



US00D794611S

(12) **United States Design Patent** (10) **Patent No.:** **US D794,611 S**
Valenzuela et al. (45) **Date of Patent:** **** *Aug. 15, 2017**

(54) **IN-EAR UTILITY DEVICE**
(71) Applicant: **SmartEar, Inc.**, San Francisco, CA (US)
(72) Inventors: **Victor M. Valenzuela**, Hayward, CA (US); **Kinuko Masaki**, San Francisco, CA (US); **Dean L. Gardner**, San Francisco, CA (US)

2,619,960 A 12/1952 Reynolds
2,678,973 A * 5/1954 Newman H04R 25/606
381/151
2,754,365 A * 7/1956 Walters H04R 1/225
181/132
2,971,065 A * 2/1961 Busse H04R 25/456
381/104
2,984,726 A * 5/1961 Roeser H01H 13/063
200/296

(Continued)

(73) Assignee: **SmartEar, Inc.**, San Francisco, CA (US)

FOREIGN PATENT DOCUMENTS

WO WO2014/138735 A1 9/2014

(*) Notice: This patent is subject to a terminal disclaimer.

OTHER PUBLICATIONS

International Search Report for PCT/US15/57998, and International Written Opinion for PCT/US15/57988, Apr. 29, 2016, 15 pages.

(Continued)

(**) Term: **15 Years**

Primary Examiner — Paula Greene

(21) Appl. No.: **29/551,932**

(22) Filed: **Jan. 19, 2016**

(74) *Attorney, Agent, or Firm* — Avancept LLC; Thomas L. Ewing

(51) **LOC (10) Cl.** **14-01**

(52) **U.S. Cl.**
USPC **D14/223**

(57) **CLAIM**

(58) **Field of Classification Search**
USPC D14/223, 188, 192, 149, 195; D24/174, D24/165, 166, 167, 168, 186, 187, 151, D24/173, 175, 107; 181/129, 130, 135; 379/430, 431; 381/72, 375, 380, 381, 381/322, 323, 328; 128/902, 903, 904, 128/664; 600/323, 474, 484, 500, 559
CPC H04R 1/10; H04R 1/1016; H04R 1/1066; H04R 25/00; H04M 1/00; A61B 5/02; A61B 5/00

The ornamental design for an in-ear utility device, as shown and described.

DESCRIPTION

See application file for complete search history.

FIG. 1 is a front perspective view of an in-ear utility device showing our new design;
FIG. 2 is a front side view thereof;
FIG. 3 is a right side perspective view thereof;
FIG. 4 is a left side perspective view thereof
FIG. 5 is a right side view thereof;
FIG. 6 is a left side view thereof;
FIG. 7 is a bottom view perspective thereof; and,
FIG. 8 is a bottom perspective view.

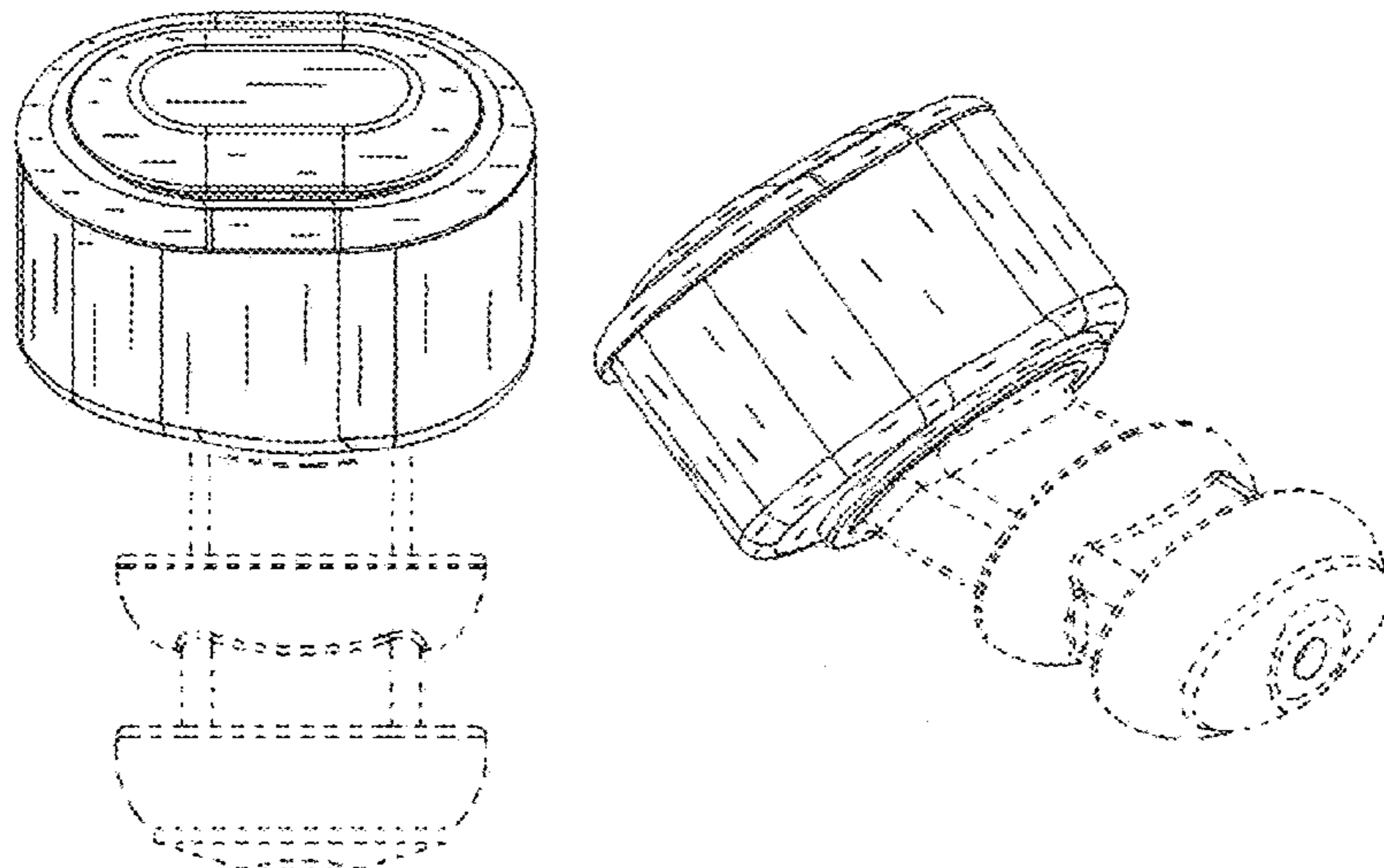
The broken lines in the Figures show portions of the ear piece which form no part of the claimed design.

(56) **References Cited**

U.S. PATENT DOCUMENTS

1,852,130 A * 4/1932 Schier H04R 25/656
381/328
2,248,837 A 7/1941 Walters

1 Claim, 4 Drawing Sheets



(56)

References Cited

U.S. PATENT DOCUMENTS

3,282,106 A * 11/1966 Barnes A61B 5/01
374/126
D207,222 S * 3/1967 Geib 381/312
D219,983 S * 2/1971 Bosch D24/174
3,815,583 A * 6/1974 Scheidt A61B 5/0002
128/903
3,983,336 A 9/1976 Malek
4,069,400 A 1/1978 Johanson
4,133,984 A 1/1979 Akiyama
4,359,708 A 11/1982 Jarosz
4,539,708 A * 9/1985 Norris H04B 1/088
455/100
4,550,227 A * 10/1985 Topholm H04R 25/60
381/322
D287,280 S 12/1986 Topholm
D287,764 S * 1/1987 Topholm D24/174
D287,765 S * 1/1987 Topholm D24/174
D300,528 S * 4/1989 Drane D13/171
5,159,936 A * 11/1992 Yelderman A61B 1/227
374/126
5,167,235 A * 12/1992 Seacord G01J 5/02
374/131
D335,349 S * 5/1993 Lyon D24/151
D374,658 S * 10/1996 Bever D13/171
D377,337 S * 1/1997 Schaeffer D13/171
5,626,139 A * 5/1997 Szeles G01J 5/04
374/131
5,812,680 A * 9/1998 Glendon H04R 25/60
381/322
D422,749 S * 4/2000 Binstock D28/8.1
D435,580 S * 12/2000 Grinkus D14/218
6,358,281 B1 3/2002 Berrang
D455,405 S * 4/2002 Bonn D13/158
D464,630 S * 10/2002 Woodworth D13/171
D469,411 S * 1/2003 Decosse D13/171
D475,996 S * 6/2003 Skulley D14/223
D481,709 S * 11/2003 Solderits D14/223
D483,281 S * 12/2003 Cobigo D10/104.1
D506,989 S * 7/2005 Seil D14/155
D519,985 S * 5/2006 Wikel D14/205
D526,990 S * 8/2006 Slevin D14/149
D529,175 S * 9/2006 Franz D24/151
7,120,267 B2 * 10/2006 Ito H04M 1/05
381/370
D532,520 S * 11/2006 Kampmeier D24/174
D536,692 S * 2/2007 Alwicker D14/188
D537,438 S * 2/2007 Hermansen D14/223
D555,146 S * 11/2007 Sandy D14/167
D568,290 S * 5/2008 Wikel D14/205
D589,152 S * 3/2009 Champkins D14/223
D596,295 S * 7/2009 Hedstrom D24/174
D601,548 S * 10/2009 Morisawa D14/223
D603,380 S * 11/2009 Hutchieson D14/223
D609,000 S * 2/2010 Portney D3/203.2
D628,565 S * 12/2010 Wu D14/223
D632,677 S * 2/2011 Brown D14/223
D635,676 S * 4/2011 Voix 24/99
D643,833 S * 8/2011 Lee D14/223
D655,277 S * 3/2012 Wai D14/223
D666,581 S 9/2012 Perez
8,275,166 B2 9/2012 Wu
D670,391 S * 11/2012 Goodman D24/174
D673,497 S * 1/2013 Rosenzweig D13/101
D674,904 S 1/2013 Aunio
D678,849 S * 3/2013 McCullar D13/168
8,389,862 B2 3/2013 Arora
D682,430 S * 5/2013 Kasic, II D24/174
D693,796 S * 11/2013 Birger D14/223

D698,026 S * 1/2014 Kuwata D24/174
8,634,918 B2 1/2014 Chambers
D705,751 S * 5/2014 Wenger D14/206
D705,760 S * 5/2014 Drambarean H04R 25/00
D14/223
8,798,298 B1 8/2014 Burns
8,855,345 B2 10/2014 Shennib
D717,443 S * 11/2014 Hughes D24/167
D719,139 S * 12/2014 Henry D14/223
D725,082 S * 3/2015 Palmborg D14/223
8,983,108 B2 3/2015 Ho
D726,165 S 4/2015 Kawaji
D726,567 S * 4/2015 De Jong D10/70
D733,102 S * 6/2015 Palmborg D14/223
D739,851 S * 9/2015 Donohue, II D14/223
D744,110 S * 11/2015 Kubo D24/186
D746,792 S * 1/2016 Kim D14/205
9,456,285 B2 9/2016 Bymaster
D770,426 S 11/2016 LaBerge
D773,437 S 12/2016 Lee
D776,281 S * 1/2017 Fyrlund D24/173
D777,710 S * 1/2017 Palmborg D14/223
D781,269 S 3/2017 Choe
2002/0181336 A1 12/2002 Shields
2003/0027606 A1 * 2/2003 Tsai H04M 1/05
455/575.2
2004/0224717 A1 * 11/2004 Hertzberg H04M 1/22
455/550.1
2004/0243204 A1 12/2004 Maghribi
2006/0045304 A1 3/2006 Lee
2006/0098833 A1 5/2006 Juneau
2007/0154030 A1 7/2007 Moses
2007/0154049 A1 7/2007 Levitsky
2008/0063231 A1 3/2008 Juneau
2009/0143096 A1 6/2009 Chang
2010/0002402 A1 1/2010 Rogers
2011/0002498 A1 1/2011 Wong
2011/0224493 A1 9/2011 Oyadiran
2012/0114160 A1 * 5/2012 Lin H04R 1/1091
381/380
2012/0300965 A1 11/2012 Samuels
2013/0142363 A1 6/2013 Amento
2013/0339025 A1 12/2013 Suhami
2014/0112520 A1 4/2014 Knudsen
2014/0169599 A1 6/2014 Solum
2014/0172042 A1 6/2014 Goorevich
2014/0301561 A1 10/2014 Silberman
2014/0303452 A1 10/2014 Ghaffari
2015/0183167 A1 7/2015 Molinari
2015/0230022 A1 8/2015 Sakai
2015/0261298 A1 9/2015 Li
2016/0049074 A1 2/2016 Shennib
2016/0057550 A1 2/2016 Shennib
2016/0162256 A1 6/2016 Komaromi
2016/0192050 A1 6/2016 Masaki
2016/0206000 A1 7/2016 Lord

OTHER PUBLICATIONS

“Wireless Headphones | Koss Striva Tap Wi-Fi Earbuds” by Mila Pantovich Jun. 8, 2012, JustLuxe, pp. 1-3, <http://www.justluxe.com/lifestyle/electronics/feature-1780526.php> (retrieved Apr. 16, 2017).
“Here Active Listening earbuds: Augmented reality for your ears (hands-on)” by Will Shanklin, Jan. 13, 2016, pp. 1-4, <http://newatlas.com/doppler-labs-here-earbuds-hands-on/41322/> (retrieved Apr. 16, 2017).
Nap Zapper Anti-Sleep Alarm, Amazon, pp. 1-6, <https://www.amazon.com/Generic-Nap-Zapper-Anti-Sleep-Alarm/dp/B000BK4KW8> (retrieved Apr. 16, 2017).

* cited by examiner

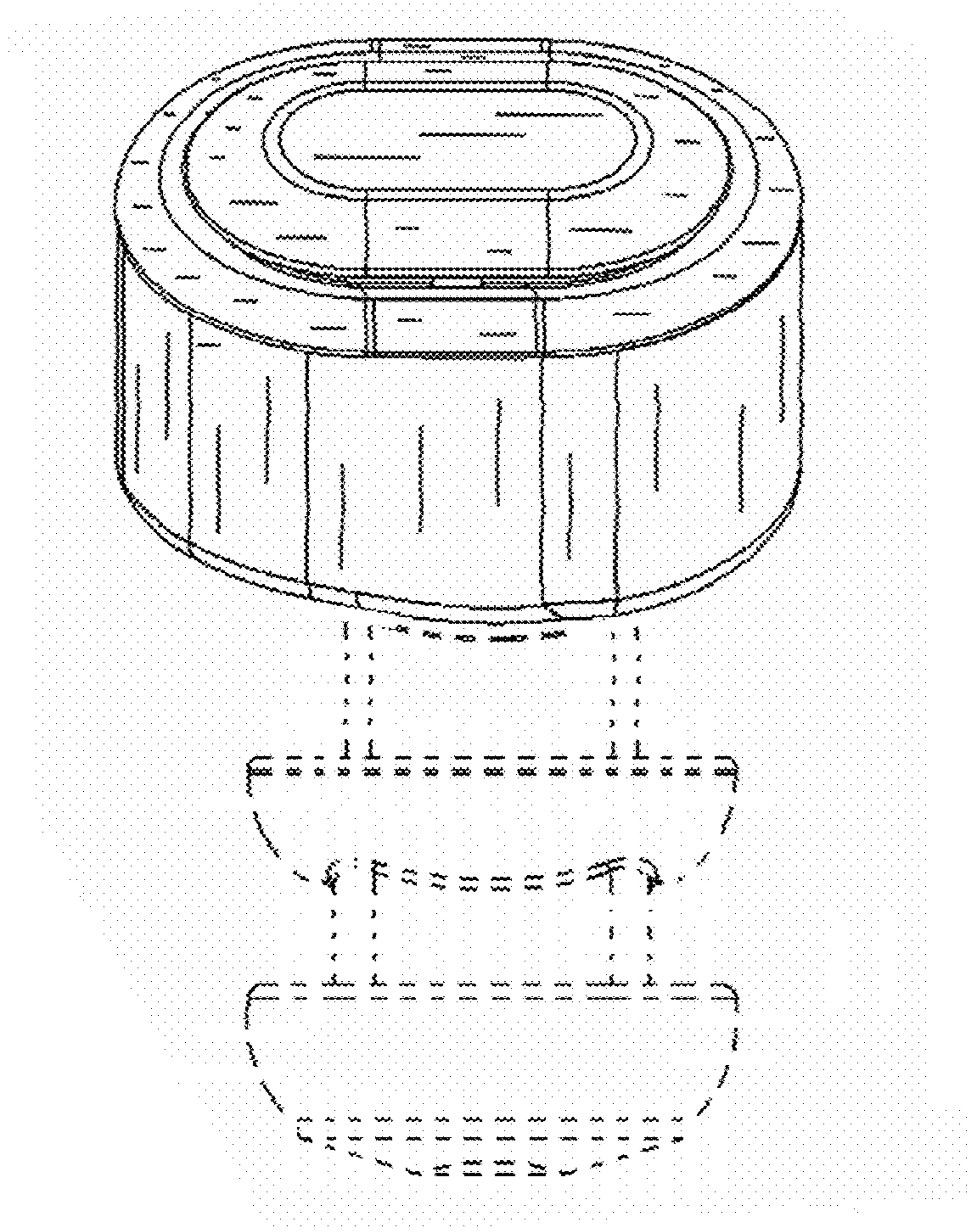


FIG. 1

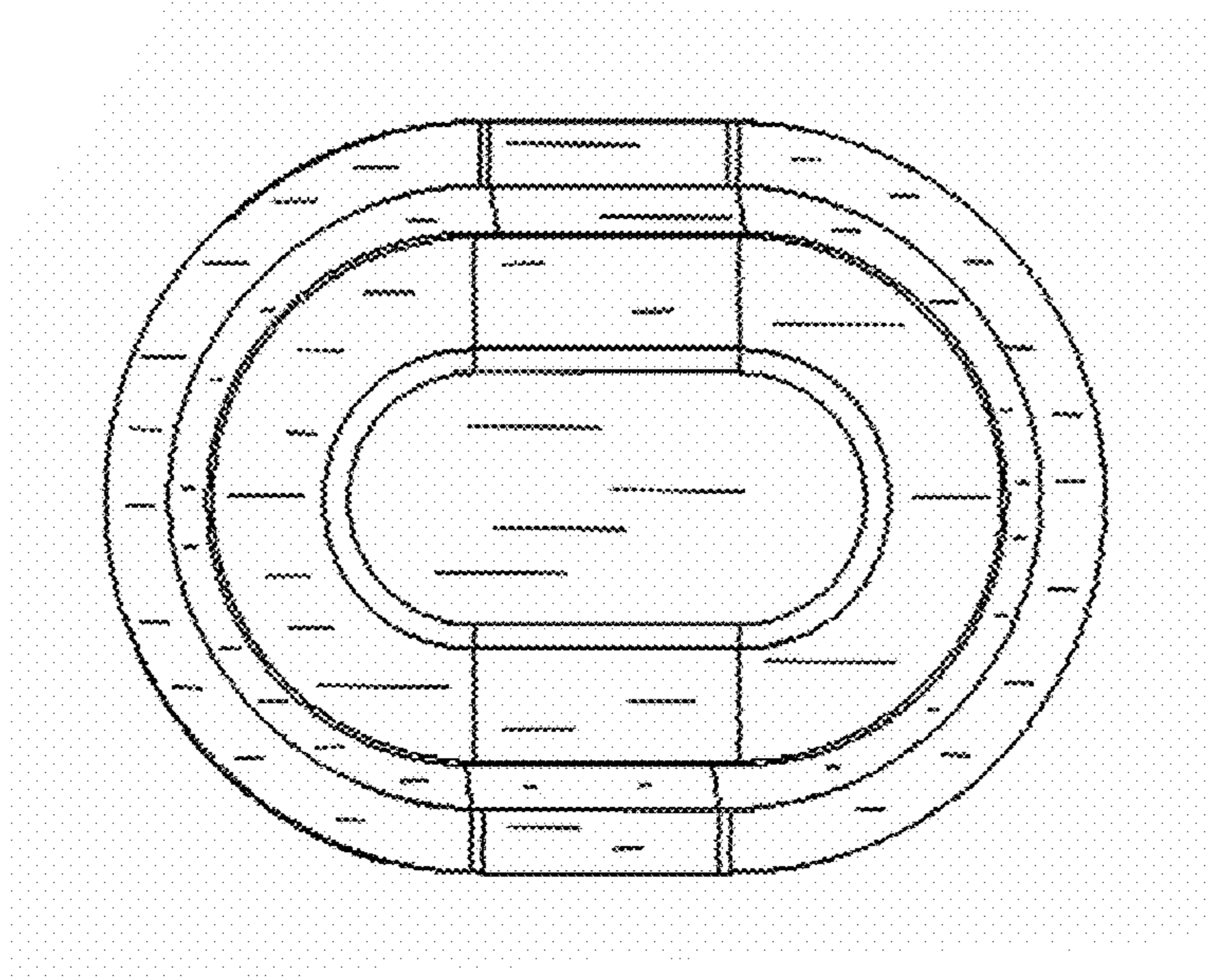


FIG. 2

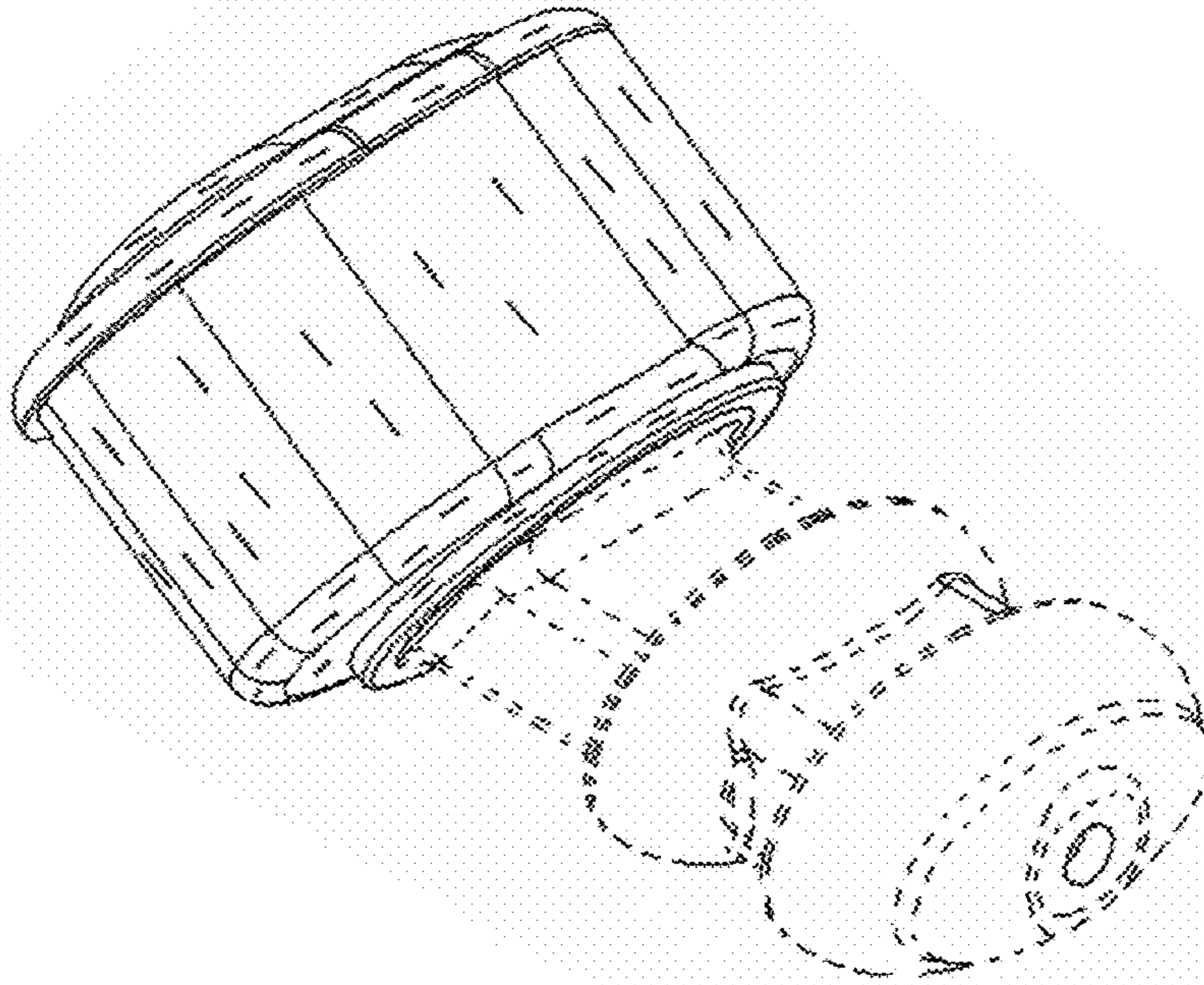


FIG. 3

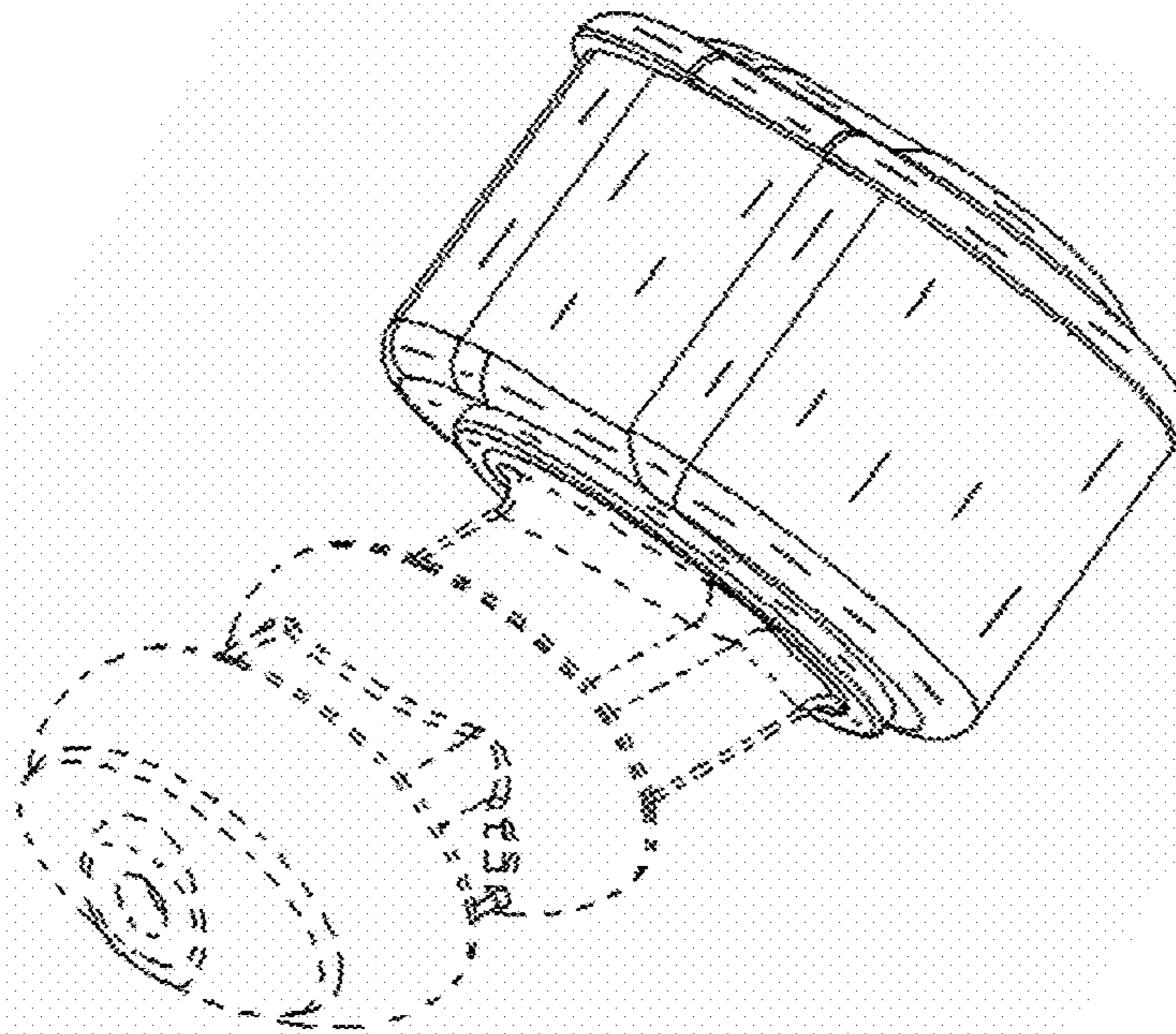


FIG. 4

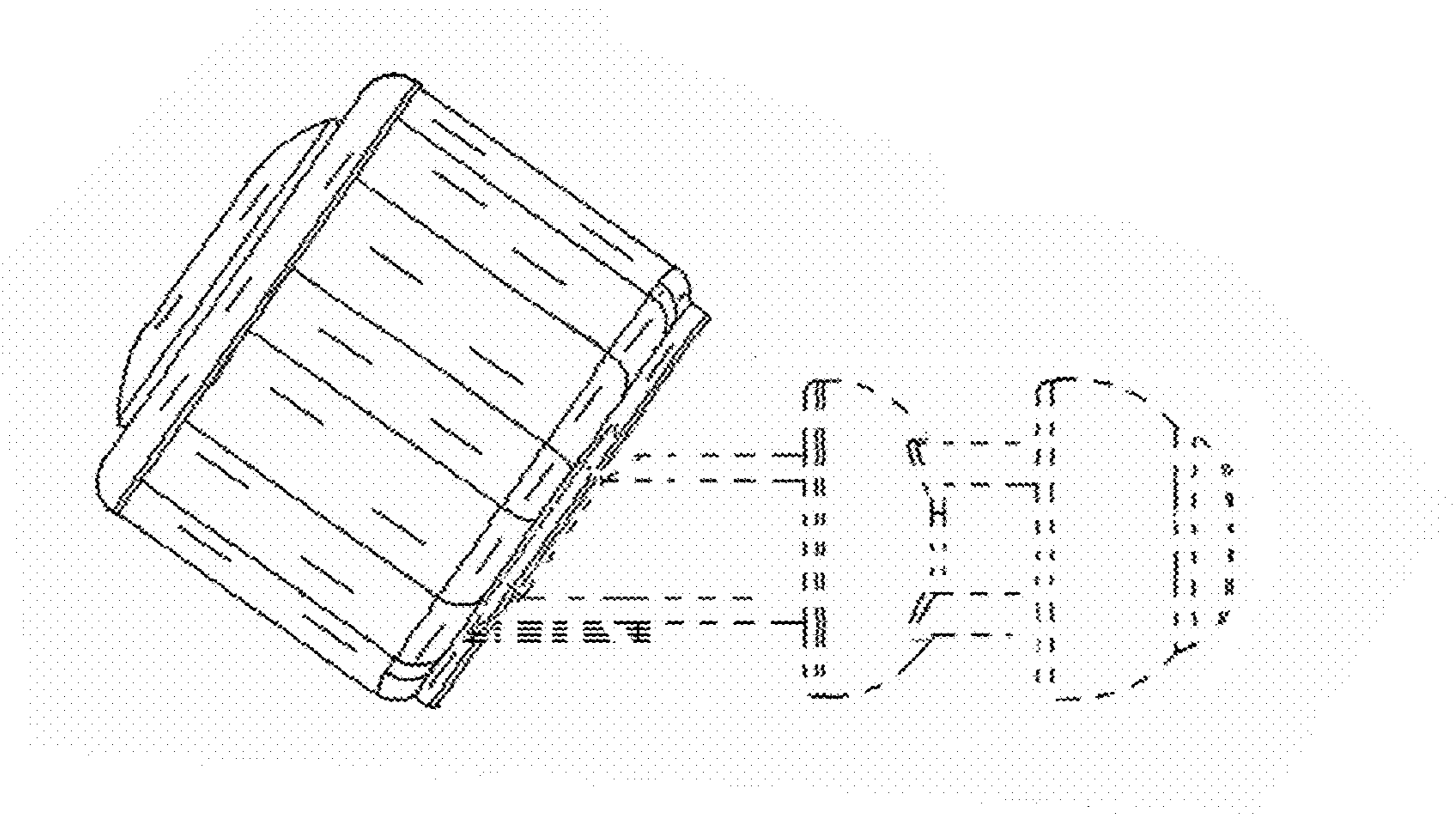


FIG. 5

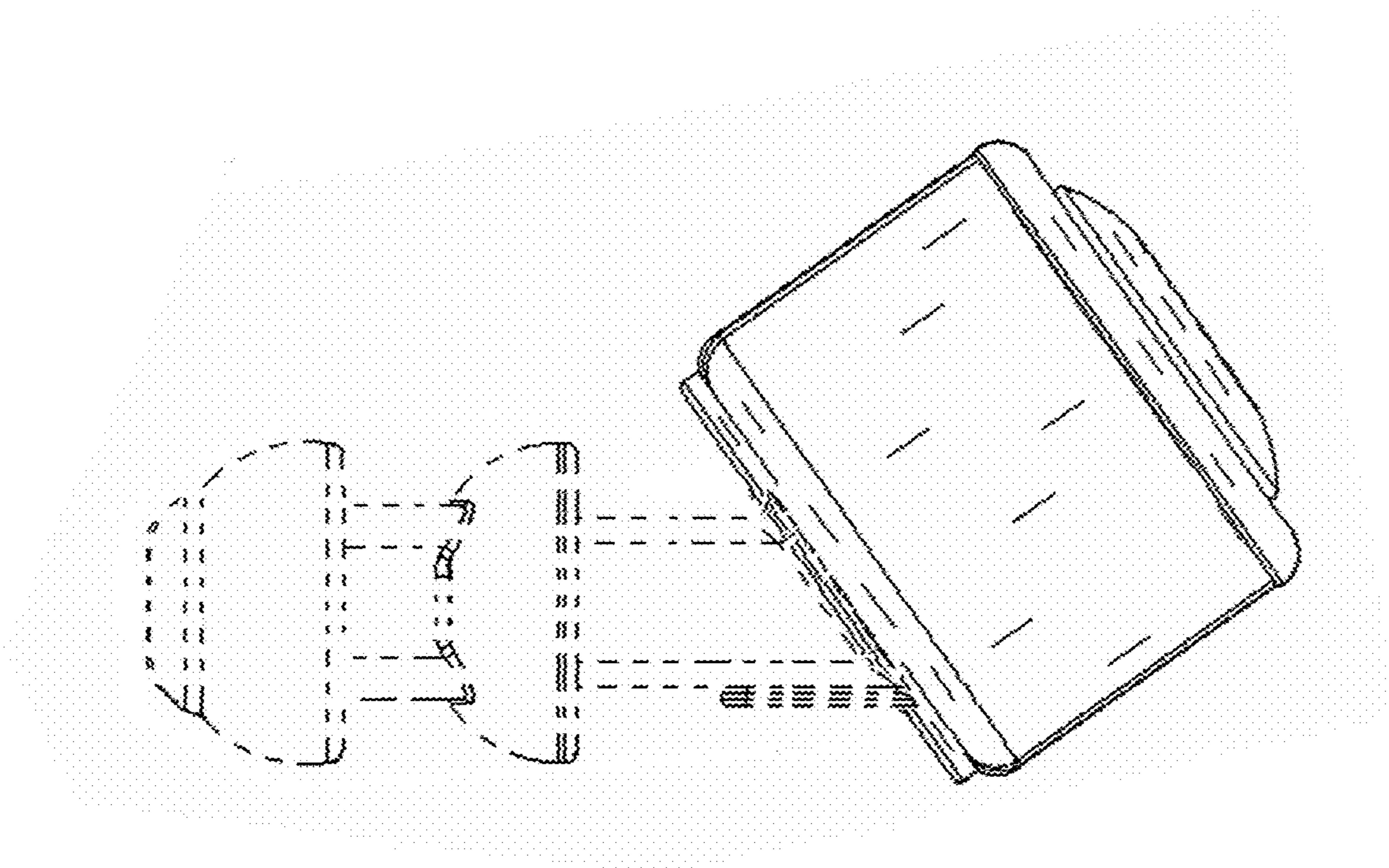


FIG. 6

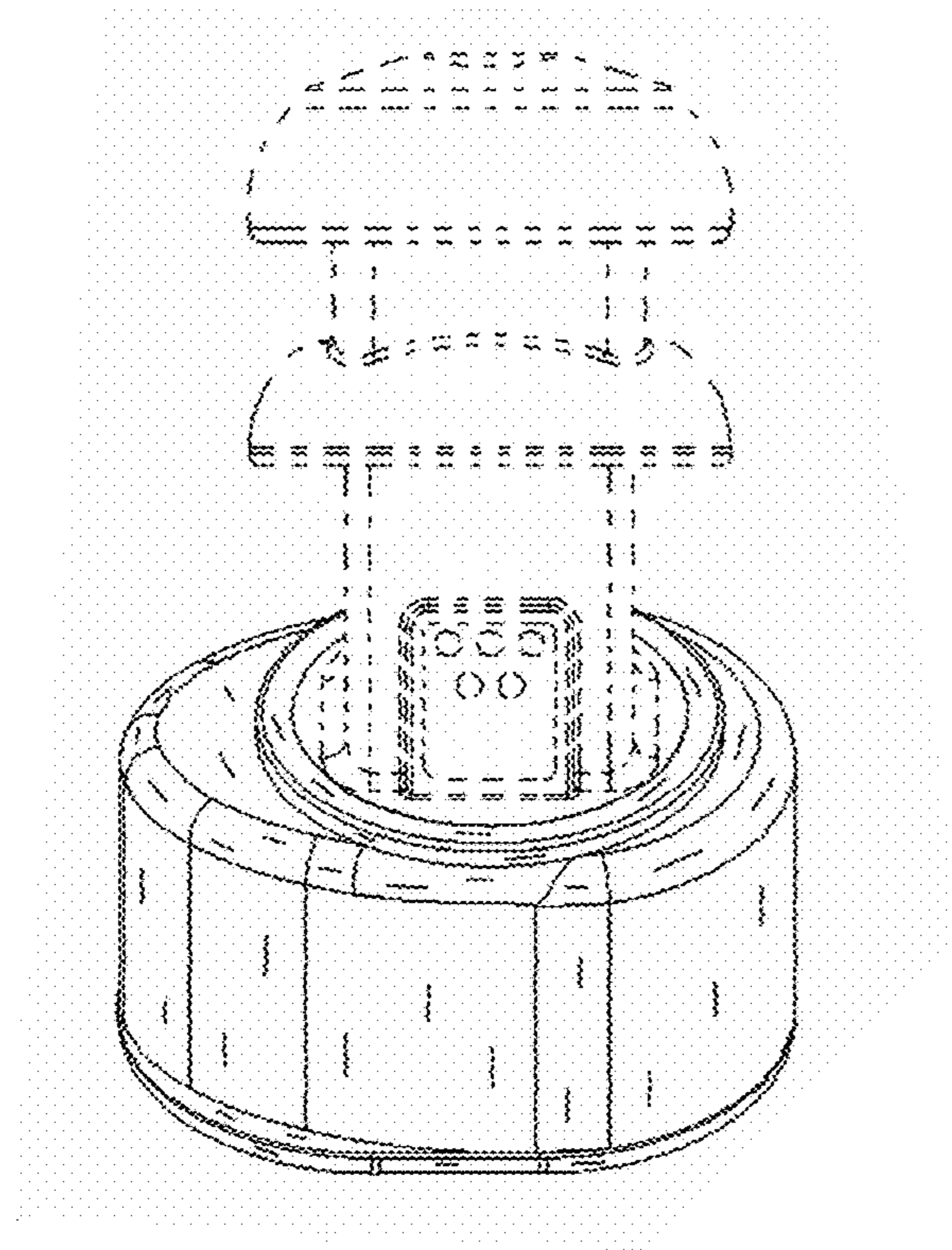


FIG. 7

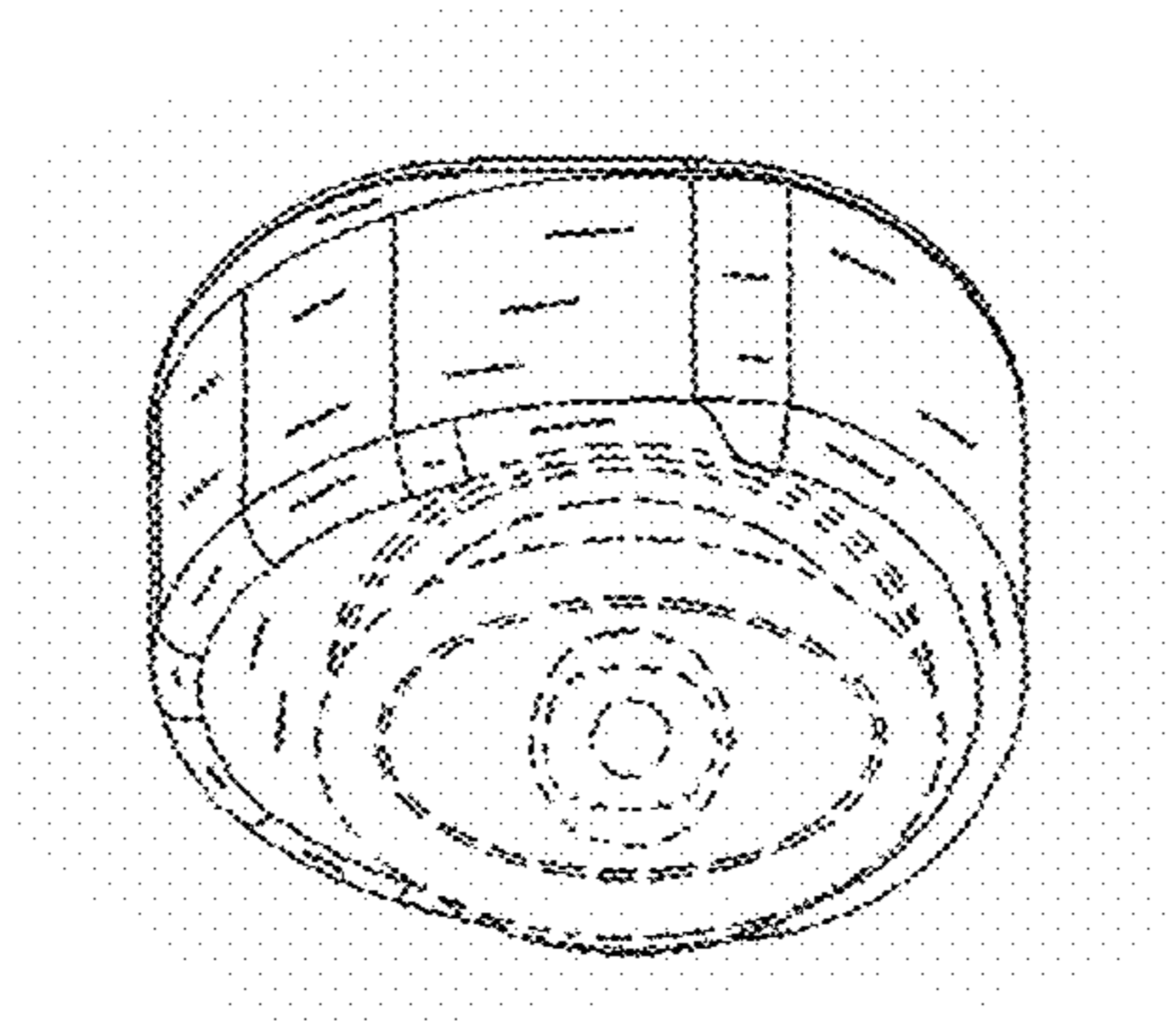


FIG. 8