



US00D794609S

(12) **United States Design Patent**
Meyer et al.

(10) **Patent No.:** **US D794,609 S**

(45) **Date of Patent:** **** Aug. 15, 2017**

(54) **AUDIO CONTROL DEVICE**

(71) Applicant: **KINGSTON DIGITAL, INC.**,
Fountain Valley, CA (US)

(72) Inventors: **Julia Meyer**, Munich (DE); **Manuel Gattinger**, München (DE); **Dominik Schütz**, München (DE); **Christian Stapelbroek**, Wuppertal (DE); **Baron K. Lee**, Fountain Valley, CA (US); **Guan-Hua Tzeng**, Hsinchu (TW); **Yu-kuo Huang**, Hsinchu (TW); **Peter Leekuo Chou**, Fountain Valley, CA (US)

(73) Assignee: **Kingston Digital, Inc.**, Fountain Valley, CA (US)

(**) Term: **15 Years**

(21) Appl. No.: **29/563,300**

(22) Filed: **May 4, 2016**

(30) **Foreign Application Priority Data**

Nov. 4, 2015 (TW) 104306158

(51) **LOC (10) Cl.** **14-03**

(52) **U.S. Cl.**
USPC **D14/218**

(58) **Field of Classification Search**
USPC D14/218; D13/168
See application file for complete search history.

(56) **References Cited**

U.S. PATENT DOCUMENTS

D344,524 S * 2/1994 Taniguchi D14/205
D376,114 S * 12/1996 Seki D10/104.1
5,606,305 A * 2/1997 Jan A01M 29/18
340/384.2
D503,687 S * 4/2005 Hoffman D13/168

D505,118 S * 5/2005 Arz D13/168
D510,046 S * 9/2005 Li D10/106.1
D524,255 S * 7/2006 Geringer D13/168

(Continued)

FOREIGN PATENT DOCUMENTS

EM 000433586-0004 * 2/2006

OTHER PUBLICATIONS

HyperX gaming headset datasheet, copyright 2017, https://www.hyperxgaming.com/datasheets/HX-HSCRS-GM_us.pdf, site visited Mar. 28, 2017.*

Primary Examiner — John Windmuller

Assistant Examiner — John R Yeh

(74) *Attorney, Agent, or Firm* — Skaar Ulbrich Macari, P.A.

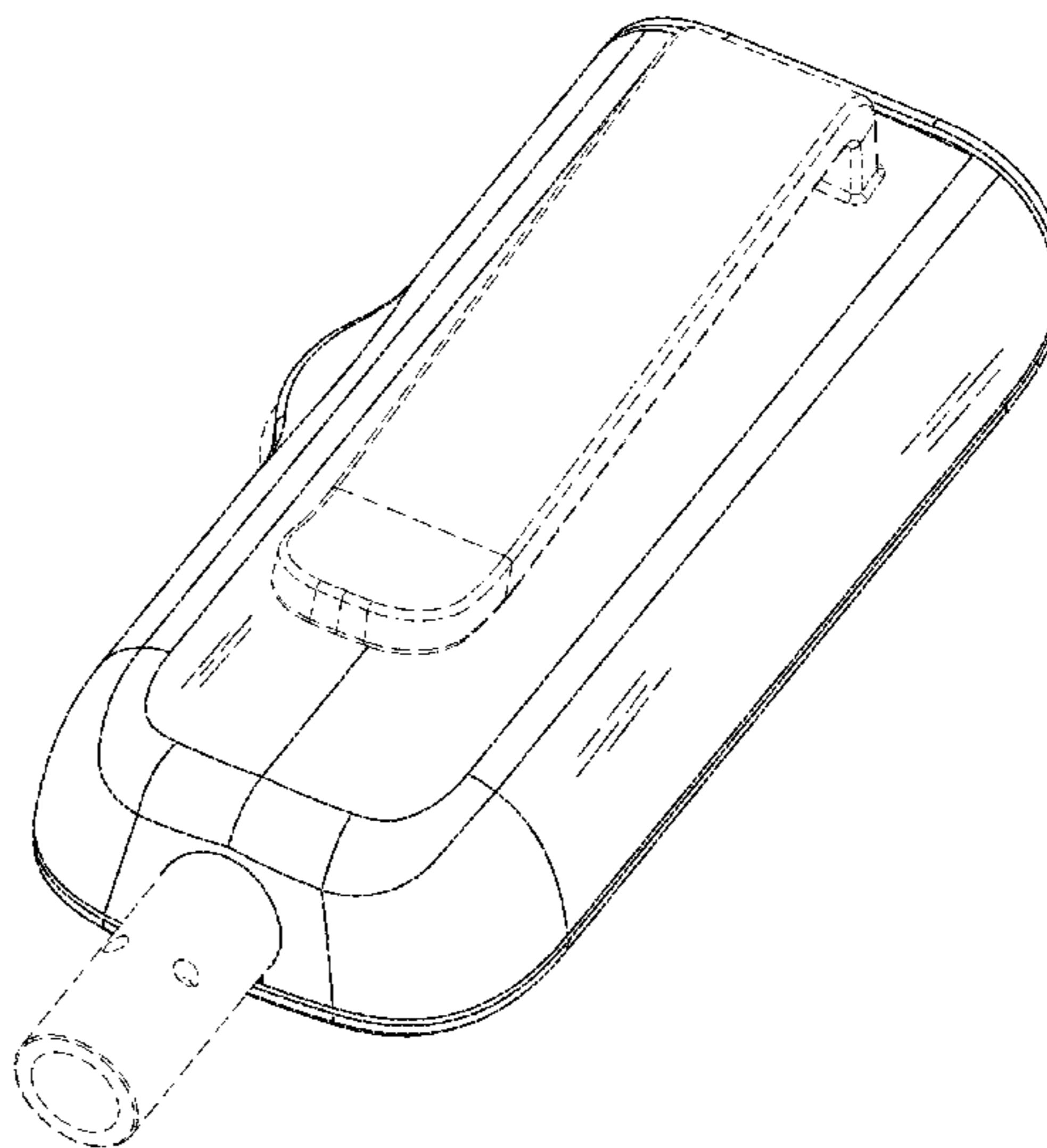
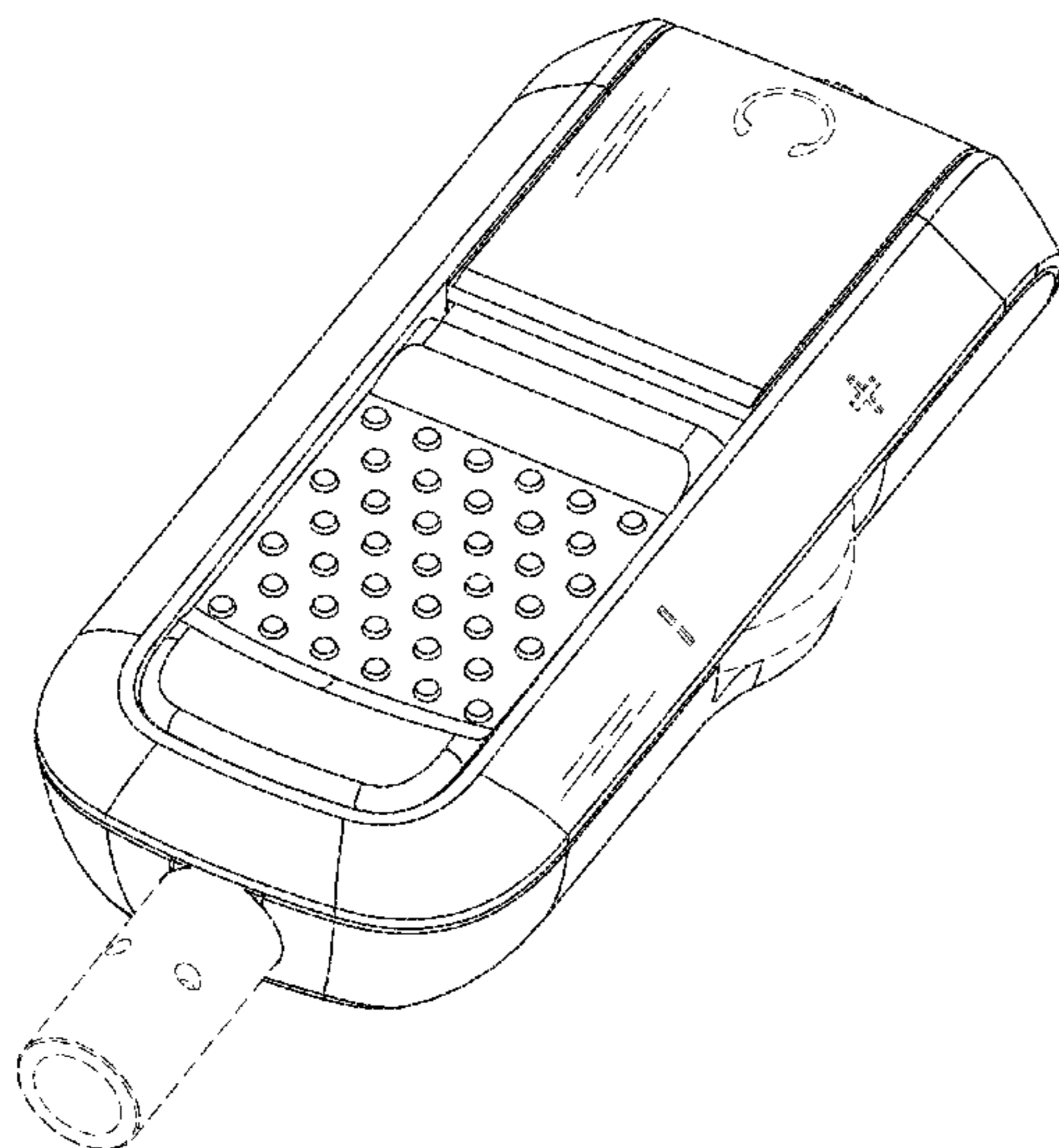
(57) **CLAIM**

We claim an ornamental design for an audio control device, as shown and described.

DESCRIPTION

FIG. 1 is a perspective view of an audio control device showing the claimed design;
FIG. 2 is another perspective view of FIG. 1;
FIG. 3 is a front elevational view of FIG. 1;
FIG. 4 is a rear elevational view of FIG. 1;
FIG. 5 is a left side elevational view of FIG. 1;
FIG. 6 is a right side elevational view of FIG. 1;
FIG. 7 is a top plan view of FIG. 1;
FIG. 8 is a bottom plan view of FIG. 1;
FIG. 9 is a perspective view showing the audio control device of the claimed design in the first usage state; and,
FIG. 10 is a perspective view showing the audio control device of the claimed design in the second usage state.
The broken lines in the drawings represent portions of the audio control device that form no part of the claimed design.

1 Claim, 7 Drawing Sheets



(56)

References Cited

U.S. PATENT DOCUMENTS

D545,166 S *	6/2007	Laaper	D14/480.3
D545,467 S *	6/2007	Chun	D26/37
D550,654 S *	9/2007	Miyawaki	D14/218
D561,703 S *	2/2008	Shimokawa	D13/168
D619,546 S *	7/2010	Chiu	D13/168
D644,632 S *	9/2011	Chiu	D14/218
D657,755 S *	4/2012	Onoda	D13/168
D667,382 S *	9/2012	Cosentino	D13/168
D670,043 S *	10/2012	Goldman	D30/155
D712,380 S *	9/2014	Hwang	D14/218
D720,304 S *	12/2014	Haug	D13/168
D743,381 S *	11/2015	Pi	D14/218
D747,293 S *	1/2016	Mistry	D13/168
D772,201 S *	11/2016	Lepchenske	D14/218
D778,264 S *	2/2017	Stapelbroek	D14/218
D778,877 S *	2/2017	Lin	D14/218

* cited by examiner

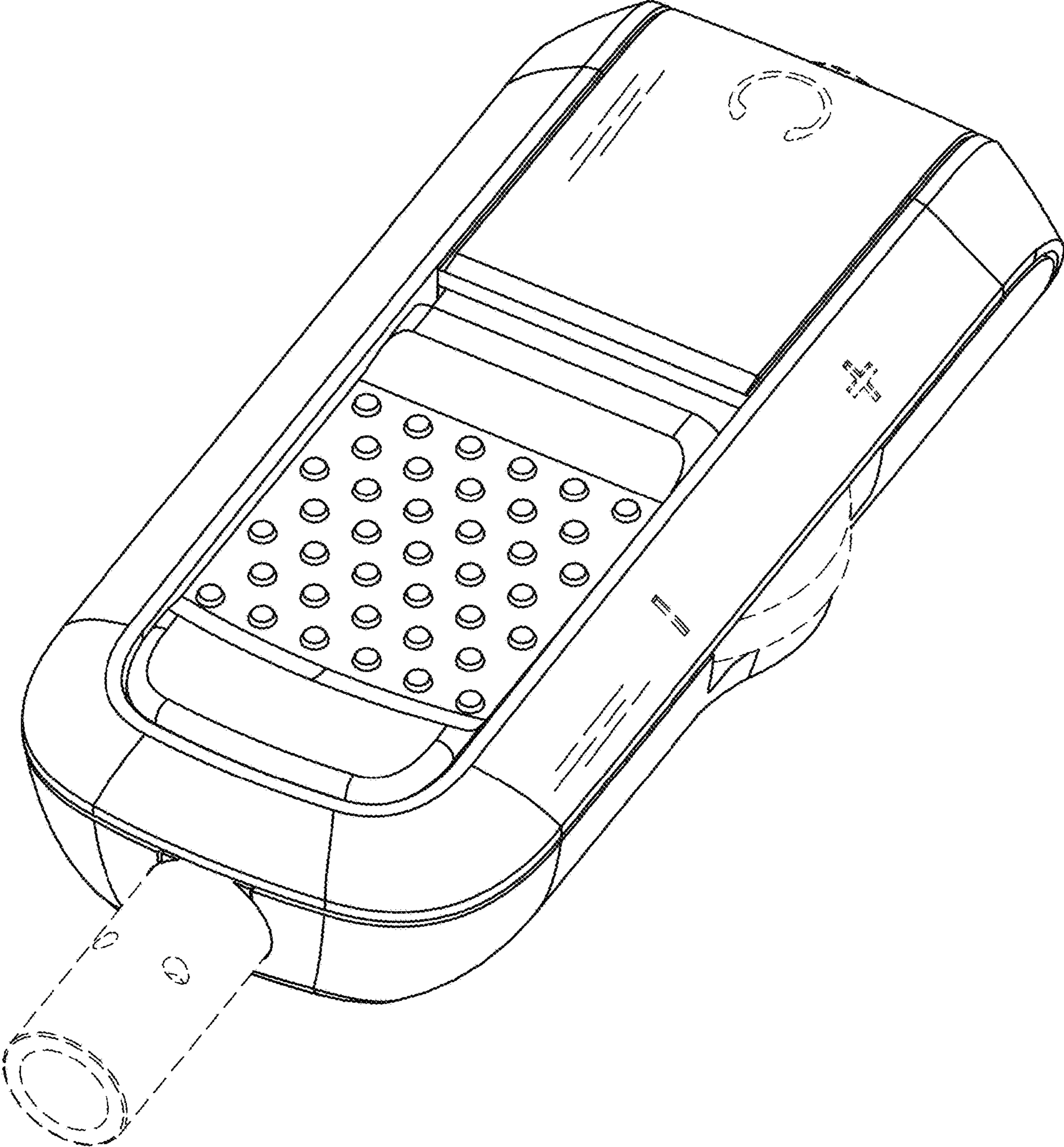


FIG.1

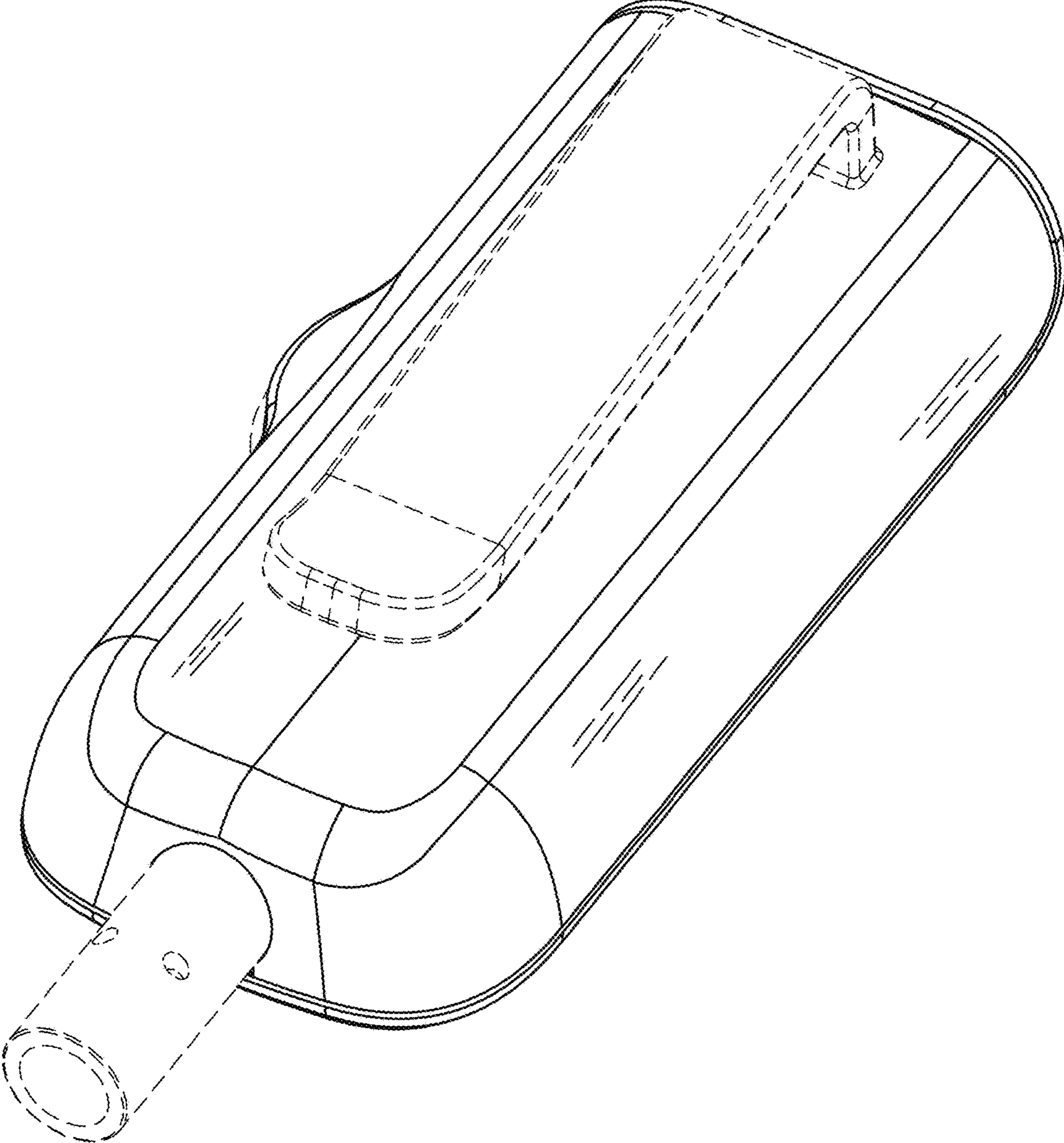


FIG.2

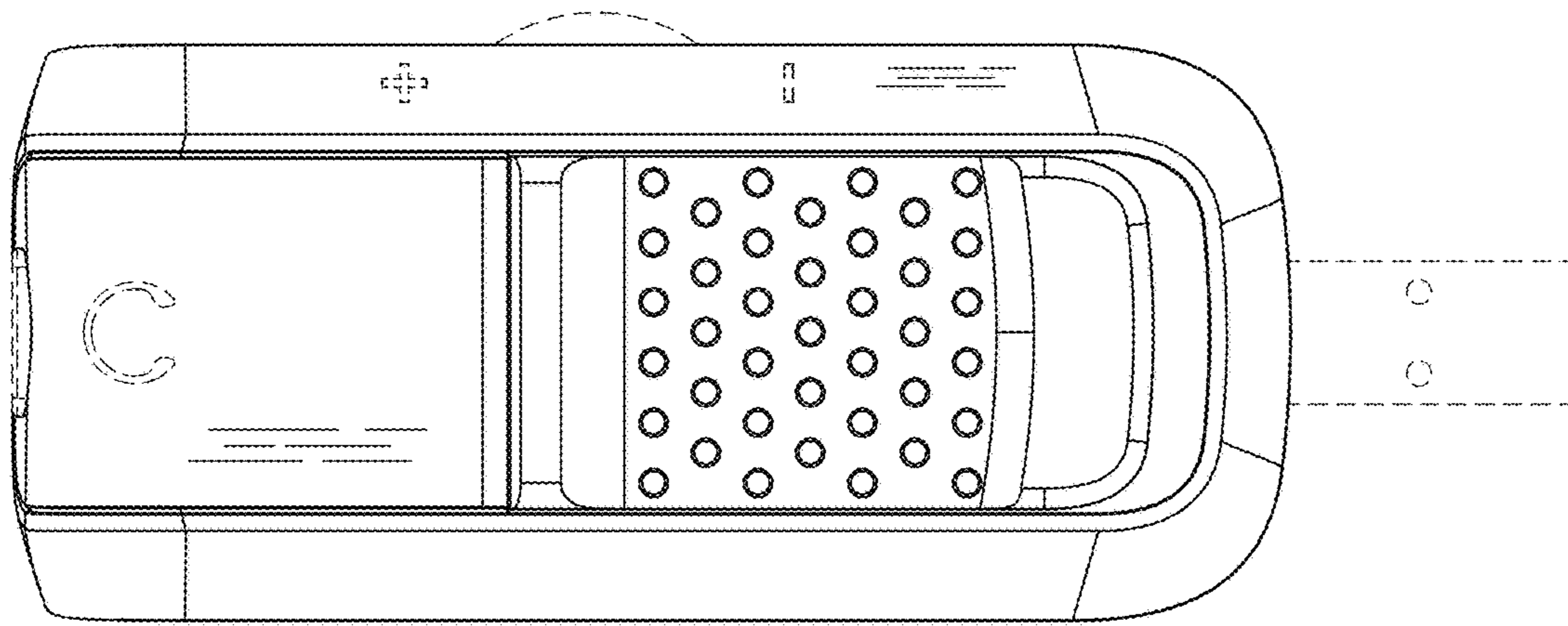


FIG.3

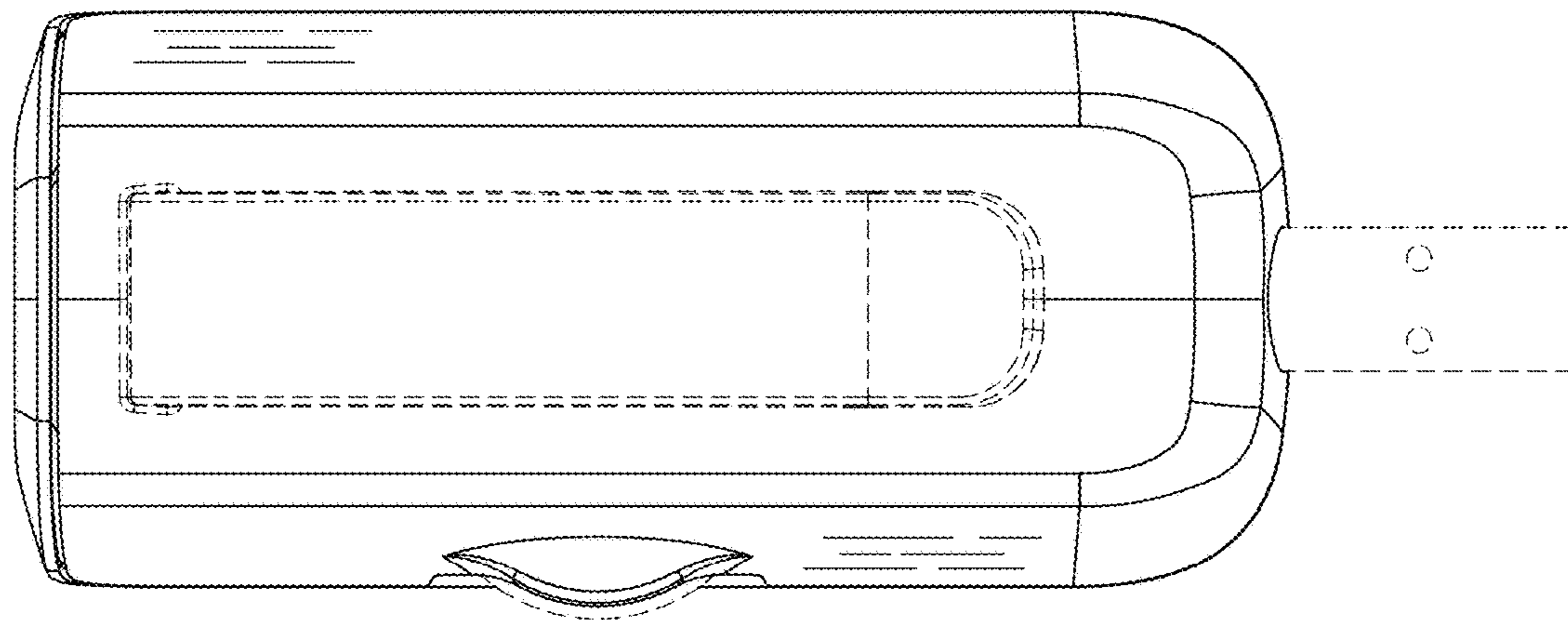


FIG.4

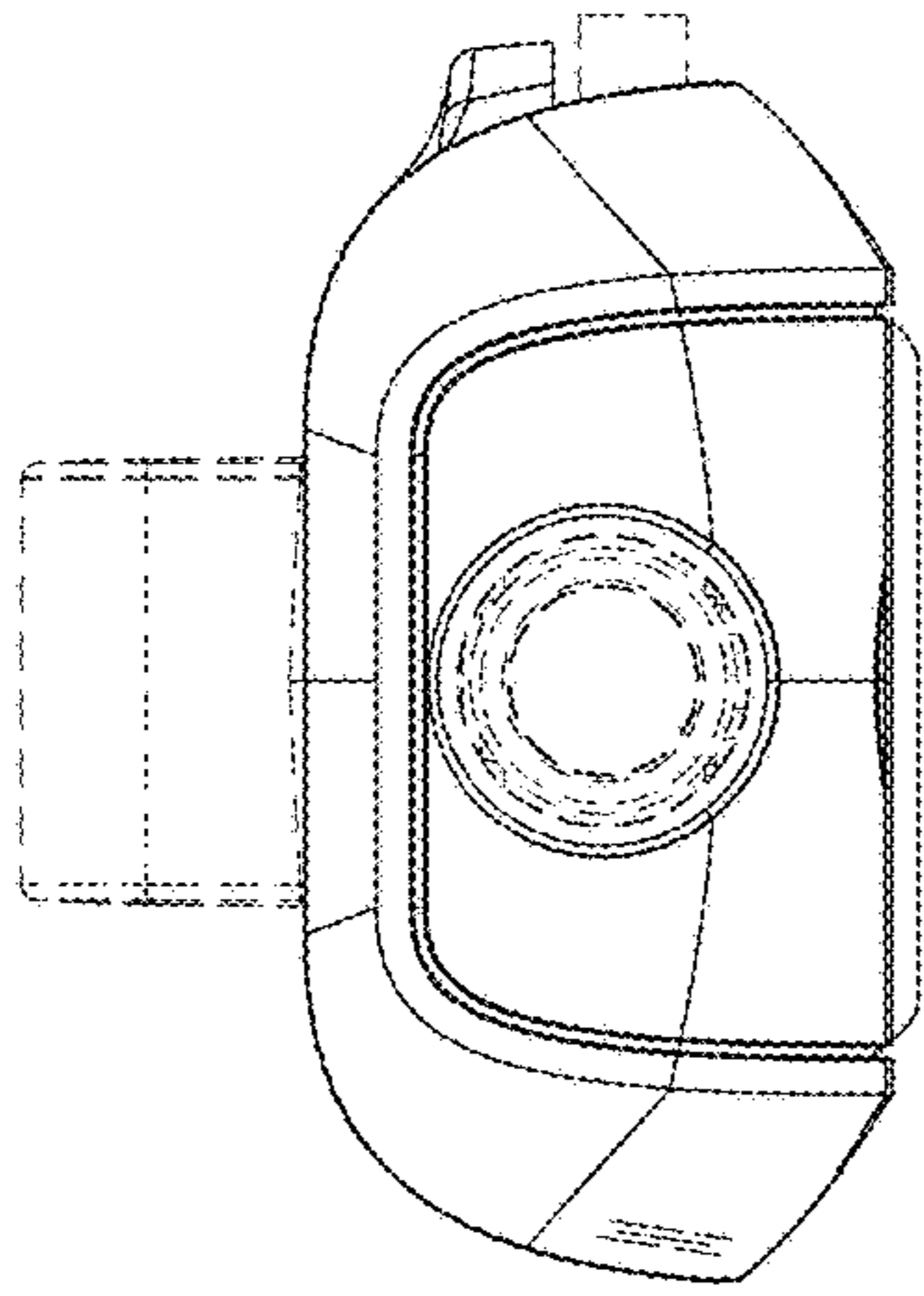


FIG.5

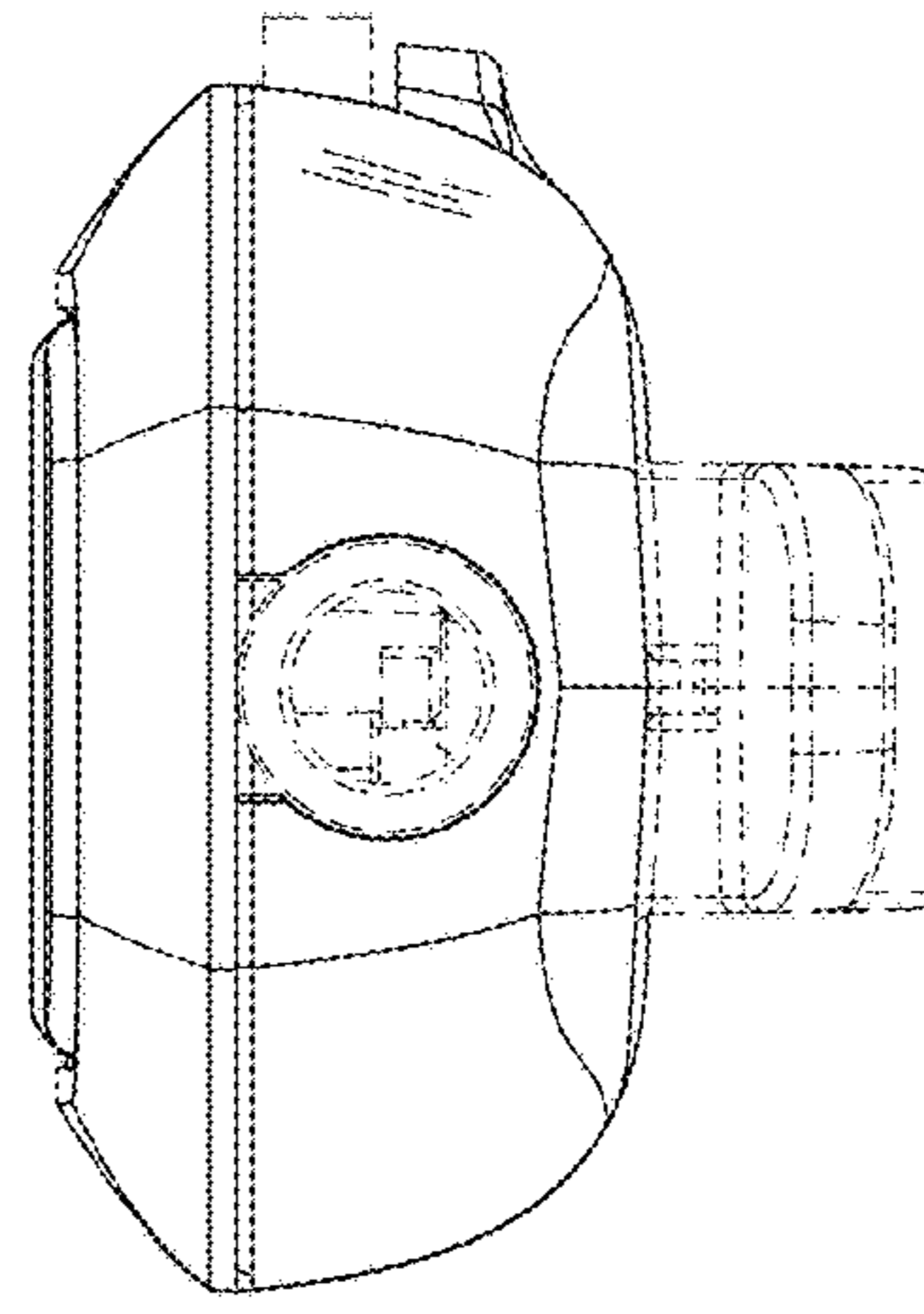


FIG.6

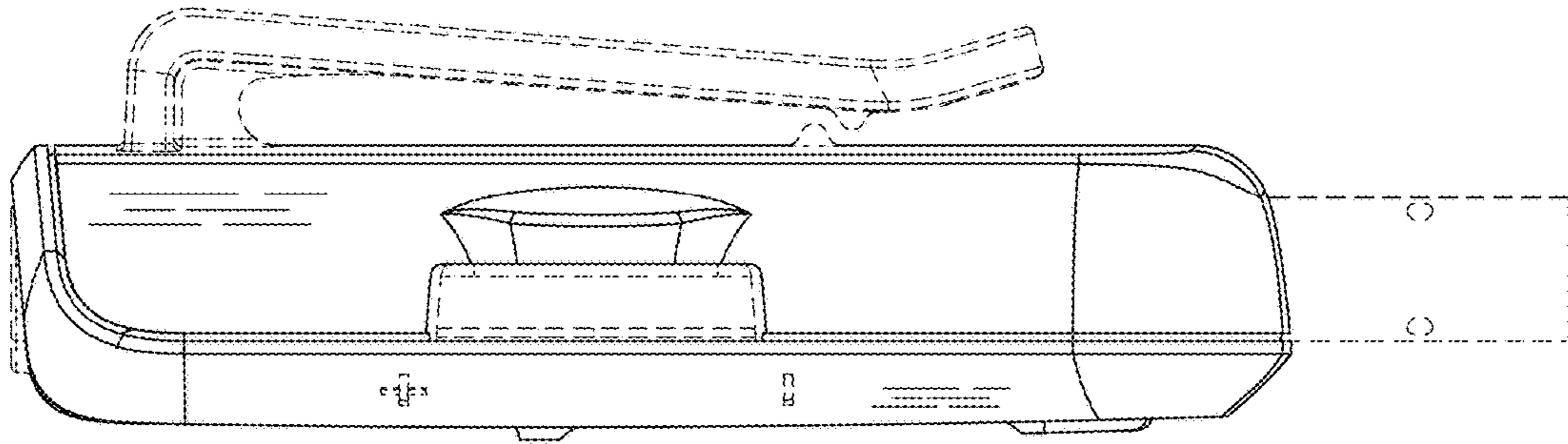


FIG. 7

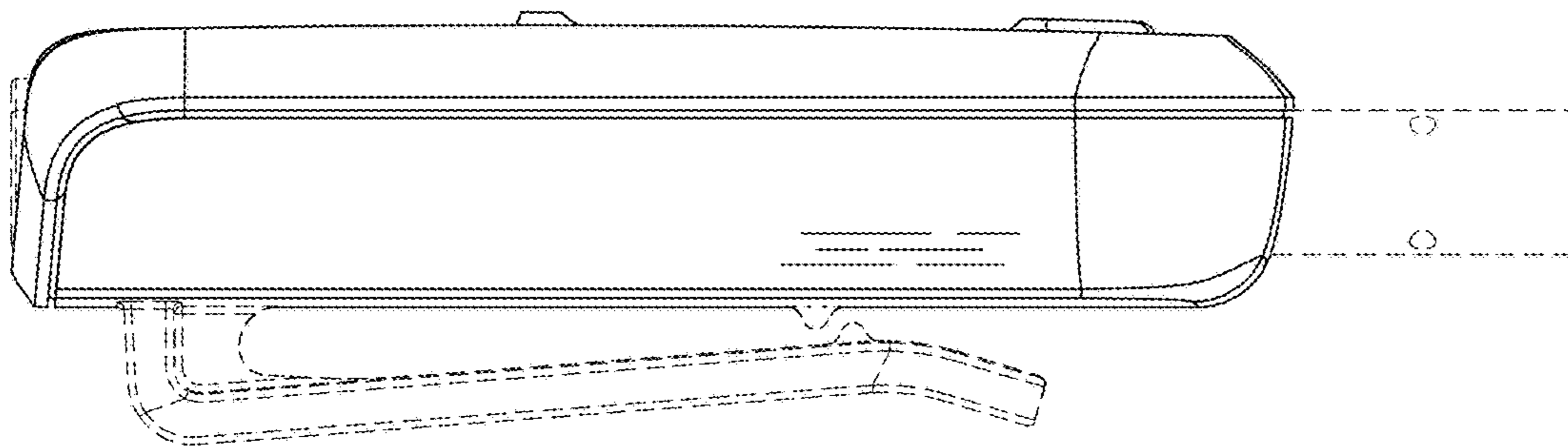


FIG. 8

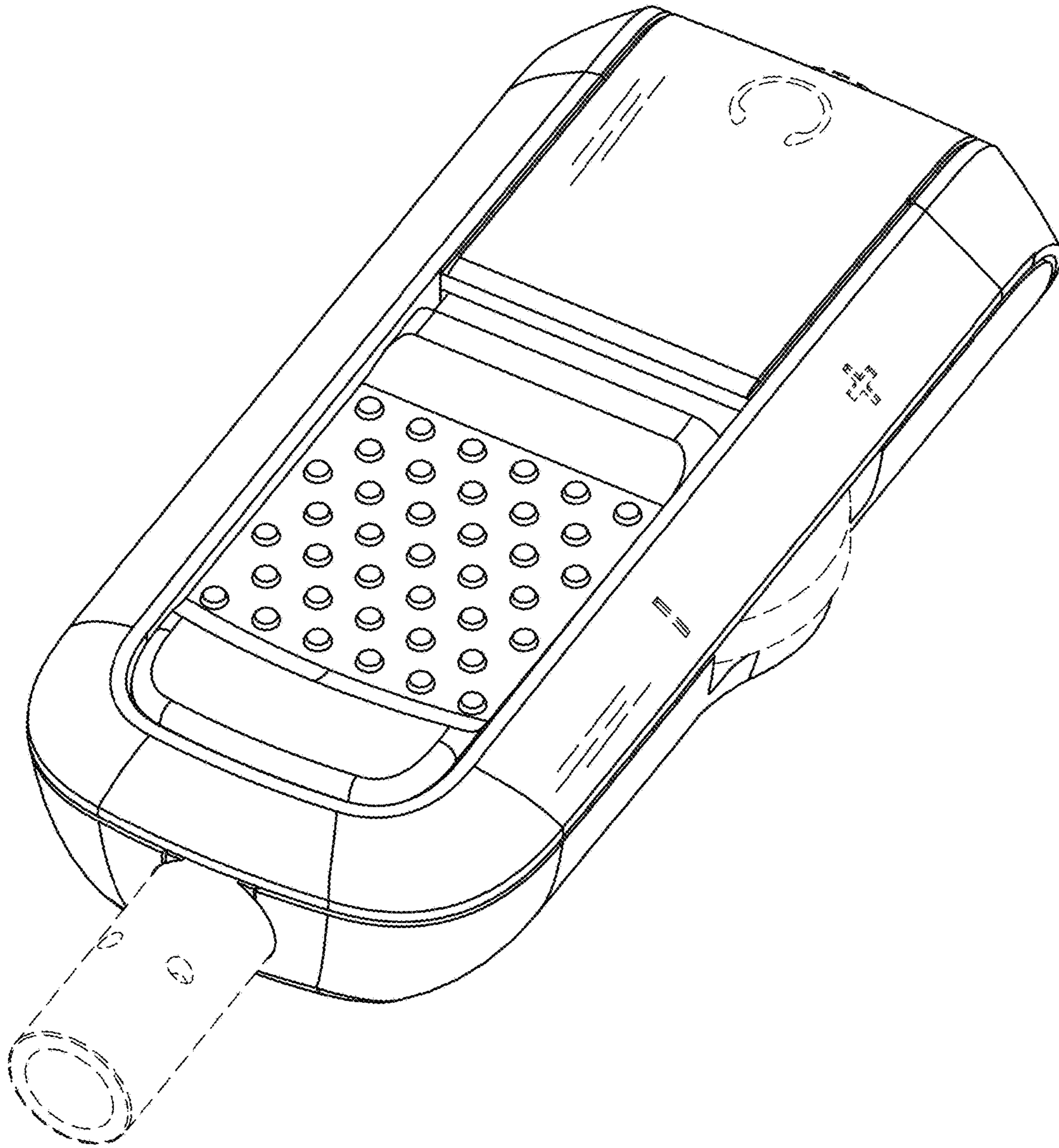


FIG.9

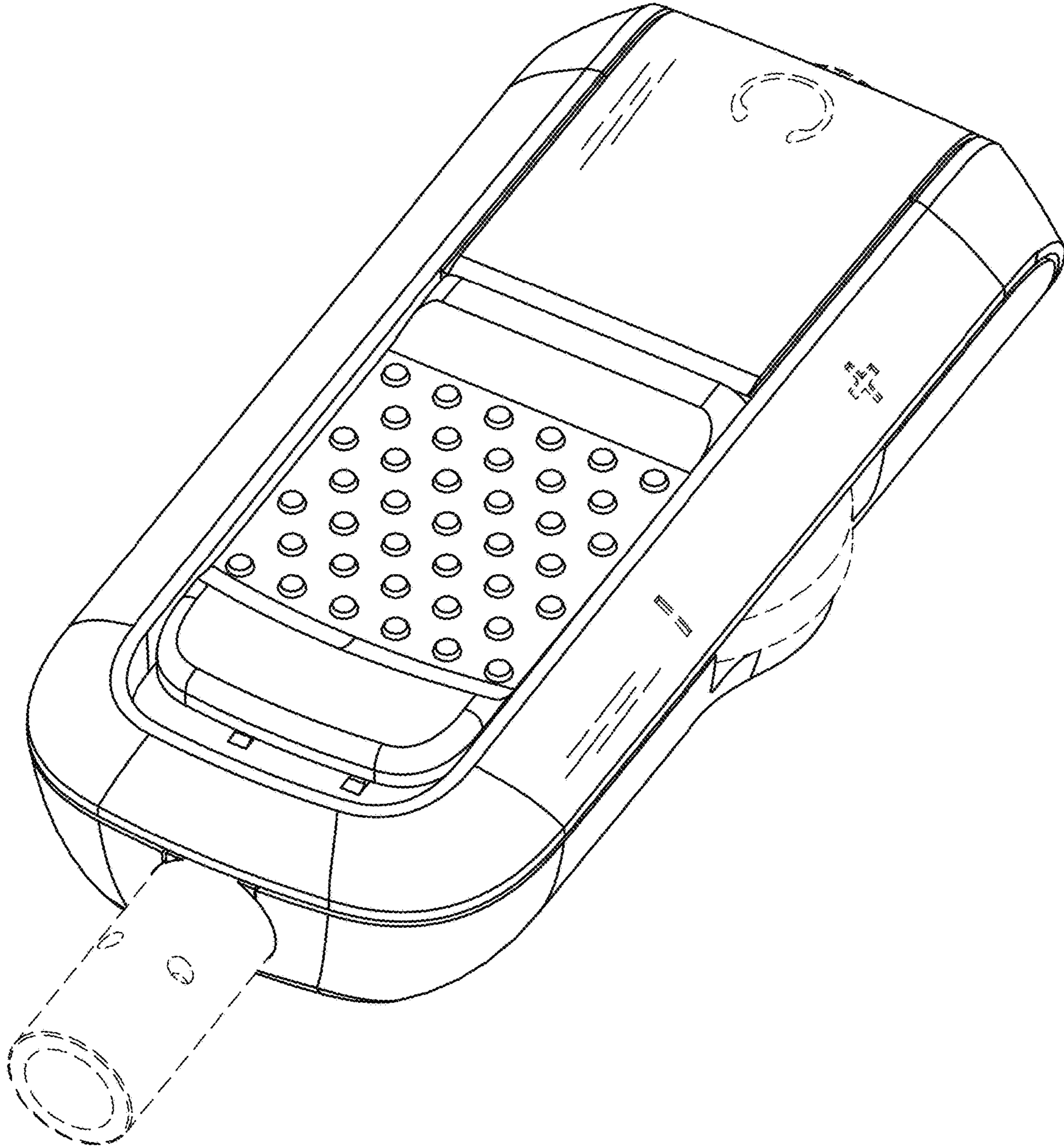


FIG.10