



US00D794607S

(12) **United States Design Patent**
Srour

(10) **Patent No.:** **US D794,607 S**

(45) **Date of Patent:** **** Aug. 15, 2017**

(54) **PHONE ACCESSORY**

(71) Applicant: **Ikey Srour**, Brooklyn, NY (US)

(72) Inventor: **Ikey Srour**, Brooklyn, NY (US)

(**) Term: **15 Years**

(21) Appl. No.: **29/597,834**

(22) Filed: **Mar. 21, 2017**

(51) **LOC (10) Cl.** **14-03**

(52) **U.S. Cl.**
USPC **D14/217**

(58) **Field of Classification Search**

USPC D14/217, 250, 251, 252, 253, 451, 452,
D14/440, 434, 447, 458, 432, 439, 457,
D14/460, 238.1, 140, 142, 149, 148
CPC .. H04M 1/04; H04M 1/6075; H04M 1/72569;
H04M 1/72577; H04M 17/026; H04M
1/006; H04M 1/0214; H04M 1/0233;
H04M 1/0254; H04M 1/0264; H04M
1/0279; H04M 1/18; H04M 1/6091;
H04M 1/723; H04M 1/725; H04M
2207/206; H04M 2250/16

See application file for complete search history.

(56) **References Cited**

U.S. PATENT DOCUMENTS

D475,696 S	6/2003	Hussaini et al.	
D489,051 S	4/2004	Shiraki et al.	
D492,944 S	7/2004	Drakoulis et al.	
D516,577 S	3/2006	Matsuoka	
D521,499 S	5/2006	Takita et al.	
D525,612 S	7/2006	Densho	
D531,618 S	11/2006	Kennemer et al.	
D560,116 S *	1/2008	Brassard	D14/251
D590,238 S *	4/2009	Richter	D8/363
D601,366 S	10/2009	Barabas et al.	
D605,188 S *	12/2009	Martinez	D14/253
D618,692 S	6/2010	Deutsch et al.	

D619,559 S	7/2010	Voorhees
D626,935 S	11/2010	Ohtani et al.
D627,330 S	11/2010	Otsuka
D633,477 S	3/2011	Lorenzo
D637,583 S	5/2011	Beal et al.
7,987,148 B2	7/2011	Hangartner et al.
D647,881 S	11/2011	Warner
D647,892 S	11/2011	Ragde, Jr.
D650,371 S	12/2011	Wibby et al.
D652,825 S	1/2012	Bau
D652,836 S	1/2012	Voorhees
D654,054 S	2/2012	Kohte et al.
D655,692 S	3/2012	Silverman et al.
D656,135 S	3/2012	Swartz et al.
D656,926 S	4/2012	Jones, III et al.
D656,927 S	4/2012	Jones, III et al.
D656,928 S	4/2012	Jones, III et al.
D658,164 S	4/2012	Chan
D660,306 S	5/2012	Voorhees
D681,020 S	4/2013	Magness et al.
D681,612 S	5/2013	Palacios

(Continued)

Primary Examiner — Ian Simmons

Assistant Examiner — Khawaja Anwar

(74) *Attorney, Agent, or Firm* — Michael J. Feigin, Esq.;
Feigin & Fridman

(57) **CLAIM**

The ornamental design for a phone accessory, as shown and described.

DESCRIPTION

FIG. 1 shows a top and side perspective view of a phone accessory.

FIG. 2 shows a bottom and reverse side perspective view thereof.

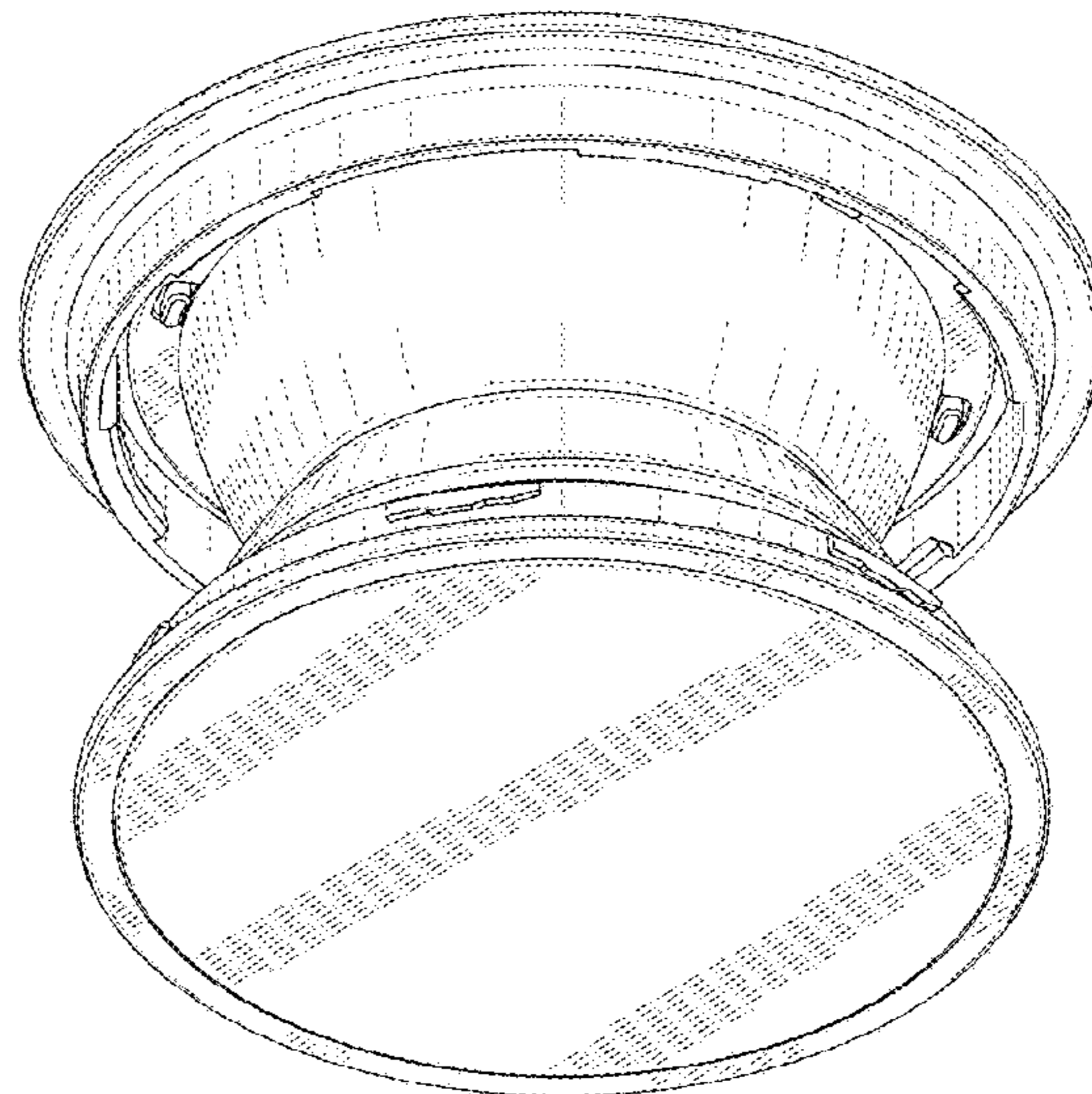
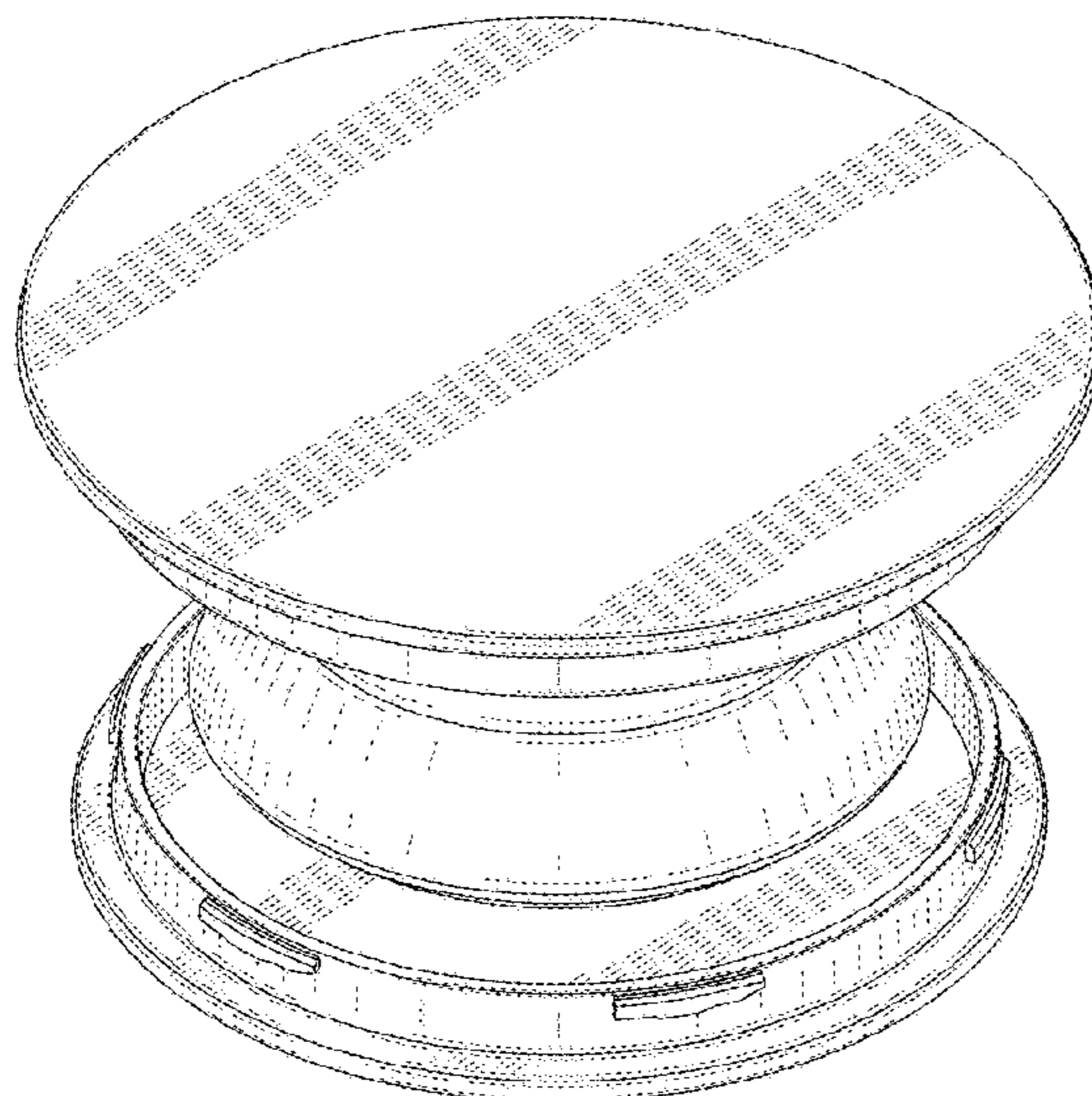
FIG. 3 shows a elevation view thereof.

FIG. 4 shows a reverse side elevation view thereof.

FIG. 5 shows a bottom plan view thereof; and,

FIG. 6 shows a top plan view thereof.

1 Claim, 5 Drawing Sheets



(56)

References Cited

U.S. PATENT DOCUMENTS

D681,613 S 5/2013 Magness et al.
 D691,988 S 10/2013 Warner
 8,560,031 B2 10/2013 Barnett et al.
 D693,818 S * 11/2013 Webber D14/439
 D694,222 S 11/2013 Thompson et al.
 8,616,327 B1 12/2013 Palacios
 D705,199 S 5/2014 Huang et al.
 D705,229 S 5/2014 Wengreen et al.
 D710,340 S 8/2014 Wengreen et al.
 D715,784 S 10/2014 Lin et al.
 D718,750 S 12/2014 Young
 D726,234 S 4/2015 Needham
 D728,535 S 5/2015 Degenkolb
 D734,305 S 7/2015 Wengreen
 D735,174 S 7/2015 Wengreen
 D739,389 S 9/2015 Prohaska
 D748,615 S * 2/2016 Lee D14/251
 D749,549 S 2/2016 Wengreen
 D761,236 S 7/2016 Wengreen
 D763,835 S 8/2016 Wengreen
 D765,063 S 8/2016 Wengreen
 D765,064 S 8/2016 Wengreen
 D766,228 S * 9/2016 Haymond D14/252
 D769,859 S * 10/2016 Herbst D14/253
 D772,739 S * 11/2016 Browning D10/74
 D773,325 S * 12/2016 Browning D10/74
 D777,025 S * 1/2017 Turksu D14/218
 D778,884 S * 2/2017 Taptic D14/238
 D779,466 S 2/2017 Wengreen D14/238.1
 D781,832 S * 3/2017 Snitko D14/250
 D783,593 S * 4/2017 Chen D14/253
 D784,977 S * 4/2017 Ormsbee D14/253
 D784,978 S * 4/2017 Hobbs D14/253

* cited by examiner

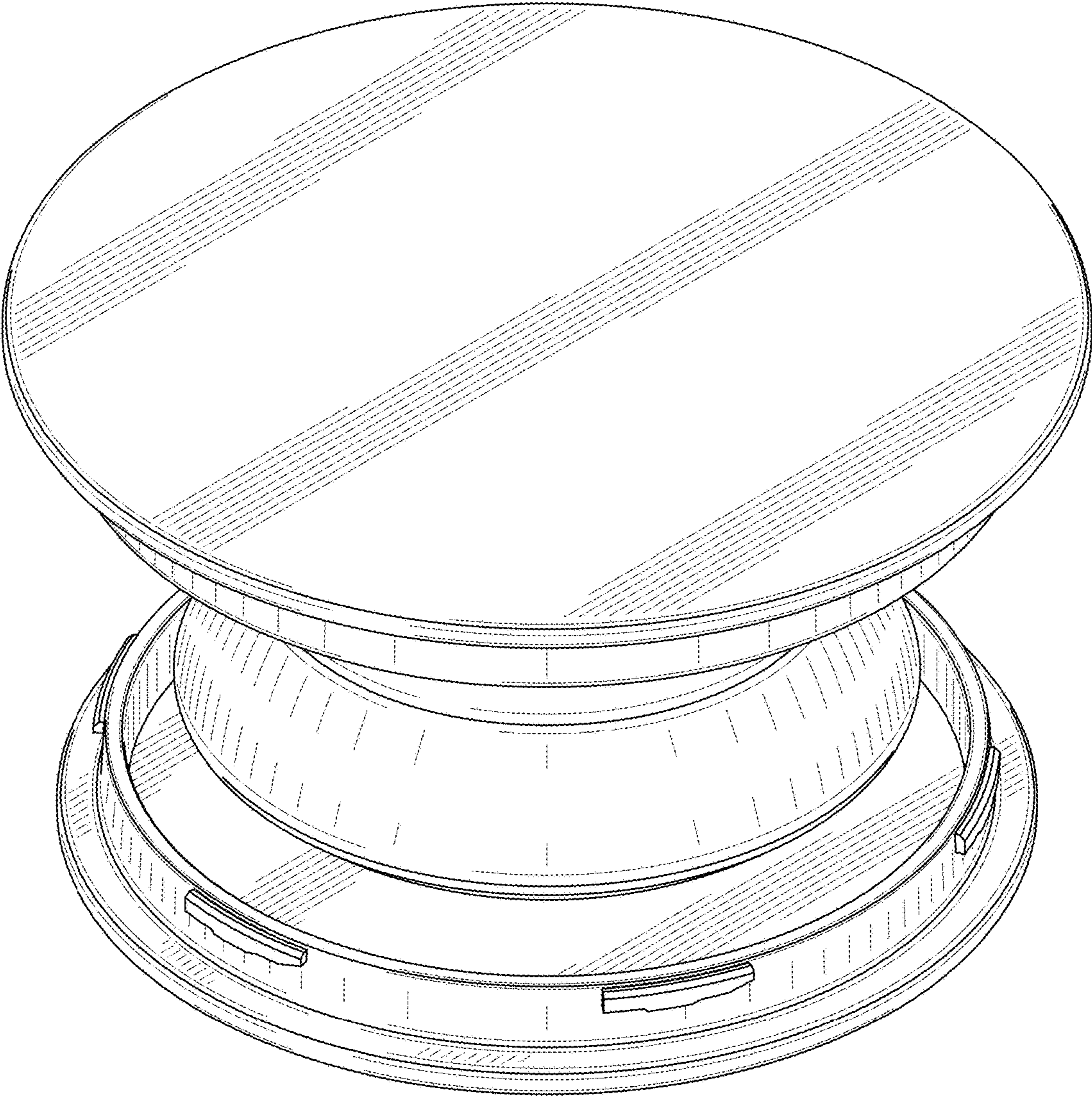


FIG. 1

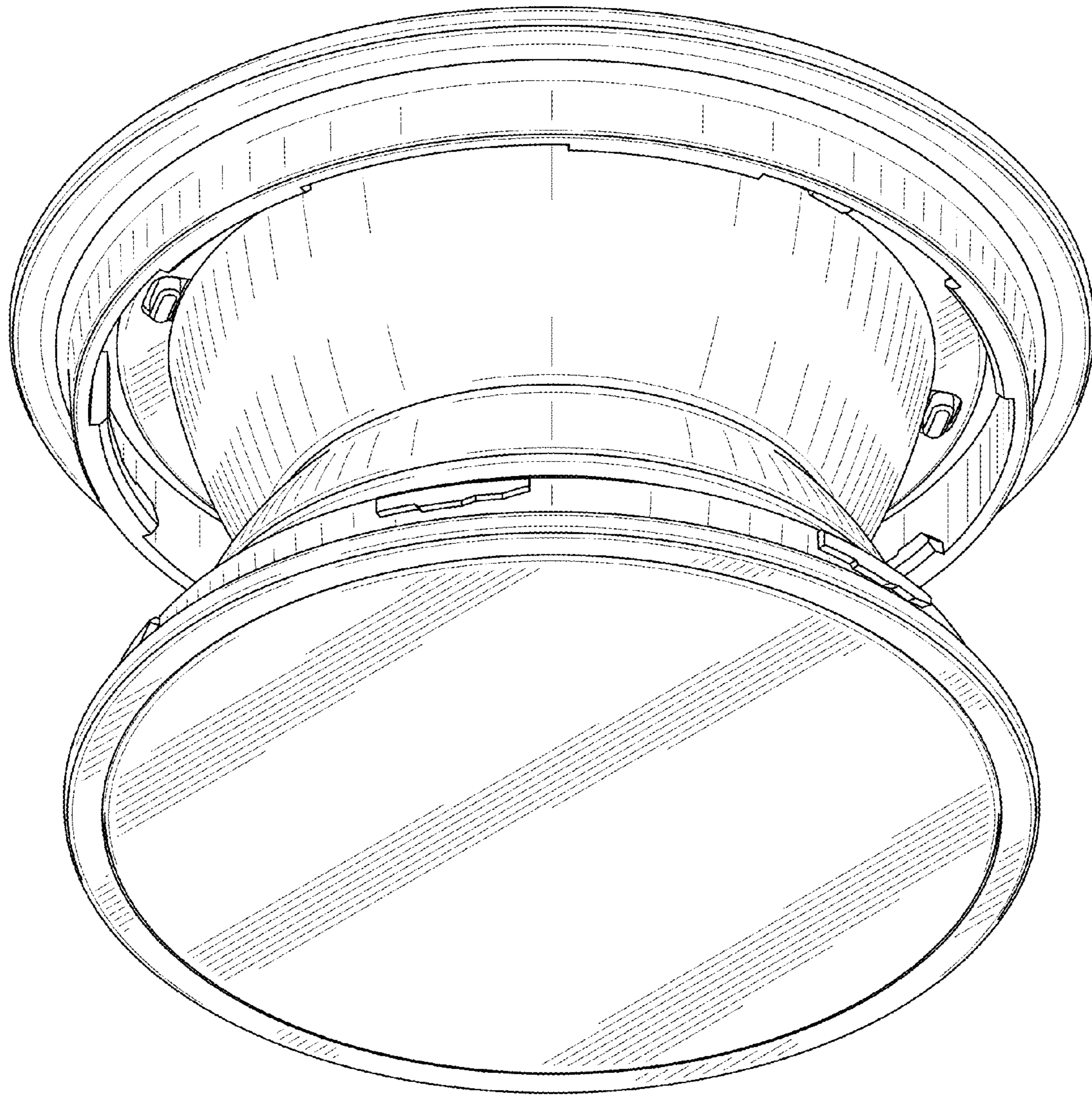


FIG. 2

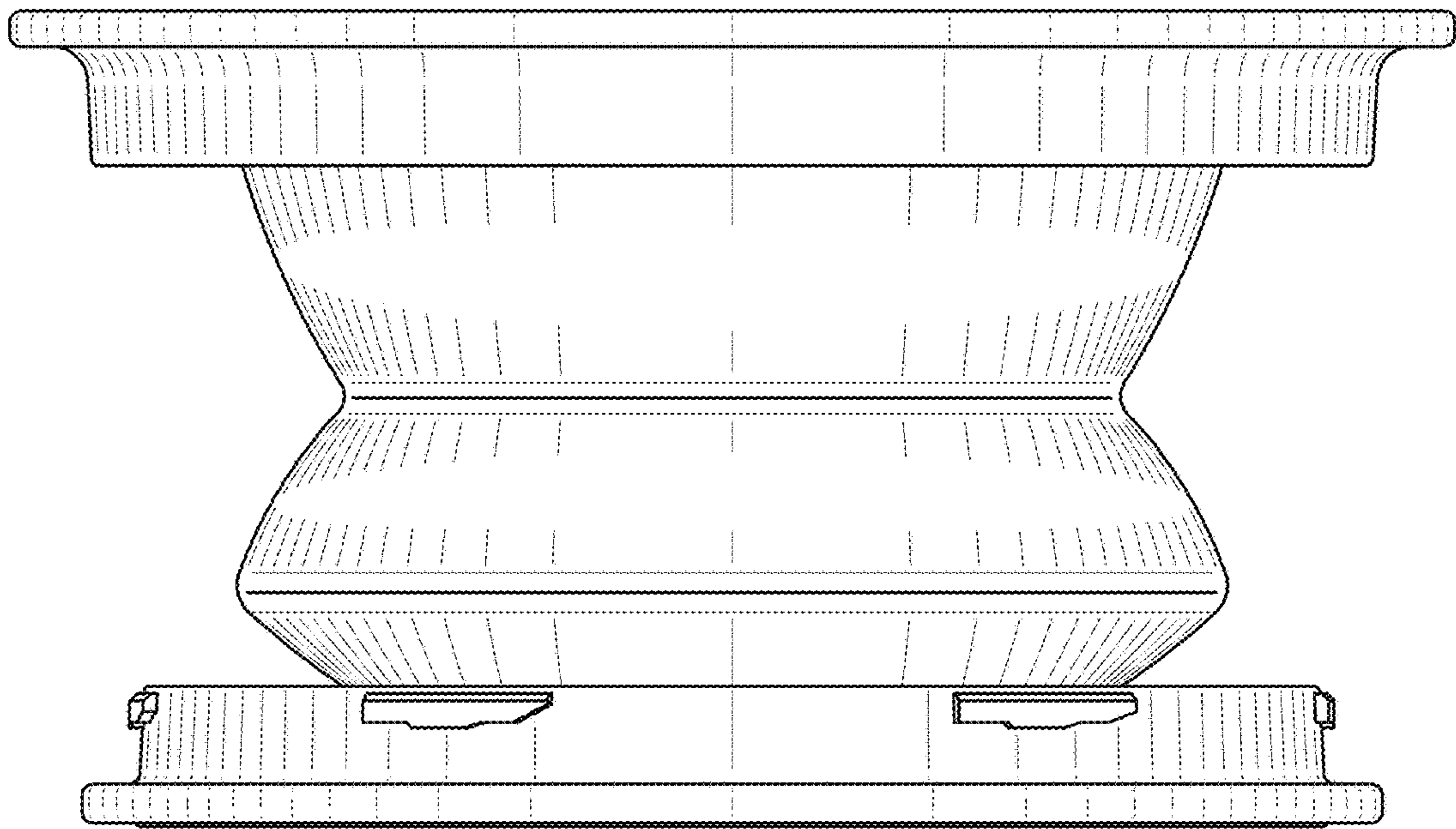


FIG. 3

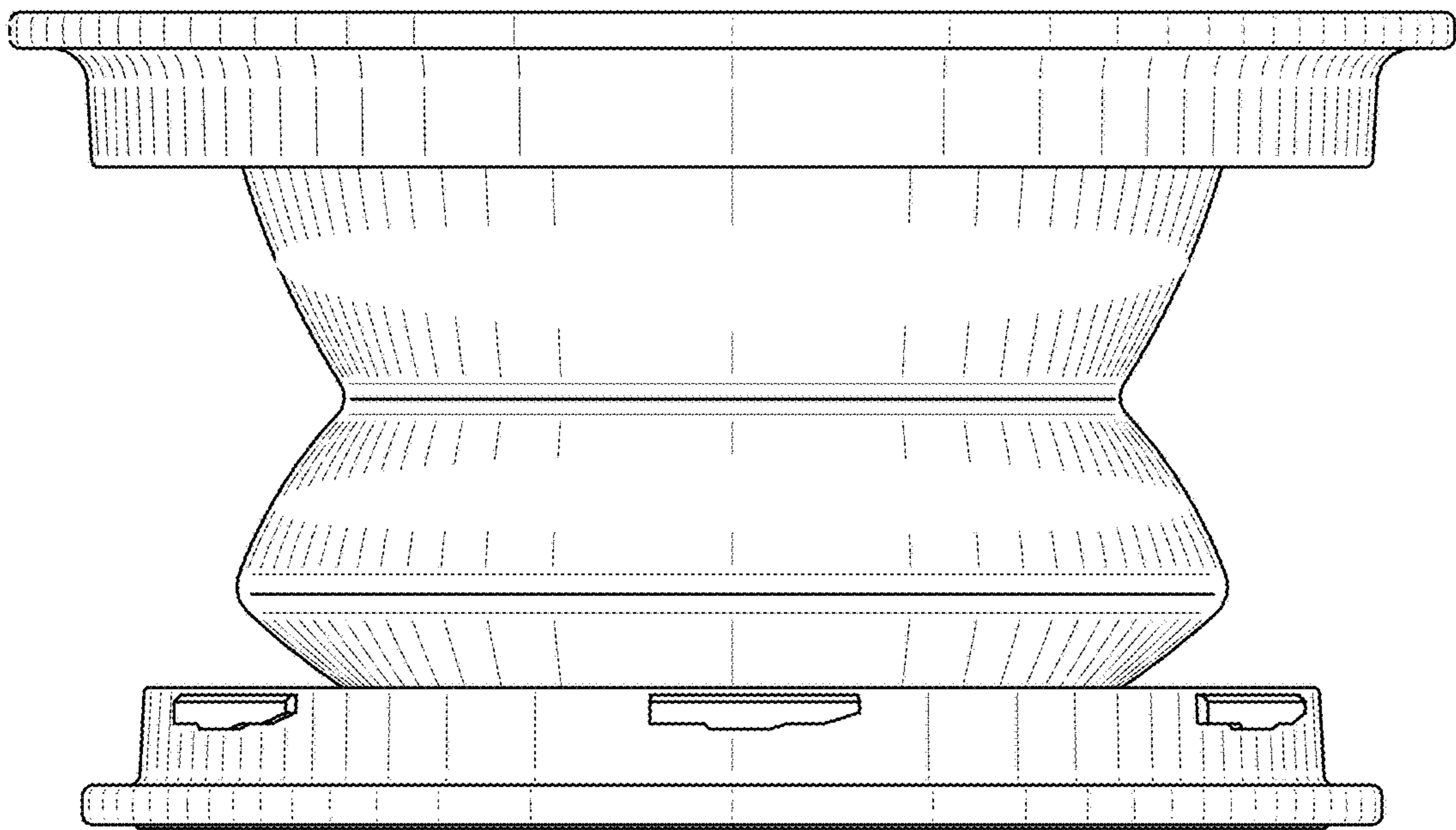


FIG. 4

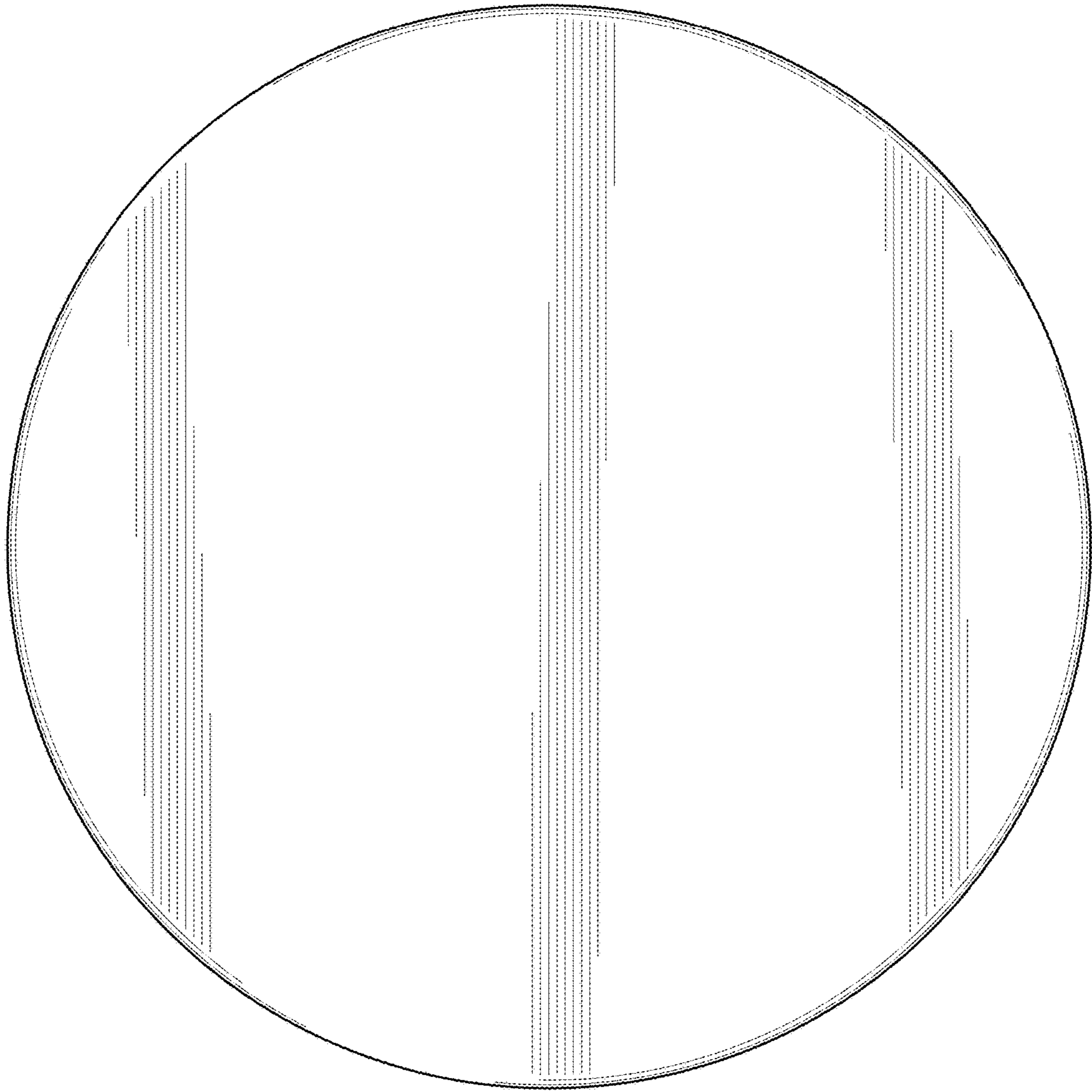


FIG. 5

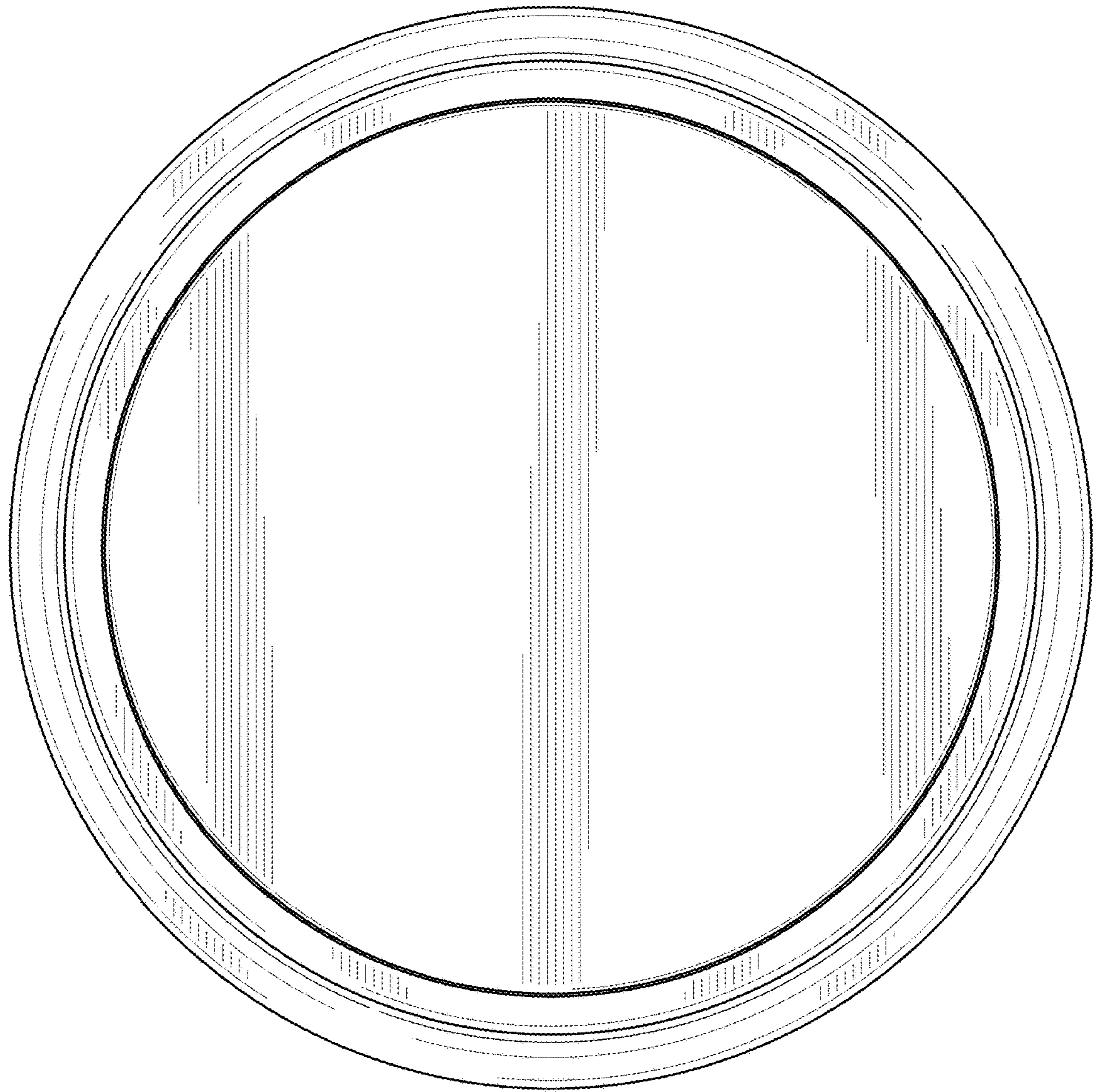


FIG. 6