



US00D794606S

(12) **United States Design Patent** (10) **Patent No.:** **US D794,606 S**  
**Zheng et al.** (45) **Date of Patent:** **\*\* Aug. 15, 2017**

(54) **GIMBAL WITH HANDLE**

(71) Applicant: **SZ DJI Osmo Technology Co., Ltd.**,  
Shenzhen (CN)

(72) Inventors: **Haibin Zheng**, Shenzhen (CN); **Min Kim**, Shenzhen (CN)

(73) Assignee: **SZ DJI Osmo Technology Co., Ltd.**,  
Shenzhen (CN)

(\*\*) Term: **15 Years**

(21) Appl. No.: **29/566,534**

(22) Filed: **May 31, 2016**

(51) **LOC (10) Cl.** ..... **14-03**

(52) **U.S. Cl.**  
USPC ..... **D14/217**

(58) **Field of Classification Search**  
USPC ..... D14/217, 253, 251, 252, 447, 451, 452,  
D14/440, 434, 458, 432, 439, 453, 460,  
D14/238.1, 140, 142, 149, 148; D13/107,  
D13/108, 218; D12/415, 223; D34/28,  
D34/32, 33; D16/200-208  
CPC .. H04M 1/72527; H04M 1/04; H04M 1/0252;  
H04M 1/72558; H04M 1/72561; H04M  
3/42051; H04M 1/0216; H04M 1/0245;  
H04M 1/0254; H04M 1/6075; H04M  
1/6091; H04M 1/66; H04M 2250/22;  
H04M 11/04; H04M 19/08; H04M 1/02;  
H04M 1/0214; H04M 1/0274; H04M  
1/03; H04M 1/05; H04M 1/11; H04M  
1/2155; H04M 1/6033; H04M 1/6041;  
H04M 1/6058; H04M 1/6066; H04M  
1/72519; H04M 1/7253; H04M  
2203/2038; H04M 2250/12; H04M  
2250/52; H04M 3/42042; H04M 3/4365  
See application file for complete search history.

(56) **References Cited**

U.S. PATENT DOCUMENTS

3,810,647 A	5/1974	Martchenke
4,864,335 A	9/1989	Corrales
5,021,813 A	6/1991	Corrales
D320,995 S	10/1991	Fukuda et al.
6,366,672 B1	4/2002	Tsay

(Continued)

FOREIGN PATENT DOCUMENTS

CN	303127592 S	3/2015
CN	303320443 S	8/2015

(Continued)

OTHER PUBLICATIONS

<http://news.mynavi.jp/news/2015/01/19/177/>; dated Jan. 19, 2015.

(Continued)

*Primary Examiner* — Ian Simmons  
*Assistant Examiner* — Khawaja Anwar  
(74) *Attorney, Agent, or Firm* — Sterne, Kessler,  
Goldstein & Fox P.L.L.C.

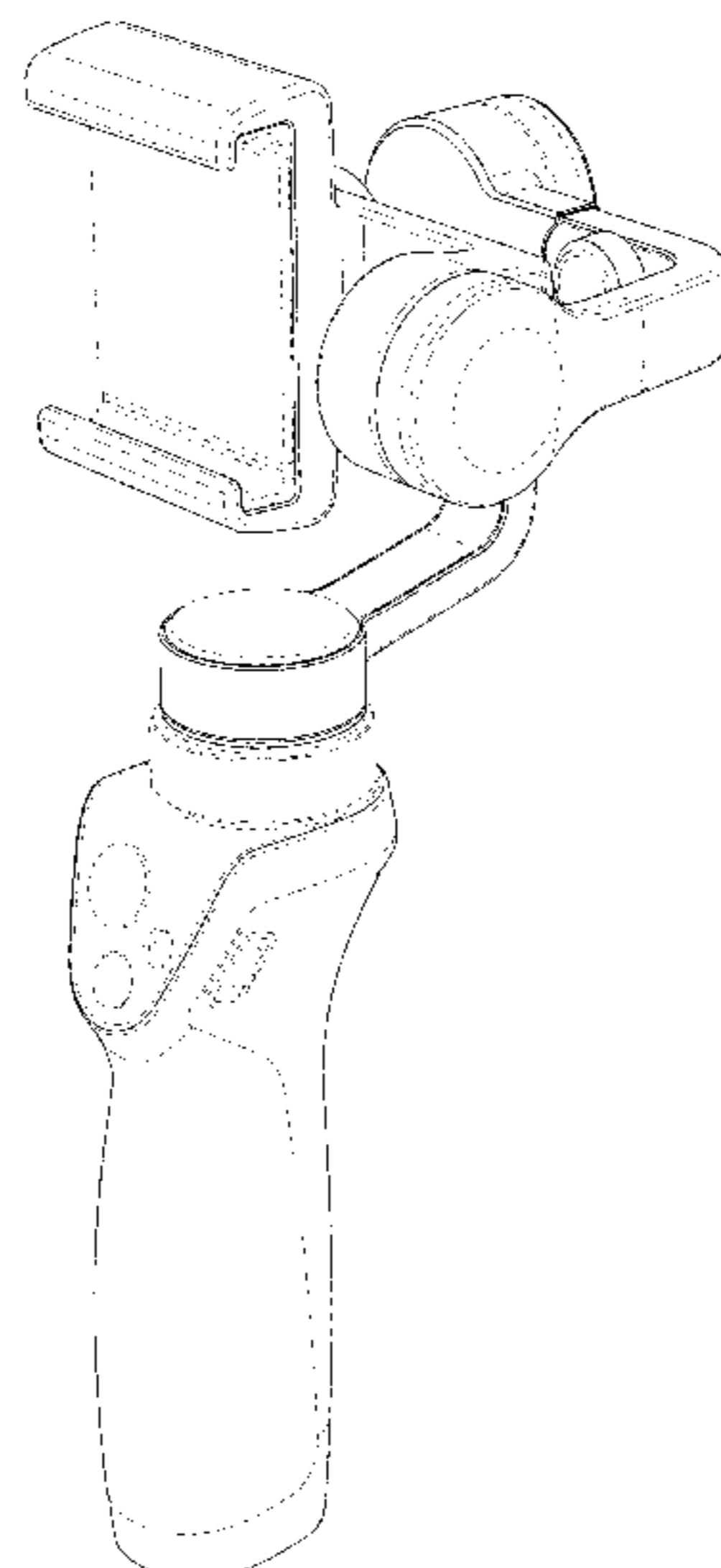
(57) **CLAIM**

The ornamental design for a gimbal with handle, as shown and described.

**DESCRIPTION**

FIG. 1 is a top front perspective view of a gimbal with handle showing the claimed design;  
FIG. 2 is a top rear perspective view thereof;  
FIG. 3 is a front view thereof;  
FIG. 4 is a rear view thereof;  
FIG. 5 is a right side view thereof;  
FIG. 6 is a left side view thereof;  
FIG. 7 is a top view thereof; and,  
FIG. 8 is a bottom view thereof.  
The broken lines in the figures show portions of the gimbal with handle that form no part of the claimed design.

**1 Claim, 7 Drawing Sheets**



(56)

References Cited

U.S. PATENT DOCUMENTS

6,923,686 B1 8/2005 Cheng  
 7,158,092 B2 1/2007 Shen  
 D580,474 S 11/2008 Lee et al.  
 D590,867 S 4/2009 Schenone et al.  
 D619,586 S 7/2010 Richter  
 D626,541 S 11/2010 Kim et al.  
 8,087,625 B2 1/2012 Chang  
 D670,284 S 11/2012 Choi  
 D678,387 S 3/2013 Stump et al.  
 D690,707 S 10/2013 Minn et al.  
 D709,074 S 7/2014 Tsui et al.  
 8,780,263 B2 7/2014 Orf  
 D713,398 S \* 9/2014 Alesi ..... D14/253  
 D715,790 S 10/2014 Conomos et al.  
 D715,791 S 10/2014 Yu  
 D716,788 S \* 11/2014 Volkan ..... D13/108  
 D720,344 S 12/2014 Yu  
 8,915,660 B1 12/2014 Ben Yehuda et al.  
 D727,333 S 4/2015 Shih et al.  
 D732,519 S 6/2015 Aspinall et al.  
 D733,115 S 6/2015 Aspinall et al.  
 9,203,946 B2 12/2015 Zajeski et al.  
 D747,399 S 1/2016 Stump et al.  
 D753,126 S \* 4/2016 Alesi ..... D14/447  
 D753,205 S \* 4/2016 Stark ..... D16/203  
 D759,335 S \* 6/2016 Kim ..... D34/28  
 D765,646 S \* 9/2016 Deng ..... D12/415  
 D765,651 S 9/2016 Liu et al.  
 D766,230 S 9/2016 Shepard  
 D767,556 S \* 9/2016 Lee ..... D12/415  
 D768,125 S 10/2016 Kim  
 D769,235 S 10/2016 Li  
 D769,860 S 10/2016 Xiao  
 D773,449 S \* 12/2016 Mellano ..... D14/253  
 D777,720 S \* 1/2017 Russell ..... D14/253  
 D779,580 S 2/2017 Jia  
 D780,743 S 3/2017 Chun  
 D783,012 S 4/2017 Lee  
 D783,013 S 4/2017 Chun  
 D783,592 S 4/2017 Ju  
 D784,997 S 4/2017 Cheng et al.  
 2006/0285844 A1 12/2006 Hershenzon  
 2008/0242154 A1 10/2008 Dixon et al.  
 2009/0308993 A1 12/2009 Chang  
 2010/0237206 A1 9/2010 Barker  
 2014/0071339 A1 3/2014 Baker  
 2014/0097306 A1 \* 4/2014 Hale ..... F16M 13/022  
 248/122.1  
 2014/0176062 A1 6/2014 Jung  
 2015/0077630 A1 3/2015 Miller  
 2015/0090849 A1 4/2015 Breitweiser et al.  
 2015/0191124 A1 \* 7/2015 Du ..... F16M 13/022  
 248/205.4  
 2015/0323856 A1 11/2015 Nordhaug

2015/0346590 A1 12/2015 Lewis  
 2016/0088748 A1 3/2016 Lin  
 2016/0288730 A1 10/2016 Lee et al.

FOREIGN PATENT DOCUMENTS

CN 303320450 S 8/2015  
 CN 303348679 S 8/2015  
 CN 303440091 S 11/2015  
 CN 303509498 S 12/2015  
 CN 303572923 S 1/2016  
 CN 303612732 S 3/2016  
 CN 303648342 S 4/2016  
 JP D1141667 5/2002  
 JP D1208203 6/2004  
 JP D1420793 8/2011  
 JP D1453628 10/2012  
 KR 30-0790778 4/2015  
 KR 30-0792883 4/2015  
 KR 30-0818012 10/2015  
 KR 30-0831427 12/2015

OTHER PUBLICATIONS

<http://news.mynavi.jp/photo/news/2015/01/19/177/images/0011.jpg>; dated Jan. 19, 2015.  
<http://news.mynavi.jp/photo/news/2015/01/19/177/images/0041.jpg>; dated Jan. 19, 2015.  
<http://news.mynavi.jp/photo/news/2015/01/19/177/images/0051.jpg>; dated Jan. 19, 2015.  
<http://news.mynavi.jp/photo/news/2015/01/19/177/images/0121.jpg>; dated Jan. 19, 2015.  
<http://k-tai.watch.impress.co.jp/docs/column/stapa/687357.html>; dated Feb. 9, 2015.  
 “Swiftcam M3 Auto-stabilizing Hand Held Holder Gimbal for Smartphone Mobile Phone,” ebay, <URL: <http://www.ebay.com/itm/Swiftcam-M3-Auto-stabilizing-Hand-Held-Holder-Gimbal-For-Smartphone-Mobile-Phone-/181421925183>>; date accessed: Apr. 25, 2017.  
 “WenPod SP2 Digital Stabilizer Gimbal Smart Phone Holder,” zapals, <URL: <https://www.zapals.com/wenpod-sp2-digital-stabilizer-gimbal-smart-phone-holder.html>>; date accessed: Apr. 25, 2017.  
 “Smartphone Mount Holder for Feiyu Tech G3 Ultra 2/3-Axis Steadycam Handheld Gimbal Stabilizer Phone Holder,” Bigup Gadgets. <URL: <http://bigupgadgets.com/smartphone-mount-holder-for-feiyu-tech-g3-ultra-2-3-axis-steadycam-handheld-gimbal-stabilizer-phone-holder.html>>, dated accessed: Apr. 25, 2017.  
 U.S. Appl. No. 29/526,495, filed May 11, 2015.  
 U.S. Appl. No. 29/540,667, filed Sep. 25, 2015.  
 U.S. Appl. No. 29/548,624, filed Dec. 15, 2015.  
 U.S. Appl. No. 29/575,754, filed Sep. 25, 2015.  
 U.S. Appl. No. 29/575,749, filed Dec. 15, 2015.

\* cited by examiner

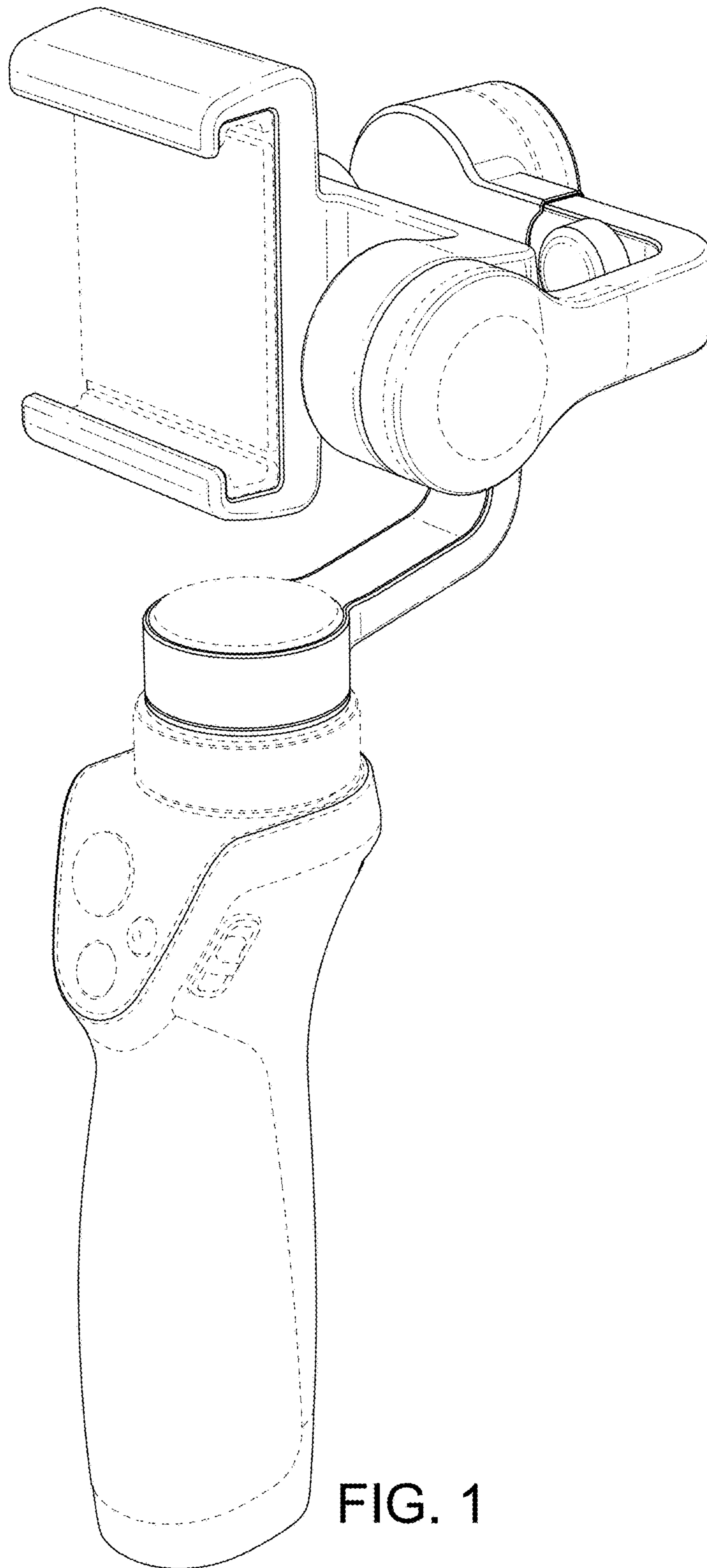


FIG. 1

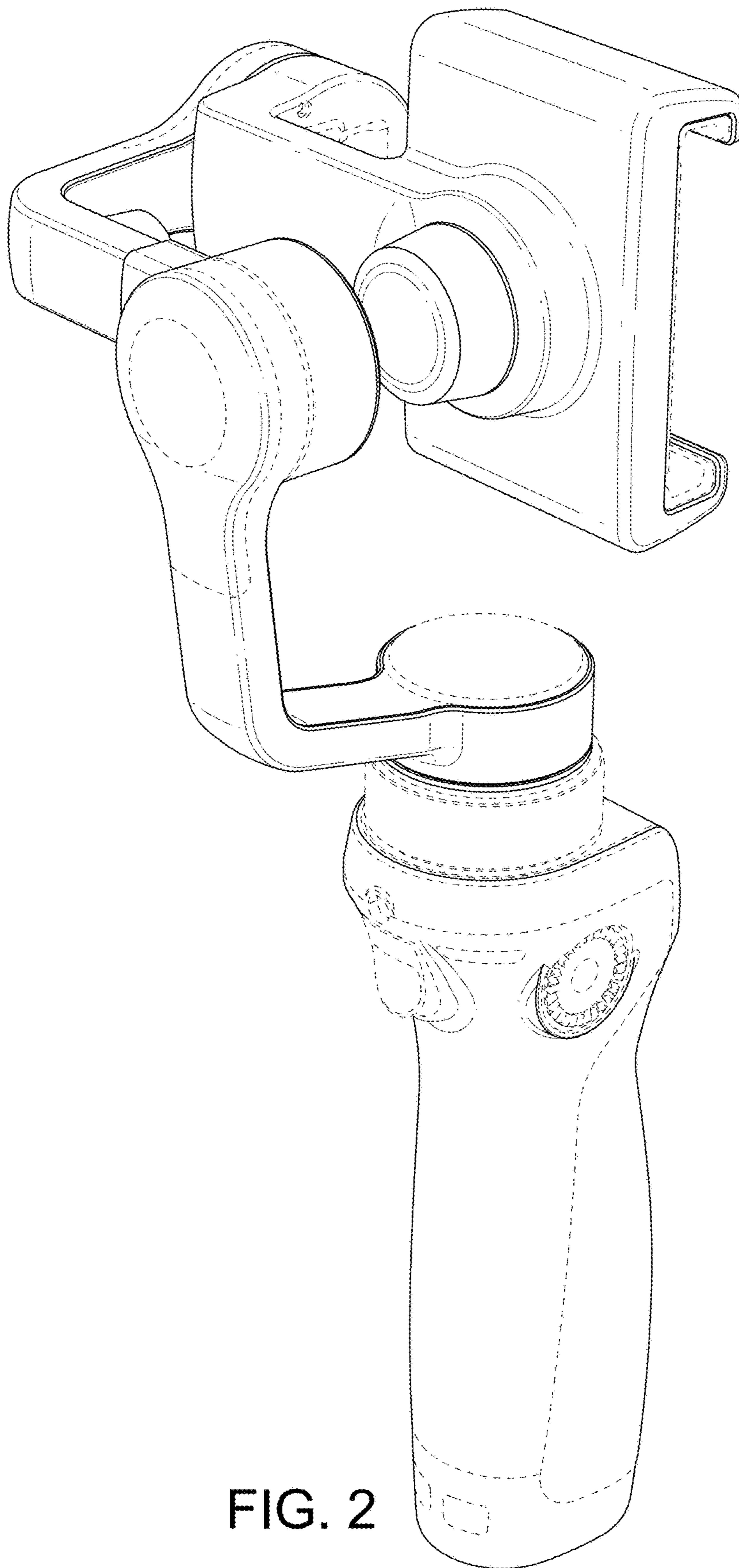


FIG. 2

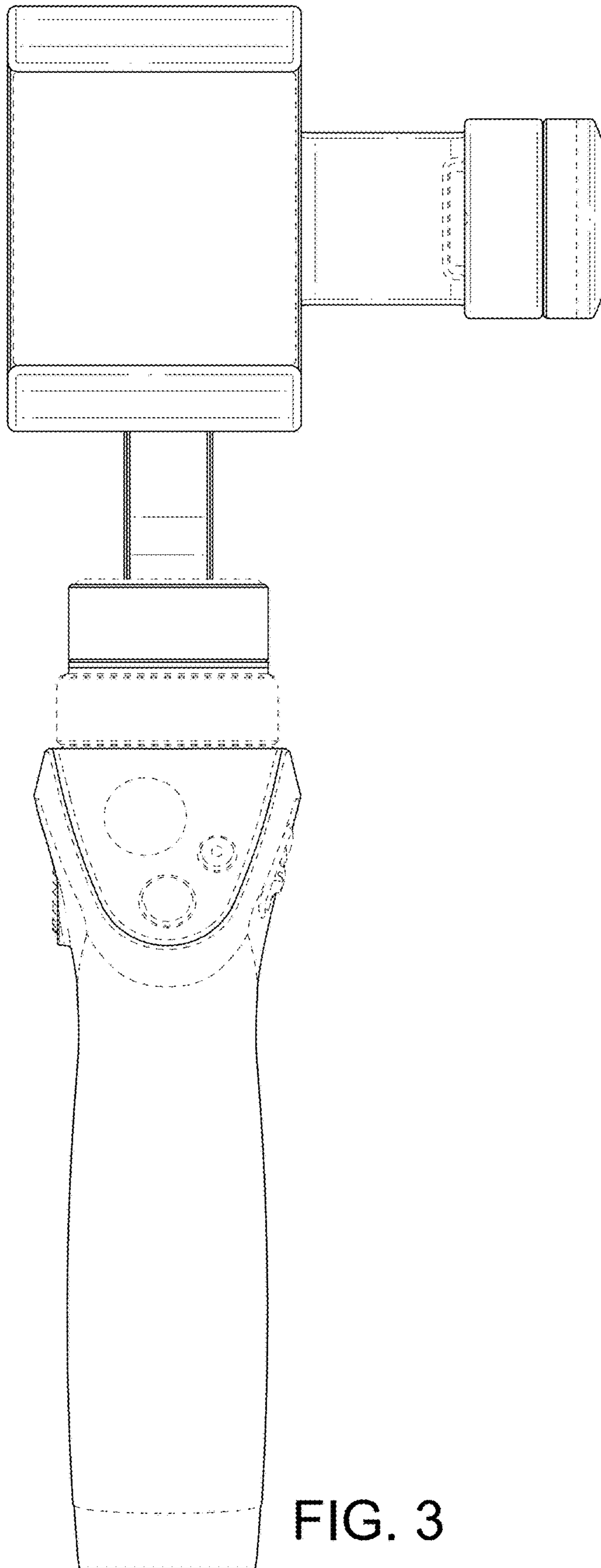


FIG. 3

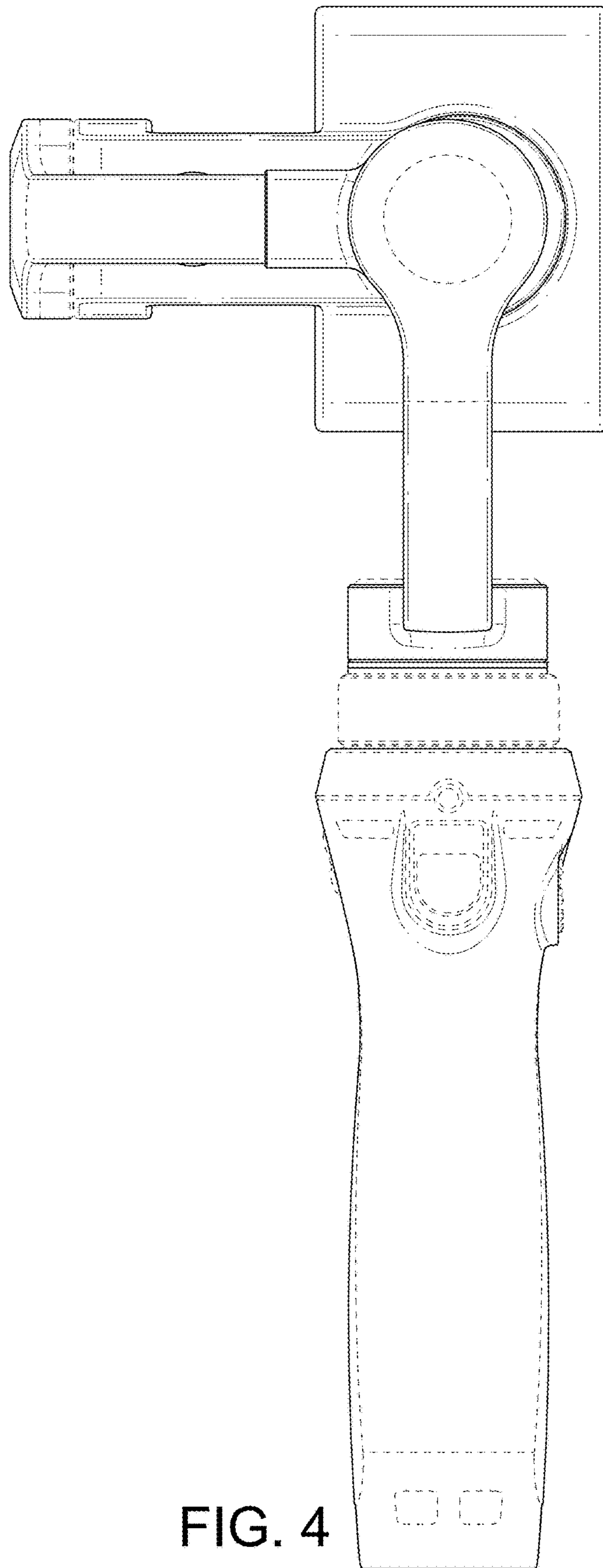


FIG. 4

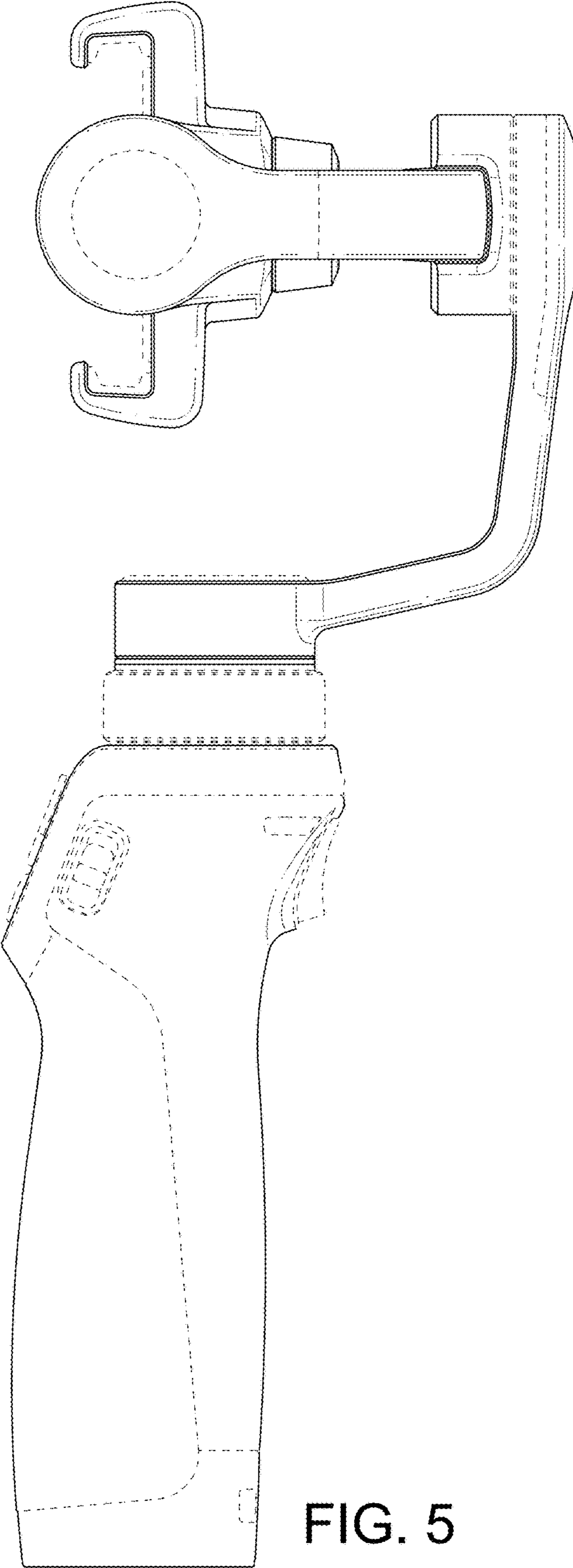


FIG. 5

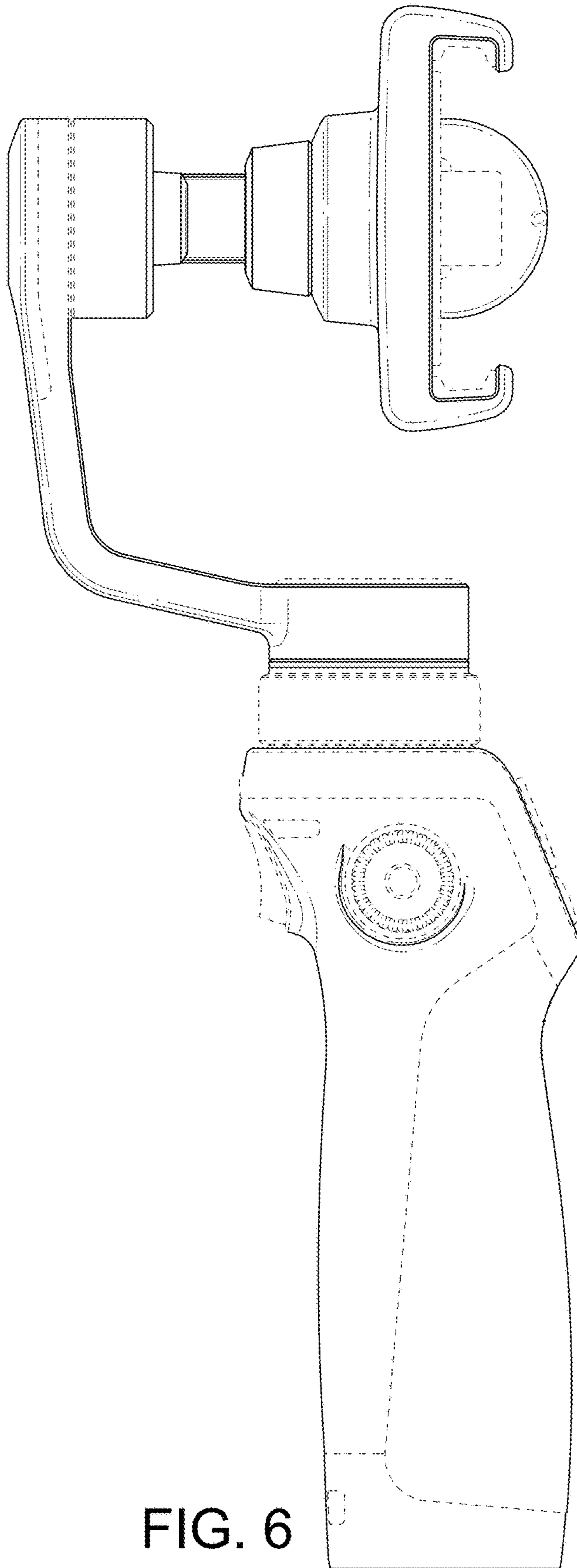


FIG. 6



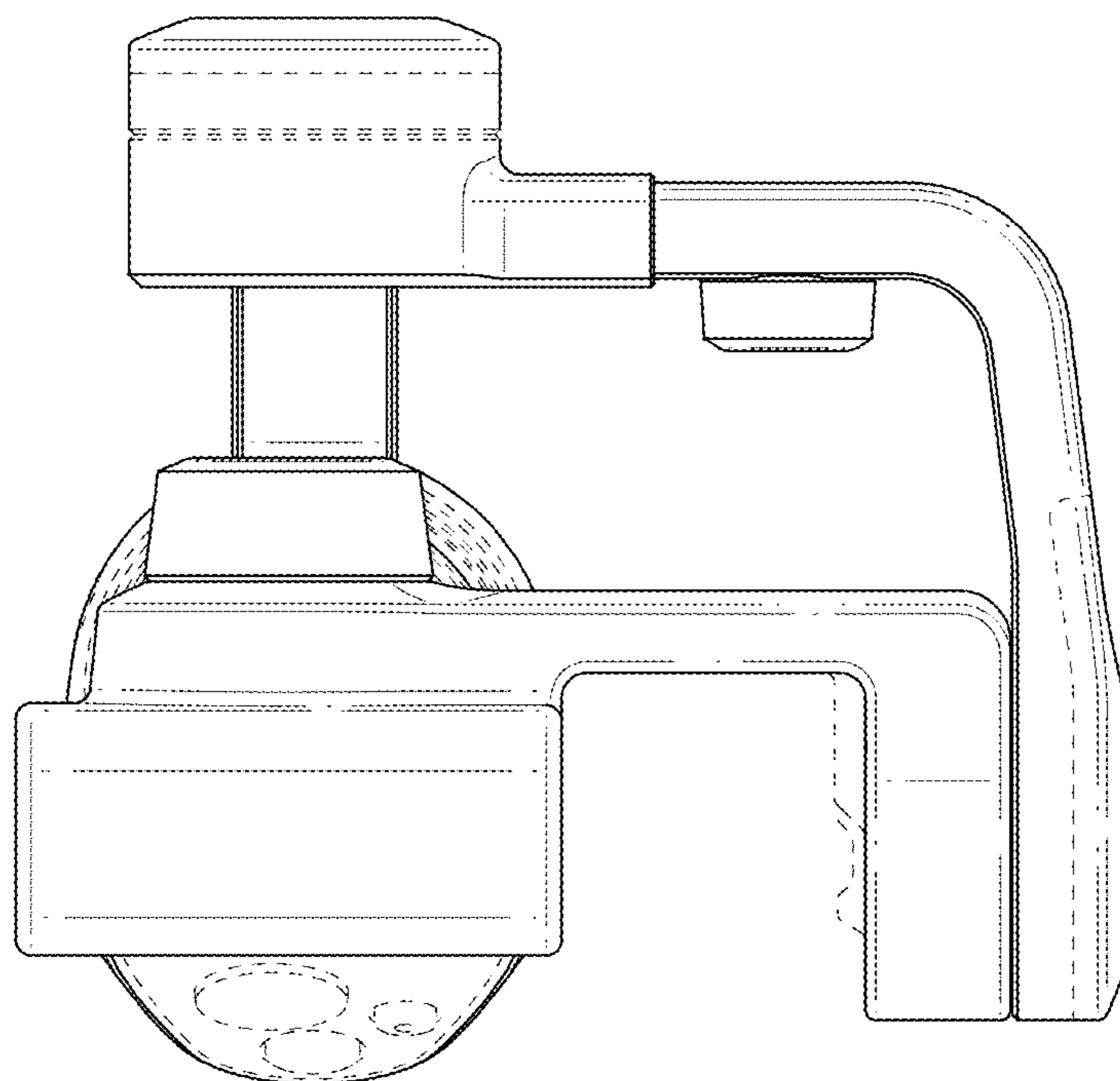


FIG. 7

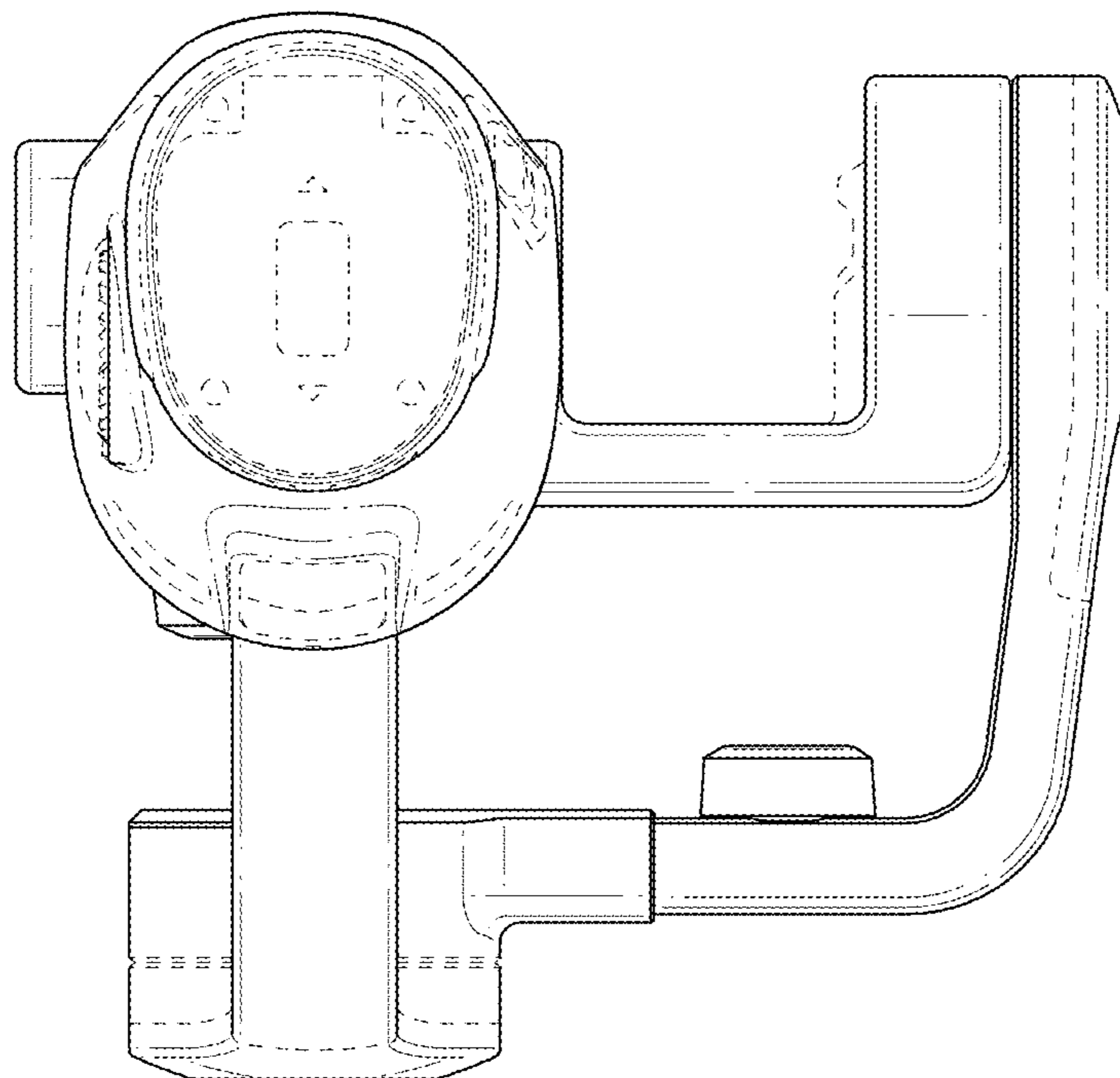


FIG. 8