



US00D794604S

(12) **United States Design Patent**
Cheney

(10) **Patent No.:** **US D794,604 S**

(45) **Date of Patent:** **** Aug. 15, 2017**

(54) **WIRELESS SPEAKER**

(71) Applicant: **Braven LC**, Orem, UT (US)

(72) Inventor: **John Craig Cheney**, Orem, UT (US)

(73) Assignee: **BRAVEN, LC**, Orem, UT (US)

(**) Term: **15 Years**

(21) Appl. No.: **29/550,464**

(22) Filed: **Jan. 4, 2016**

(51) **LOC (10) Cl.** **14-01**

(52) **U.S. Cl.**

USPC **D14/210**; D14/204

(58) **Field of Classification Search**

USPC D14/168, 188, 194, 195, 196, 204, 210,
D14/211, 212, 213, 214, 215, 216

CPC B60R 11/0217; G06F 1/1688; G10K 9/22;
G10K 11/004; H03F 1/327; H04M 1/03;
H04M 1/035; H04N 5/642; H04N
21/4852; H04S 3/00; H04S 7/30; H04R
1/02; H04R 1/06; H04R 1/021; H04R
1/025; H04R 1/026; H04R 1/028; H04R
1/105; H04R 1/323; H04R 1/403; H04R
1/2803; H04R 1/2834; H04R 5/02; H04R
7/20; H04R 9/06; H04R 9/025; H04R
2201/021; H04R 2400/00; H04R 2400/07;
H04R 2499/11; H04R 2499/13; H04R
2499/15

See application file for complete search history.

(56) **References Cited**

U.S. PATENT DOCUMENTS

D222,814 S *	1/1972	Teller	D14/196
D321,515 S *	11/1991	Harris	D14/168
D373,208 S *	8/1996	Yuen	D14/168
D516,538 S *	3/2006	Hibi	D14/168
D524,287 S *	7/2006	Hibi	D14/168
D538,782 S *	3/2007	Ishibashi	D14/168
D552,081 S *	10/2007	Yano	D13/110

D556,737 S *	12/2007	Oh	D14/168
D636,332 S *	4/2011	Hsu	D13/109
D638,400 S *	5/2011	Hawkins	D14/214
D653,652 S *	2/2012	Kroyer	D14/214
D670,677 S *	11/2012	Pfeifer	D14/212
D676,830 S *	2/2013	Garrett	D14/210
D726,142 S *	4/2015	Itoh	D14/196
D726,685 S *	4/2015	Cheng	D14/212
D736,746 S *	8/2015	Cheng	D14/217
D743,936 S *	11/2015	Cloarec	D14/210
D753,093 S *	4/2016	Garfio	D14/214

(Continued)

OTHER PUBLICATIONS

iLounge—Braven BRV-XXL, announced Mar. 30, 2016 [online], [site visited Mar. 31, 2017]. Available from internet, URL: <<http://www.ilounge.com/index.php/reviews/entry/braven-brv-xxl-bluetooth-speaker>>.*

(Continued)

Primary Examiner — Keli L Hill

Assistant Examiner — Karra S Johnson

(74) *Attorney, Agent, or Firm* — Manatt, Phelps & Phillips, LLC

(57) **CLAIM**

The ornamental design for a wireless speaker, as shown and described.

DESCRIPTION

FIG. 1 is a front perspective view of a wireless speaker.

FIG. 2 is a front view thereof.

FIG. 3 is a rear view thereof.

FIG. 4 is a left side view thereof.

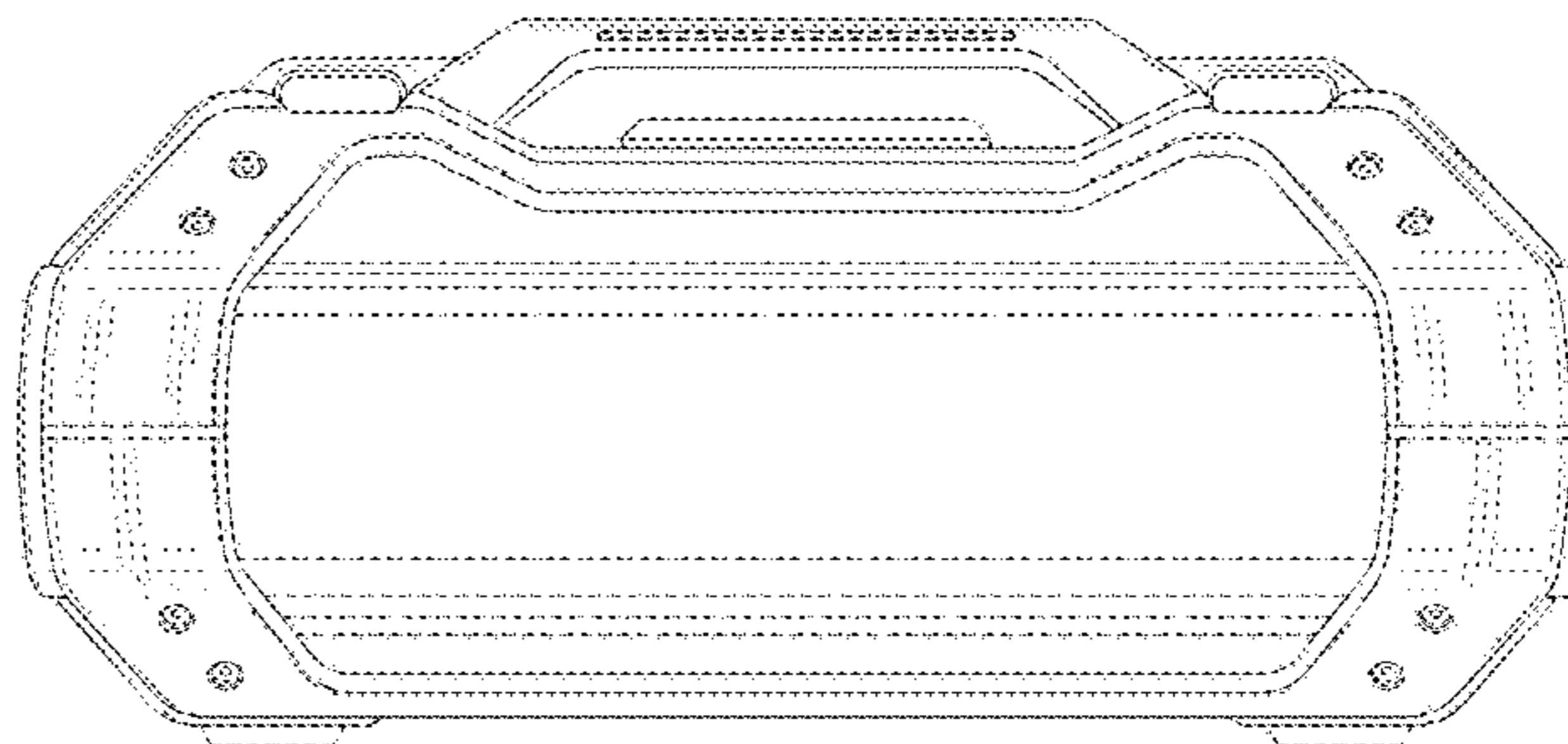
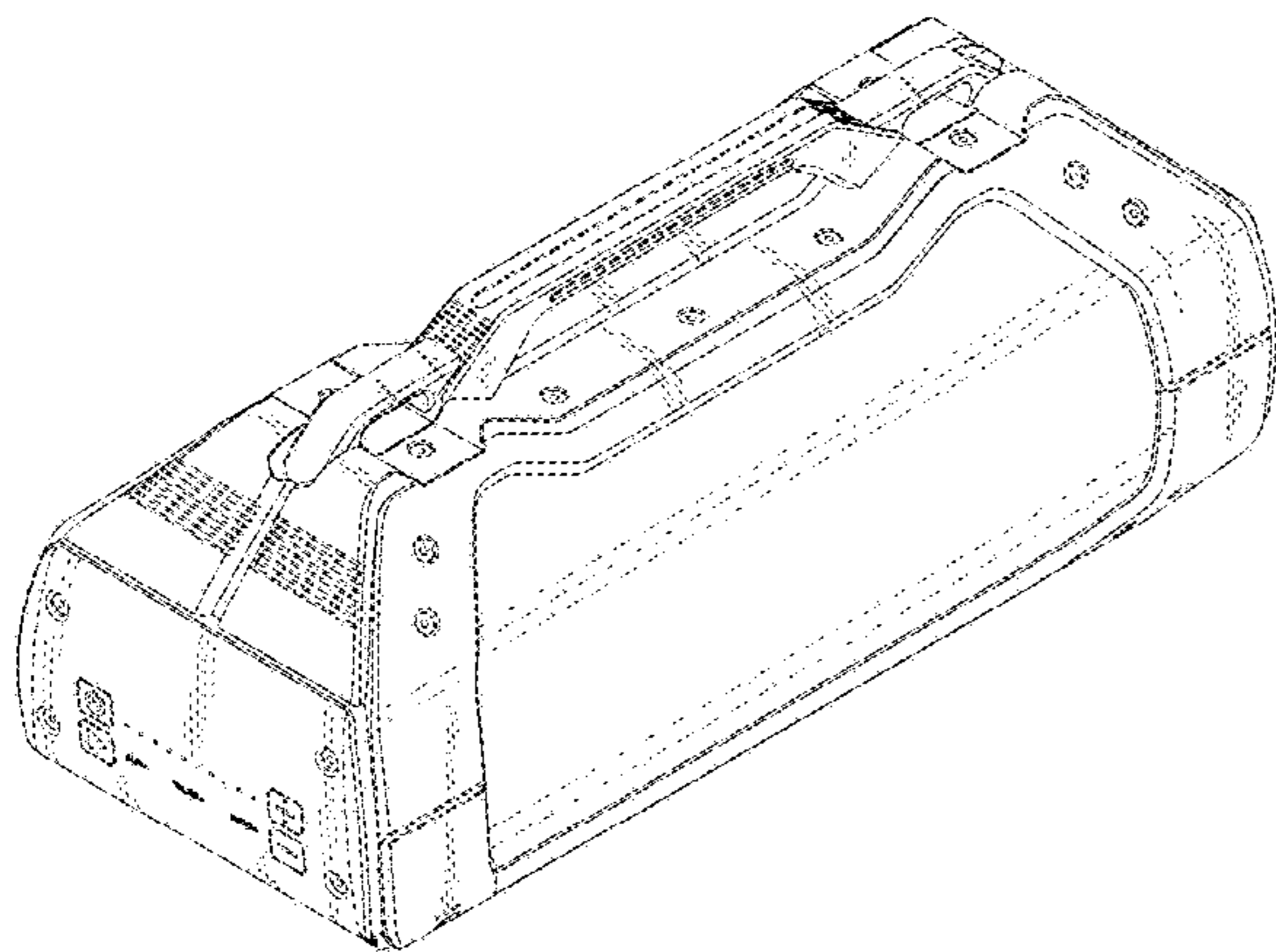
FIG. 5 is a right side view thereof.

FIG. 6 is a top view thereof; and,

FIG. 7 is a bottom view thereof.

The broken lines in the drawings illustrate portions of the wireless speaker which form no part of the claimed design.

1 Claim, 6 Drawing Sheets



(56)

References Cited

U.S. PATENT DOCUMENTS

D755,754 S * 5/2016 Schwartz D14/212
D771,592 S * 11/2016 Cloarec D14/212

OTHER PUBLICATIONS

Andriod Spin—Braven BRV-X, announced Jul. 8, 2015 [online], [site visited Mar. 31, 2017]. Available from internet, URL: <<http://androidspin.com/2015/07/08/braven-brv-x-a-must-have-summer-bluetooth-speaker-essential-review/>>.*

Sound Guys—Braven BRV-X, announced May 2, 2014 [online], [site visited Mar. 31, 2017]. Available from internet, URL: <<http://www.soundguys.com/braven-brv-x-review-834/>>.*

Jesse Hollington, “Braven intros new speakers at CES, including the BRV-XXL and BRV-BLADE LE,” <http://www.ilounge.com/index.php/news/comments/braven-intros-new-speakers-at-ces-including-the-brv-xxl-and-brv-blade-le>.

* cited by examiner

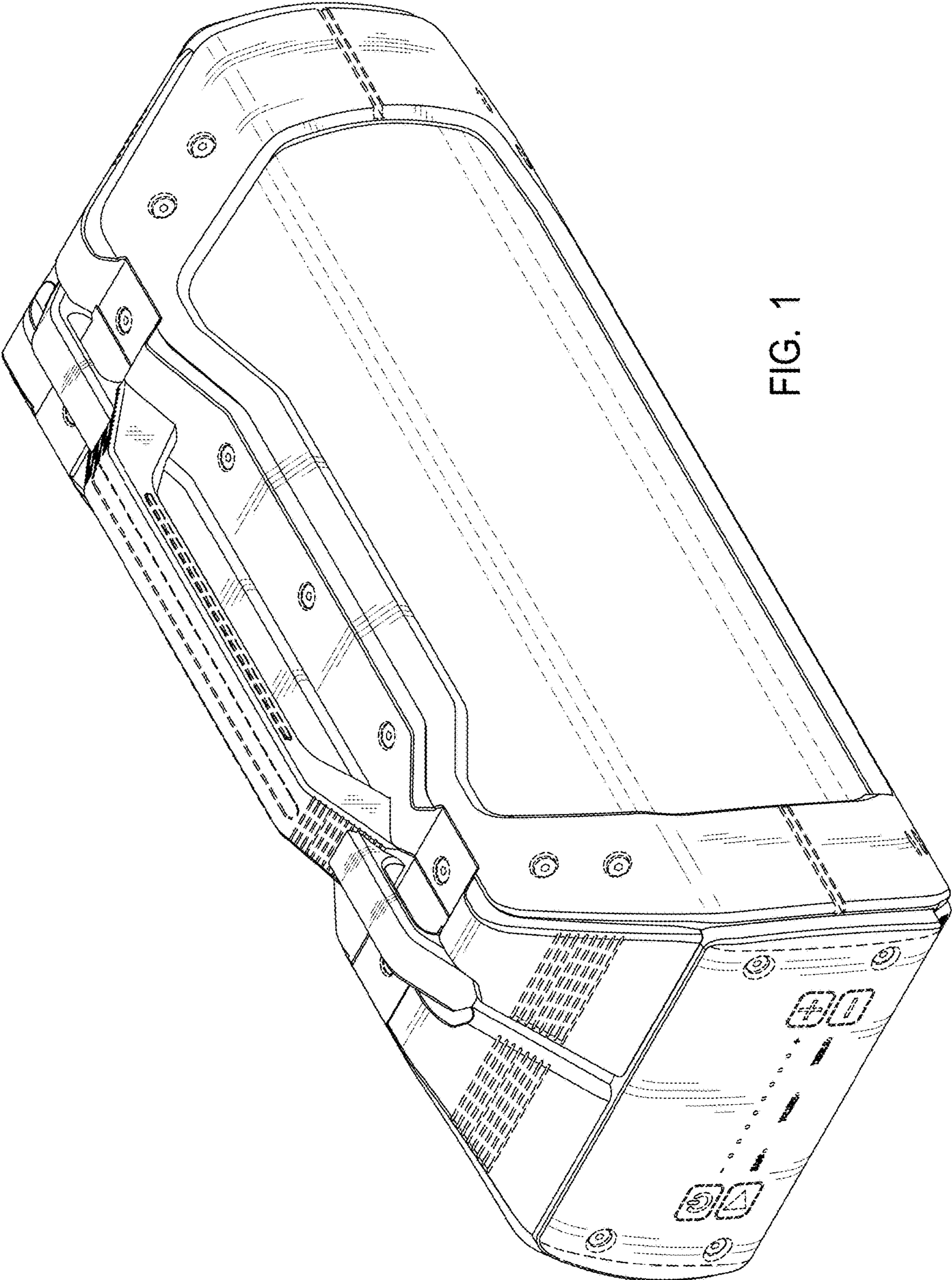


FIG. 1

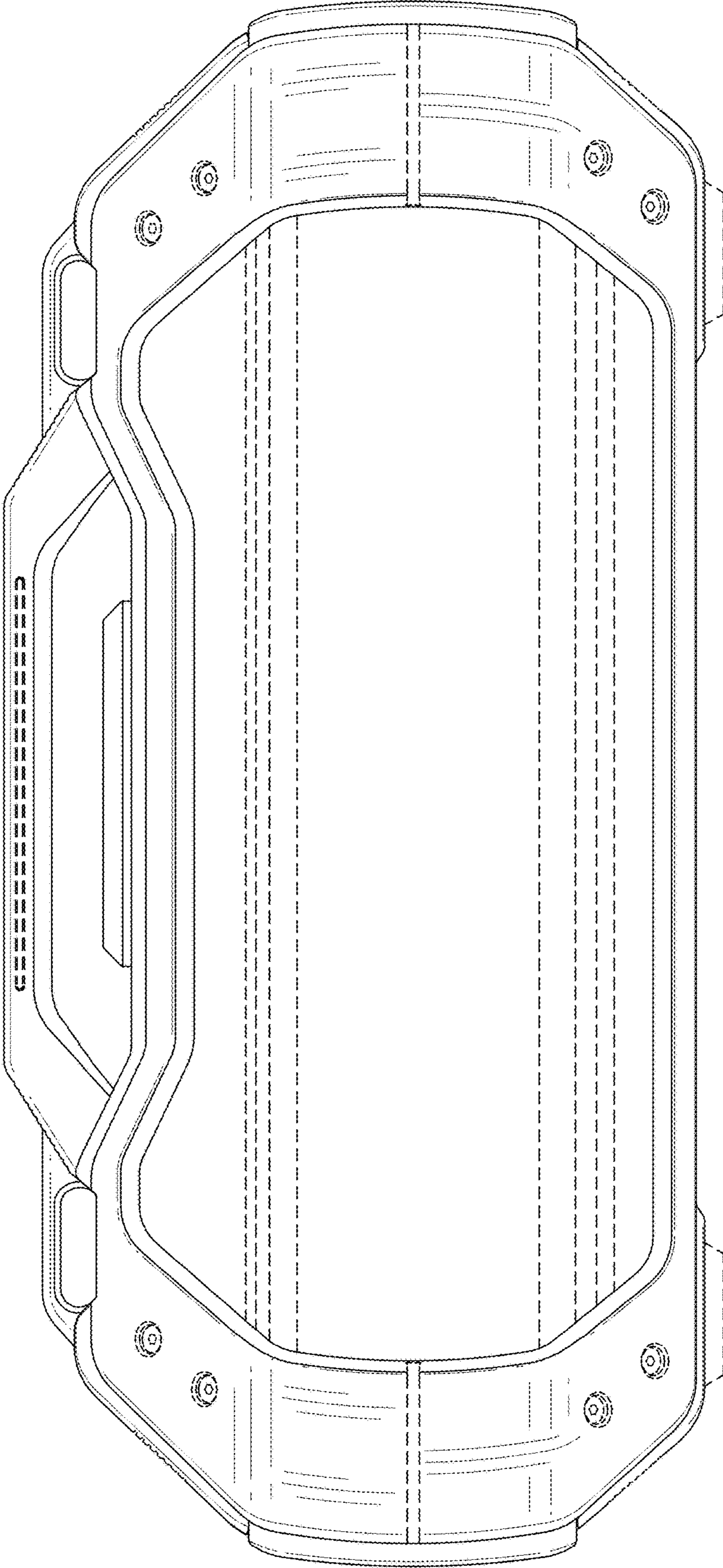


FIG. 2

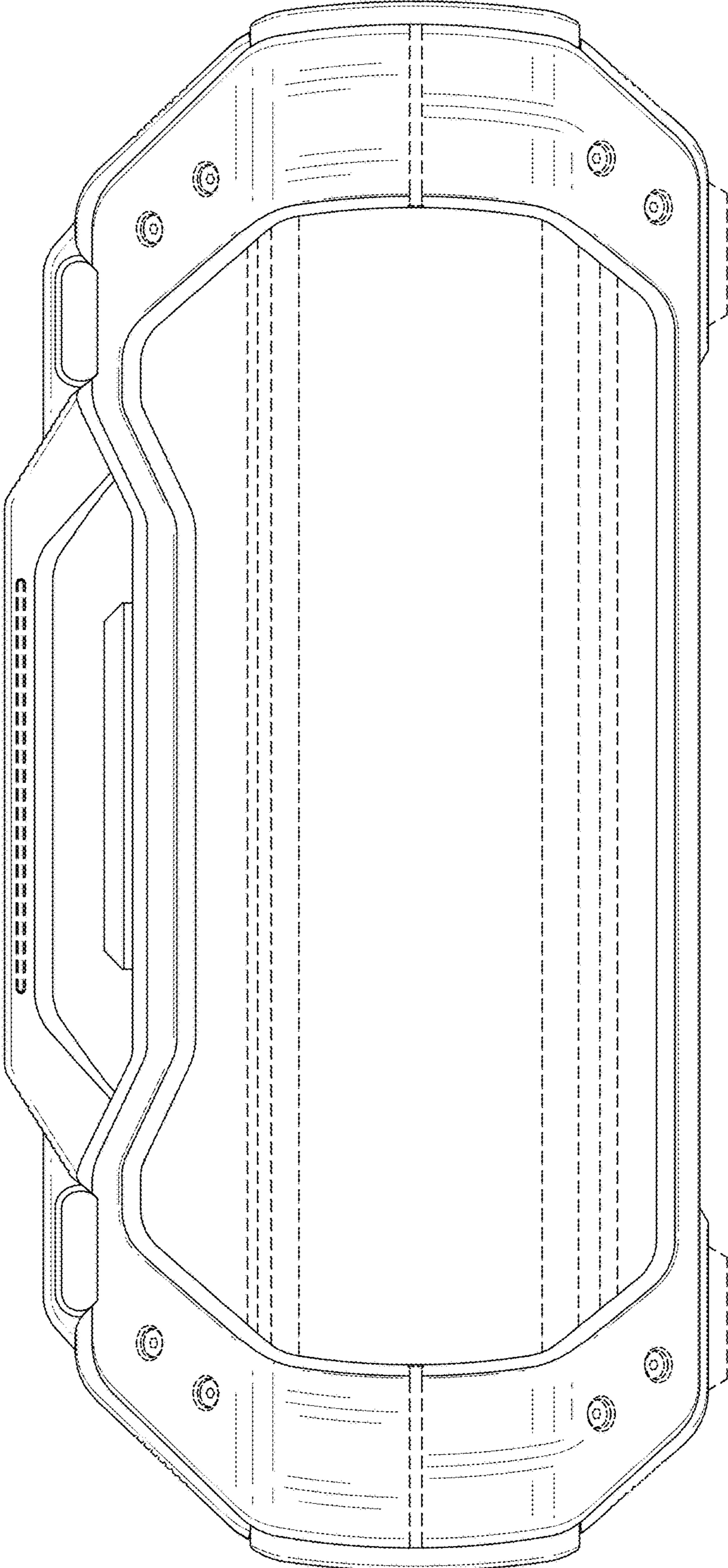


FIG. 3

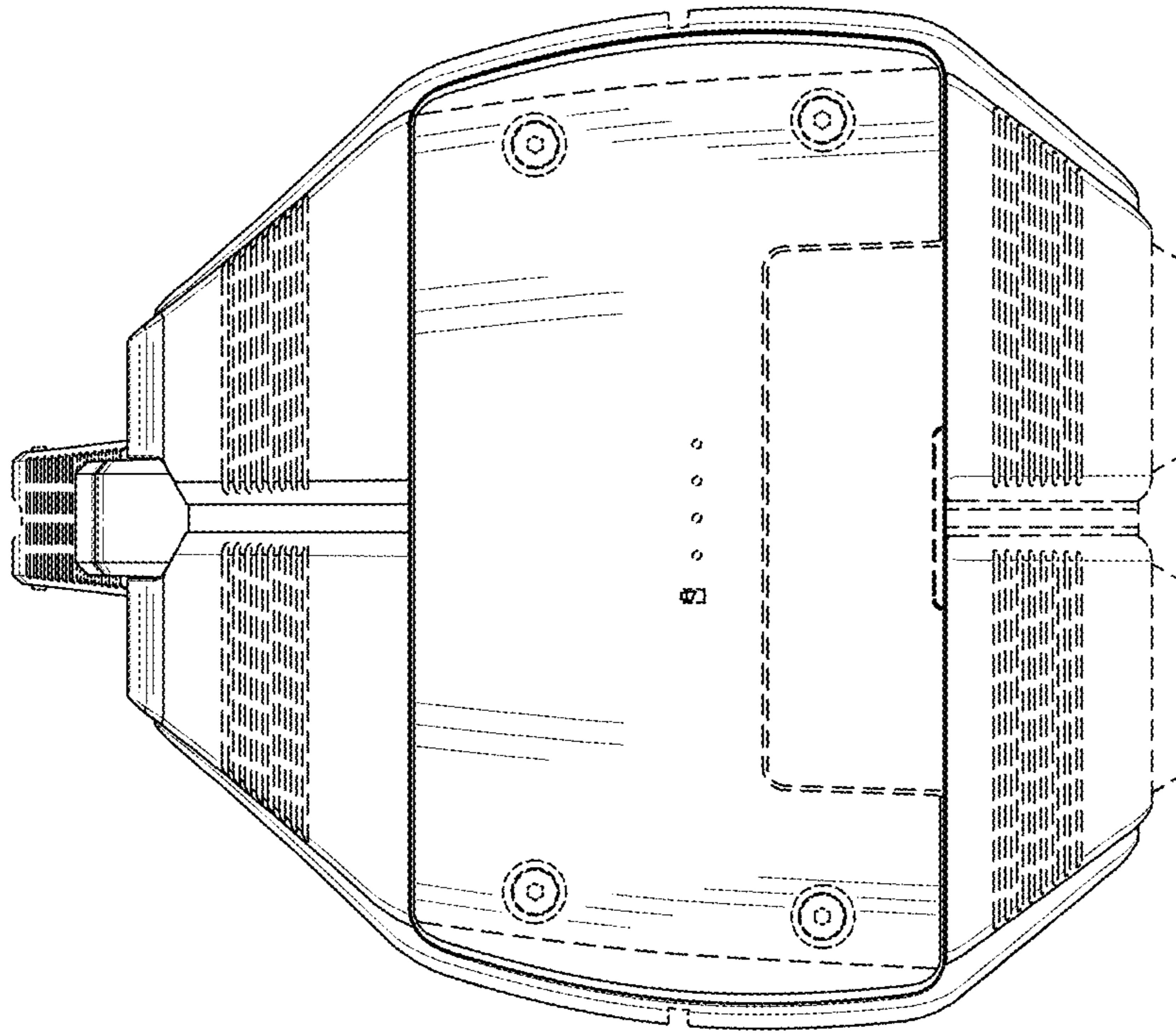


FIG. 5

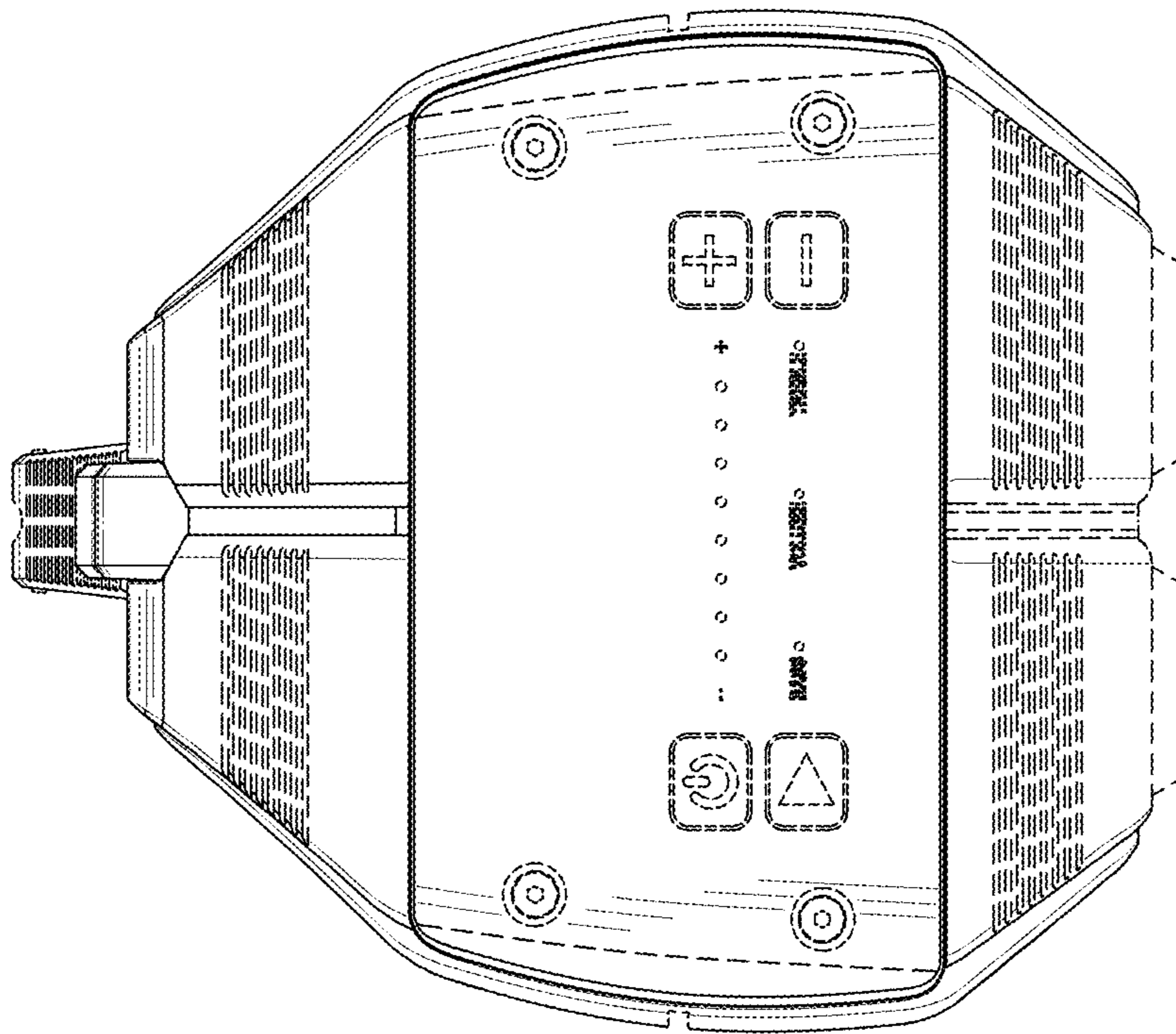


FIG. 4

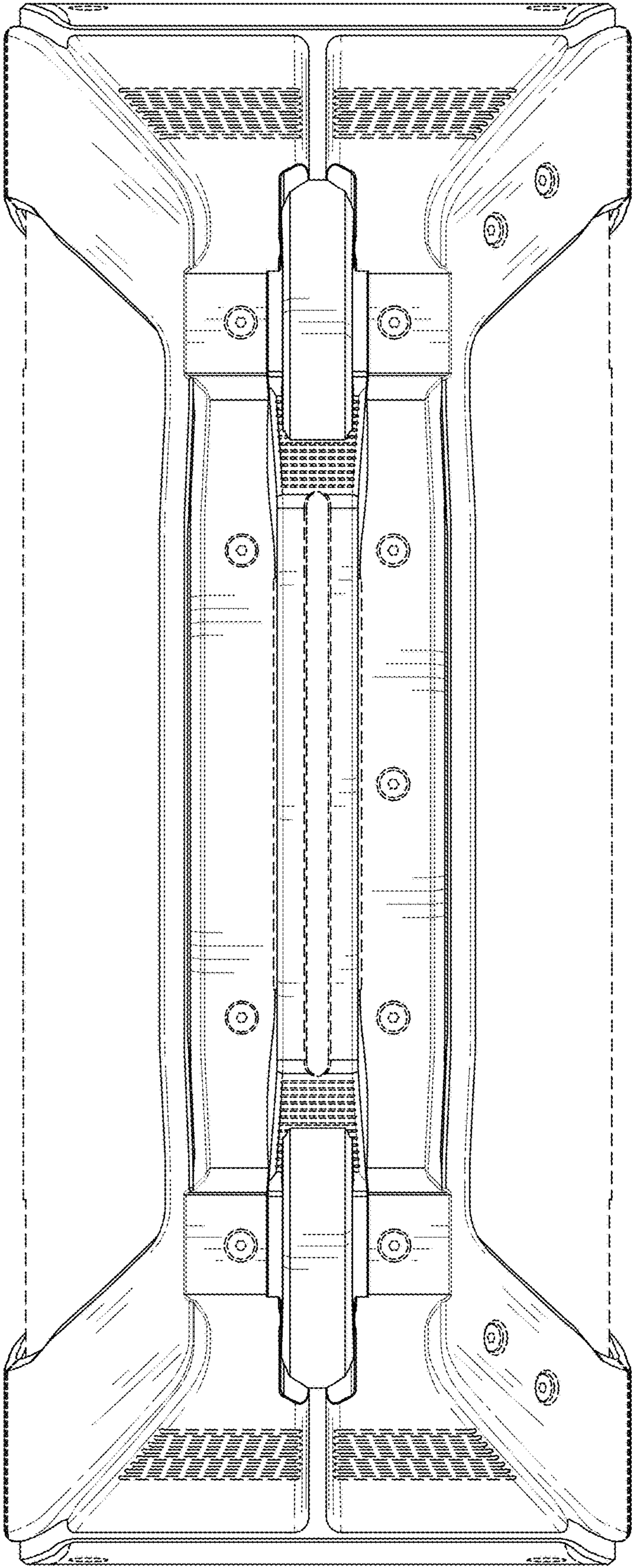


FIG. 6

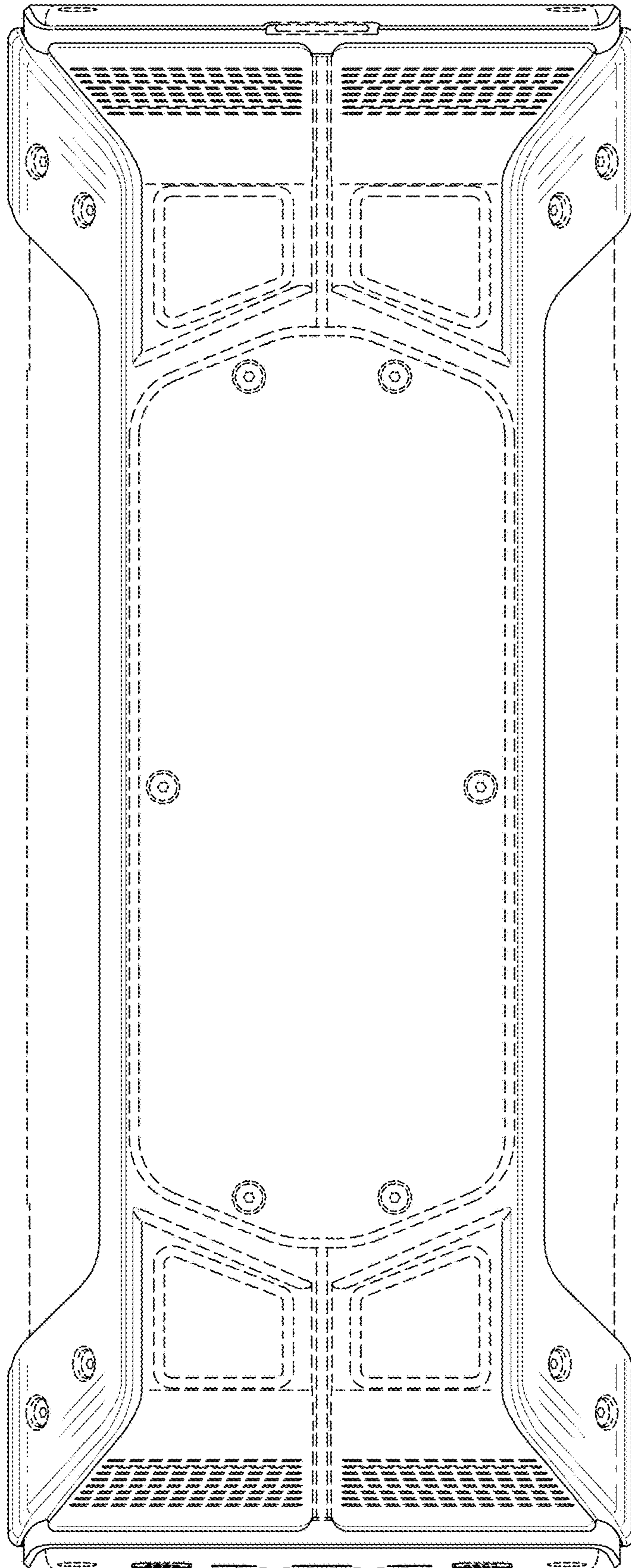


FIG. 7