



US00D794603S

(12) **United States Design Patent**
Riggs et al.

(10) **Patent No.:** **US D794,603 S**

(45) **Date of Patent:** **** Aug. 15, 2017**

- (54) **EARPHONE**
- (71) Applicant: **OSSIC Corporation**, La Jolla, CA (US)
- (72) Inventors: **Jason Riggs**, La Jolla, CA (US);
Andrew Downie, La Jolla, CA (US);
David Carr, La Jolla, CA (US);
Patrick Triato, Portland, OR (US)
- (73) Assignee: **Ossic Corporation**, San Diego, CA (US)
- (**) Term: **15 Years**
- (21) Appl. No.: **29/555,626**
- (22) Filed: **Feb. 23, 2016**
- (51) **LOC (10) Cl.** **14-01**
- (52) **U.S. Cl.**
USPC **D14/205**
- (58) **Field of Classification Search**
USPC D14/205; D29/112; 2/209; 181/129,
181/130, 135; 379/430, 431; 381/380,
381/381; 455/575.1
CPC H04R 5/0335; H04R 1/105; H04R 1/10;
H04R 25/00; H04R 1/1016; H04R
1/1066; H05R 5/033
See application file for complete search history.

(56) **References Cited**

U.S. PATENT DOCUMENTS

- 1,368,307 A * 2/1921 Waldron A42B 3/16
181/129
- 1,395,864 A * 11/1921 Pape H04R 5/0335
381/379
- 1,558,191 A * 10/1925 Lindemann H04R 1/1008
128/864
- 1,615,028 A * 1/1927 Morser H04M 1/19
379/447

- 2,409,055 A * 10/1946 McCann A42B 3/10
2/209
- 2,593,892 A * 4/1952 Kindel A42B 3/166
128/866
- 2,621,751 A * 12/1952 Kettler H04R 1/1016
181/129
- 2,669,610 A * 2/1954 Dent H04R 1/12
379/452
- 3,051,961 A * 9/1962 Clark A61F 11/14
181/129
- 3,073,410 A * 1/1963 Gongoll A61F 11/14
128/867
- 3,192,326 A * 6/1965 Chapman H04M 1/05
264/48
- 3,220,505 A * 11/1965 Hargrave H04M 1/05
181/129
- 3,454,964 A * 7/1969 Brinkhoff A61F 11/14
2/209
- 3,477,067 A * 11/1969 Aileo A42B 3/166
2/209
- 3,488,457 A * 1/1970 Lahti H04R 1/1008
381/371

(Continued)

Primary Examiner — Paula Greene

(74) *Attorney, Agent, or Firm* — Perkins Coie LLP

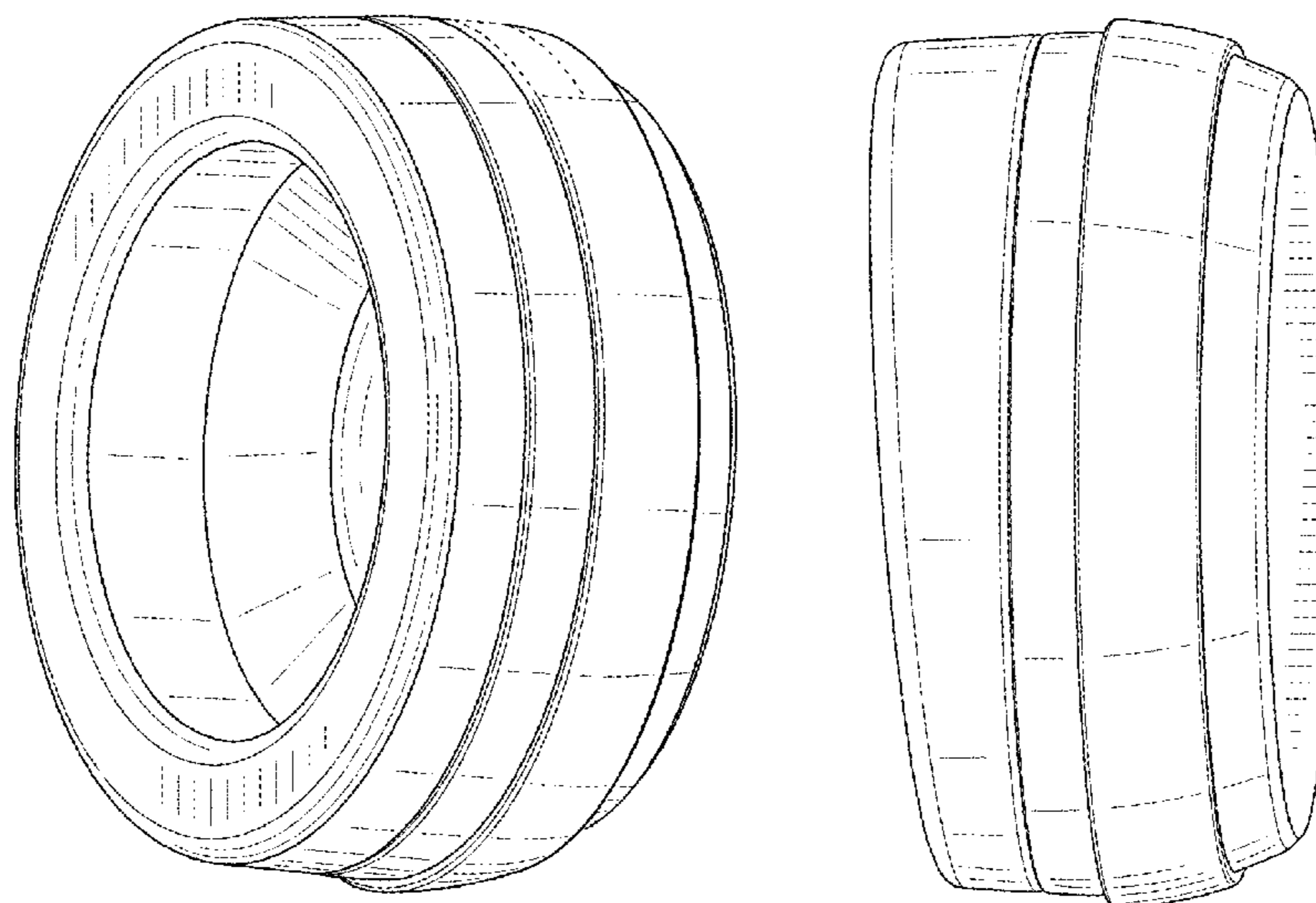
(57) **CLAIM**

The ornamental design for an earphone, as shown and described.

DESCRIPTION

FIG. 1 is a left side isometric view of an embodiment of an earphone showing our new design;
 FIG. 2 is a rear elevation view thereof;
 FIG. 3 is a front elevation view thereof;
 FIG. 4 is a top plan view thereof;
 FIG. 5 is a bottom plan view thereof.
 FIG. 6 is right side elevation view thereof; and,
 FIG. 7 is a left side elevation view thereof.
 The broken lines in the drawings represent environmental subject matter that forms no part of the claimed design.

1 Claim, 7 Drawing Sheets



(56)

References Cited

U.S. PATENT DOCUMENTS

3,505,684 A * 4/1970 Hutchinson A61F 11/14
2/209
3,644,939 A * 2/1972 Beguin A61F 11/14
2/209
D235,149 S * 5/1975 Dascal D14/168
3,908,200 A * 9/1975 Lundin A61F 11/14
2/209
3,922,725 A * 12/1975 Csiki A61F 11/14
2/209
D244,300 S * 5/1977 Besasie D14/205
D255,352 S * 6/1980 Besasie D14/205
D256,519 S * 8/1980 Hirsch D29/115
D270,634 S * 9/1983 Ungar D14/205
4,459,707 A * 7/1984 Stallings A61F 11/14
181/129
4,572,324 A * 2/1986 Fidi H04R 1/1008
181/129
4,597,469 A * 7/1986 Nagashima H04R 5/0335
181/129
D286,772 S * 11/1986 Pope D14/205
D299,454 S * 1/1989 Kwong D14/205
D300,133 S * 3/1989 Daidoh D14/205
4,856,118 A * 8/1989 Sapiejewski H04R 1/1008
181/129
D305,541 S * 1/1990 Hirose D14/205
4,905,322 A * 3/1990 Aileo A42B 3/166
181/129
D310,081 S * 8/1990 Daido D14/205
D310,223 S * 8/1990 Chudnow D14/205
D313,092 S * 12/1990 Nilsson D14/205
D316,551 S * 4/1991 Ichikawa D14/205
5,018,599 A * 5/1991 Dohi H04R 1/1008
181/129
5,020,163 A * 6/1991 Aileo A61F 11/14
181/129
D323,167 S * 1/1992 Yamazaki D14/205
D337,115 S * 7/1993 Yamazaki D14/205
D338,010 S * 8/1993 Yamatogi D14/205
D346,802 S * 5/1994 Sacherman D14/206
D350,354 S * 9/1994 Nakamura D14/205
D351,172 S * 10/1994 Nakamura D14/205
D351,598 S * 10/1994 Nakamura D14/205
D358,388 S * 5/1995 Nakamura D14/205
D358,390 S * 5/1995 Hayashi D14/205
5,497,427 A * 3/1996 Nageno H04R 5/033
381/381
D368,716 S * 4/1996 Shudo D14/205
D375,584 S * 11/1996 Westerdal D29/112
D376,598 S * 12/1996 Hayashi D14/205
D385,665 S * 10/1997 Westerdal D29/112
D386,181 S * 11/1997 Fisher D14/192
5,996,123 A * 12/1999 Leight A61F 11/14
128/867
D430,140 S * 8/2000 Roman D14/205
6,392,196 B1 * 5/2002 Lin A61F 11/14
2/209

6,449,806 B1 * 9/2002 Engelhard H04M 1/05
2/209
D463,857 S * 10/2002 Dix D24/106
D484,485 S * 12/2003 Matsuoka D14/205
D494,154 S * 8/2004 Polito D14/206
D505,411 S * 5/2005 Sakai D14/192
7,072,483 B2 * 7/2006 Lenhard-Backhaus H04R 1/1066
381/370
D534,155 S * 12/2006 Obata D14/205
D540,301 S * 4/2007 Obata D14/205
D547,008 S * 7/2007 Machold D29/112
D593,995 S * 6/2009 Shimizu D14/205
D625,705 S * 10/2010 Ohoi D14/205
D632,668 S * 2/2011 Brunner D14/205
D635,959 S * 4/2011 Hutchieson D14/205
D657,344 S * 4/2012 Brunner D14/205
D657,776 S * 4/2012 Lee D14/205
D660,823 S * 5/2012 Hardi D14/205
D662,080 S * 6/2012 Carr D14/205
D673,518 S * 1/2013 Tan D14/205
D673,520 S * 1/2013 Tan D14/205
D675,595 S * 2/2013 Cho D14/205
D678,860 S * 3/2013 Hagelin D14/205
D683,329 S * 5/2013 Hagelin D14/205
8,638,969 B2 * 1/2014 Kuhtz H04R 1/1008
381/371
D699,702 S * 2/2014 Chen D14/205
D707,201 S * 6/2014 Arjomand H04R 25/652
D14/205
8,767,996 B1 * 7/2014 Lin H04R 1/1091
381/370
D715,271 S * 10/2014 Lee D14/205
D733,090 S * 6/2015 Petersen D14/205
D739,378 S * 9/2015 Chung D14/205
D739,842 S * 9/2015 Birger D14/205
D750,041 S * 2/2016 Birger D14/205
D775,605 S * 1/2017 Lee D14/205
D776,081 S * 1/2017 Willman D14/205
2001/0050997 A1 * 12/2001 Cho H04R 1/1016
381/380
2003/0034198 A1 * 2/2003 Cushman A61F 11/14
181/129
2005/0111687 A1 * 5/2005 Lederer G01R 33/283
381/380
2005/0273910 A1 * 12/2005 Cozens A42B 3/12
2/411
2006/0204027 A1 * 9/2006 Sung H01Q 1/243
381/370
2012/0082336 A1 * 4/2012 Wubker H04R 25/654
381/380
2012/0140973 A1 * 6/2012 Olodort H04R 1/1066
381/375
2012/0328119 A1 * 12/2012 Heise H04R 1/1066
381/74
2014/0166389 A1 * 6/2014 Young-Mun H04R 1/1058
181/135
2015/0117693 A1 * 4/2015 Akino H04R 1/1008
381/370
2015/0382101 A1 * 12/2015 Dai H04R 1/105
381/375

* cited by examiner

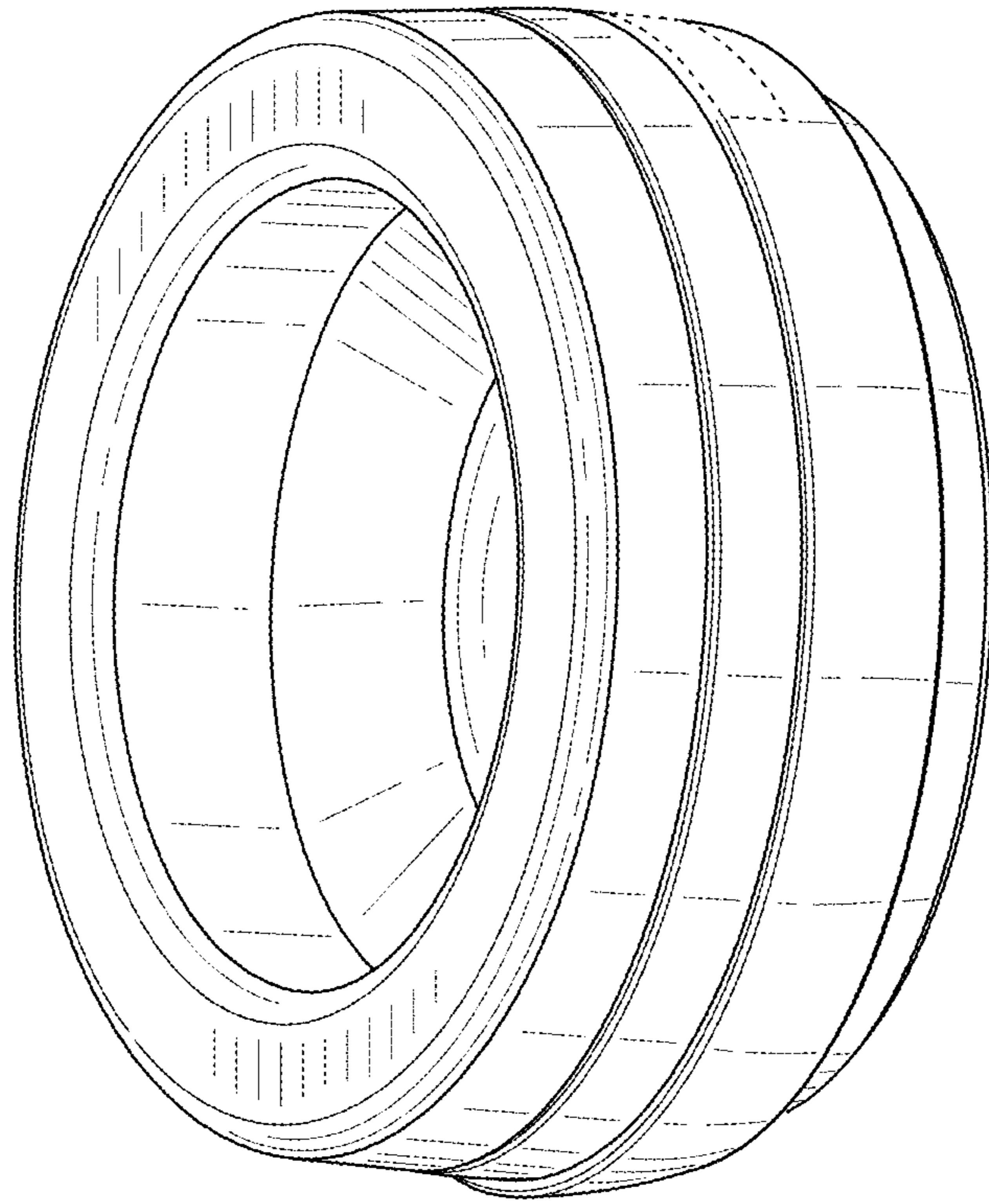


Fig. 1

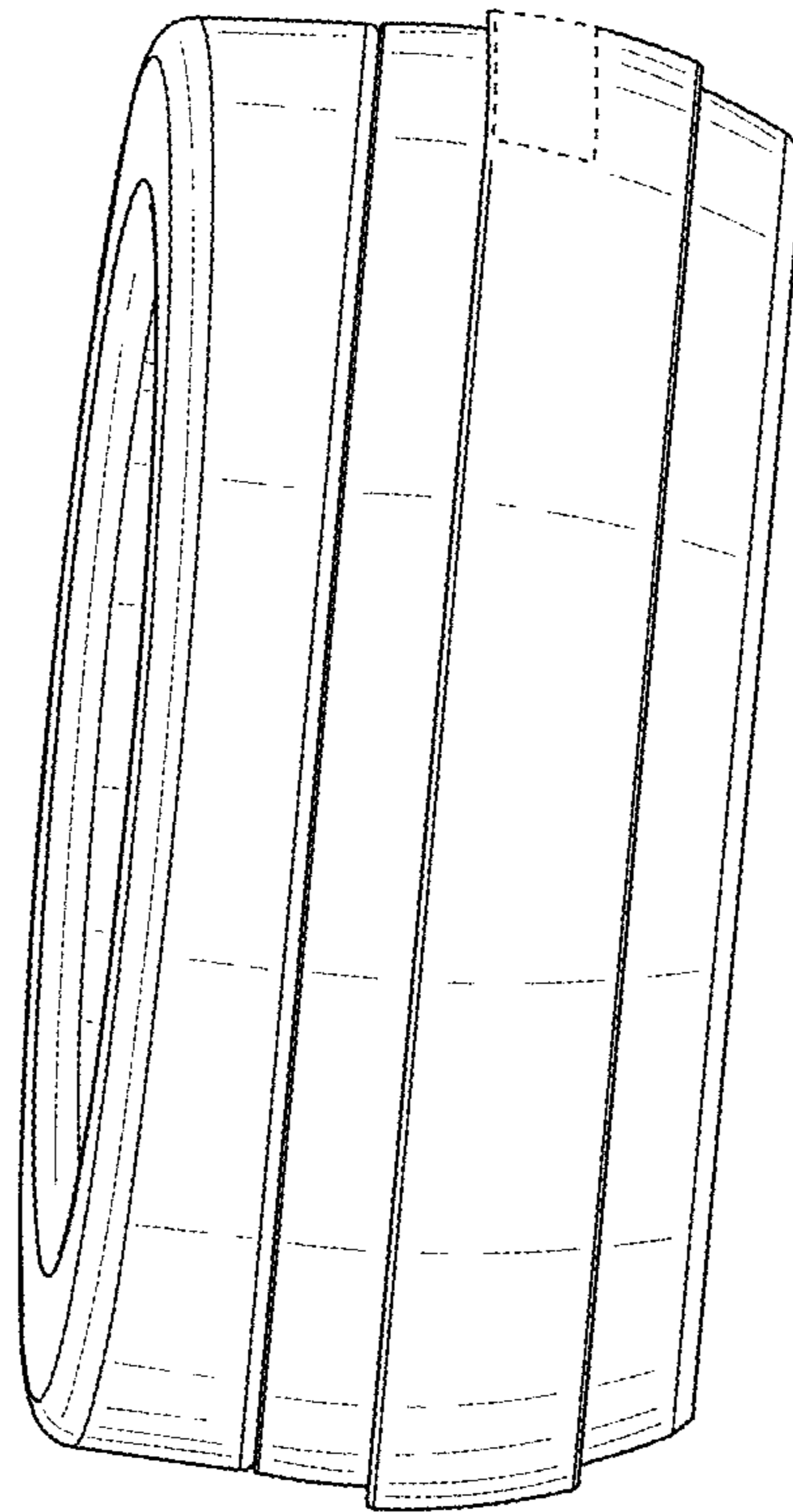


Fig. 2

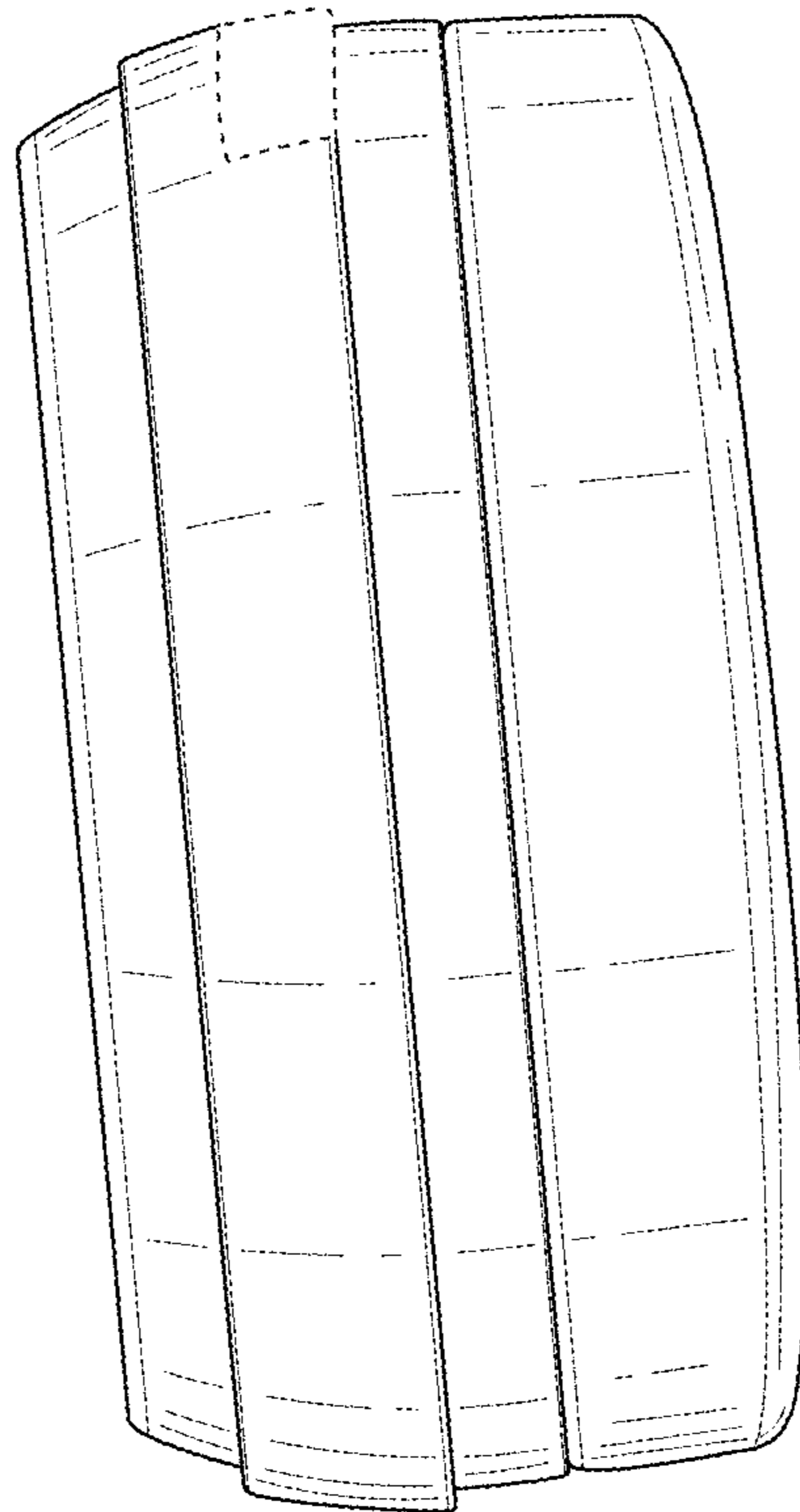


Fig. 3

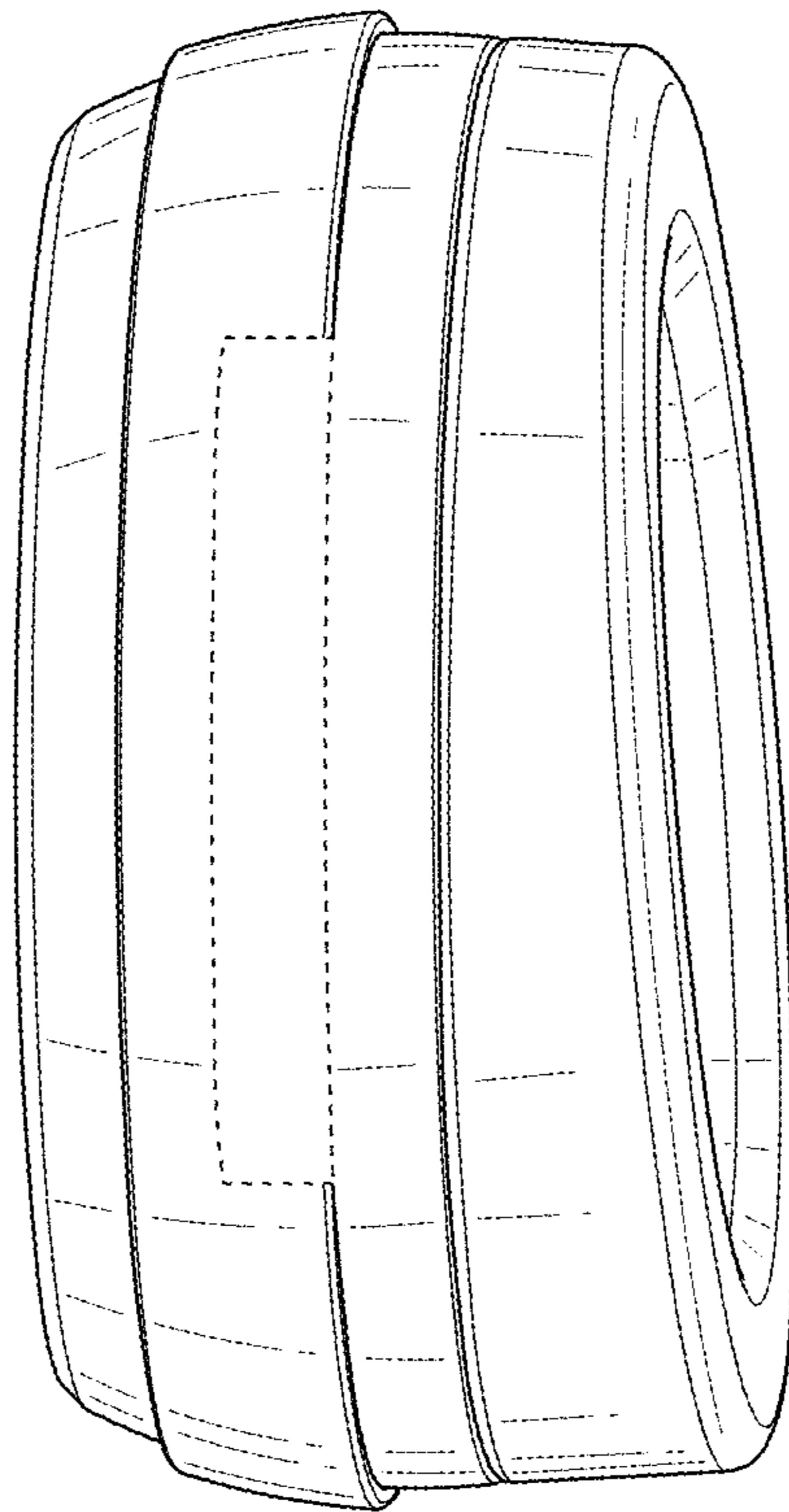


Fig. 4

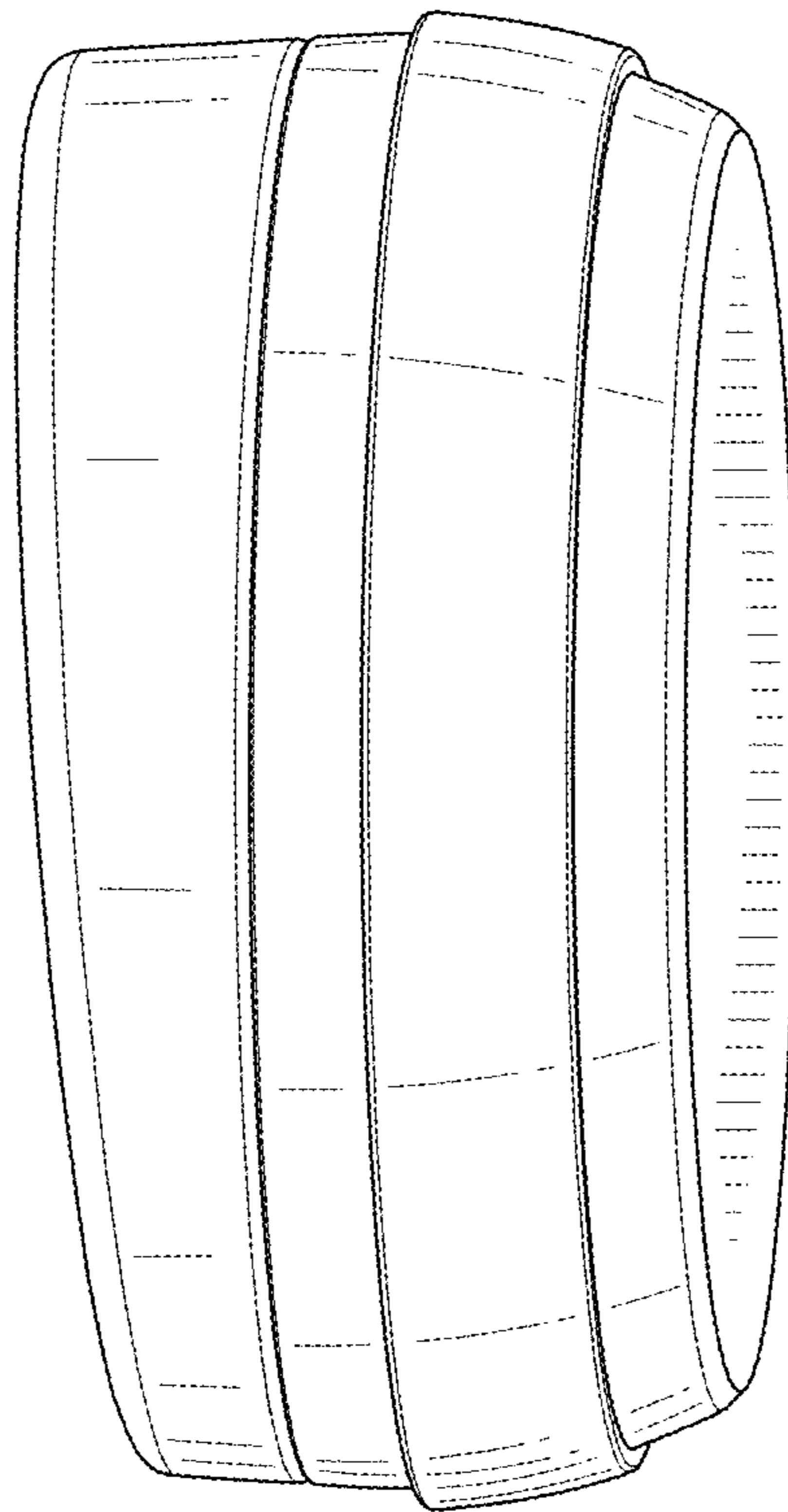


Fig. 5

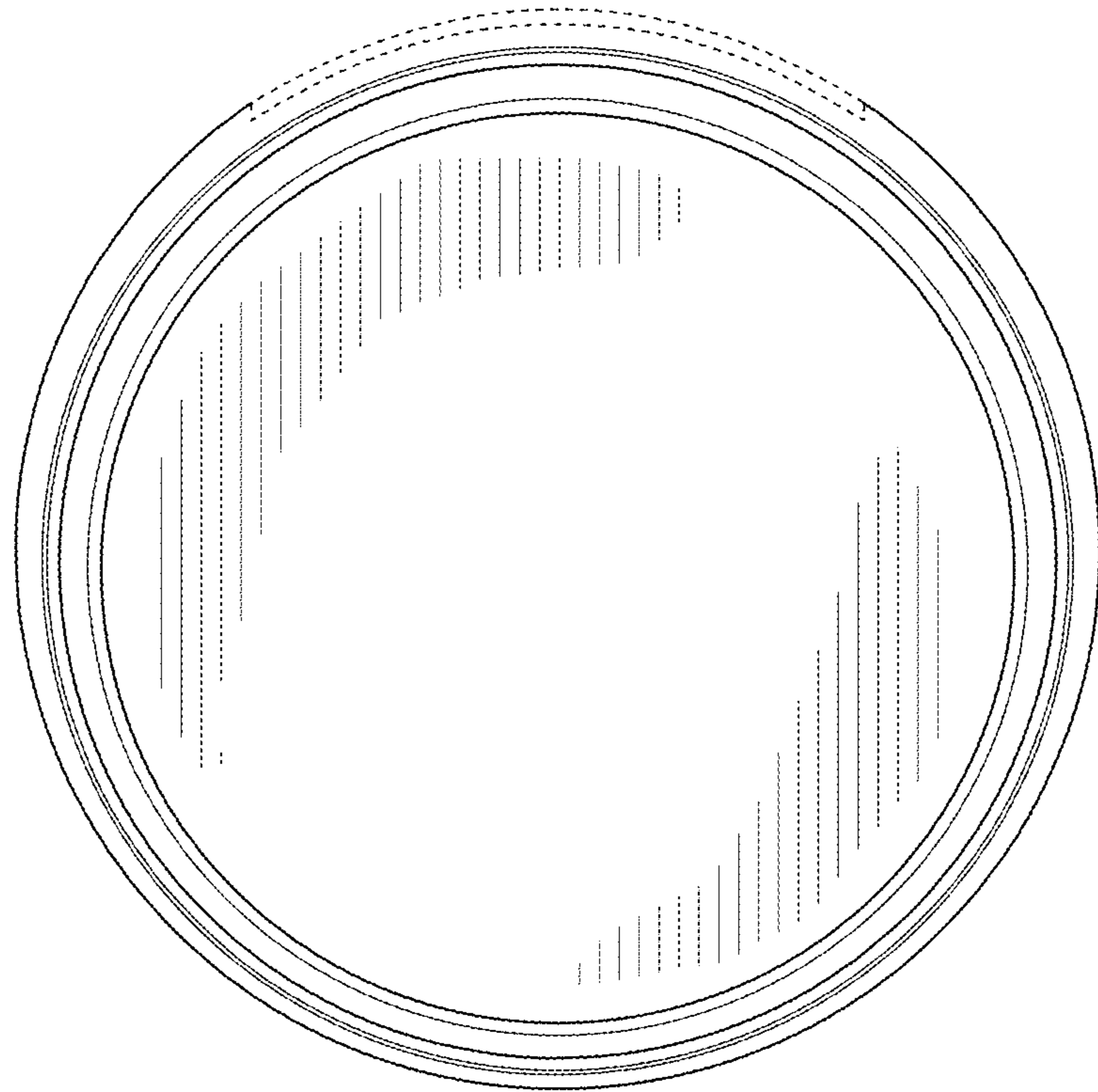


Fig. 6

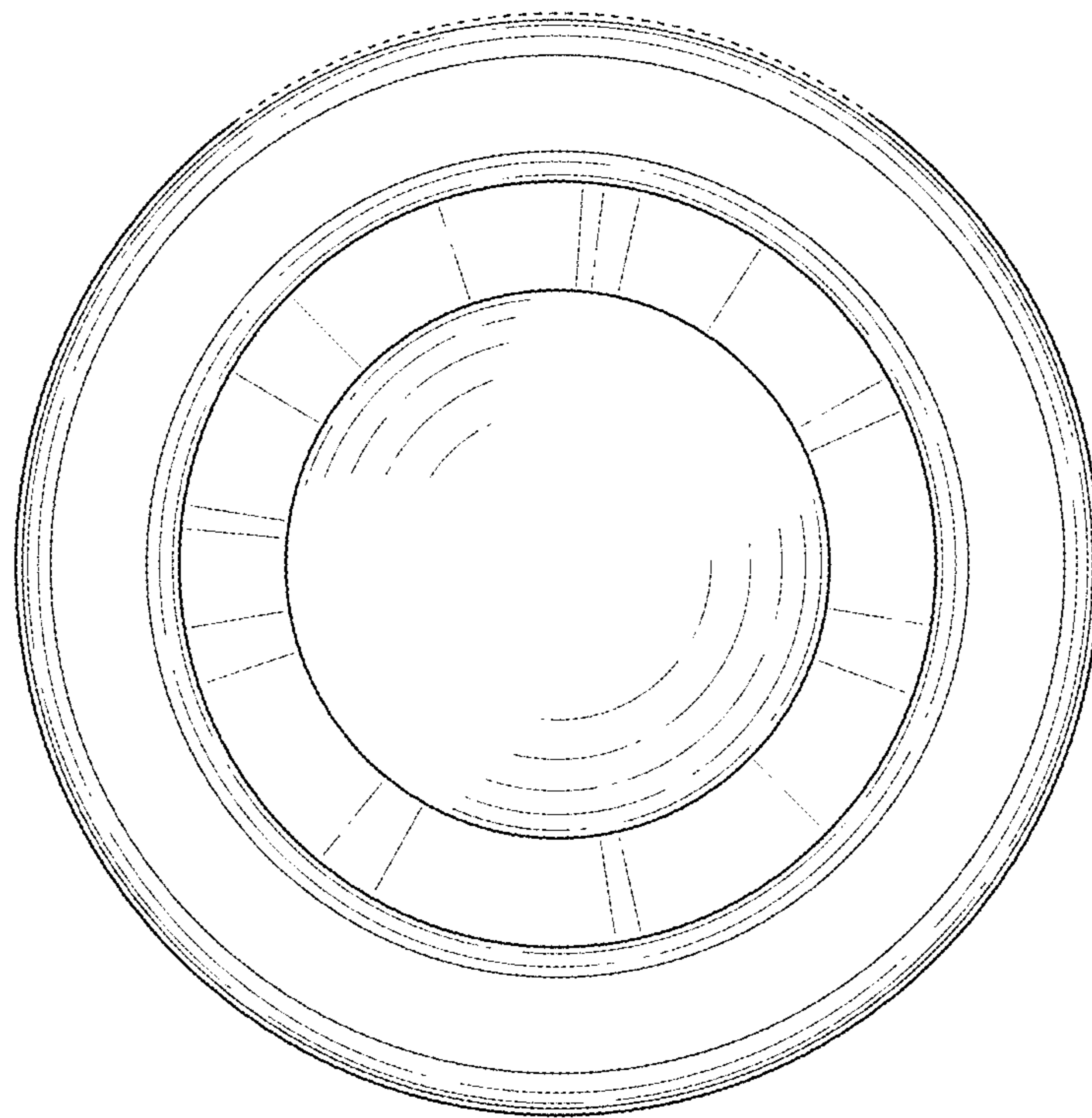


Fig. 7