



US00D794602S

(12) **United States Design Patent**
Riggs et al.

(10) **Patent No.:** **US D794,602 S**

(45) **Date of Patent:** **** Aug. 15, 2017**

- (54) **SIDE PORTION OF EARPHONE**
- (71) Applicant: **OSSIC Corporation**, La Jolla, CA (US)
- (72) Inventors: **Jason Riggs**, La Jolla, CA (US);
Andrew Downie, La Jolla, CA (US);
David Carr, La Jolla, CA (US);
Patrick Triato, Portland, OR (US)
- (73) Assignee: **Ossic Corporation**, San Diego, CA (US)
- (**) Term: **15 Years**
- (21) Appl. No.: **29/555,623**
- (22) Filed: **Feb. 23, 2016**
- (51) **LOC (10) Cl.** **14-01**
- (52) **U.S. Cl.**
USPC **D14/205**
- (58) **Field of Classification Search**
USPC D14/205; D29/112; 2/209; 379/430,
379/431; 381/380, 381, 74, 375, 374,
381/378, 383; 455/575.1
CPC H04R 1/1066; H04R 1/1016; H04R 25/00;
H04R 1/10; H04R 1/105; H04R 5/033;
H04R 5/0335
See application file for complete search history.

- (56) **References Cited**
U.S. PATENT DOCUMENTS
1,395,864 A * 11/1921 Pape H04R 5/0335
381/379
D256,519 S * 8/1980 Hirsch D29/115
D270,634 S * 9/1983 Ungar D14/205
4,597,469 A * 7/1986 Nagashima H04R 5/0335
181/129
D286,772 S * 11/1986 Pope D14/205
D299,454 S * 1/1989 Kwong D14/205
D300,133 S * 3/1989 Daidoh D14/205

- D305,541 S * 1/1990 Hirose D14/205
- D310,081 S * 8/1990 Daido D14/205
- D310,223 S * 8/1990 Chudnow D14/205
- D316,551 S * 4/1991 Ichikawa D14/205
- D323,167 S * 1/1992 Yamazaki D14/205
- D338,010 S * 8/1993 Yamatogi D14/205
- D346,802 S * 5/1994 Sacherman D14/206
- D350,354 S * 9/1994 Nakamura D14/205
- D351,172 S * 10/1994 Nakamura D14/205
- D351,598 S * 10/1994 Nakamura D14/205
- D358,388 S * 5/1995 Nakamura D14/205
- D368,716 S * 4/1996 Shudo D14/205
- D376,598 S * 12/1996 Hayashi D14/205
- D386,181 S * 11/1997 Fisher D14/192
- D430,140 S * 8/2000 Roman D14/205
- D463,857 S * 10/2002 Dix D24/106
- D484,485 S * 12/2003 Matsuoka D14/205
- D494,154 S * 8/2004 Polito D14/206
- D505,411 S * 5/2005 Sakai D14/192
- 7,072,483 B2 * 7/2006 Lenhard-
Backhaus H04R 1/1066
381/370

(Continued)

Primary Examiner — Paula Greene

(74) Attorney, Agent, or Firm — Perkins Coie LLP

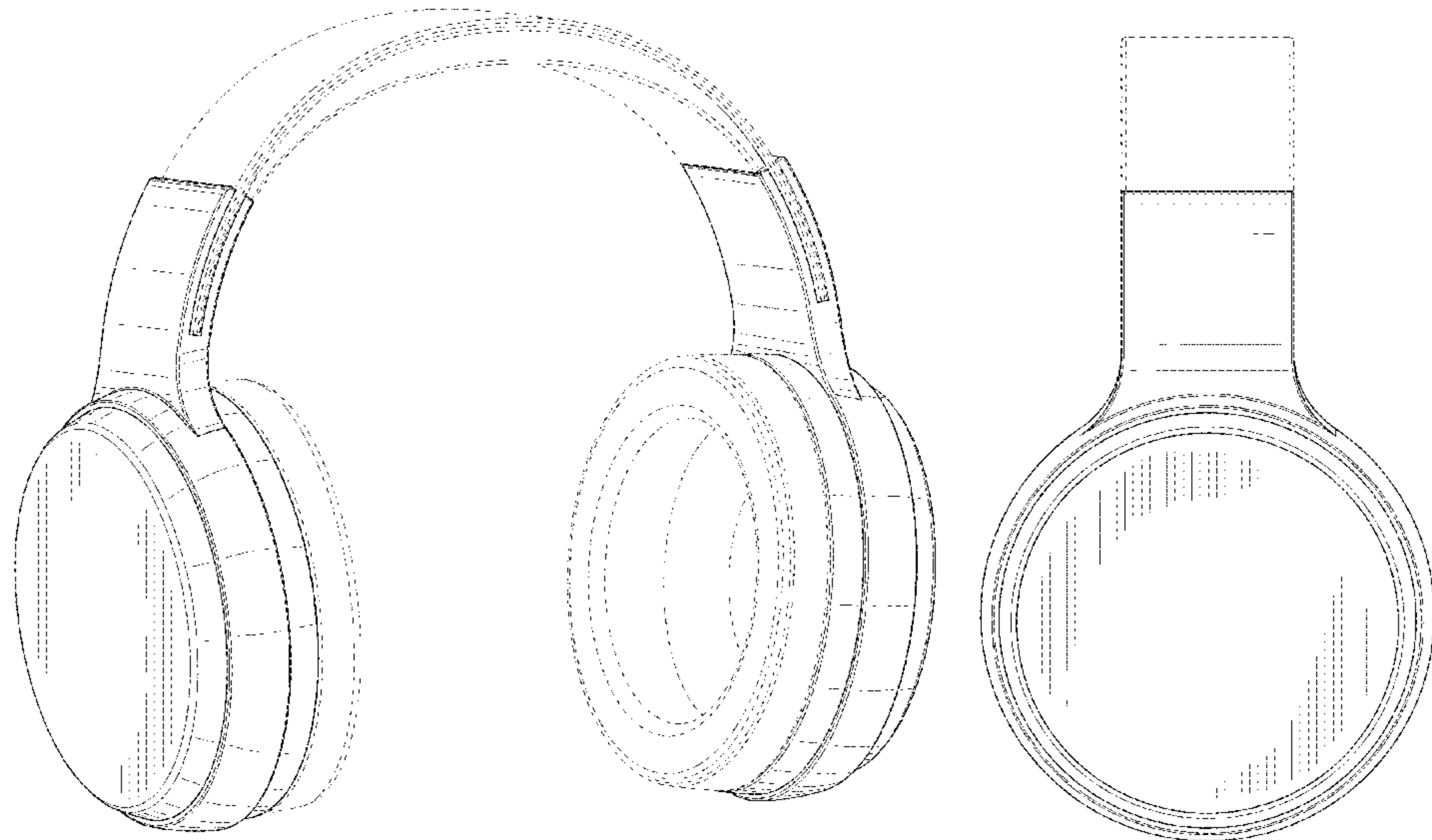
(57) **CLAIM**

The ornamental design for side portion of earphone, as shown and described.

DESCRIPTION

FIG. 1 is a left side isometric view of an embodiment of side portion of earphone showing our new design;
 FIG. 2 is a rear elevation view thereof;
 FIG. 3 is a front elevation view thereof;
 FIG. 4 is a top plan view thereof;
 FIG. 5 is a bottom plan view thereof.
 FIG. 6 is first side elevation view thereof; and,
 FIG. 7 is a second side elevation view thereof.
 The broken lines depict environment that forms no part of the claimed design.

1 Claim, 7 Drawing Sheets



(56)

References Cited

U.S. PATENT DOCUMENTS

| | | | | | | |
|--------------|----|---|---------|------------|-------|------------------------|
| D534,155 | S | * | 12/2006 | Obata | | D14/205 |
| D540,301 | S | * | 4/2007 | Obata | | D14/205 |
| D593,995 | S | * | 6/2009 | Shimizu | | D14/205 |
| D625,705 | S | * | 10/2010 | Ohori | | D14/205 |
| D632,668 | S | * | 2/2011 | Brunner | | D14/205 |
| D635,959 | S | * | 4/2011 | Hutchieson | | D14/205 |
| D657,344 | S | * | 4/2012 | Brunner | | D14/205 |
| D657,776 | S | * | 4/2012 | Lee | | D14/205 |
| D660,823 | S | * | 5/2012 | Hardi | | D14/205 |
| D662,080 | S | * | 6/2012 | Carr | | D14/205 |
| D673,518 | S | * | 1/2013 | Tan | | D14/205 |
| D673,520 | S | * | 1/2013 | Tan | | D14/205 |
| D675,595 | S | * | 2/2013 | Cho | | D14/205 |
| D678,860 | S | * | 3/2013 | Hagelin | | D14/205 |
| D683,329 | S | * | 5/2013 | Hagelin | | D14/205 |
| D699,702 | S | * | 2/2014 | Chen | | D14/205 |
| 8,767,996 | B1 | * | 7/2014 | Lin | | H04R 1/1091 381/370 |
| D733,090 | S | * | 6/2015 | Petersen | | D14/205 |
| D739,378 | S | * | 9/2015 | Chung | | D14/205 |
| D739,842 | S | * | 9/2015 | Birger | | D14/205 |
| D750,041 | S | * | 2/2016 | Birger | | D14/205 |
| D775,605 | S | * | 1/2017 | Lee | | D14/205 |
| 2012/0140973 | A1 | * | 6/2012 | Olodort | | H04R 1/1066 381/375 |
| 2012/0328119 | A1 | * | 12/2012 | Heise | | H04R 1/1066 381/74 |
| 2015/0382101 | A1 | * | 12/2015 | Dai | | H04R 1/105 381/375 |

* cited by examiner

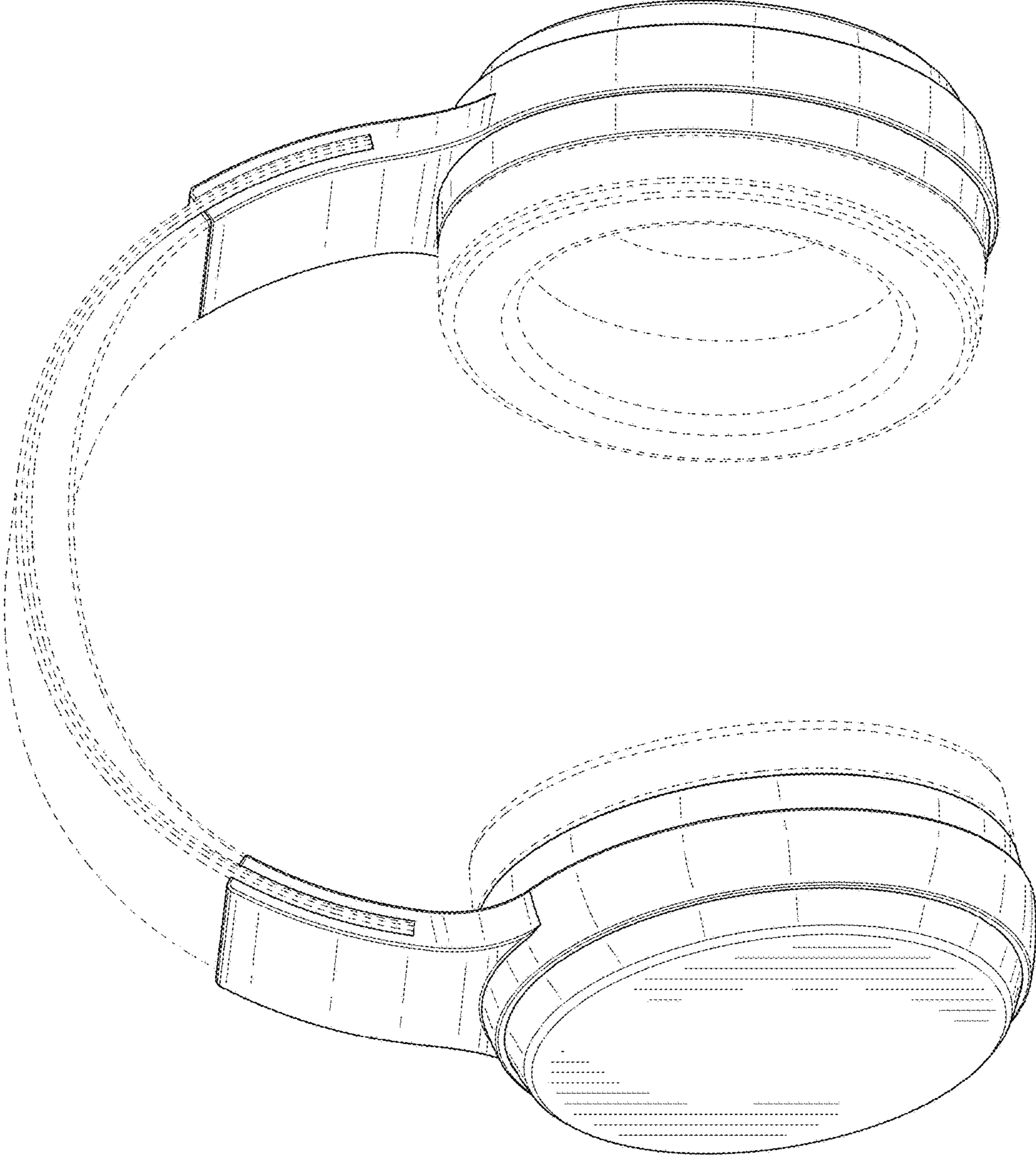


Fig. 1

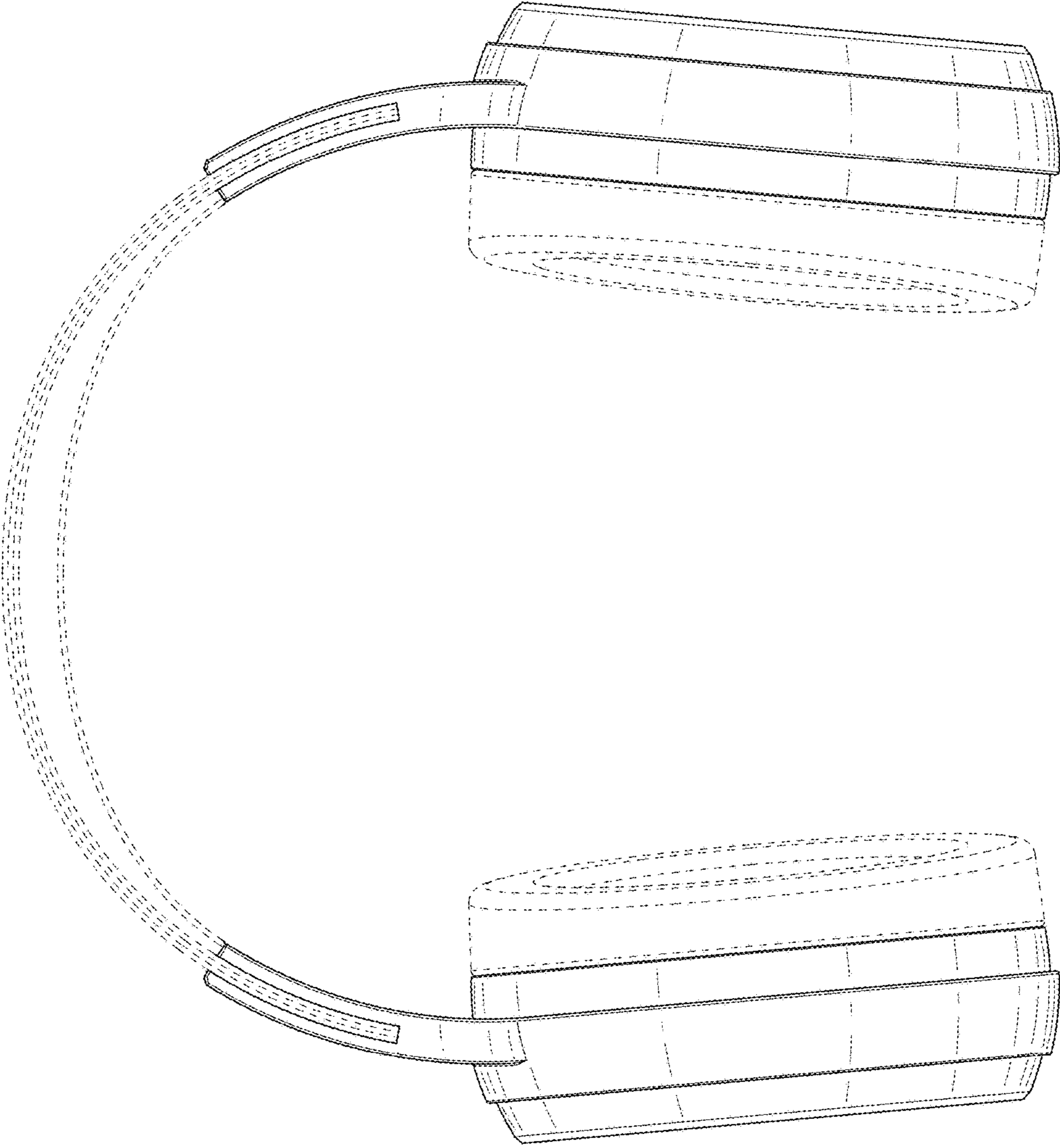


Fig. 2

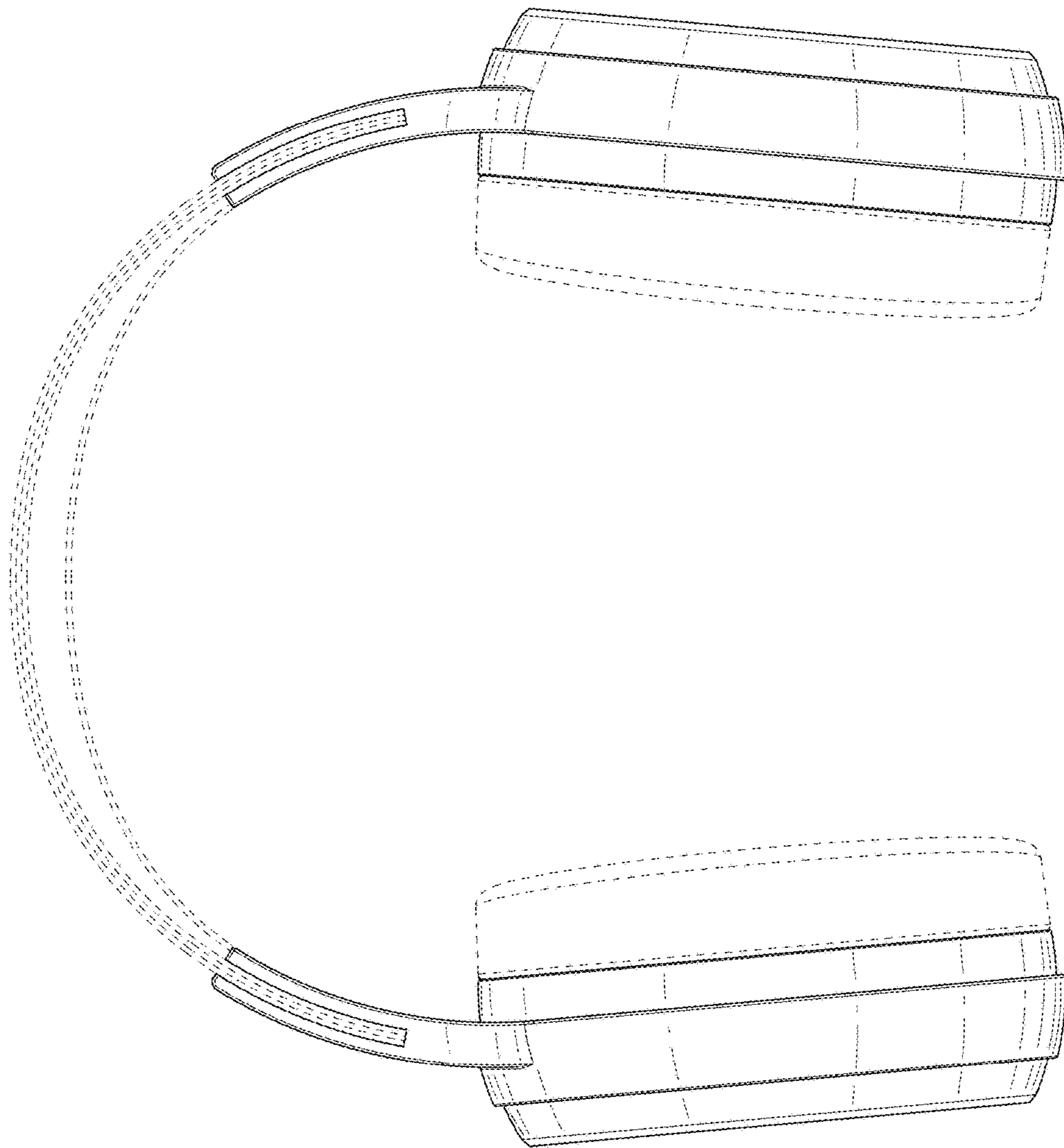


Fig. 3

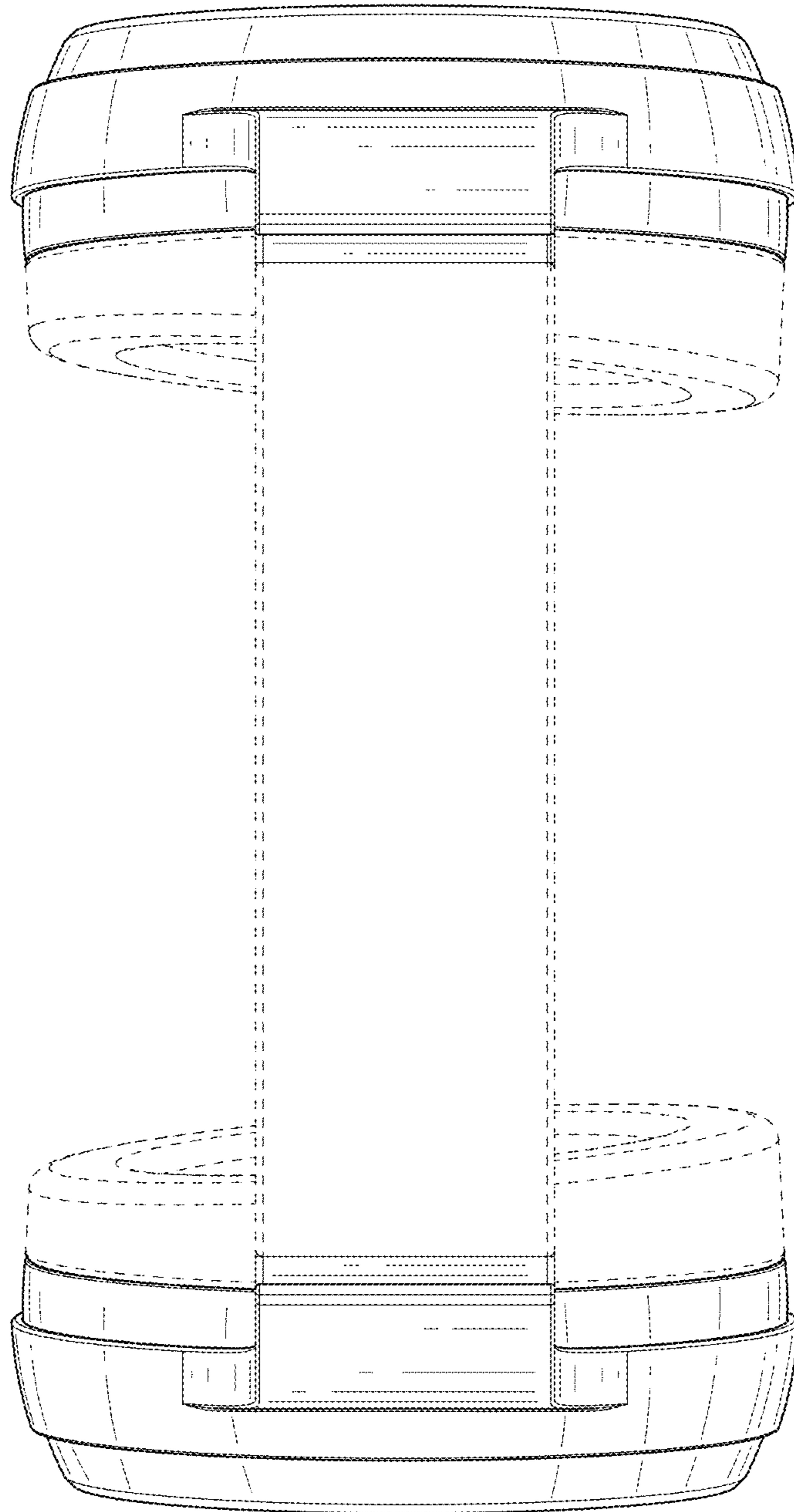


Fig. 4

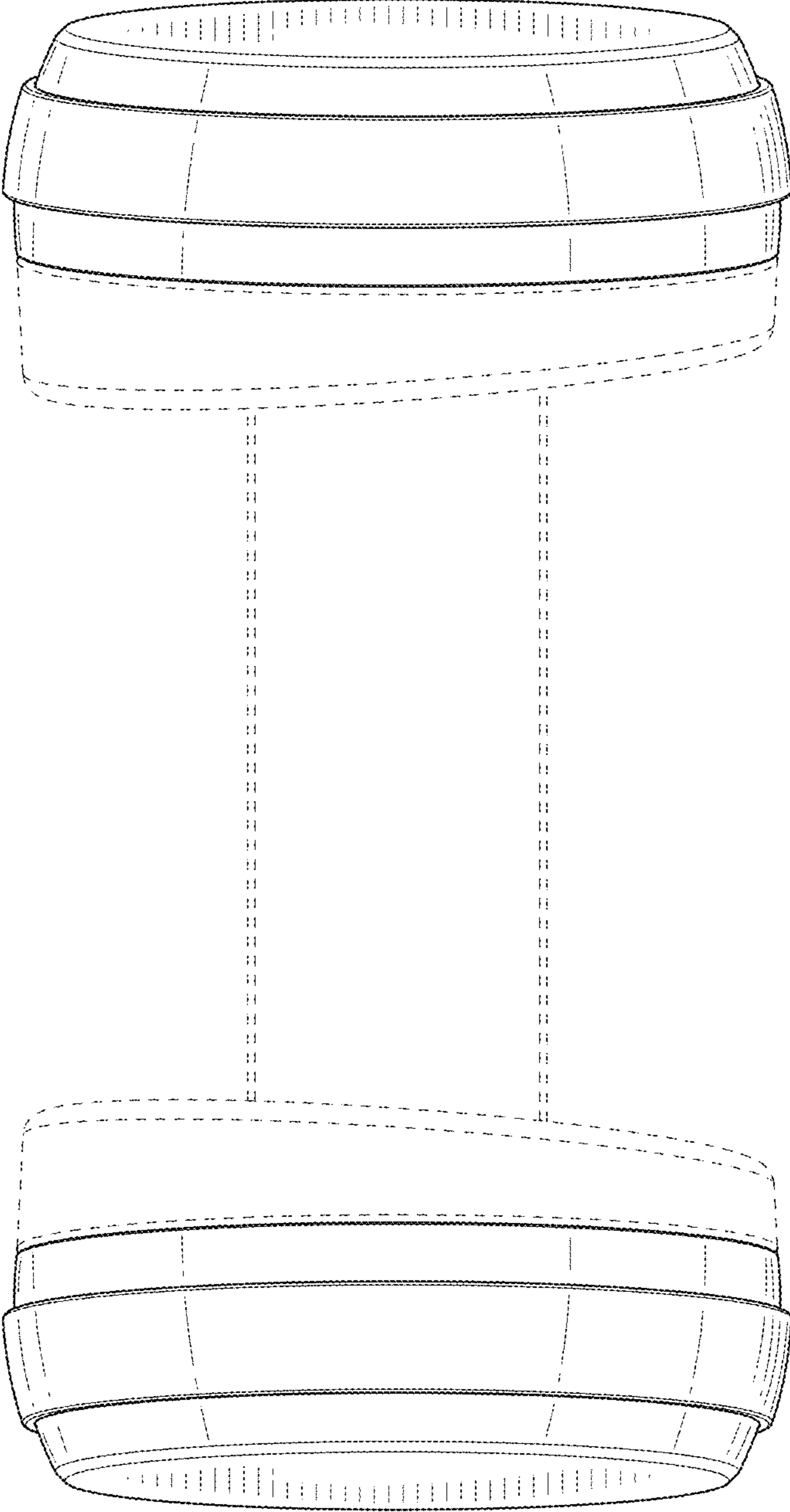


Fig. 5

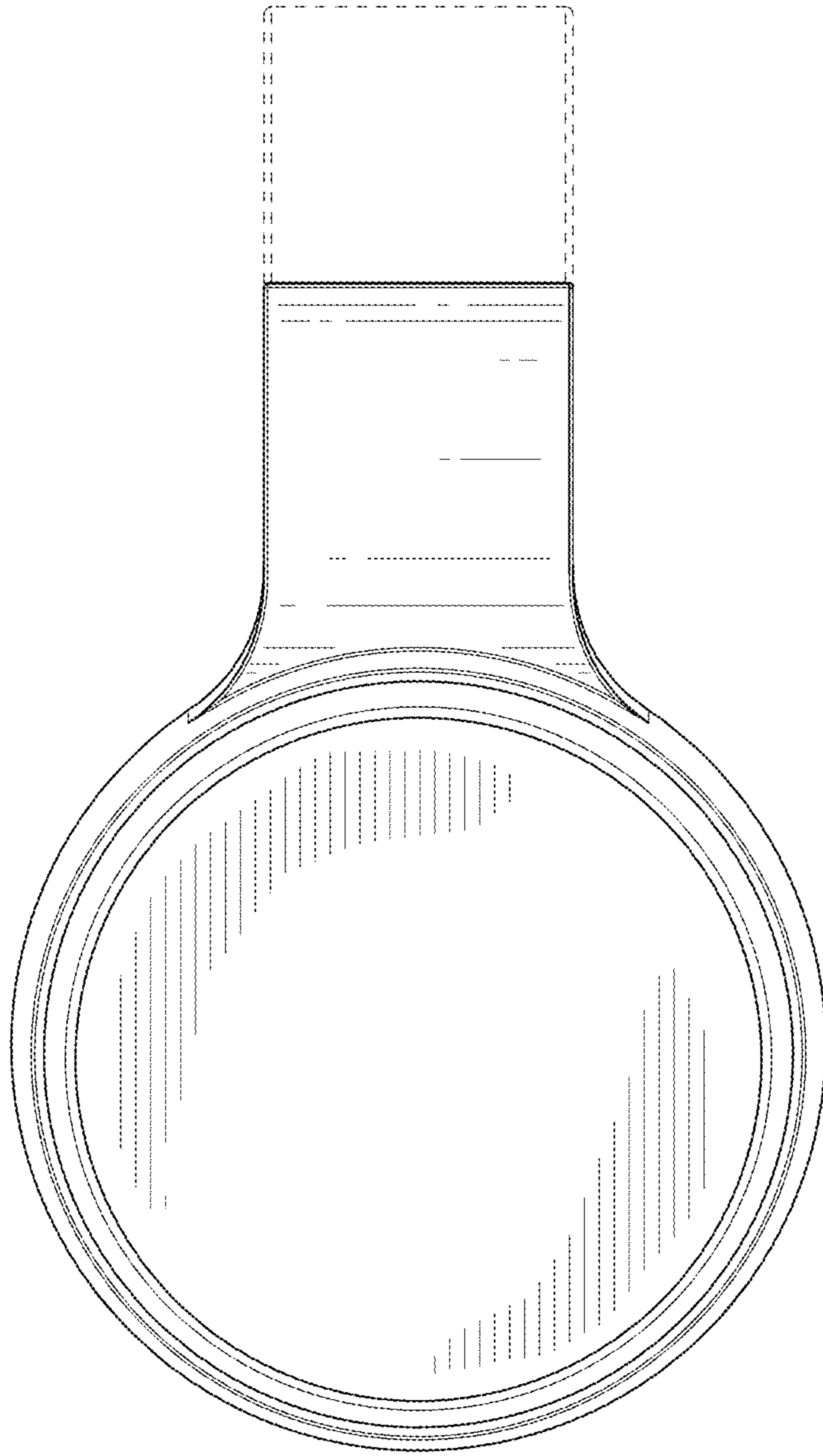


Fig. 6

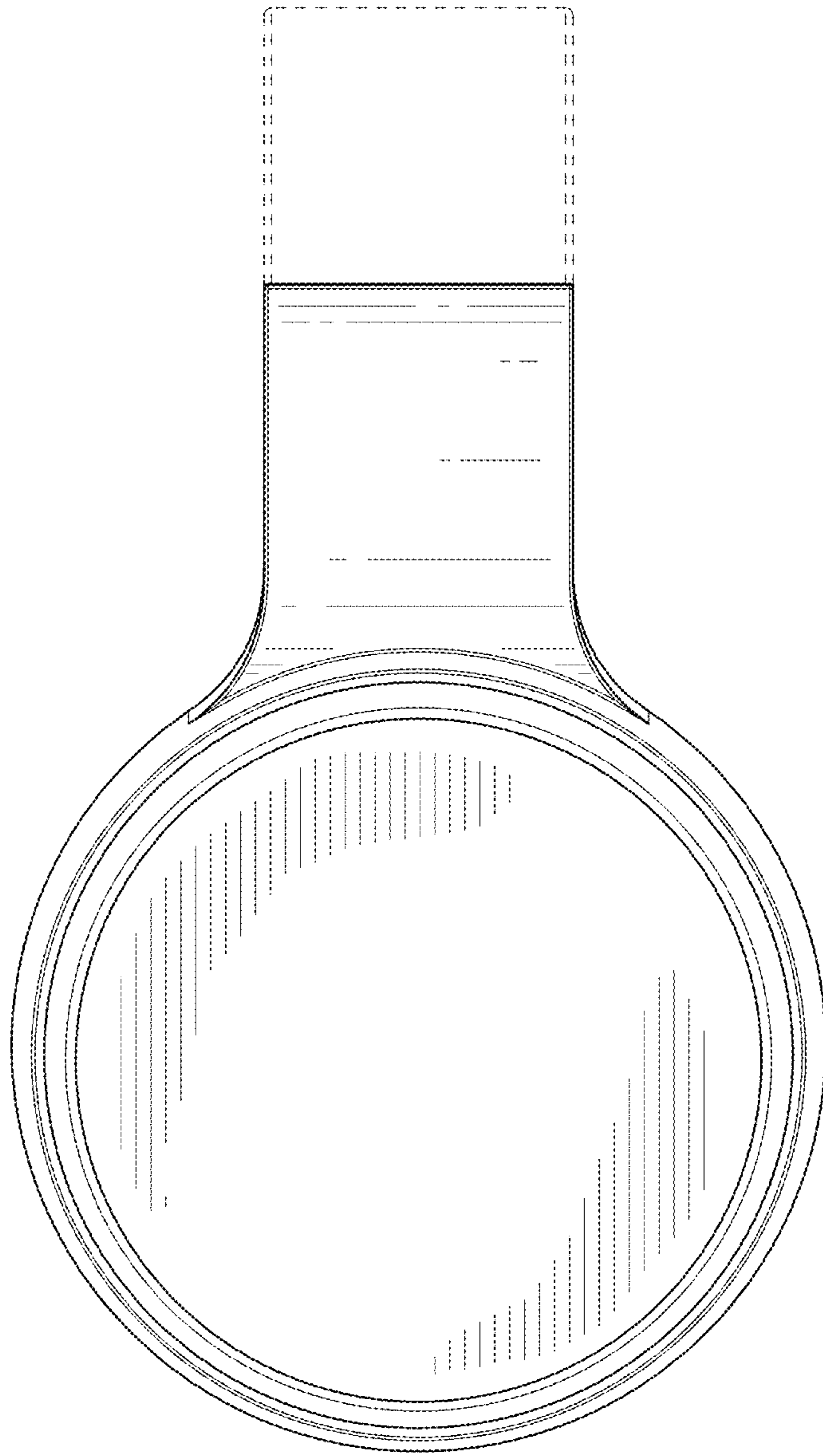


Fig. 7