



US00D794601S

(12) **United States Design Patent** (10) **Patent No.:** **US D794,601 S**
Riggs et al. (45) **Date of Patent:** **** Aug. 15, 2017**

(54) **EARPHONE**

Primary Examiner — Paul Greene

(71) Applicant: **OSSIC Corporation**, La Jolla, CA (US)

(74) *Attorney, Agent, or Firm* — Perkins Coie LLP

(72) Inventors: **Jason Riggs**, La Jolla, CA (US);
Andrew Downie, La Jolla, CA (US);
David Carr, La Jolla, CA (US);
Patrick Triato, Portland, OR (US)

(57) **CLAIM**

The ornamental design for earphone, as shown and described.

(73) Assignee: **Ossic Corporation**, San Diego, CA (US)

DESCRIPTION

(**) Term: **15 Years**

FIG. 1 is a left side isometric view of an embodiment of a listening device showing our new design; FIG. 2 is a rear elevation view thereof; FIG. 3 is a front elevation view thereof; FIG. 4 is a top plan view thereof; FIG. 5 is a bottom plan view thereof; FIG. 6 is first side elevation view thereof; FIG. 7 is a second side elevation view thereof; FIG. 8 is right side isometric view thereof, with the listening device shown having an upper portion extended relative to a lower portion; and FIG. 9 is an additional rear elevation view thereof, with the listening device shown having the upper portion extended relative to the lower portion; FIG. 10 is an additional front elevation view thereof, with the listening device shown having the upper portion extended relative to the lower portion; FIG. 11 is an additional top plan view thereof, with the listening device shown having the upper portion extended relative to the lower portion; FIG. 12 is an additional bottom plan view thereof, with the listening device shown having the upper portion extended relative to the lower portion; FIG. 13 an additional first side elevation view thereof, with the listening device shown having the upper portion extended relative to the lower portion; and, FIG. 14 is an additional second side elevation view thereof, with the listening device shown having the upper portion extended relative to the lower portion.

(21) Appl. No.: **29/555,616**

(22) Filed: **Feb. 23, 2016**

(51) **LOC (10) Cl.** **14-01**

(52) **U.S. Cl.**
USPC **D14/205**

(58) **Field of Classification Search**
USPC D14/205; D29/112; 379/430, 431;
381/380, 381, 74, 375, 374, 378, 379,
381/383; 455/575.1; 2/209
CPC H04R 1/1066; H04R 1/1016; H04R 25/00;
H04R 1/10; H04R 5/105; H04R 5/033;
H04R 5/0335
See application file for complete search history.

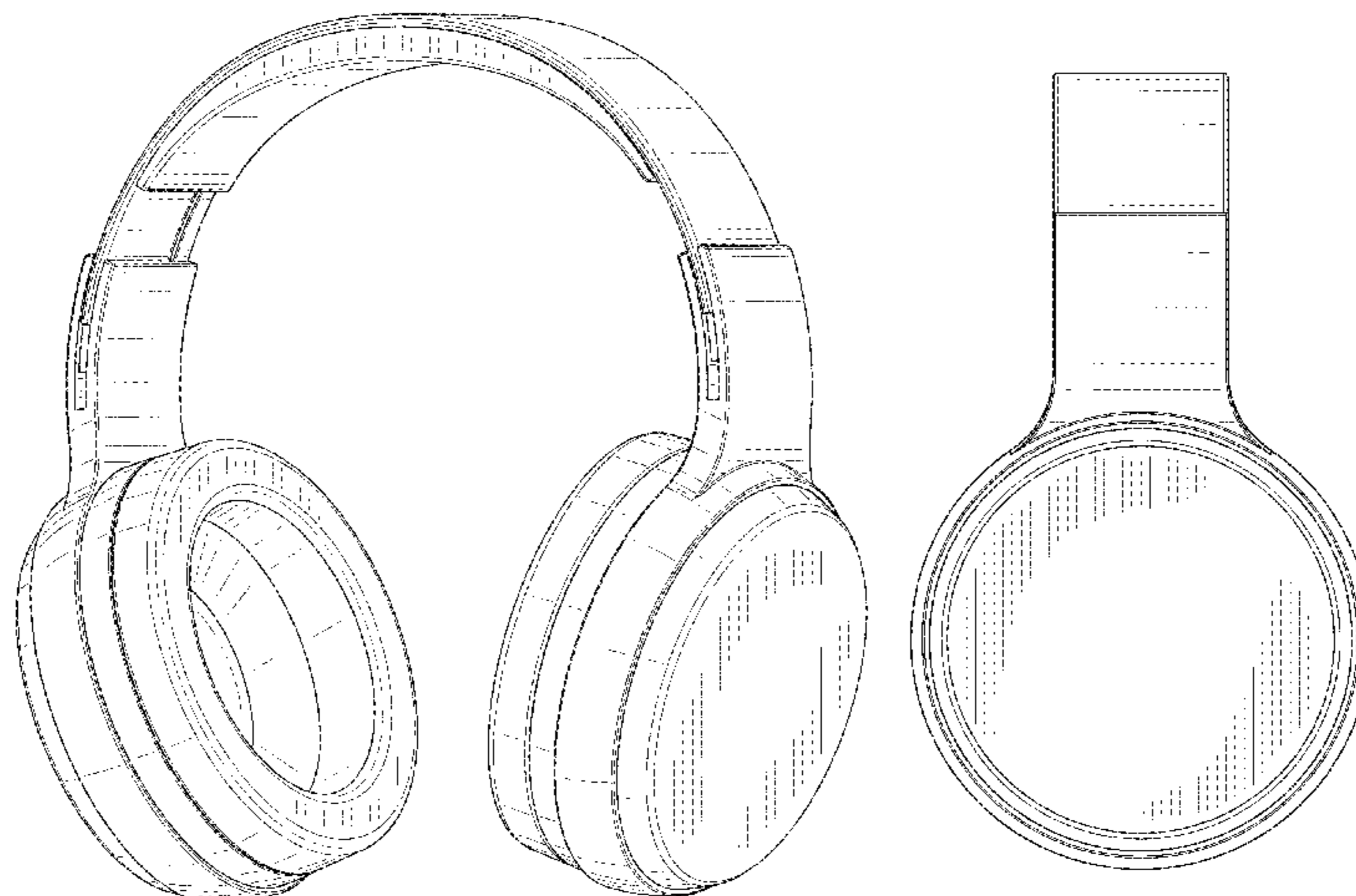
(56) **References Cited**

U.S. PATENT DOCUMENTS

1,395,864 A * 11/1921 Pape H04R 5/0335
381/379
D246,519 S * 11/1977 Kato D14/205
D270,634 S * 9/1983 Ungar D14/205
4,597,469 A * 7/1986 Nagashima H04R 5/0335
181/129
D286,772 S * 11/1986 Pope D14/205
D299,454 S * 1/1989 Kwong D14/205
D300,133 S * 3/1989 Daidoh D14/205
D305,541 S * 1/1990 Hirose D14/205
D310,081 S * 8/1990 Daido D14/205

(Continued)

1 Claim, 14 Drawing Sheets



(56)

References Cited

U.S. PATENT DOCUMENTS

D310,223 S * 8/1990 Chudnow D14/205
 D316,551 S * 4/1991 Ichikawa D14/205
 D323,167 S * 1/1992 Yamazaki D14/205
 D338,010 S * 8/1993 Yamatogi D14/205
 D346,802 S * 5/1994 Sacherman D14/206
 D350,354 S * 9/1994 Nakamura D14/205
 D351,172 S * 10/1994 Nakamura D14/205
 D351,598 S * 10/1994 Nakamura D14/205
 D358,388 S * 5/1995 Nakamura D14/205
 D368,716 S * 4/1996 Shudo D14/205
 D376,598 S * 12/1996 Hayashi D14/205
 D386,181 S * 11/1997 Fisher D14/192
 D430,140 S * 8/2000 Roman D14/205
 D463,857 S * 10/2002 Dix D24/106
 D484,485 S * 12/2003 Matsuoka D14/205
 D494,154 S * 8/2004 Polito D14/206
 D505,411 S * 5/2005 Sakai D14/192
 7,072,483 B2 * 7/2006 Lenhard-Backhaus H04R 1/1066
 381/370
 D534,155 S * 12/2006 Obata D14/205
 D540,301 S * 4/2007 Obata D14/205
 D593,995 S * 6/2009 Shimizu D14/205
 D625,705 S * 10/2010 Ohori D14/205

D632,668 S * 2/2011 Brunner D14/205
 D635,959 S * 4/2011 Hutchieson D14/205
 D657,344 S * 4/2012 Brunner D14/205
 D657,776 S * 4/2012 Lee D14/205
 D660,823 S * 5/2012 Hardi D14/205
 D662,080 S * 6/2012 Carr D14/205
 D673,518 S * 1/2013 Tan D14/205
 D673,520 S * 1/2013 Tan D14/205
 D675,595 S * 2/2013 Cho D14/205
 D678,860 S * 3/2013 Hagelin D14/205
 D683,329 S * 5/2013 Hagelin D14/205
 D699,702 S * 2/2014 Chen D14/205
 8,767,996 B1 * 7/2014 Lin H04R 1/1091
 381/370
 D733,090 S * 6/2015 Petersen D14/205
 D739,378 S * 9/2015 Chung D14/205
 D739,842 S * 9/2015 Birger D14/205
 D750,041 S * 2/2016 Birger D14/205
 D775,605 S * 1/2017 Lee D14/205
 2012/0140973 A1 * 6/2012 Olodort H04R 1/1066
 381/375
 2012/0328119 A1 * 12/2012 Heise H04R 1/1066
 381/74
 2015/0382101 A1 * 12/2015 Dai H04R 1/105
 381/375

* cited by examiner

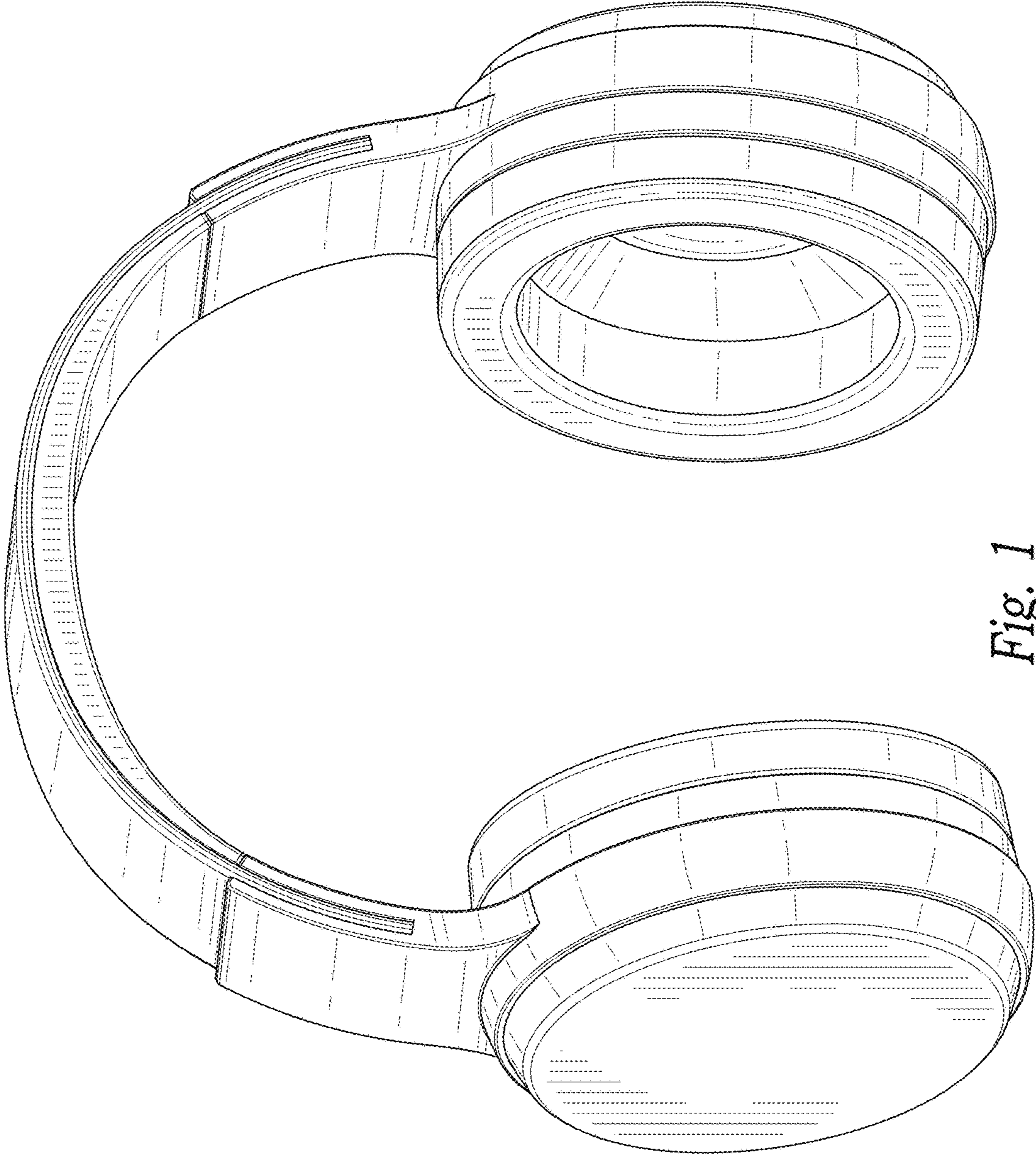


Fig. 1

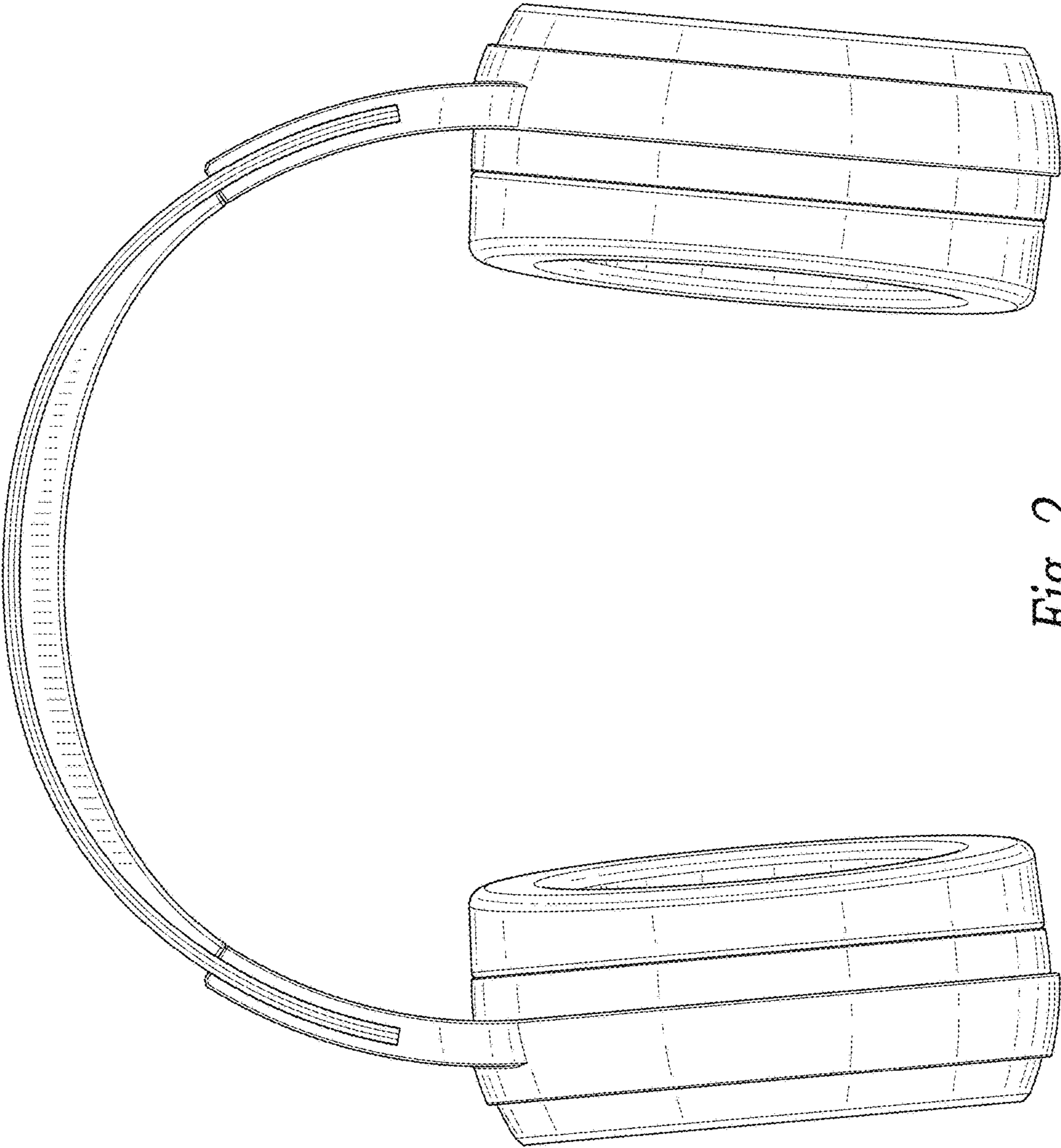


Fig. 2

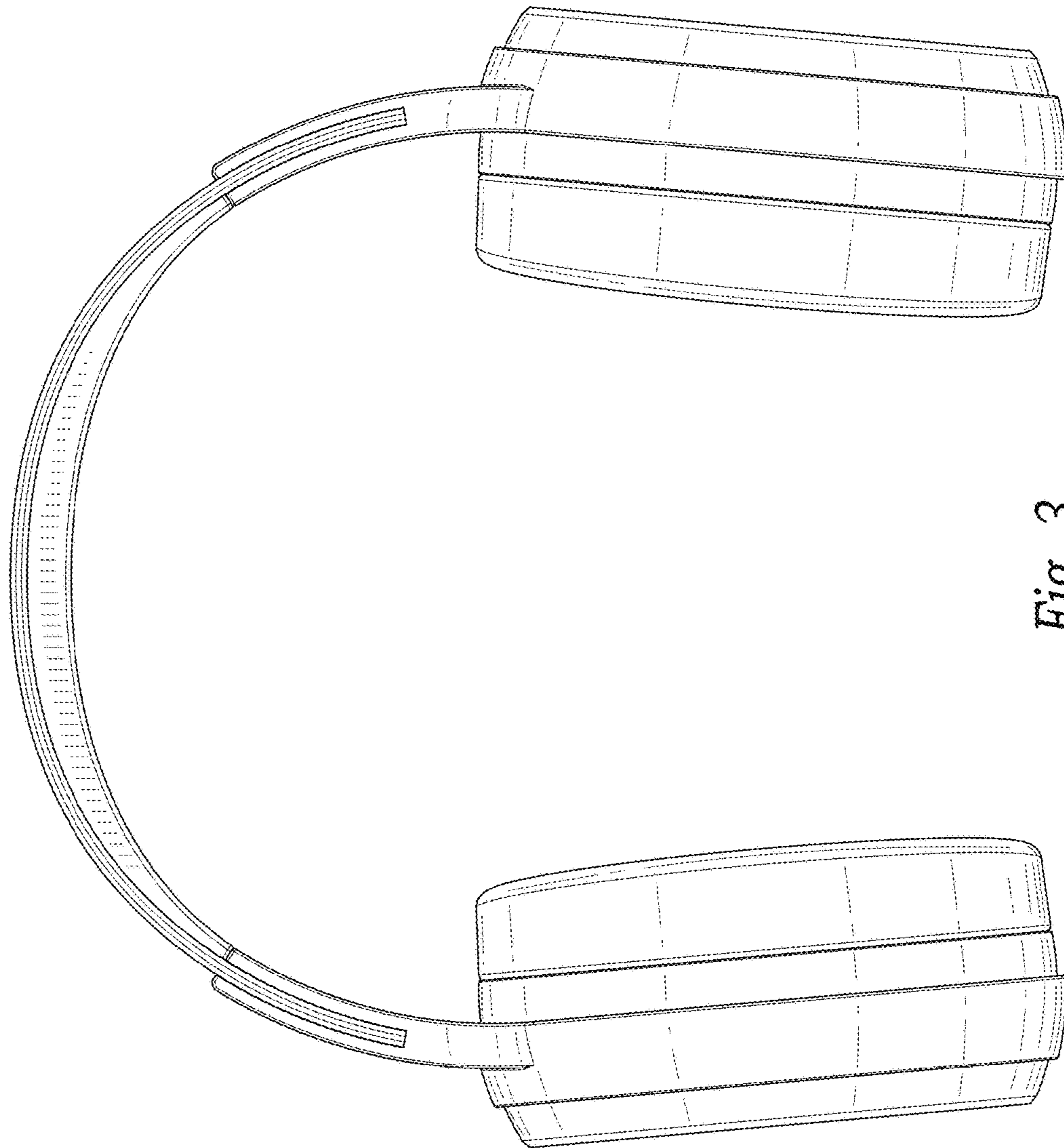


Fig. 3

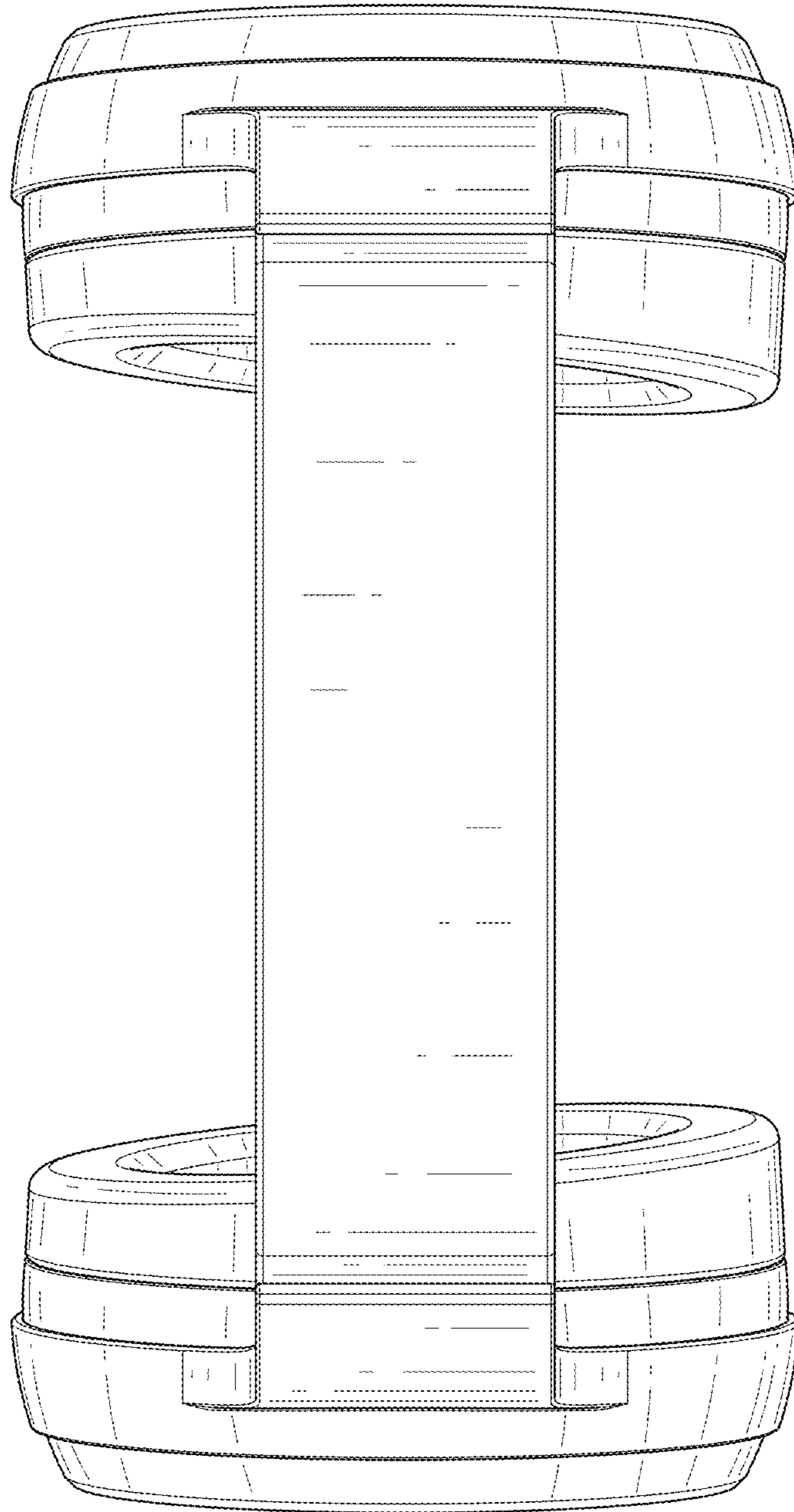


Fig. 4

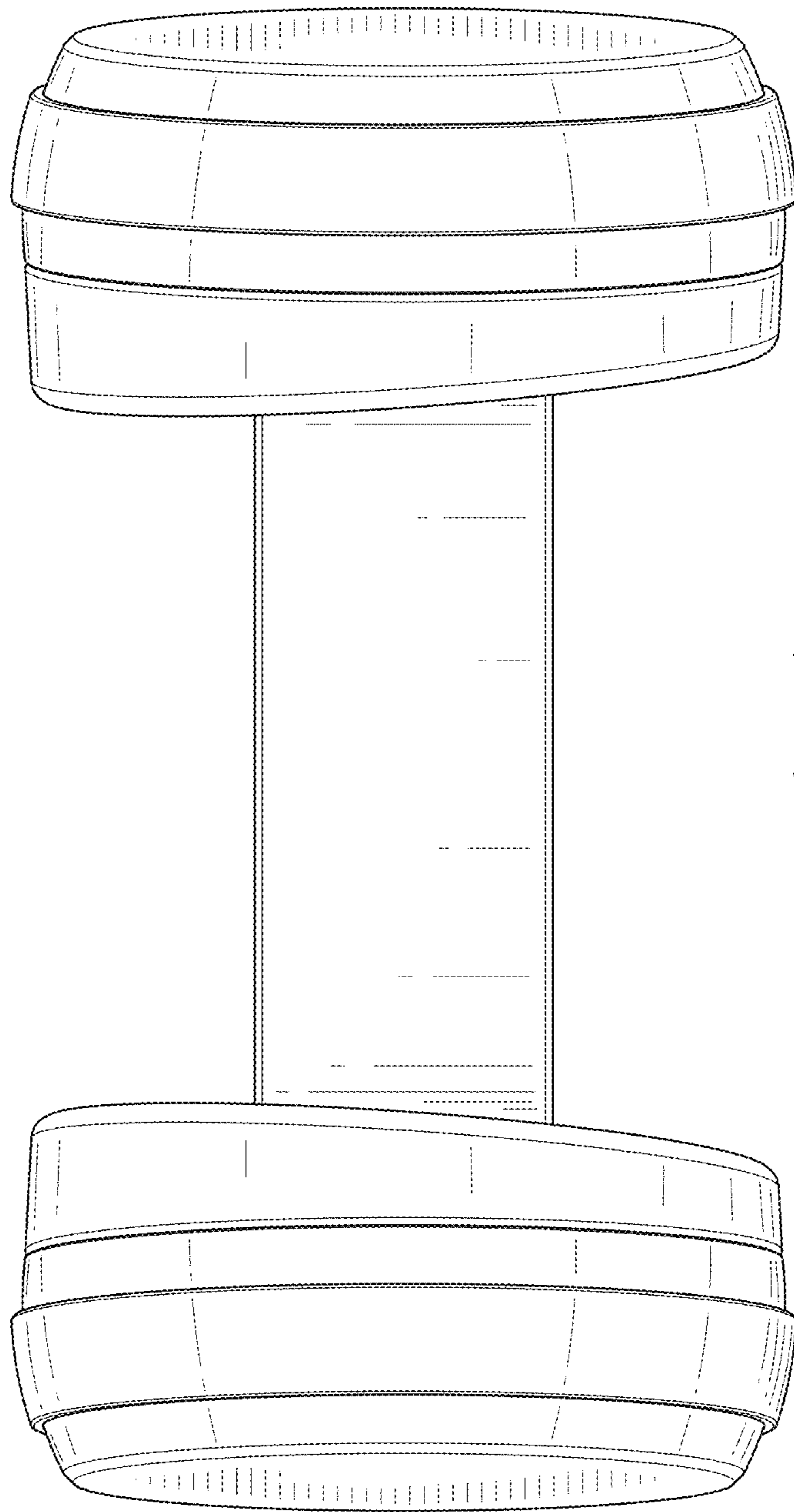


Fig. 5

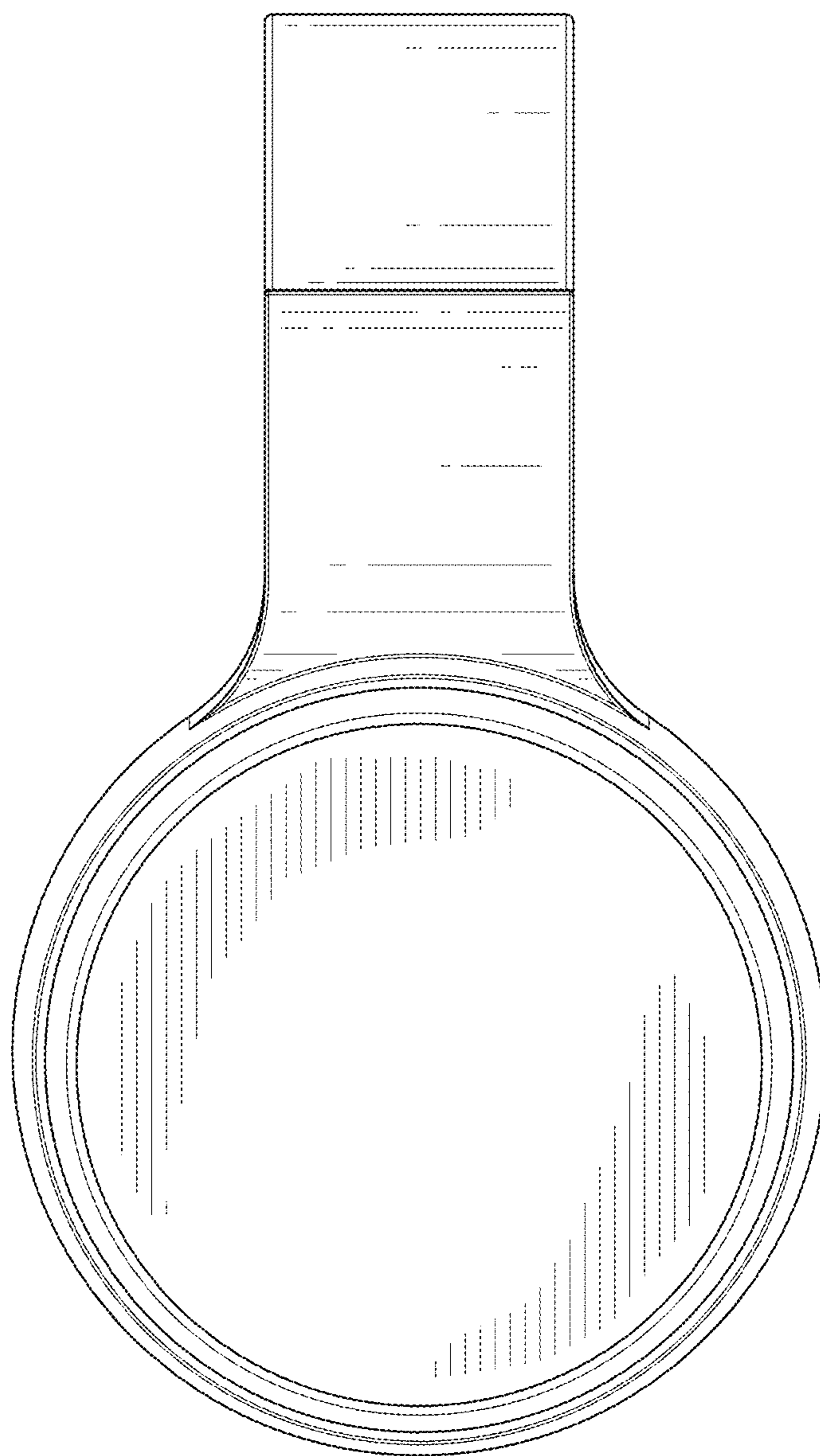


Fig. 6

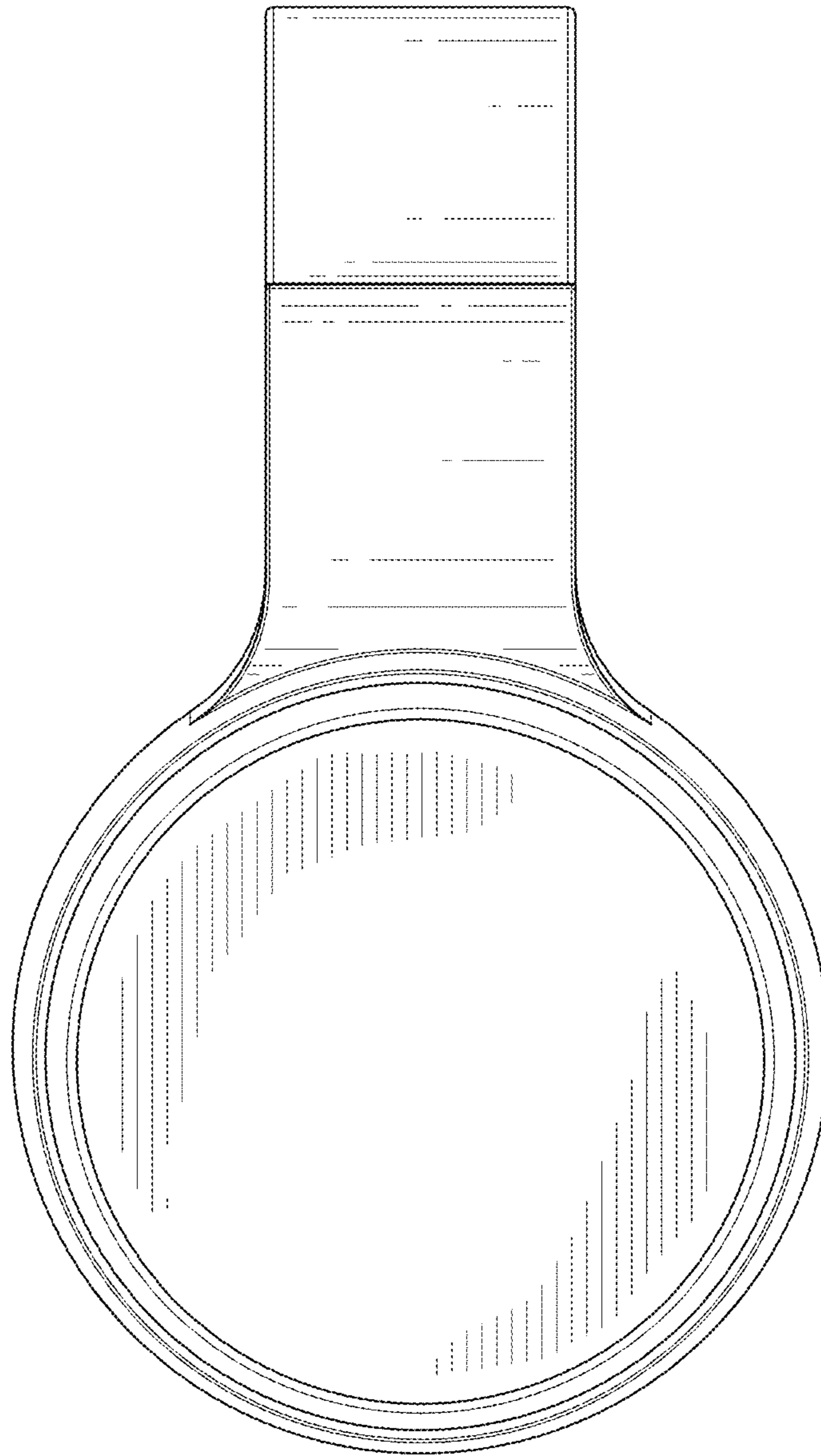


Fig. 7

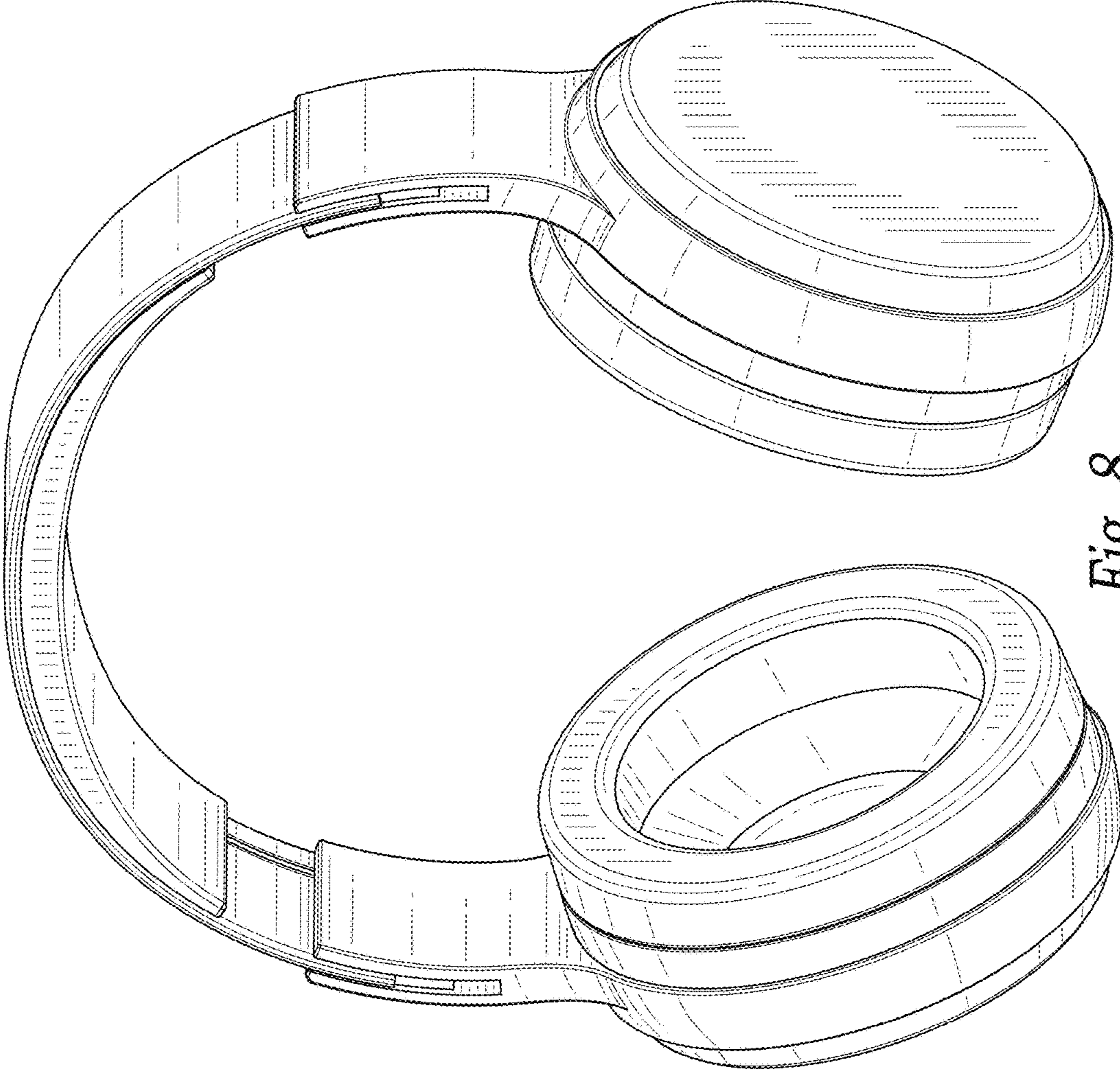


Fig. 8

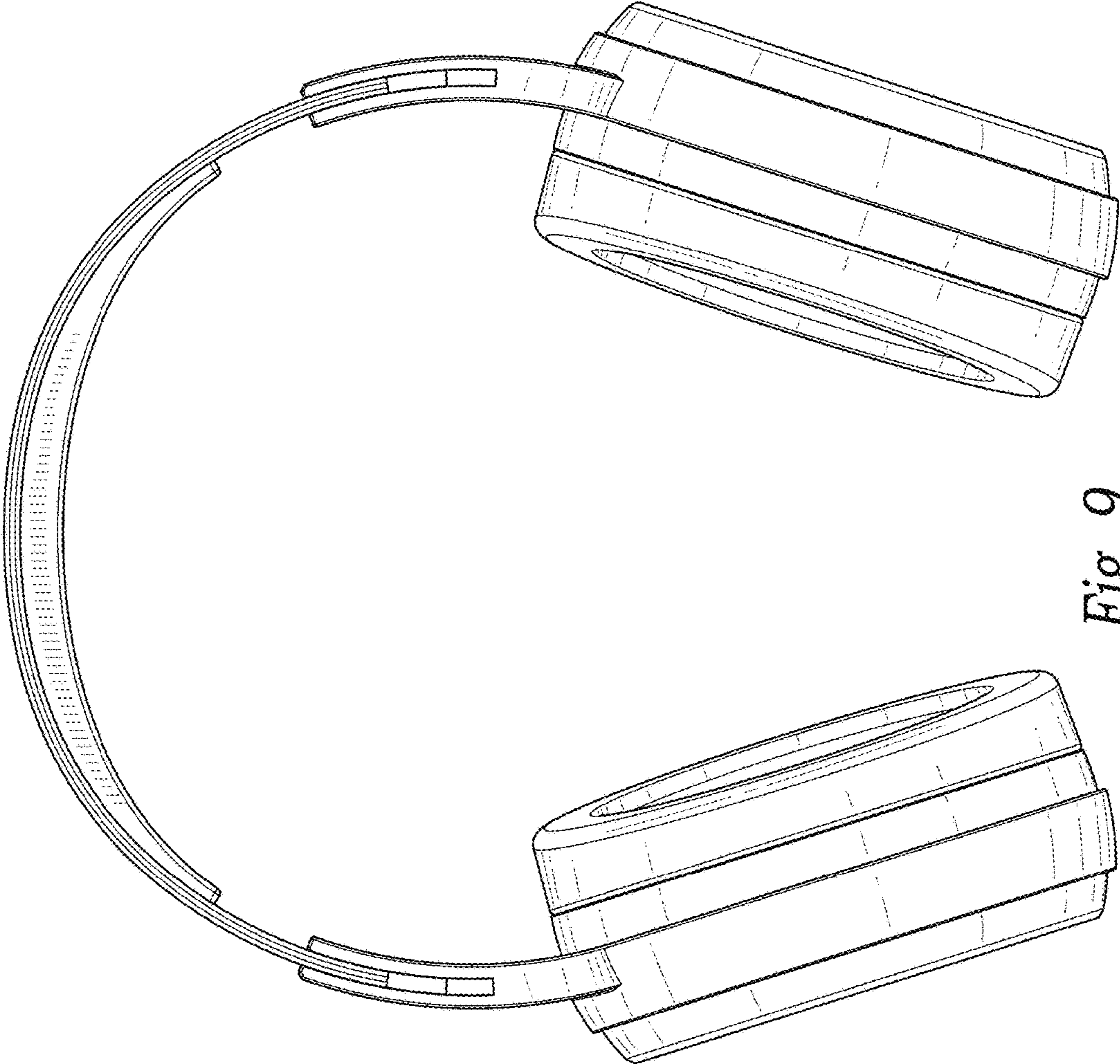


Fig. 9

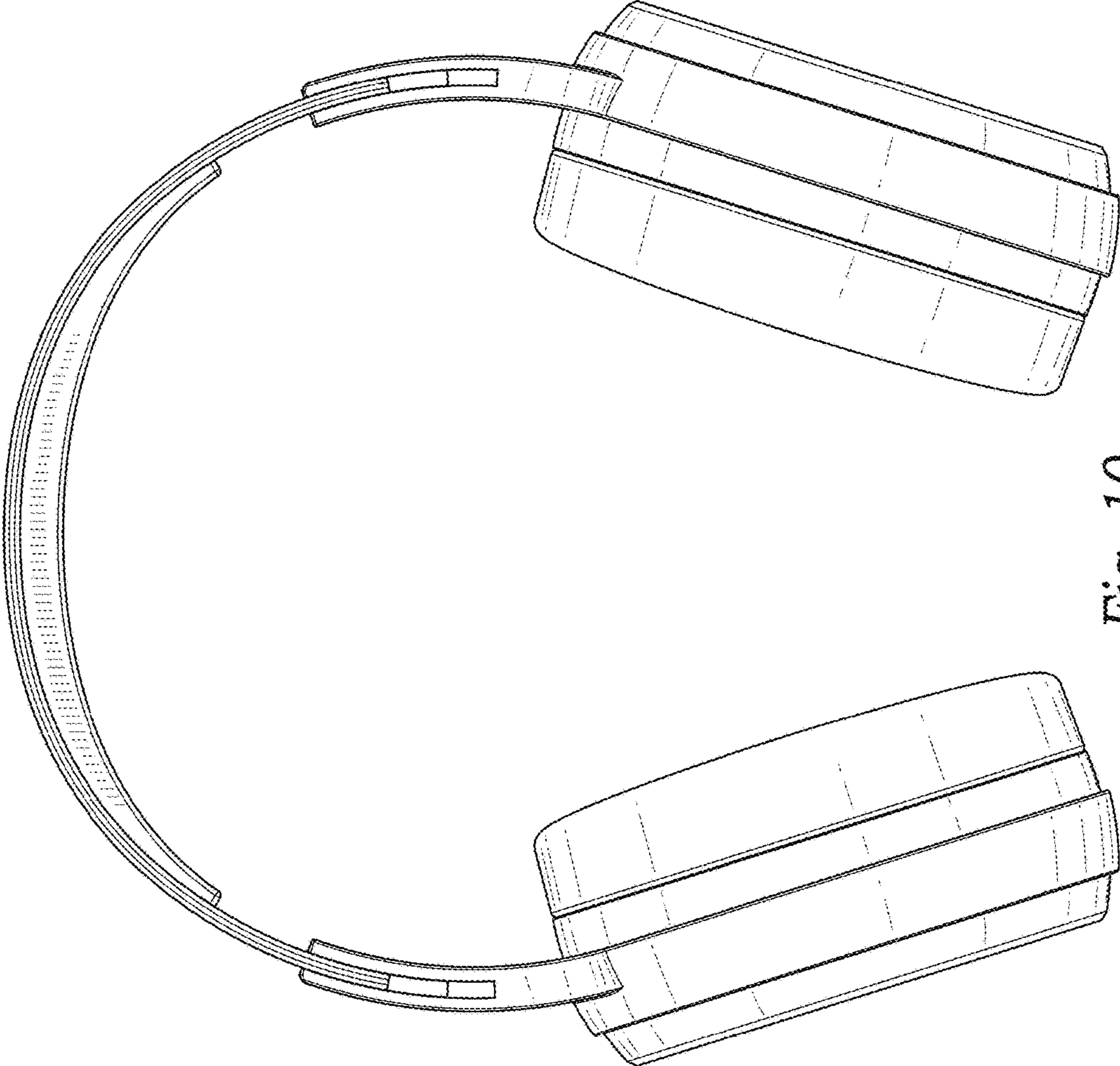


Fig. 10

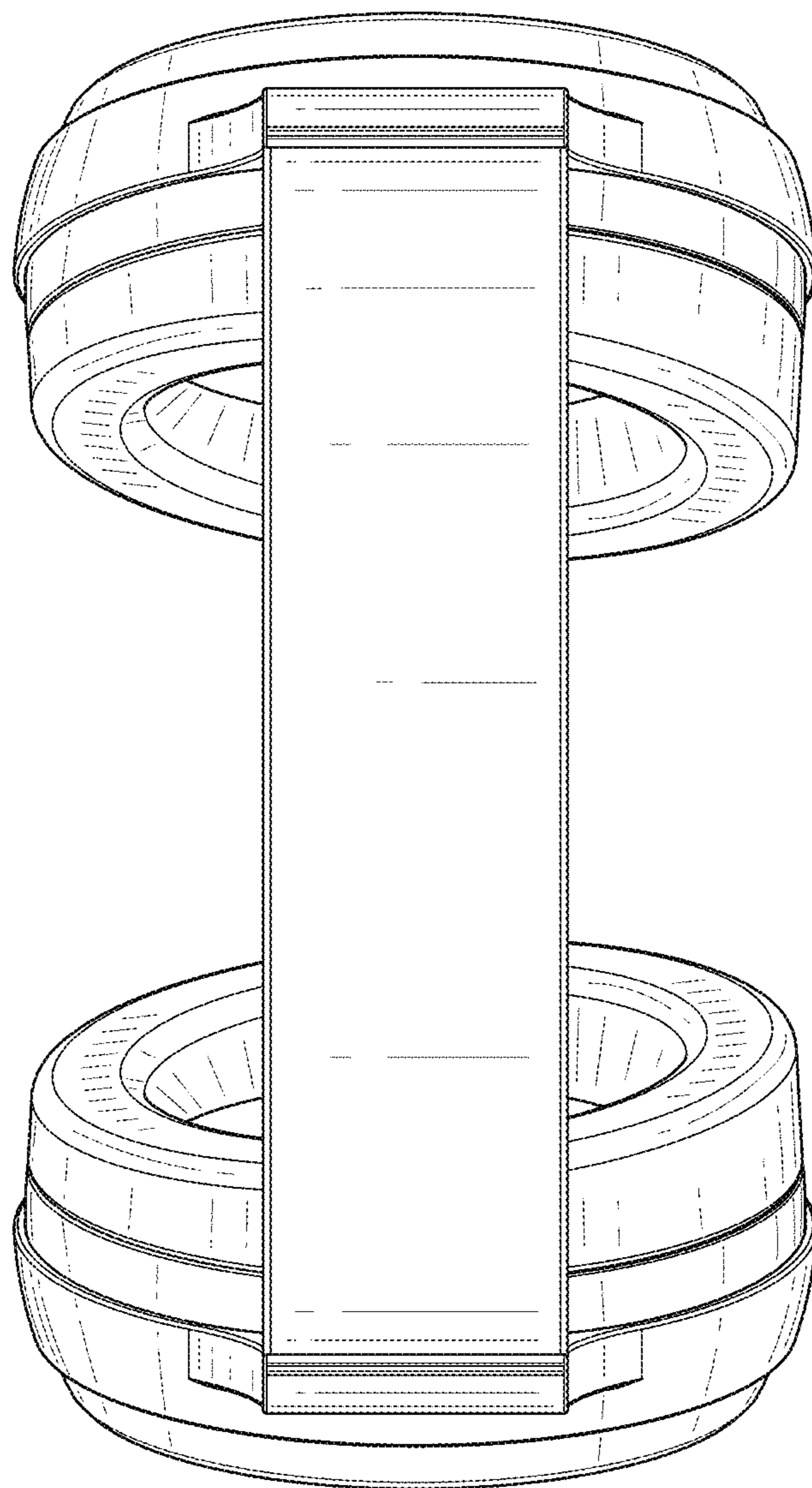


Fig. 11

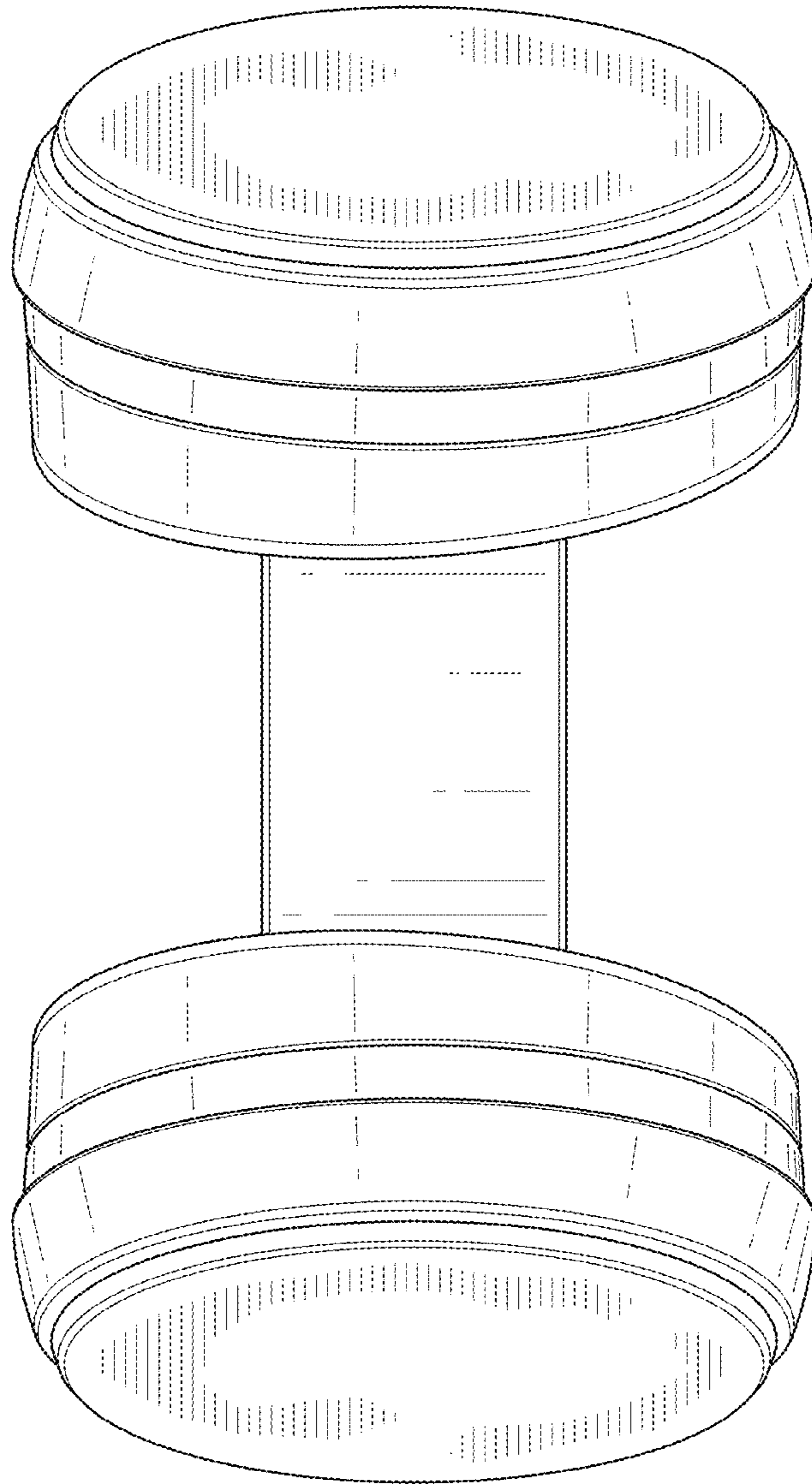


Fig. 12

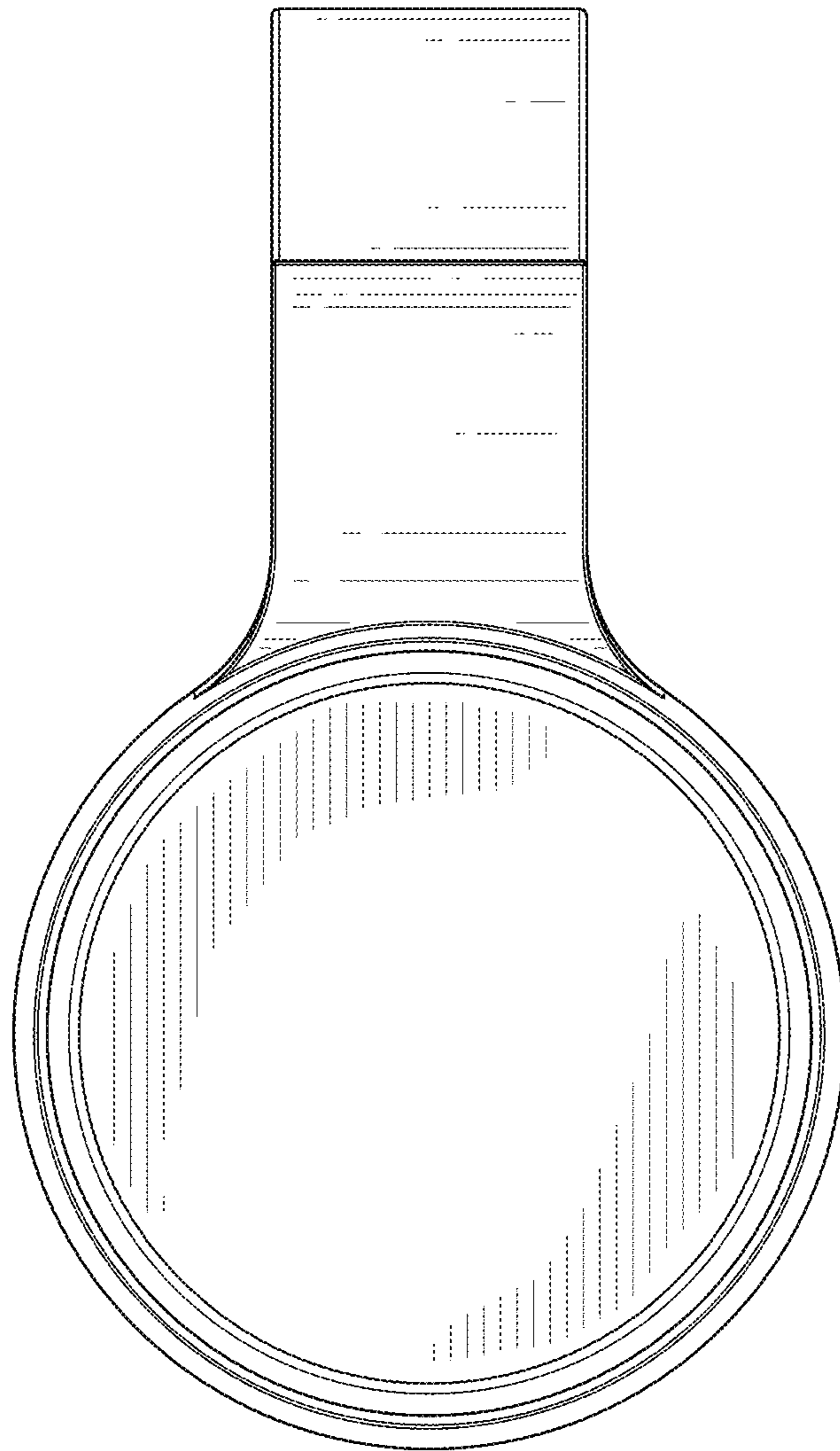


Fig. 13

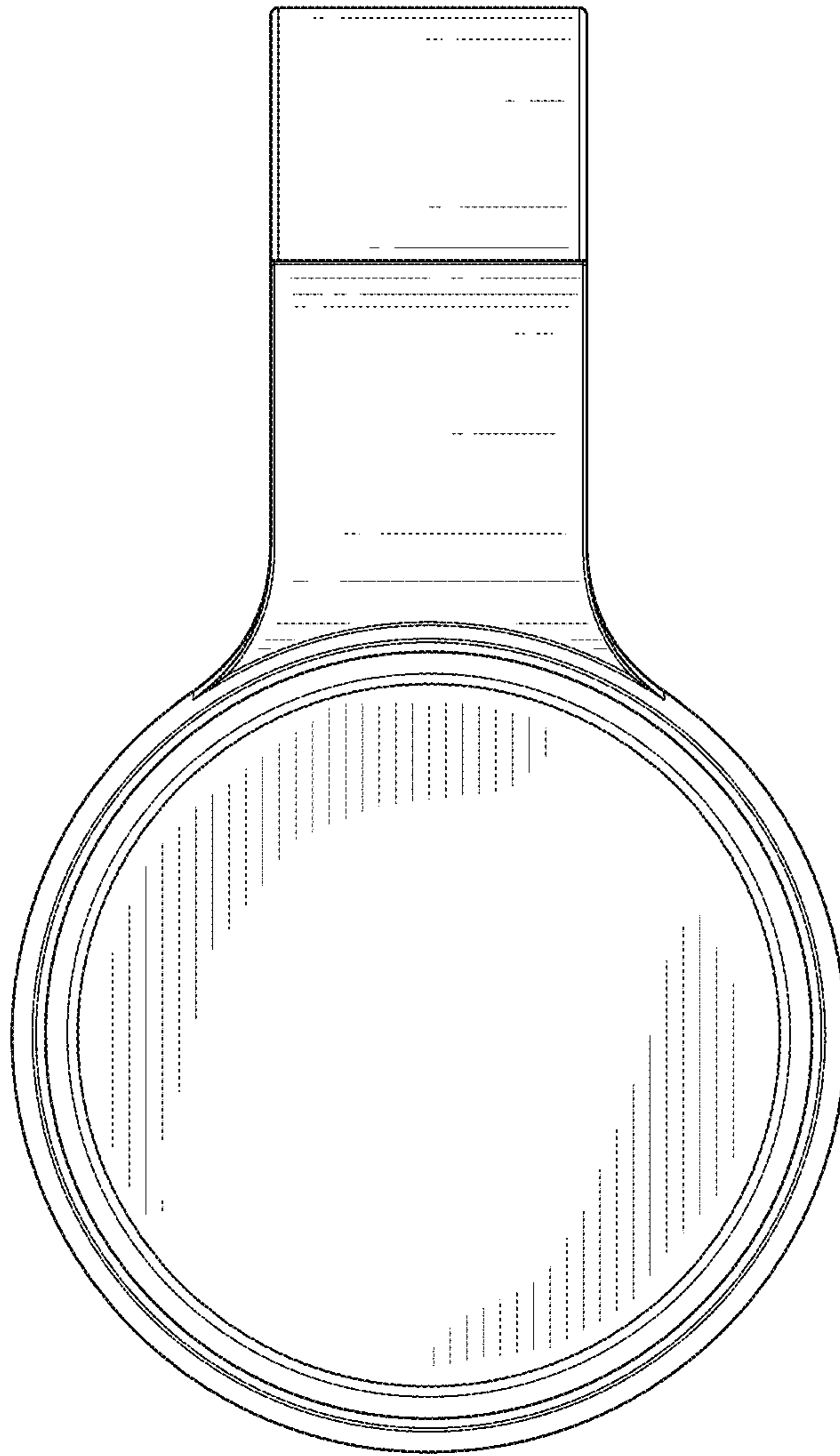


Fig. 14