



US00D794599S

(12) **United States Design Patent** (10) **Patent No.:** **US D794,599 S**
Reed (45) **Date of Patent:** **** Aug. 15, 2017**

(54) **WIRELESS INTERCOM DEVICE**
(71) Applicant: **Mark L. Reed**, Salt Lake City, UT (US)
(72) Inventor: **Mark L. Reed**, Salt Lake City, UT (US)
(**) Term: **15 Years**
(21) Appl. No.: **29/553,709**
(22) Filed: **Feb. 3, 2016**
(51) **LOC (10) Cl.** **14-03**
(52) **U.S. Cl.**
USPC **D14/159**
(58) **Field of Classification Search**
USPC D14/167, 154, 168, 188, 496, 156, 160, D14/161, 162, 163, 164, 165, 158, 253, D14/192, 159, 155, 138 AB, 137, 104.1; 455/351, 350, 353; D10/104, 106, 65, D10/78; 340/573.4, 573.1
CPC . G06F 3/16; G08B 3/00; H04M 11/00; H04N 7/14; H04N 7/26
See application file for complete search history.

(56) **References Cited**
U.S. PATENT DOCUMENTS
D666,575 S * 9/2012 Marsh D14/159
D692,847 S * 11/2013 Barley D14/159
D705,189 S * 5/2014 Chovin D14/159
D727,769 S * 4/2015 Scalisi D10/118.2
D740,781 S * 10/2015 Thomas D14/159

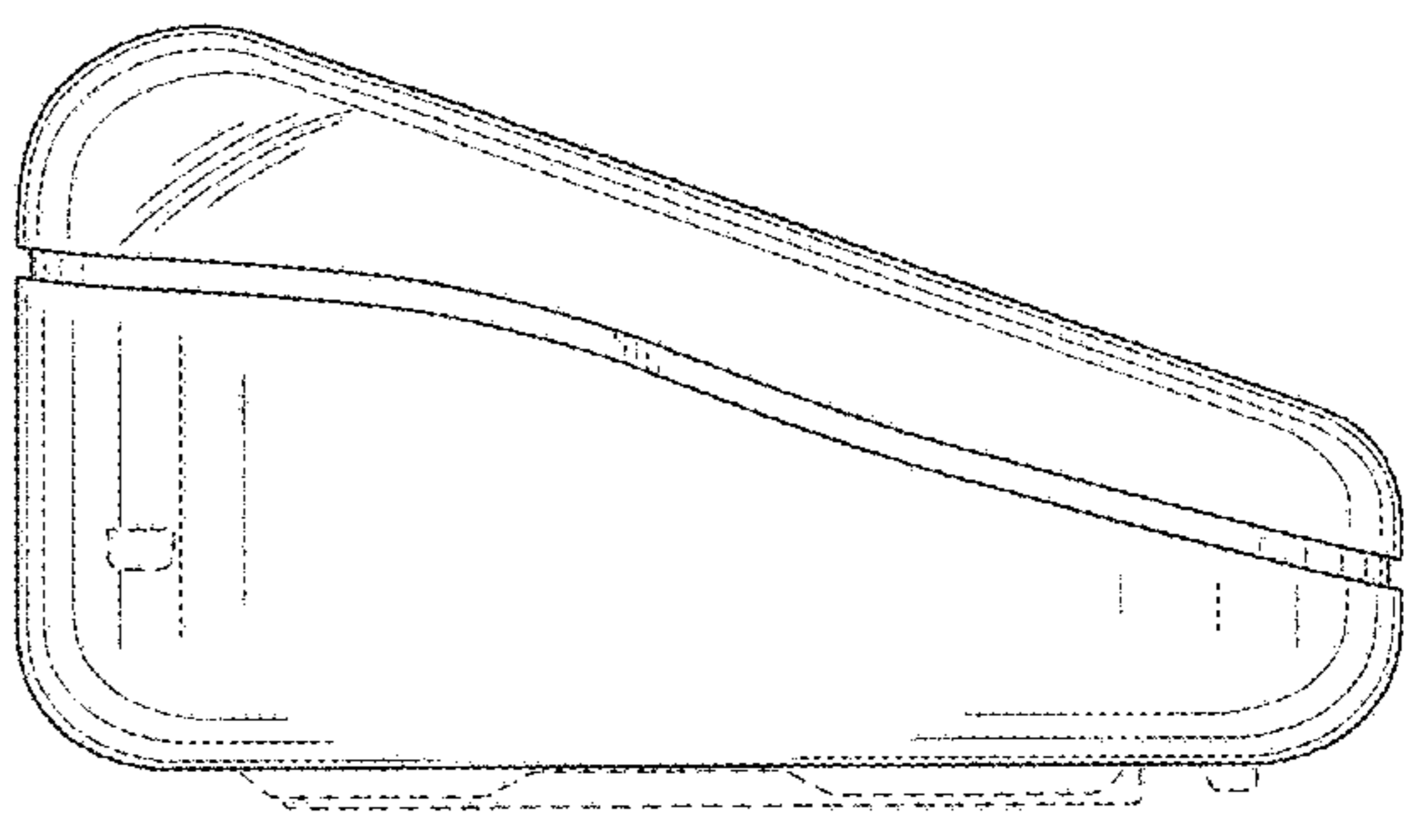
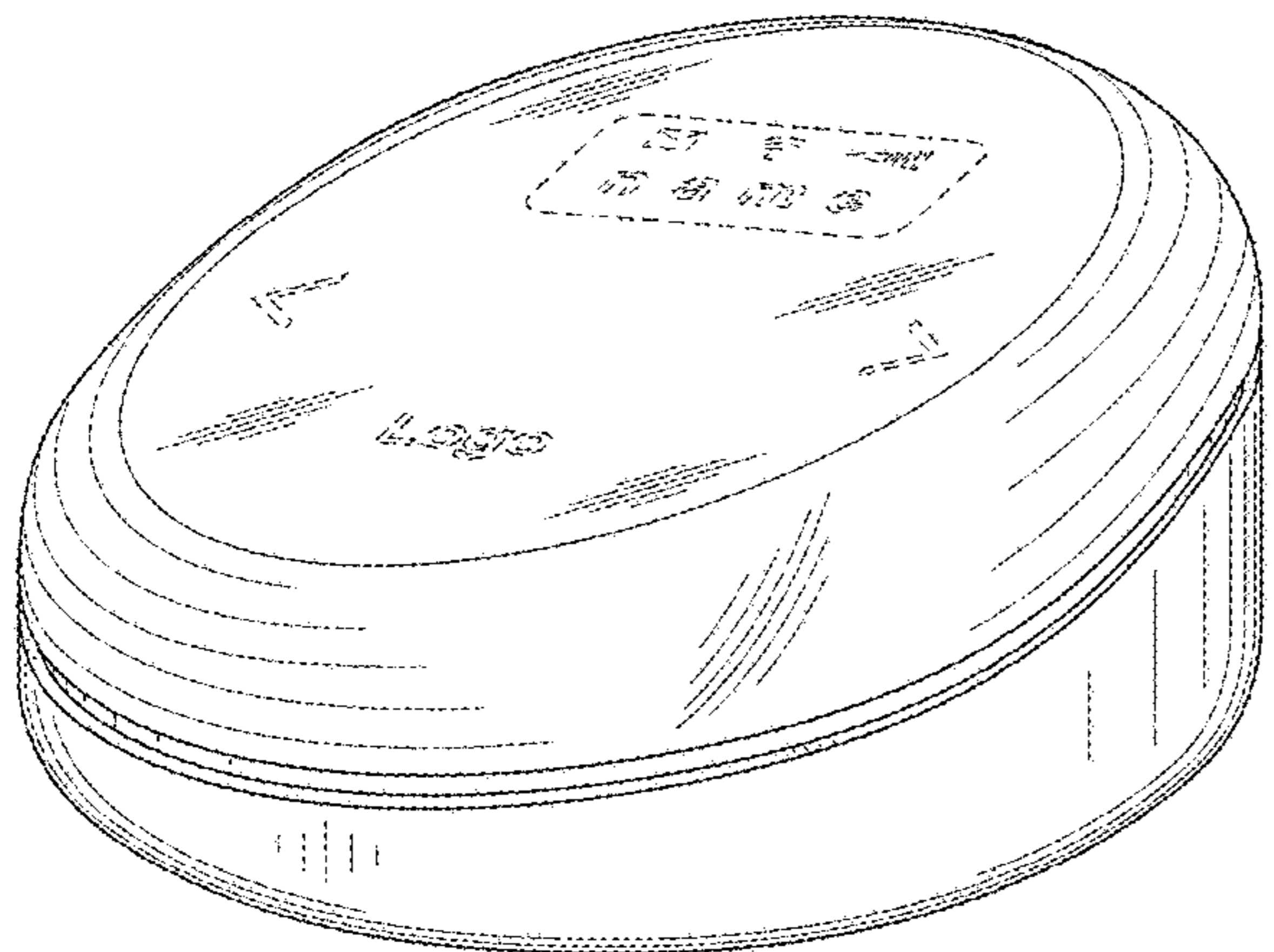
D740,782 S * 10/2015 Thomas D14/159
D748,178 S * 1/2016 Scalisi D10/118.2
D748,179 S * 1/2016 Scalisi D10/118.2
D748,180 S * 1/2016 Scalisi D16/203
D751,446 S * 3/2016 Lin D10/118.2
D766,121 S * 9/2016 Scalisi D10/118.2
D780,729 S * 3/2017 Shin D14/242
D781,274 S * 3/2017 Kim D14/242
2007/0019571 A1 1/2007 Stogel
2010/0246788 A1 9/2010 Menard et al.
2011/0211524 A1 9/2011 Holmes et al.
2012/0069754 A1 3/2012 Marsh et al.
2013/0051281 A1 2/2013 Lazaridis et al.

* cited by examiner
Primary Examiner — Austin Murphy
(74) *Attorney, Agent, or Firm* — Thorpe North & Western

(57) **CLAIM**
The ornamental design for the wireless intercom device, as shown and described.

DESCRIPTION
FIG. 1 is an elevated perspective view of the wireless intercom device in accordance with my invention;
FIG. 2 is a front elevation view thereof;
FIG. 3 is a rear elevation view thereof;
FIG. 4 is a right side elevation view thereof;
FIG. 5 is a left side elevation view thereof;
FIG. 6 is a top plan view thereof; and,
FIG. 7 is a bottom plan view thereof.
The broken lines shown in FIGS. 1-7 are for illustrative purposes only and form no part of the claimed design.

1 Claim, 5 Drawing Sheets



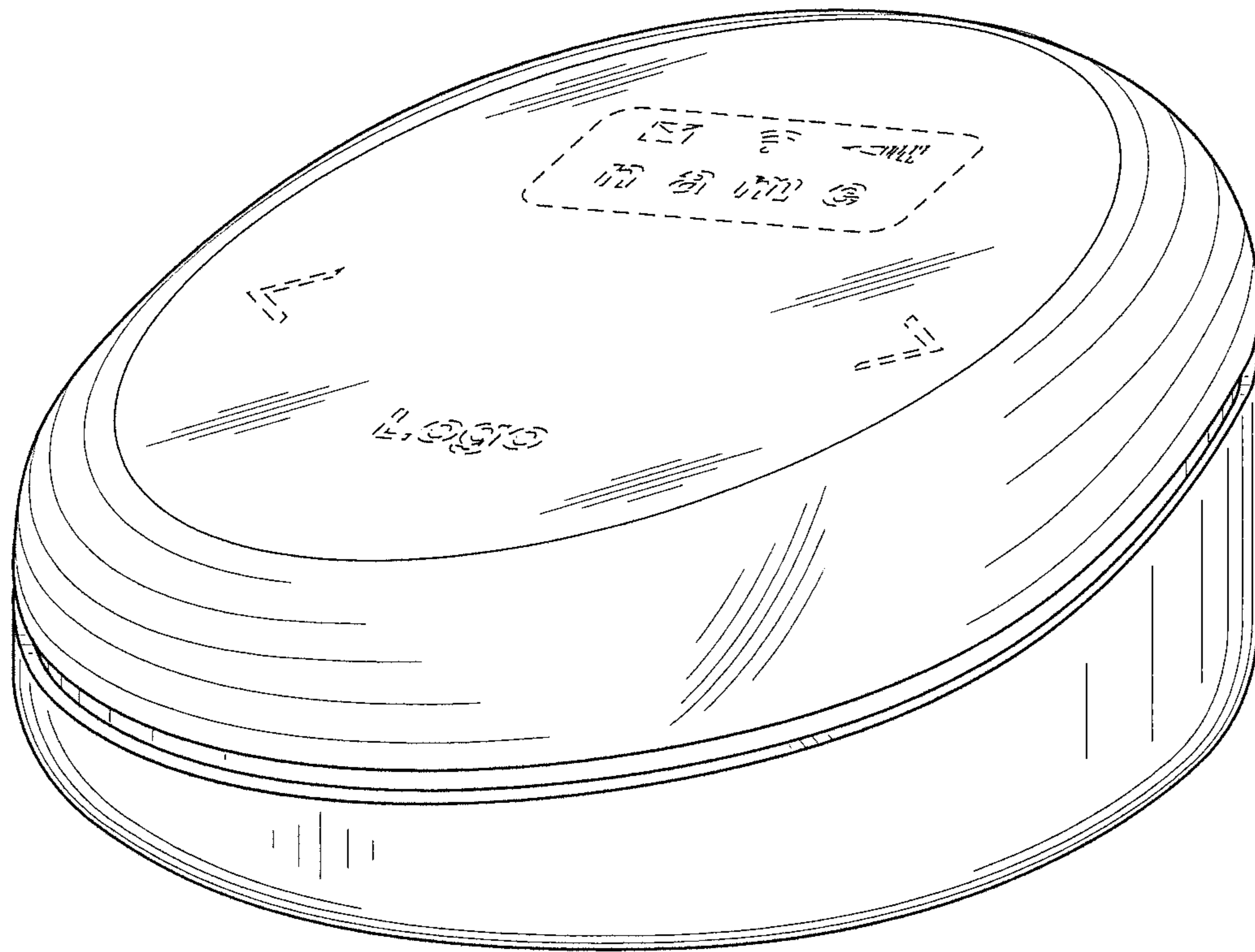


FIG. 1

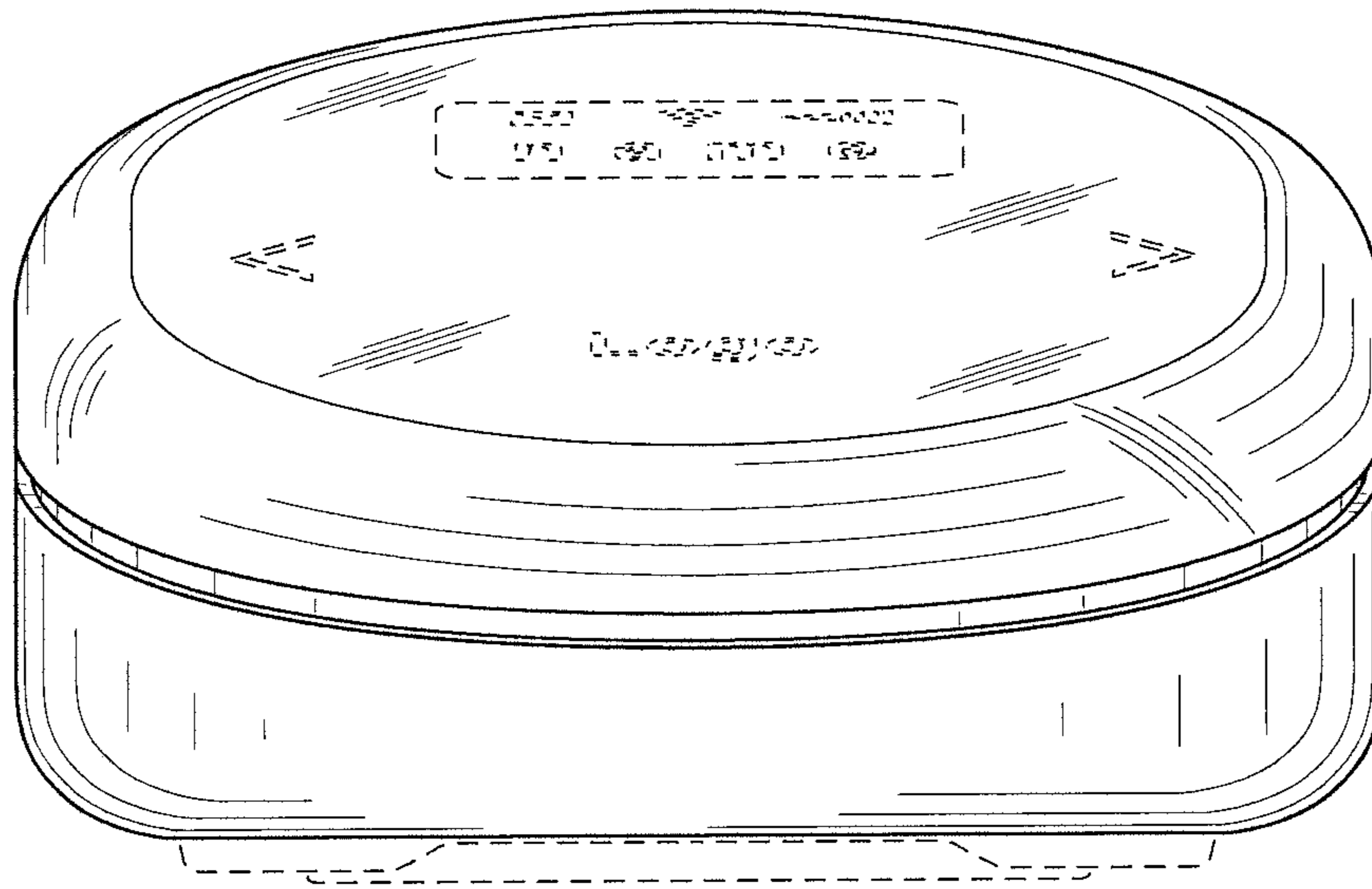


FIG. 2

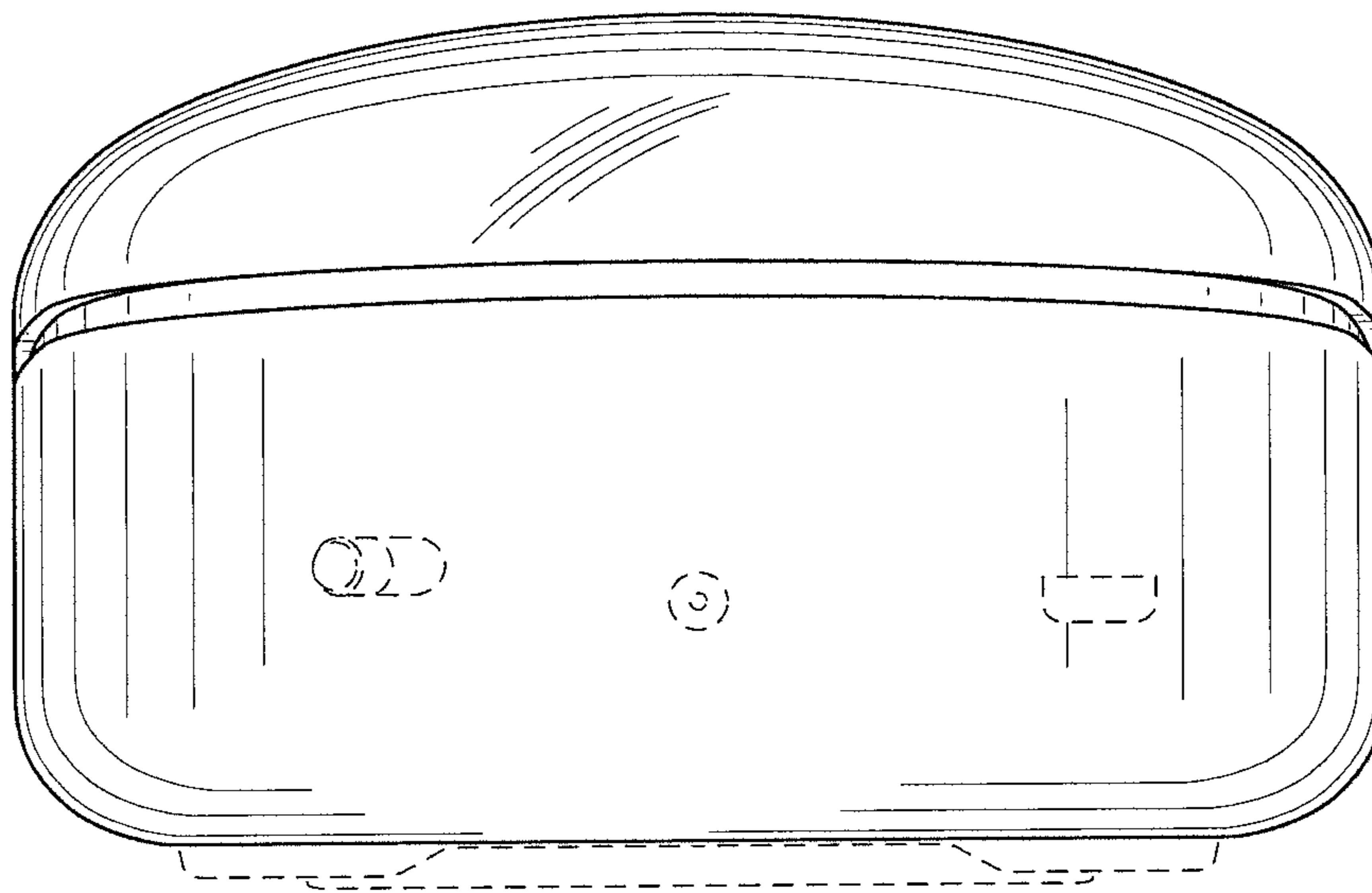


FIG. 3

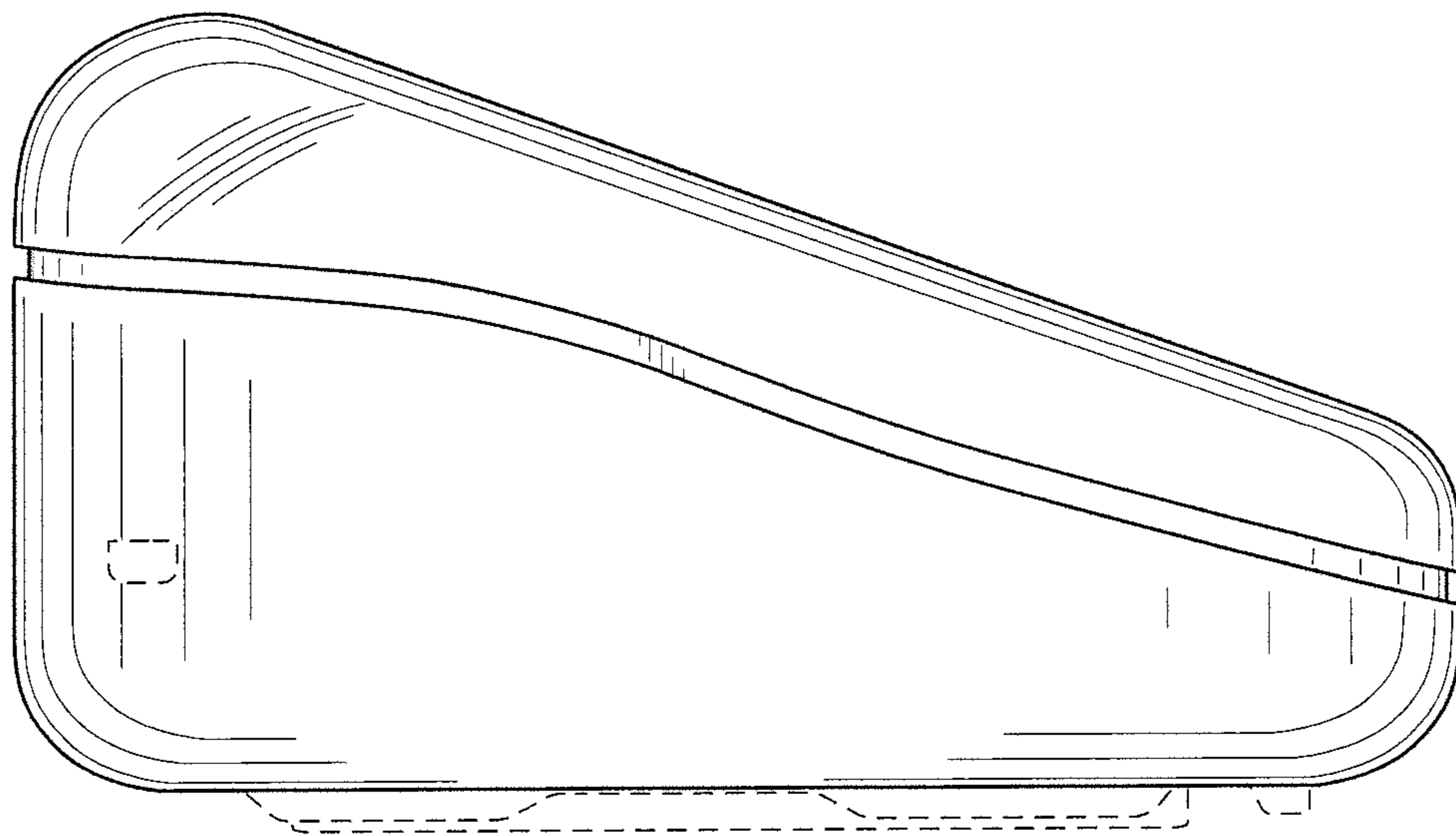


FIG. 4

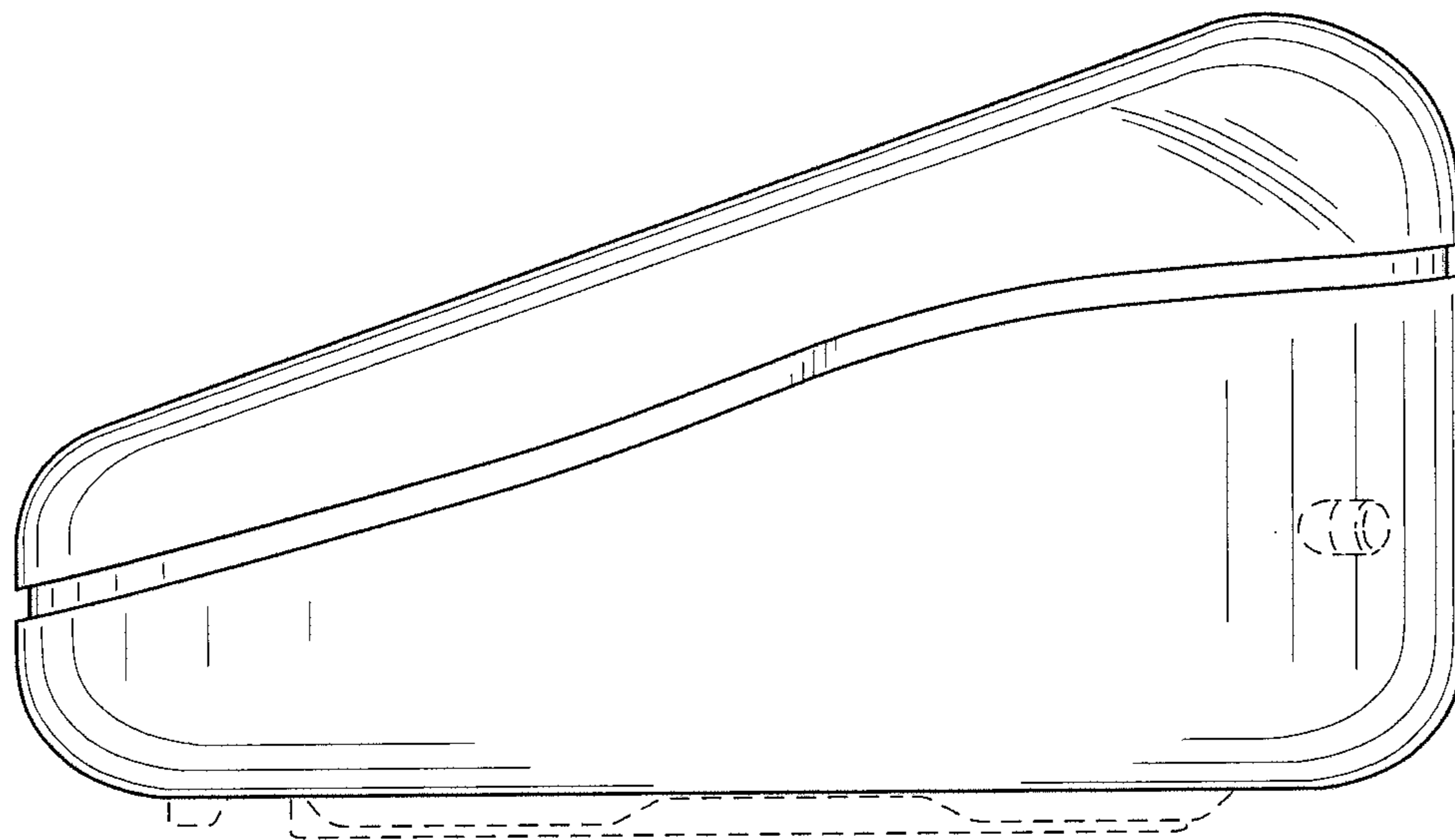


FIG. 5

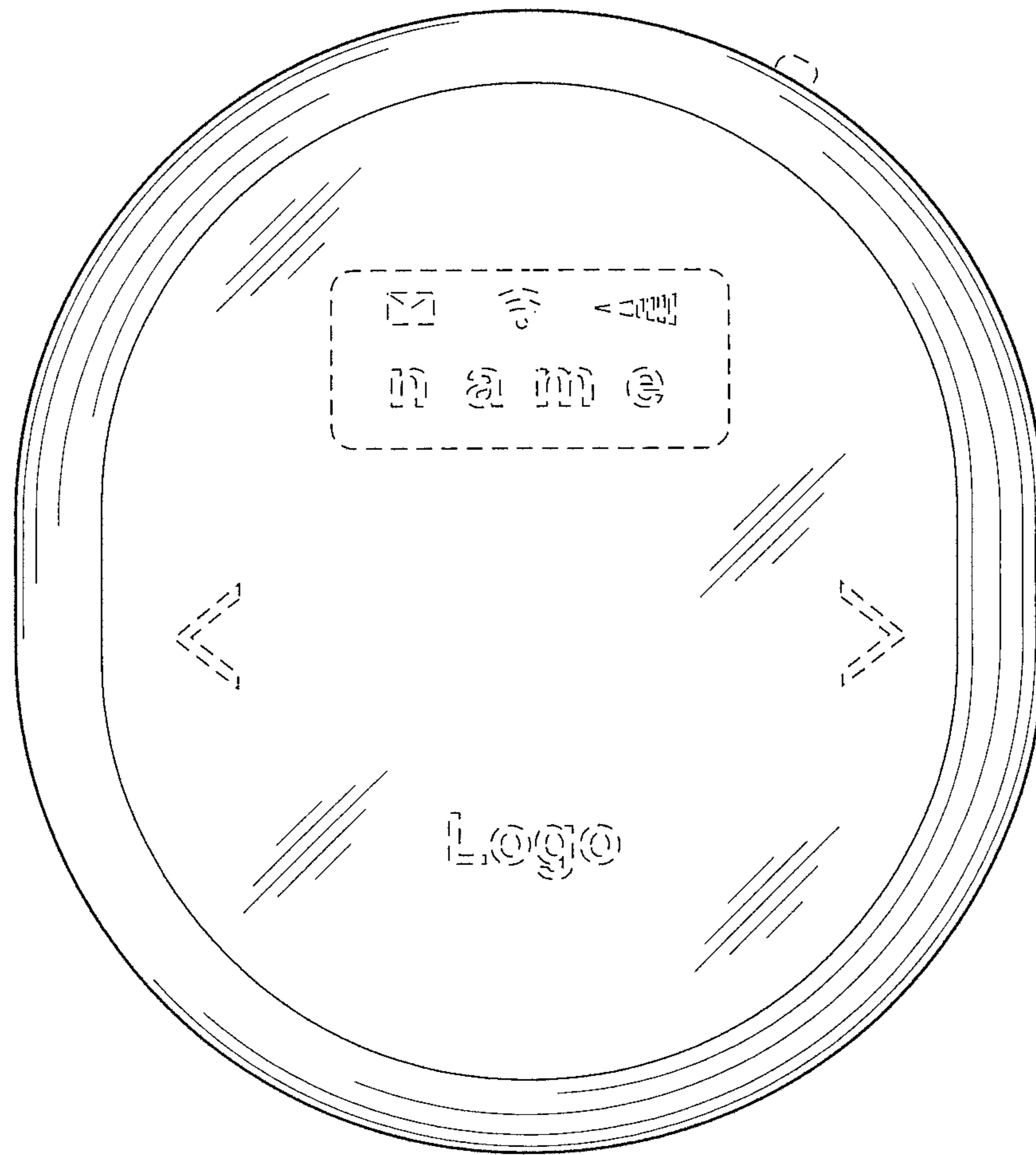


FIG. 6

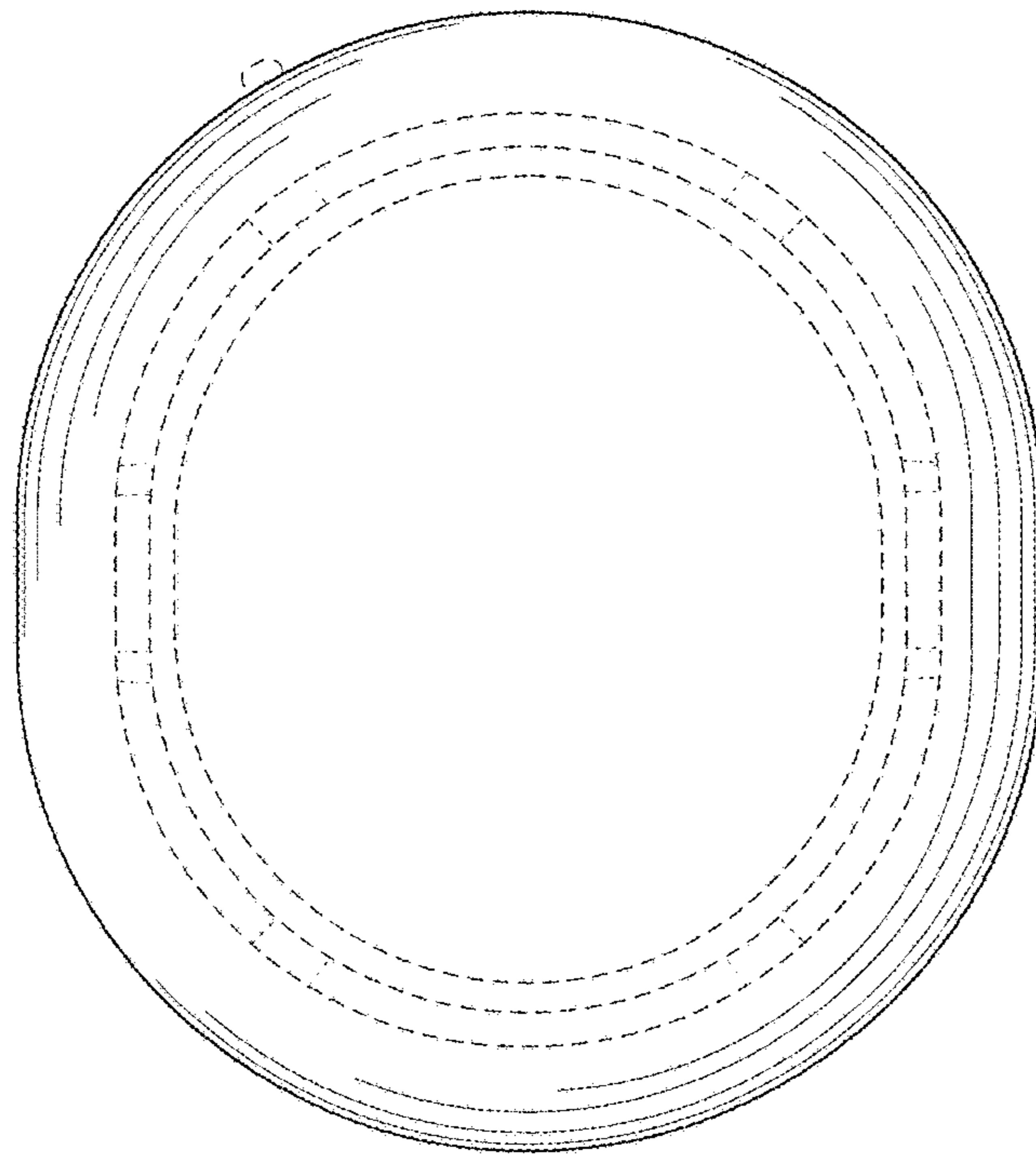


FIG. 7