



US00D794597S

(12) **United States Design Patent** (10) **Patent No.:** **US D794,597 S**  
**Ookawa** (45) **Date of Patent:** **\*\* Aug. 15, 2017**

(54) **TELEPHONE BASE UNIT**  
(71) Applicant: **Panasonic Intellectual Property Management Co., Ltd.**, Osaka-shi, Osaka (JP)  
(72) Inventor: **Takayuki Ookawa**, Osaka (JP)  
(73) Assignee: **PANASONIC INTELLECTUAL PROPERTY MANAGEMENT CO., LTD.**, Osaka (JP)  
(\*\*) Term: **15 Years**  
(21) Appl. No.: **29/539,936**  
(22) Filed: **Sep. 18, 2015**  
(51) **LOC (10) Cl.** ..... **14-03**  
(52) **U.S. Cl.**  
USPC ..... **D14/150**  
(58) **Field of Classification Search**  
USPC ..... D14/140, 142, 144, 149, 150, 151, 240, D14/251-253, 299, 434, 447, 496; D21/517; D13/107, 108, 118; 379/426, 379/449, 455, 457, 428.01, 428.02, 379/428.03, 428.04, 70; 710/303, 304; D24/169, 186, 187, 188, 200, 231, 232  
CPC ..... H04M 1/00; H04M 1/003; H04M 1/02; H04M 1/03; H04M 1/04; H04M 1/0202; H04M 1/0264; H04M 1/0297; H04M 1/72; H04M 1/725; H04M 1/72502  
See application file for complete search history.

(56) **References Cited**

**U.S. PATENT DOCUMENTS**

D558,749 S \* 1/2008 Furuno ..... D13/107  
D570,324 S \* 6/2008 Furuno ..... D14/149  
D570,325 S \* 6/2008 Hasegawa et al.  
D576,997 S \* 9/2008 Furuno ..... D14/149  
D601,259 S \* 9/2009 Guthrie ..... D24/169  
D635,118 S \* 3/2011 Nakajima ..... D14/149  
D657,771 S \* 4/2012 Sakamoto

D678,238 S \* 3/2013 Furuno ..... D14/150  
D678,855 S \* 3/2013 Shadovitz ..... D14/150  
D709,852 S \* 7/2014 Yoshida ..... D14/151  
D714,251 S \* 9/2014 Ookawa ..... D14/149  
D714,754 S \* 10/2014 Moriyama ..... D14/149  
D714,755 S \* 10/2014 Ookawa ..... D14/149  
2012/0129512 A1 \* 5/2012 Kanai ..... H04M 1/72502  
455/418

(Continued)

**OTHER PUBLICATIONS**

Telephone Bases. (Design-© Questel). orbit.com [online PDF] 39 pages. Print Dates range from Dec. 21, 2010 to Apr. 14, 2016 [retrieved on Oct. 27, 2016] <https://sobjprd.questel.fr/export/QPTUJ214/pdf2/c50bd1b2-4937-4582-8704-891b7404a81b-221615.pdf>.\*

(Continued)

*Primary Examiner* — Susan Bennett Hattan  
*Assistant Examiner* — Marie Fast Horse  
(74) *Attorney, Agent, or Firm* — Brinks Gilson & Lione

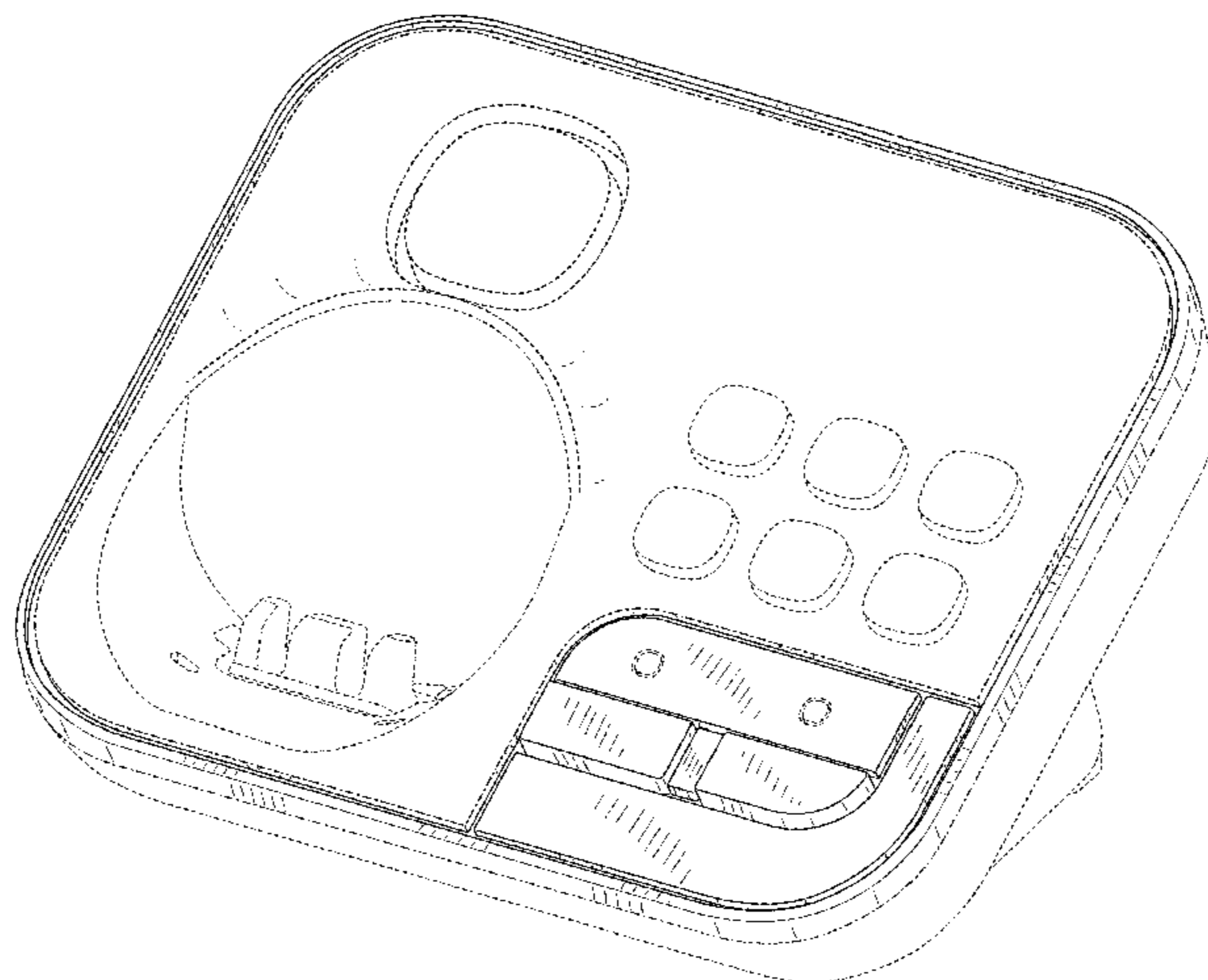
(57) **CLAIM**

I claim the ornamental design for a telephone base unit, as shown and described.

**DESCRIPTION**

FIG. 1 is a diametric perspective view of a telephone base unit of the present invention;  
FIG. 2 is a rear and top perspective view thereof;  
FIG. 3 is a front view thereof;  
FIG. 4 is a rear view thereof;  
FIG. 5 is a first side view thereof;  
FIG. 6 is a second side view thereof;  
FIG. 7 is a top view thereof; and,  
FIG. 8 is a bottom view thereof.  
The broken lines shown represent portions of the telephone base unit that form no part of the claimed design. In addition, the dot-dash lines shown in FIGS. 1-8 define the bounds of the claimed design.

**1 Claim, 8 Drawing Sheets**



(56)

**References Cited**

U.S. PATENT DOCUMENTS

2012/0219147 A1\* 8/2012 Suzuki ..... H04M 1/06  
379/435

OTHER PUBLICATIONS

Koninklijke Philips N. V., "Philips Cordless Phone D2051B 25 min Answering Machine 1.6" Display/ Amber Backlight Speakerphone," D20516/23, obtained from internet address <<http://www.p4c.philips.com/cgi-bin/dcbint/cpindex.pl?slg=en&scy=es&ctn=D2051B/23>> on Sep. 10, 2015, 1 page.

\* cited by examiner

FIG.1

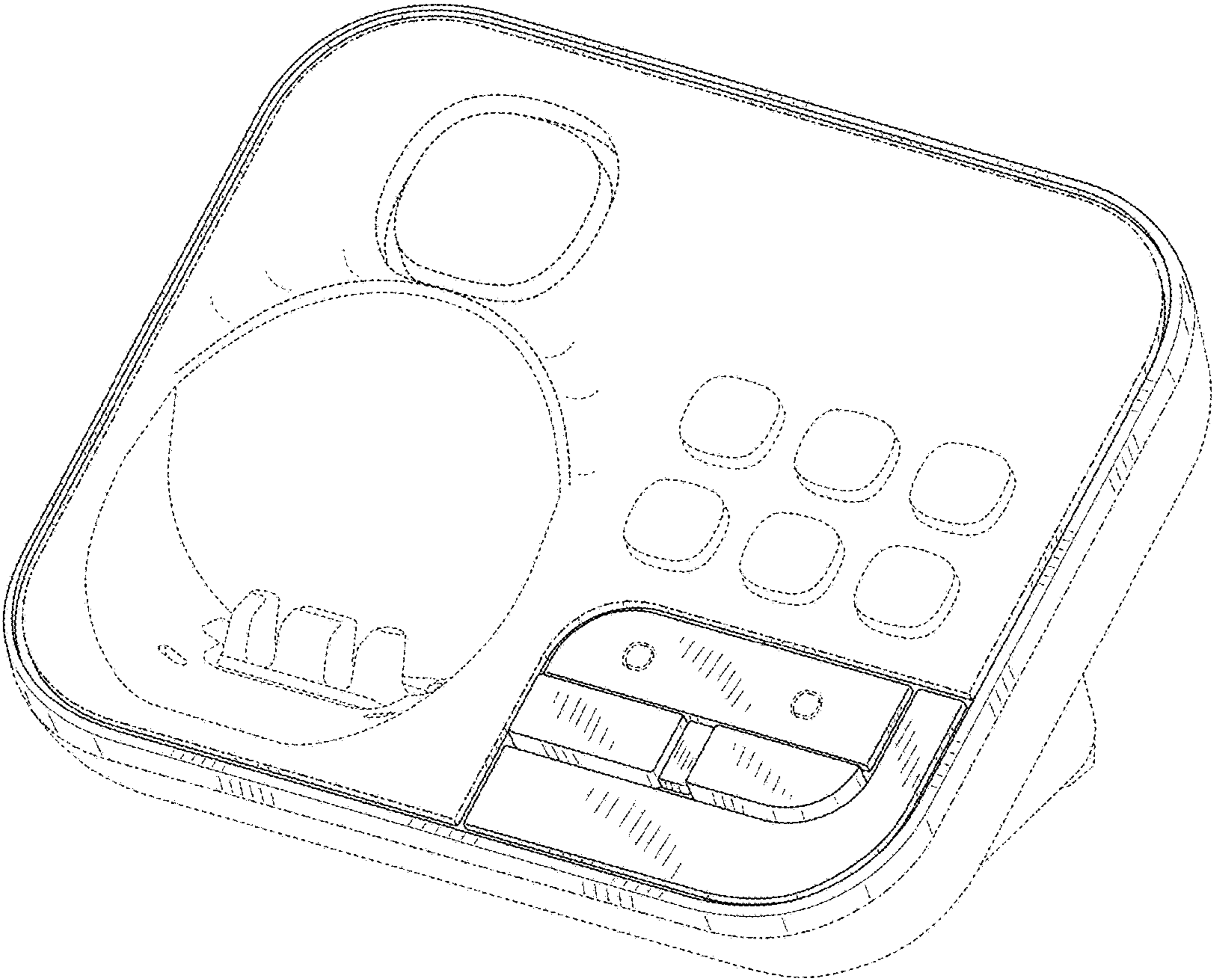


FIG.2

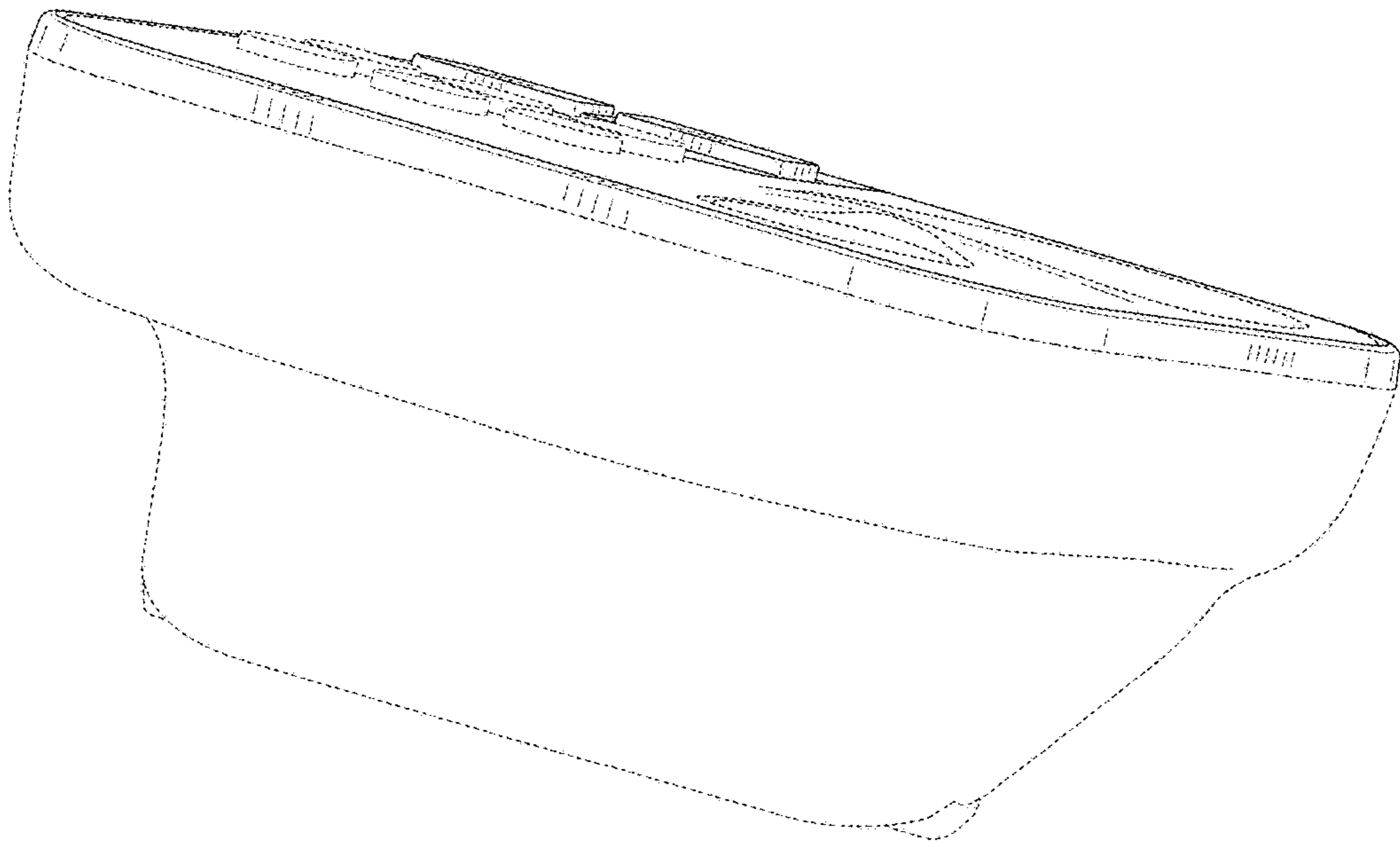


FIG.3

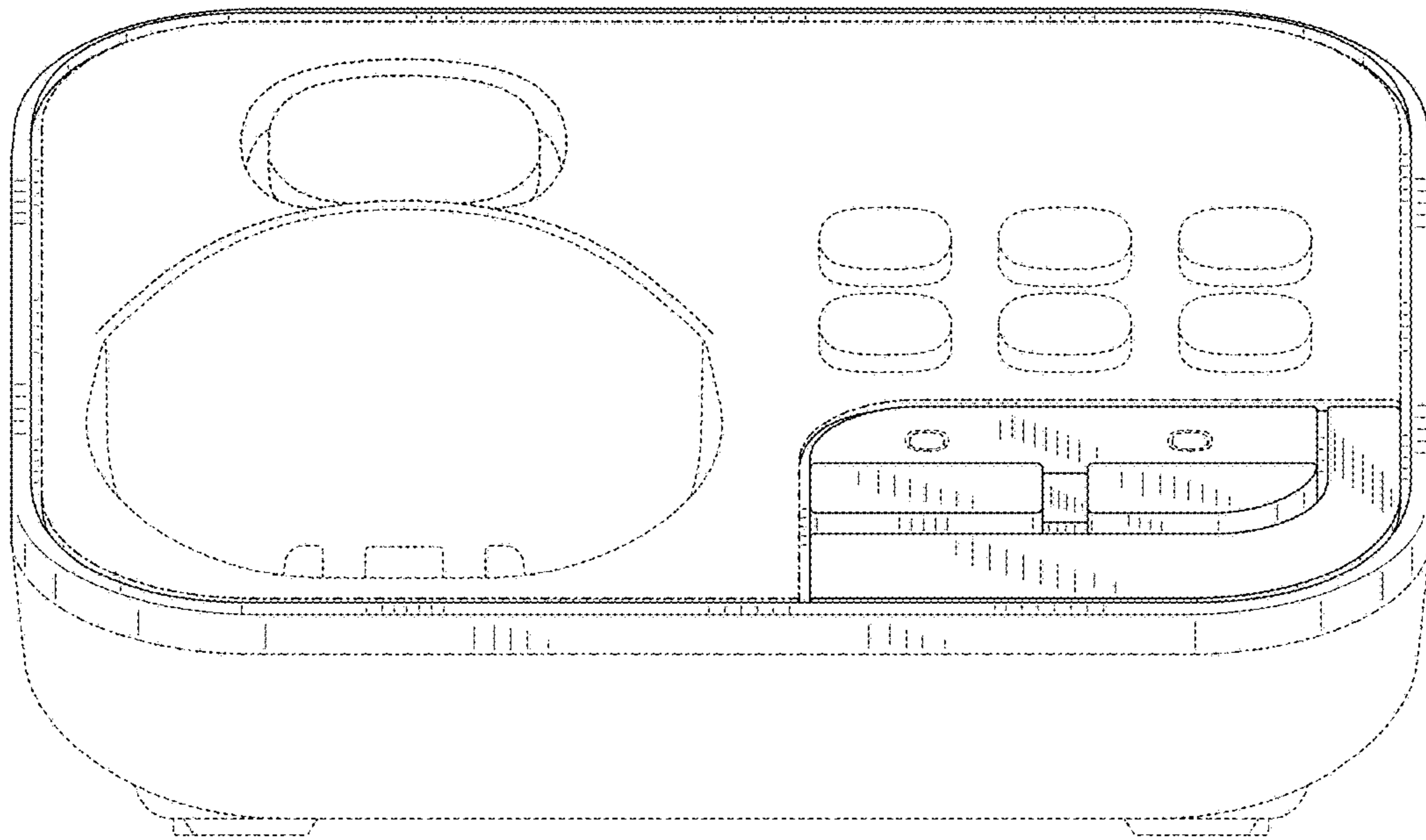


FIG.4

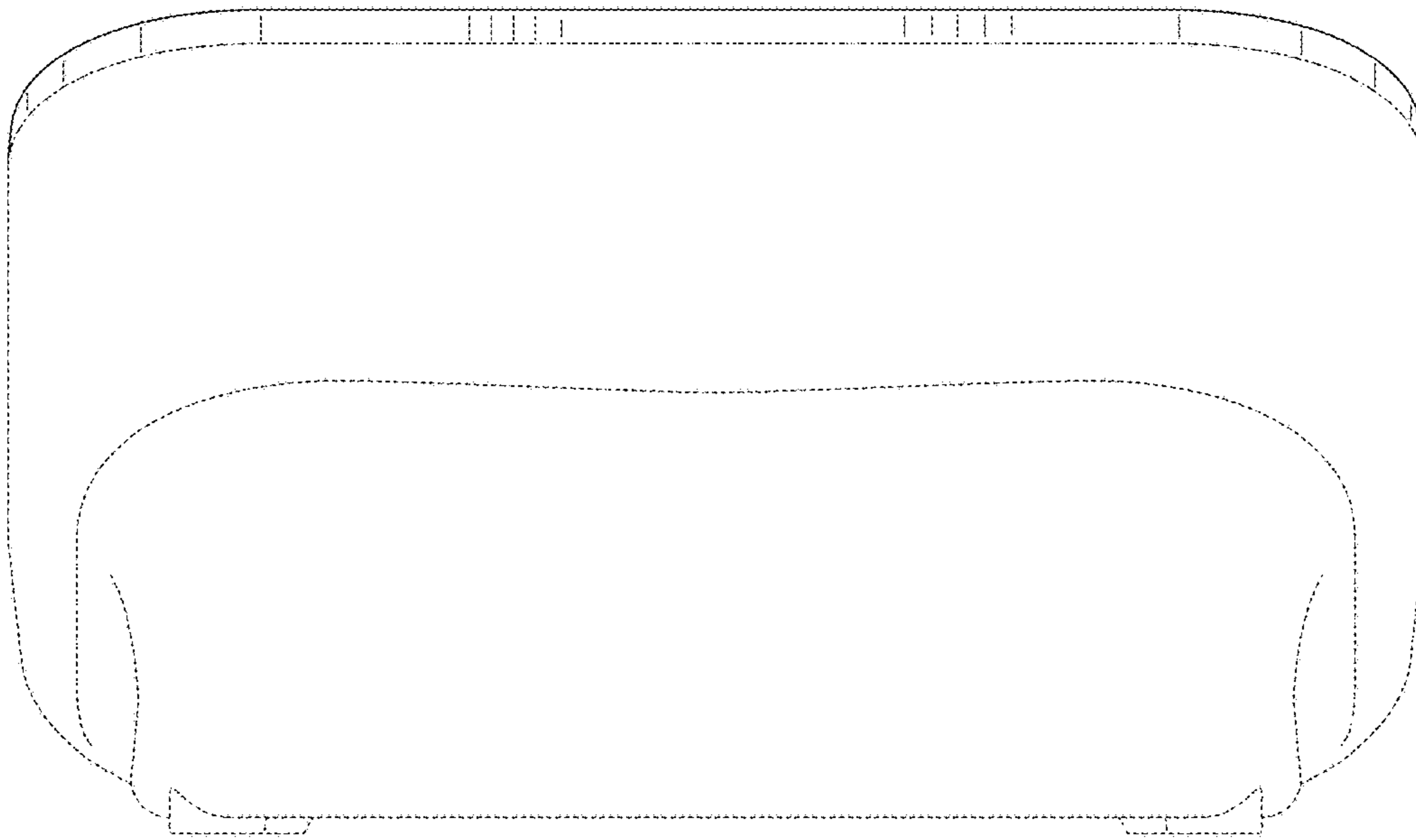




FIG. 5

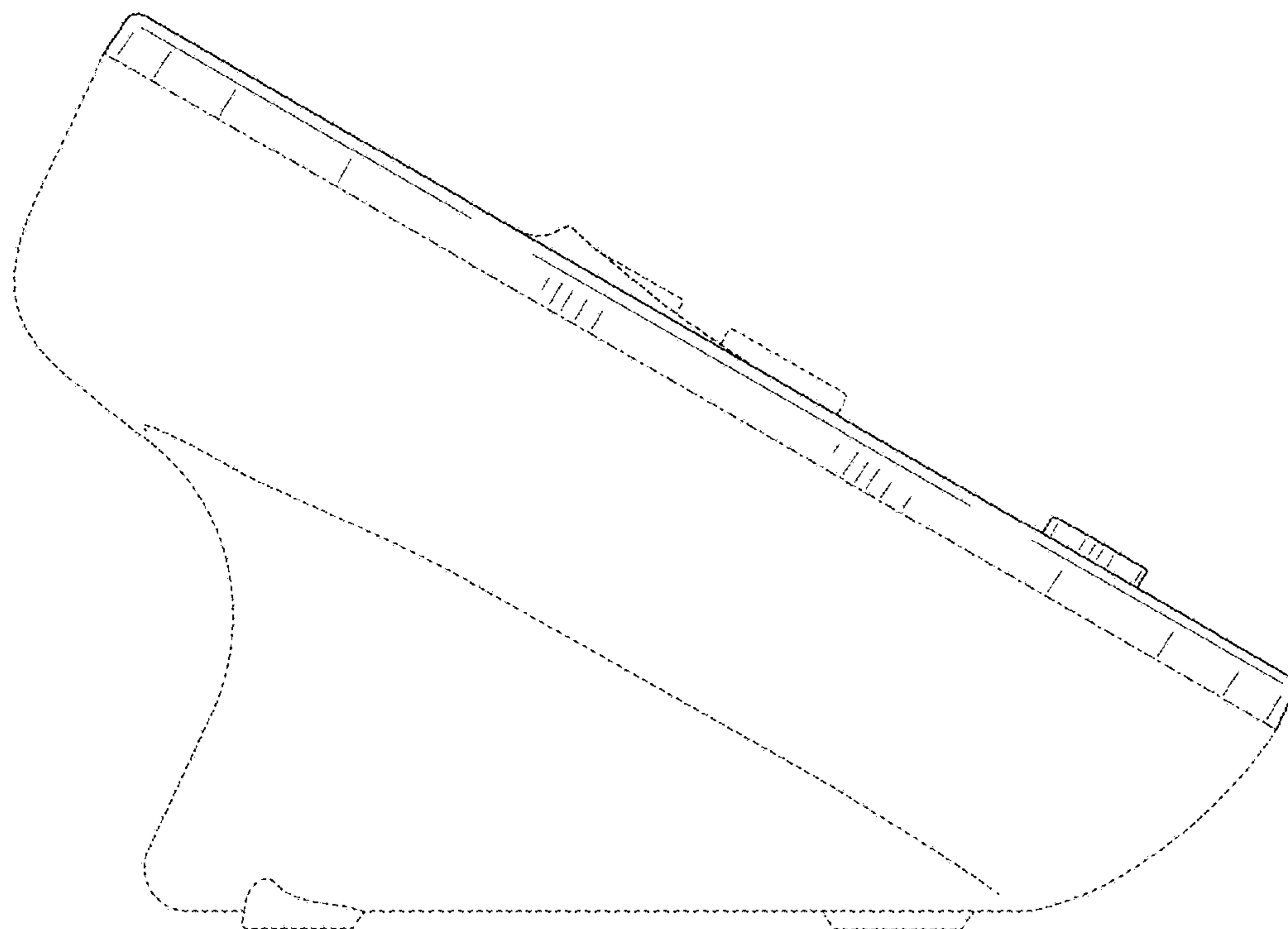


FIG.6

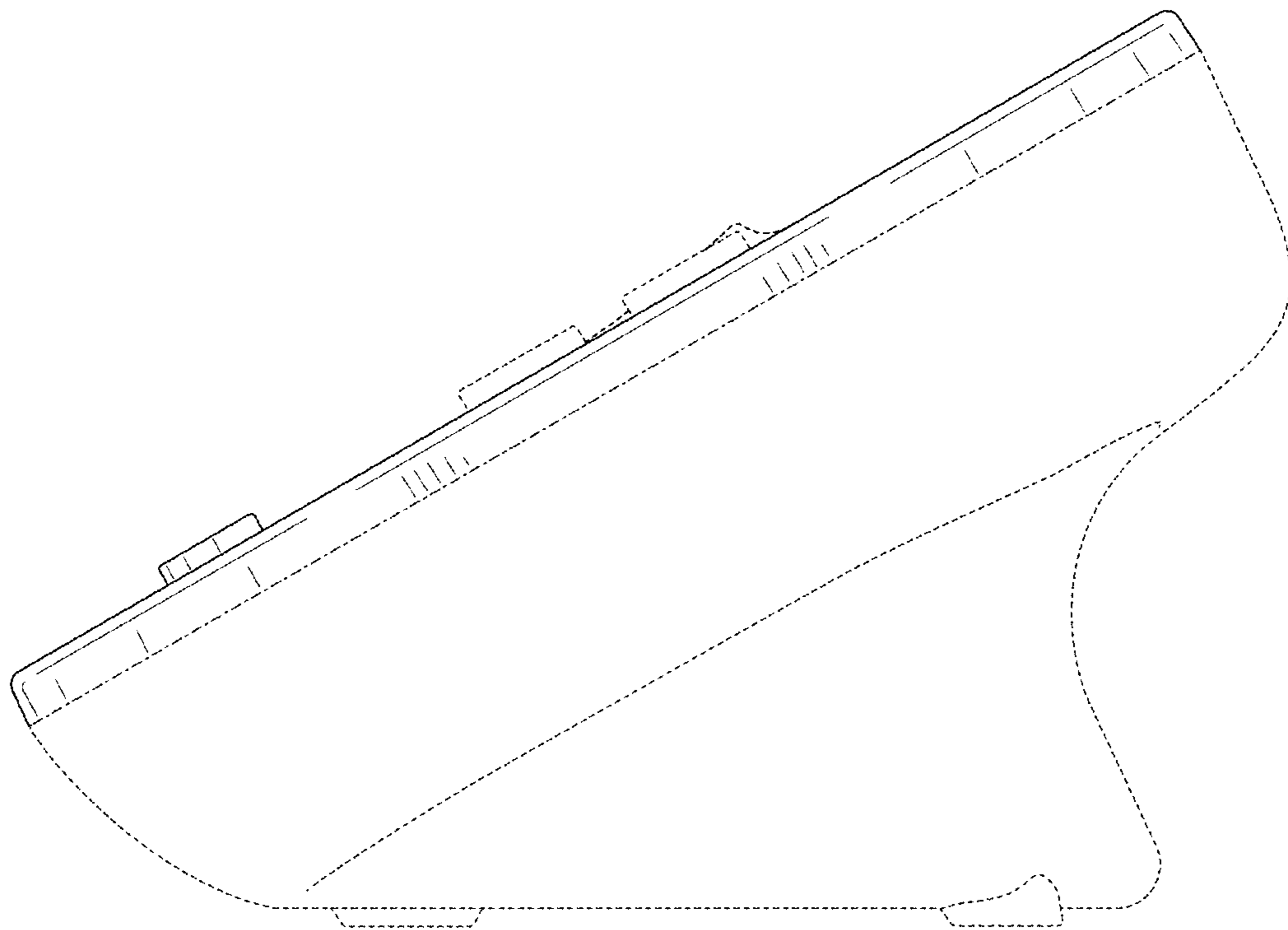




FIG. 7

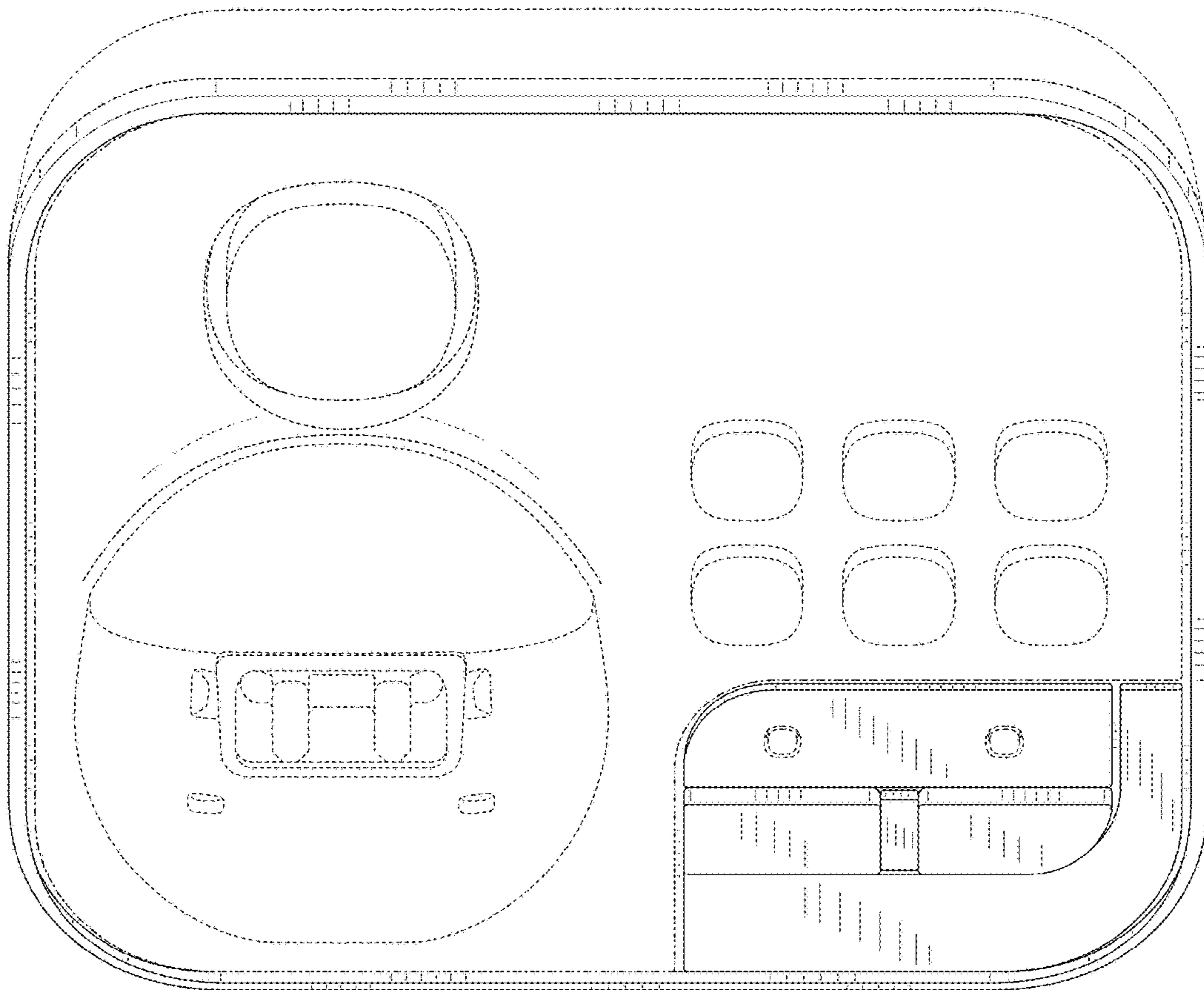


FIG.8

