



US00D794587S

(12) **United States Design Patent**  
**Page et al.**

(10) **Patent No.:** **US D794,587 S**  
(45) **Date of Patent:** **\*\* Aug. 15, 2017**

(54) **COMMUNICATION DEVICE**

(71) Applicant: **MOTOROLA SOLUTIONS, INC.**,  
Schaumburg, IL (US)

(72) Inventors: **Michael J Page**, Miami, FL (US);  
**Nicola Girotti**, Copenhagen Ø (DK);  
**Chor Cheow Ng**, Butterworth (MY);  
**Sih Hau Tan**, Puchong (MY)

(73) Assignee: **MOTOROLA SOLUTIONS, INC.**,  
Chicago, IL (US)

(\*\*) Term: **15 Years**

(21) Appl. No.: **29/564,414**

(22) Filed: **May 12, 2016**

(51) **LOC (10) Cl.** ..... **14-03**

(52) **U.S. Cl.**  
USPC ..... **D14/137**

(58) **Field of Classification Search**  
USPC ..... D14/137, 138 AA, 138 R, 172, 203.7,  
D14/138 AB, 159, 191, 299, 496,  
(Continued)

(56) **References Cited**

**U.S. PATENT DOCUMENTS**

D653,225 S \* 1/2012 Yong ..... D14/137  
D662,482 S \* 6/2012 Kaner ..... D14/137  
(Continued)

**OTHER PUBLICATIONS**

Motorola Solutions ST7000, May 2016, [online], [site visited May 10, 2017]. Retrieved from <url:https://www.motorolasolutions.com/content/dam/msi/docs/products/dimetra-tetra/terminals/portable-terminals/st7000/st7000-datasheet.pdf>.\*

*Primary Examiner* — Jeffrey D Asch  
*Assistant Examiner* — Tracey J Bell

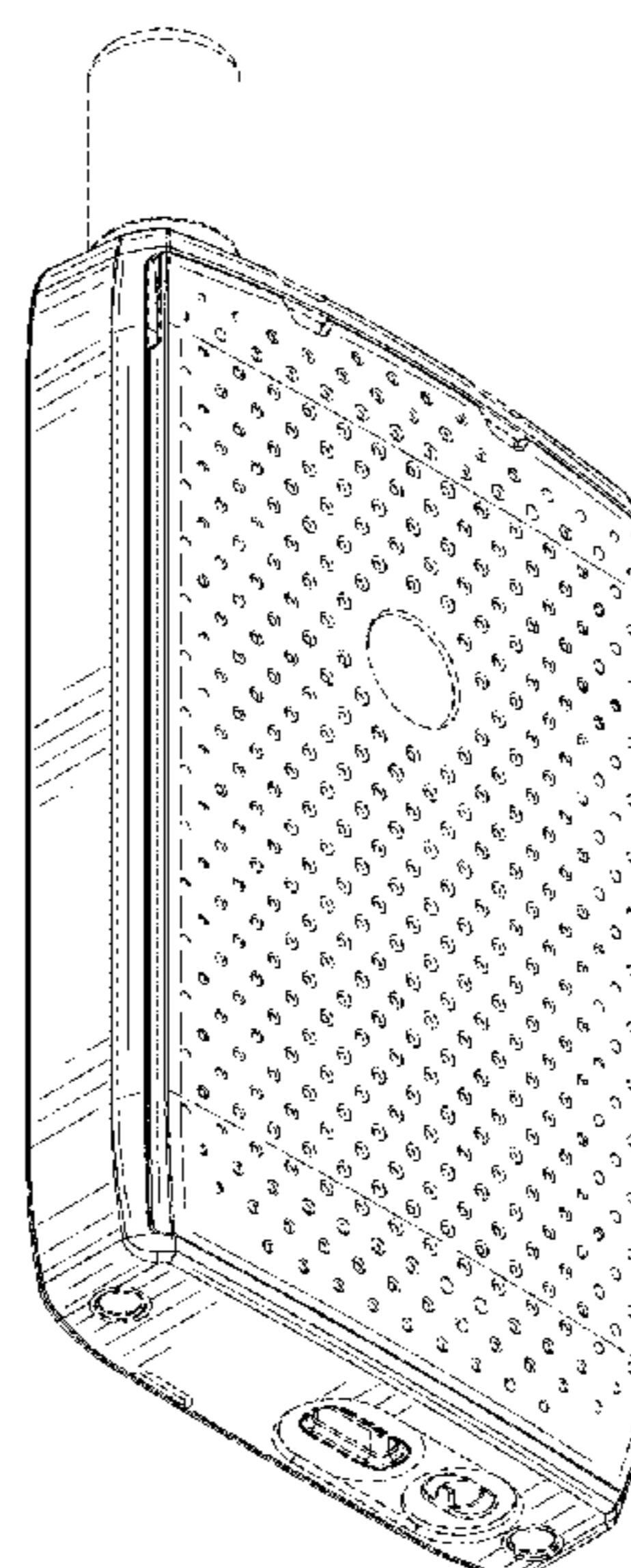
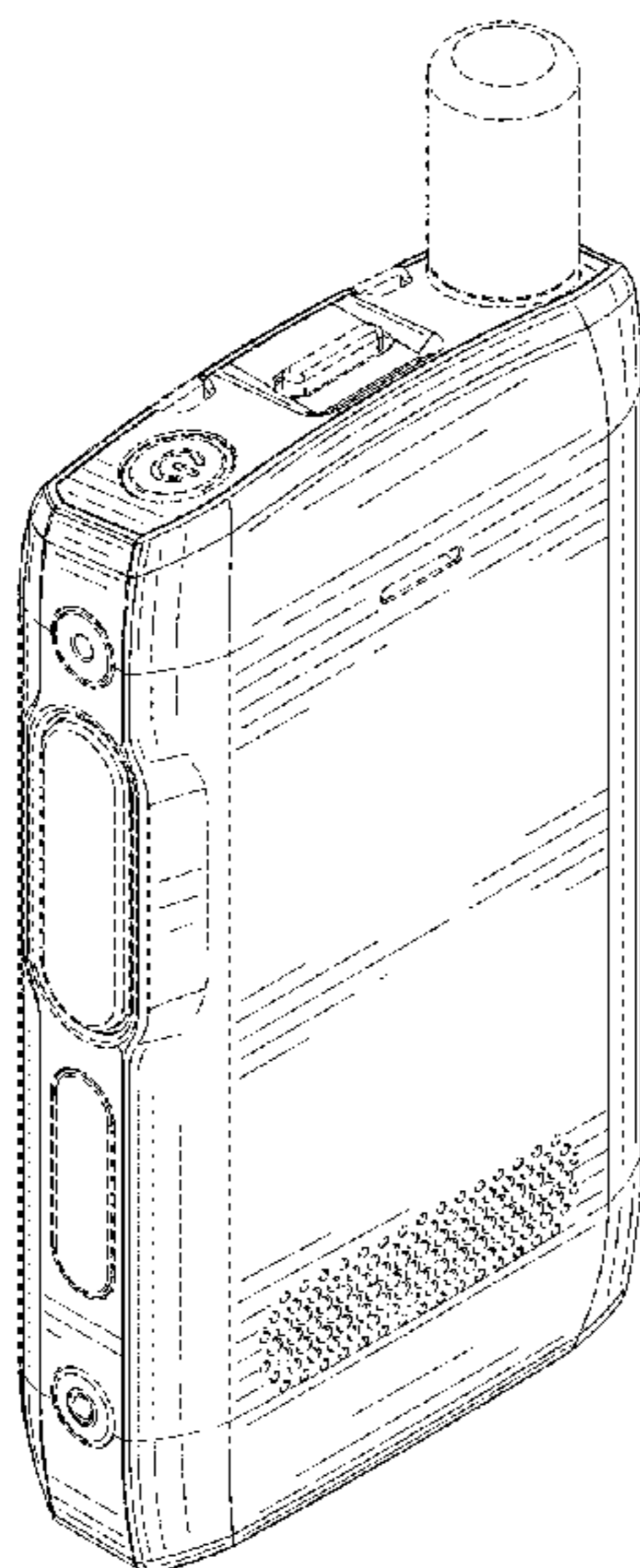
(57) **CLAIM**

The ornamental design for a communication device, as shown and described.

**DESCRIPTION**

FIG. 1 is a front perspective view of a first embodiment of an ornamental design for a communication device; FIG. 2 is a rear perspective view of the first embodiment thereof; FIG. 3 is a front view of the first embodiment thereof; FIG. 4 is a rear view of the first embodiment thereof; FIG. 5 is a first side view of the first embodiment thereof; FIG. 6 is a second side view of the first embodiment thereof; FIG. 7 is a top view of the first embodiment thereof; and FIG. 8 is a bottom view of the first embodiment thereof. FIG. 9 is a front perspective view of a second embodiment of an ornamental design for a communication device; FIG. 10 is a rear perspective view of the second embodiment thereof; FIG. 11 is a front view of the second embodiment thereof; FIG. 12 is a rear view of the second embodiment thereof; FIG. 13 is a first side view of the second embodiment thereof; FIG. 14 is a second side view of the second embodiment thereof; FIG. 15 is a top view of the second embodiment thereof; and, FIG. 16 is a bottom view of the second embodiment thereof. The broken lines shown in FIGS. 1-8, that are immediately adjacent to the shaded areas, and define unshaded regions, represent the bounds of the first embodiment, while all other broken lines are directed to environment and are for illustrative purposes only; the broken lines form no part of the first embodiment.

**1 Claim, 12 Drawing Sheets**



(58) **Field of Classification Search**

USPC ..... D14/138 AC, 138 AD, 138 G, 203.1,  
D14/203.3, 203.4, 218, 248, 341, 342,  
D14/343, 345, 346, 347, 426; D10/65,  
D10/160.1, 70; D13/107; D24/186, 167;  
D21/324, 329, 133  
CPC .. H04M 1/0214; H04M 11/022; H04M 1/026;  
H04M 1/027; H04M 1/0202; H04M  
1/0279; H04M 1/0235; H04M 1/0237;  
H04M 1/0239; H04M 1/0266; H04M  
1/0268; H04M 1/0295; G06F 1/1622;  
G06F 1/1626; G06F 1/1652

See application file for complete search history.

(56) **References Cited**

U.S. PATENT DOCUMENTS

D663,277	S	*	7/2012	Yong	.....	D14/137
D685,753	S	*	7/2013	Kang	.....	D14/137
D700,157	S	*	2/2014	Kang	.....	D14/137
D700,158	S	*	2/2014	Kang	.....	D14/137
D711,346	S	*	8/2014	Ismail	.....	D14/137
D717,259	S	*	11/2014	Ooi	.....	D14/137
D731,452	S	*	6/2015	Yong	.....	D14/137
D752,536	S	*	3/2016	Ooi	.....	D14/137
D754,088	S	*	4/2016	Ooi	.....	D14/137
D785,584	S	*	5/2017	Nilsen	.....	D14/137
D785,585	S	*	5/2017	Ismail	.....	D14/137

\* cited by examiner

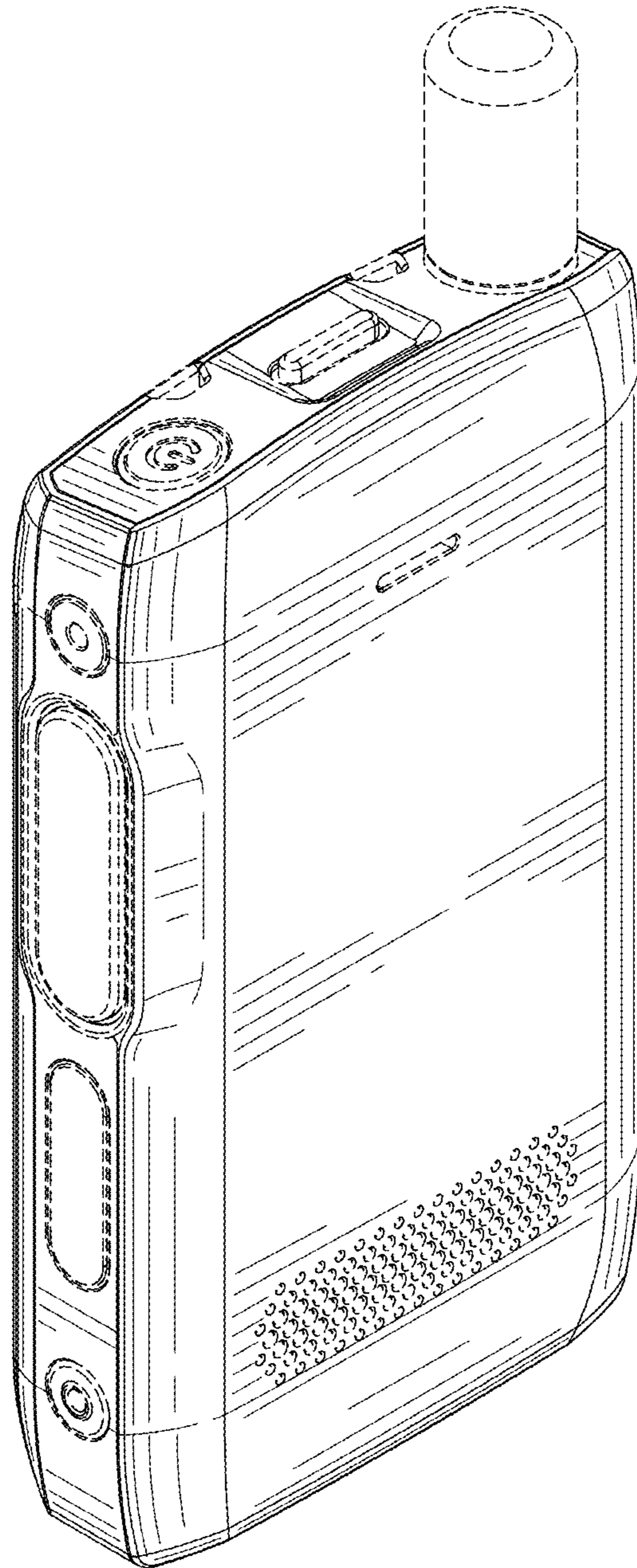


FIG. 1

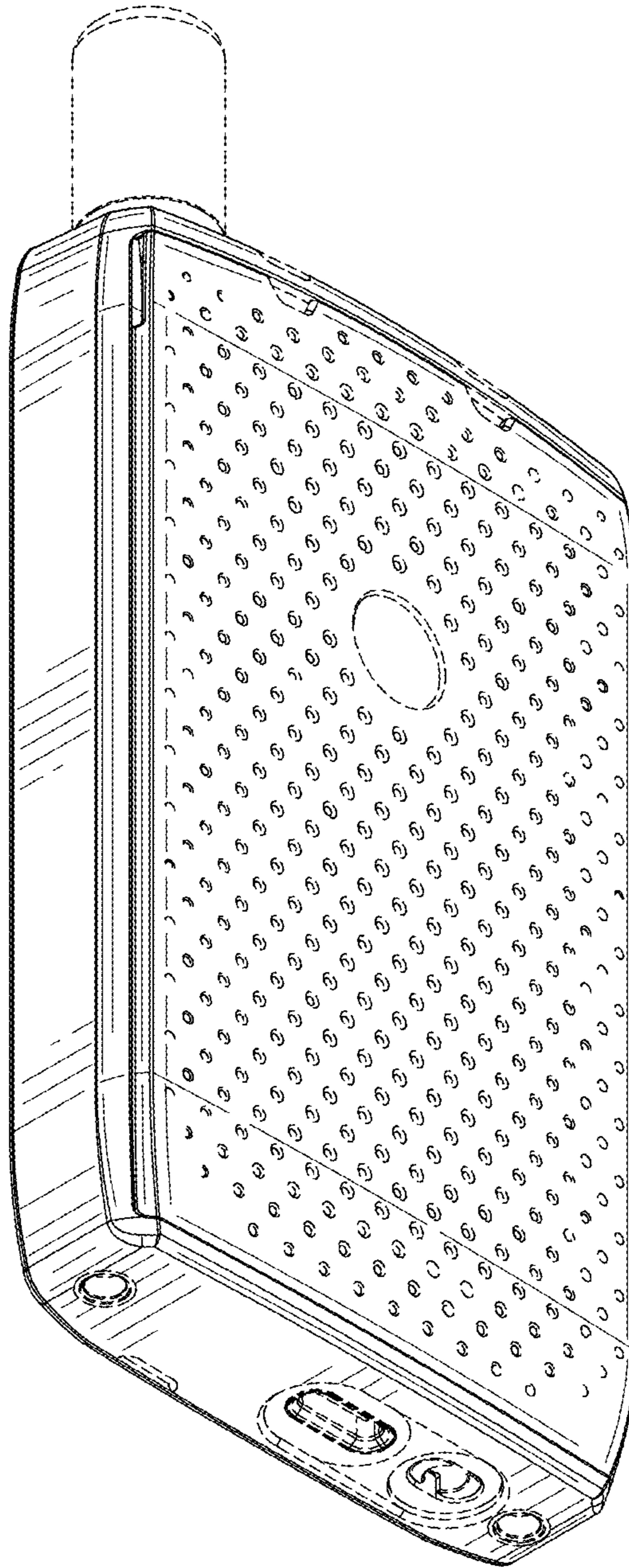


FIG. 2

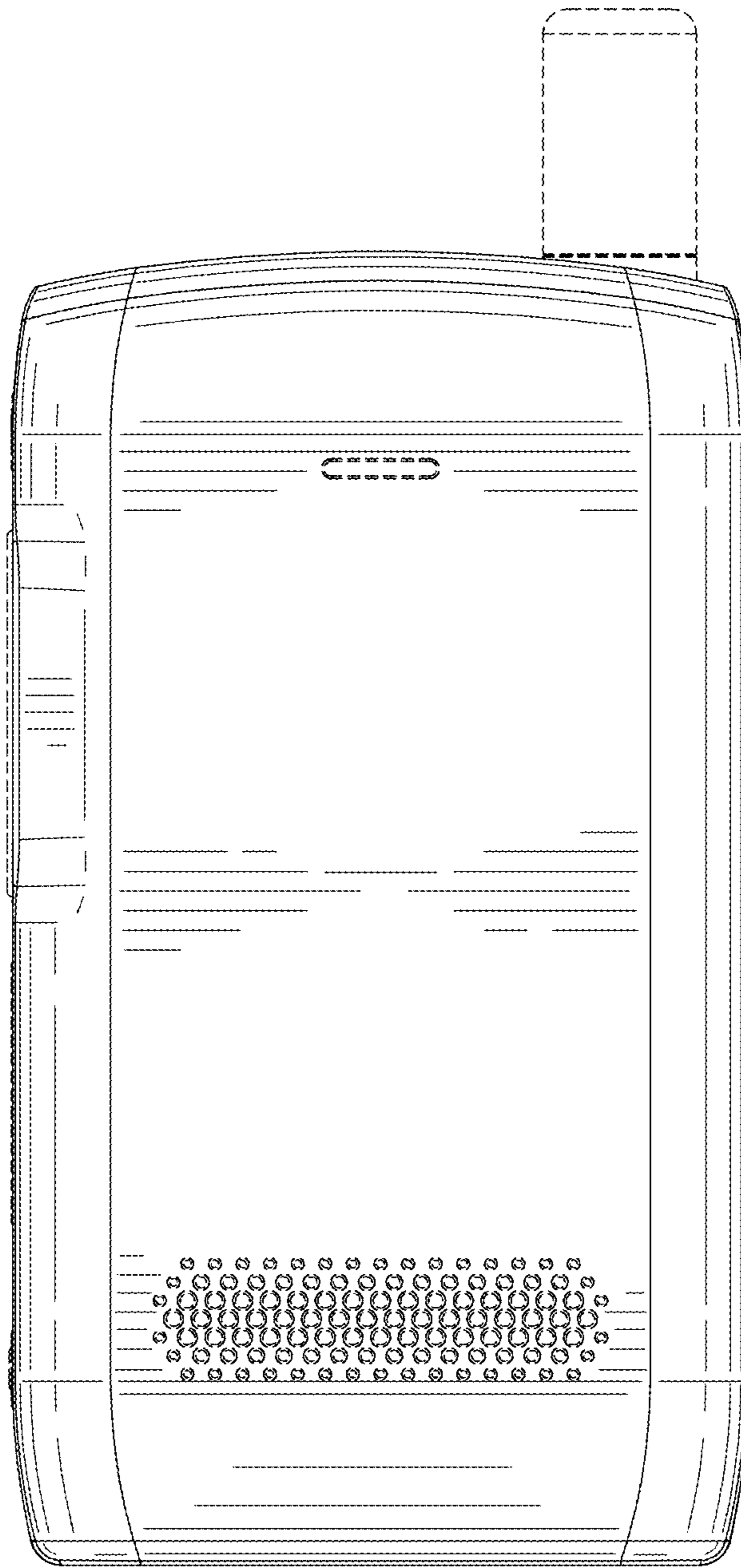


FIG. 3

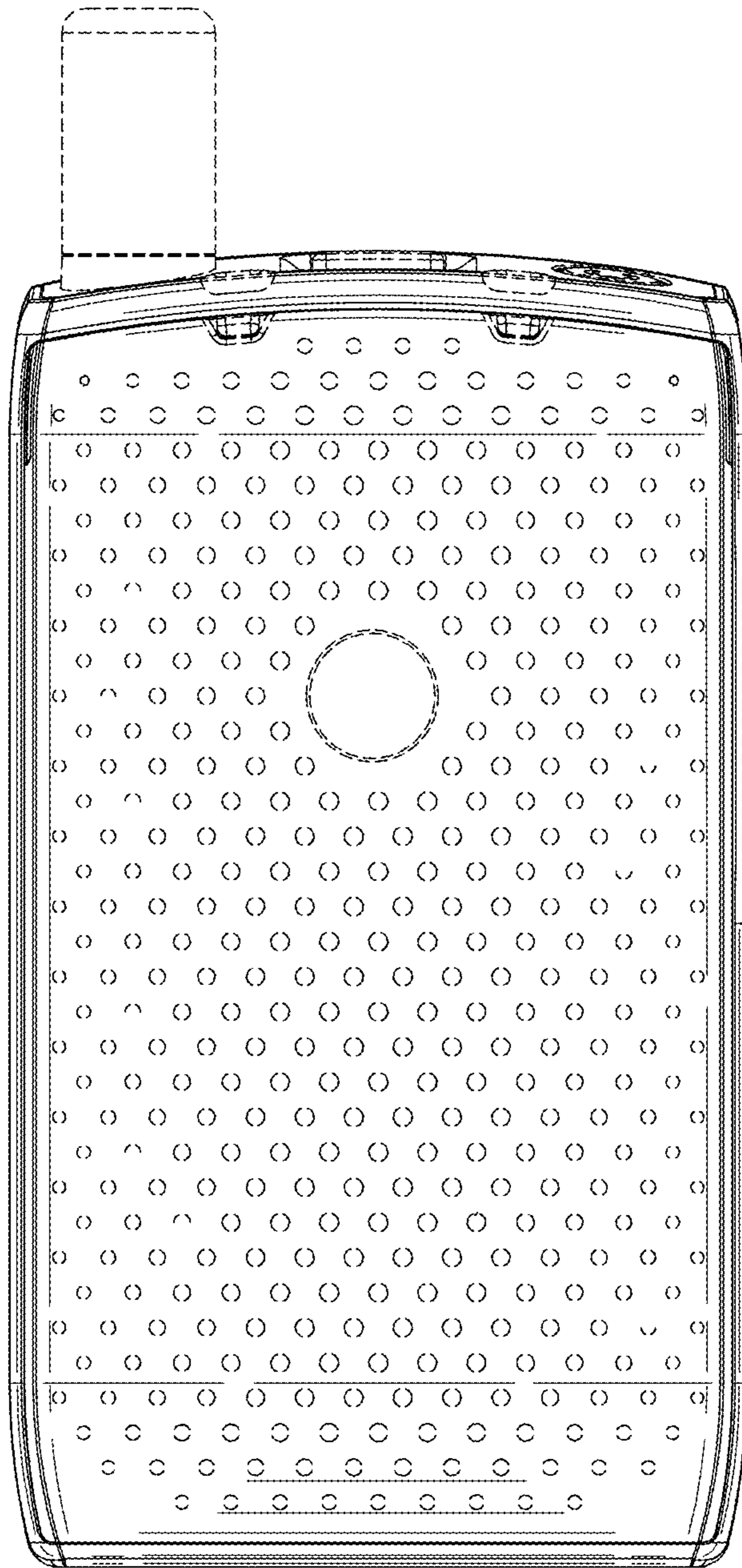


FIG. 4

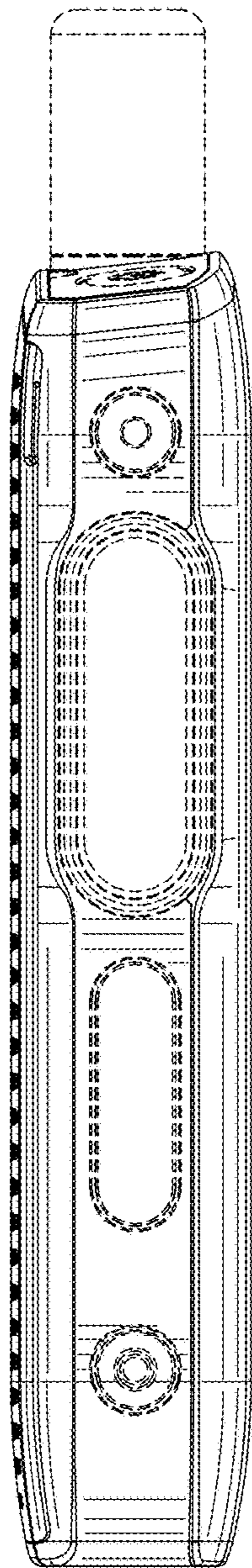


FIG. 5

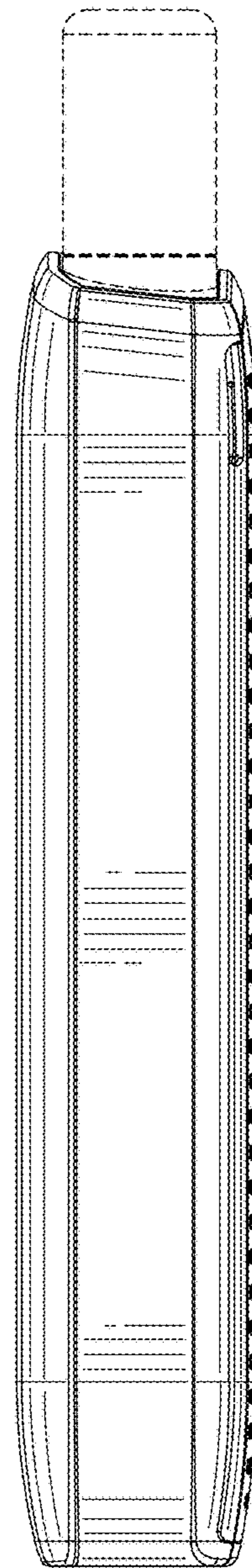


FIG. 6

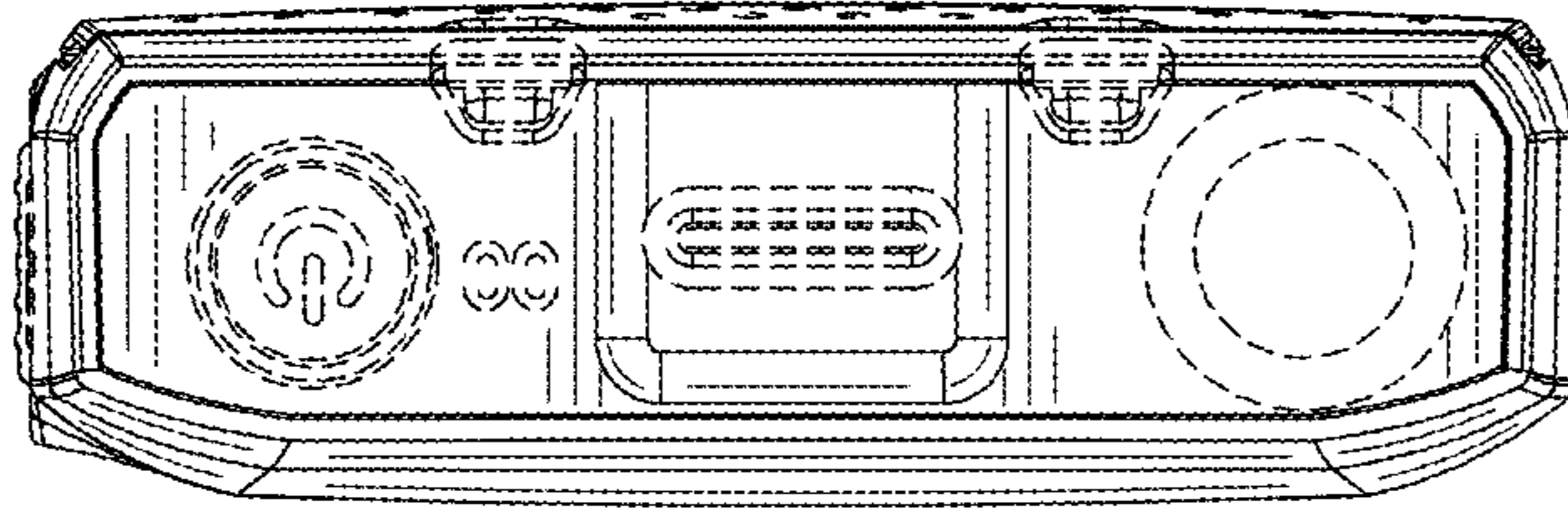


FIG. 7

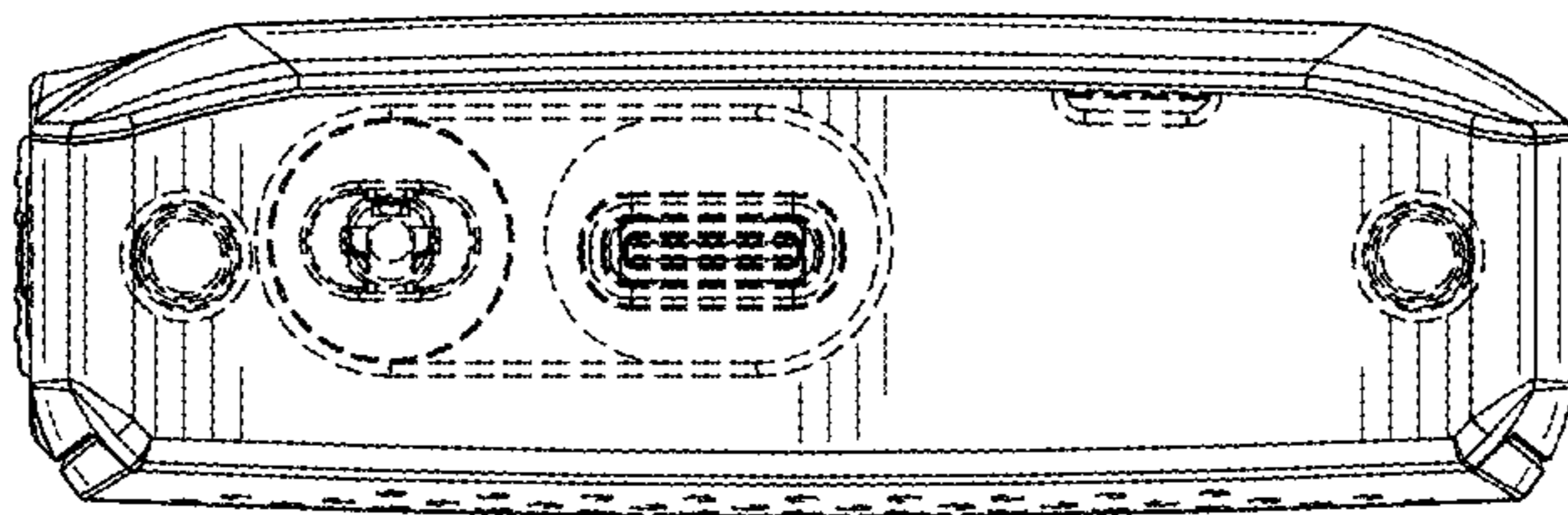


FIG. 8



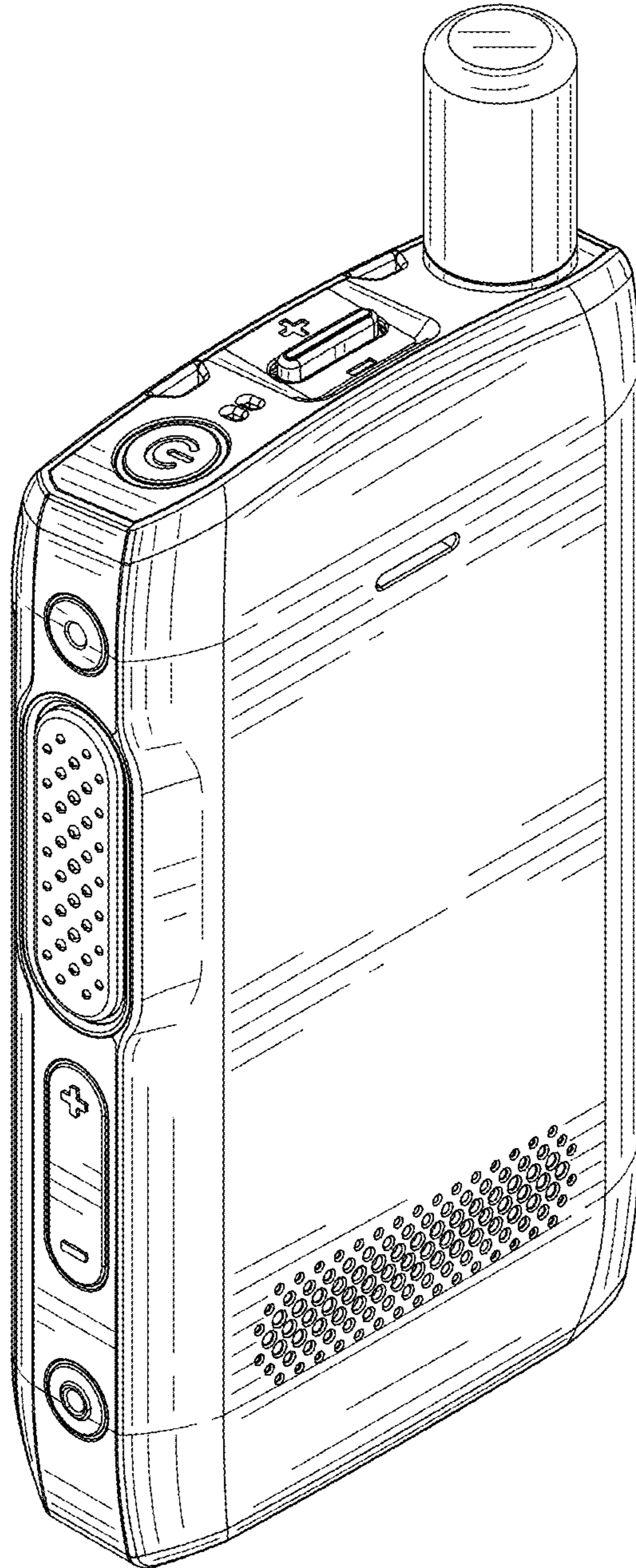


FIG. 9

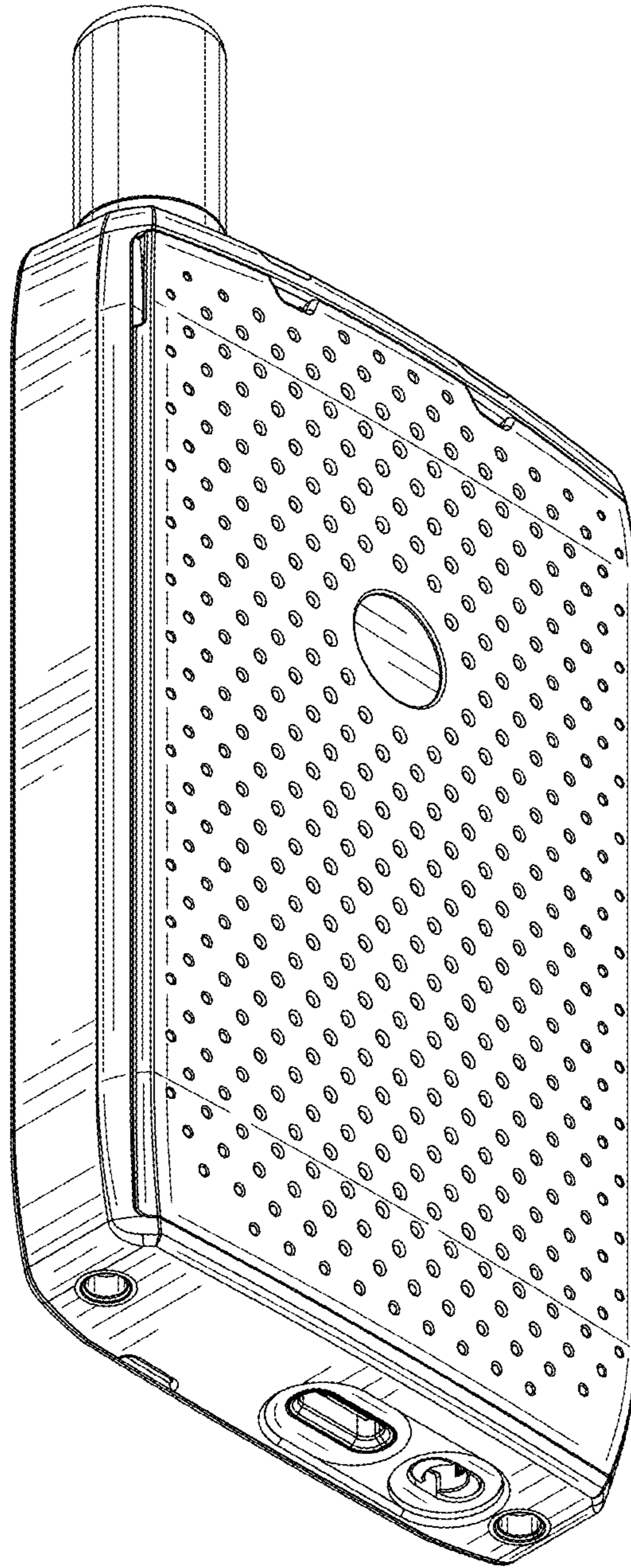


FIG. 10

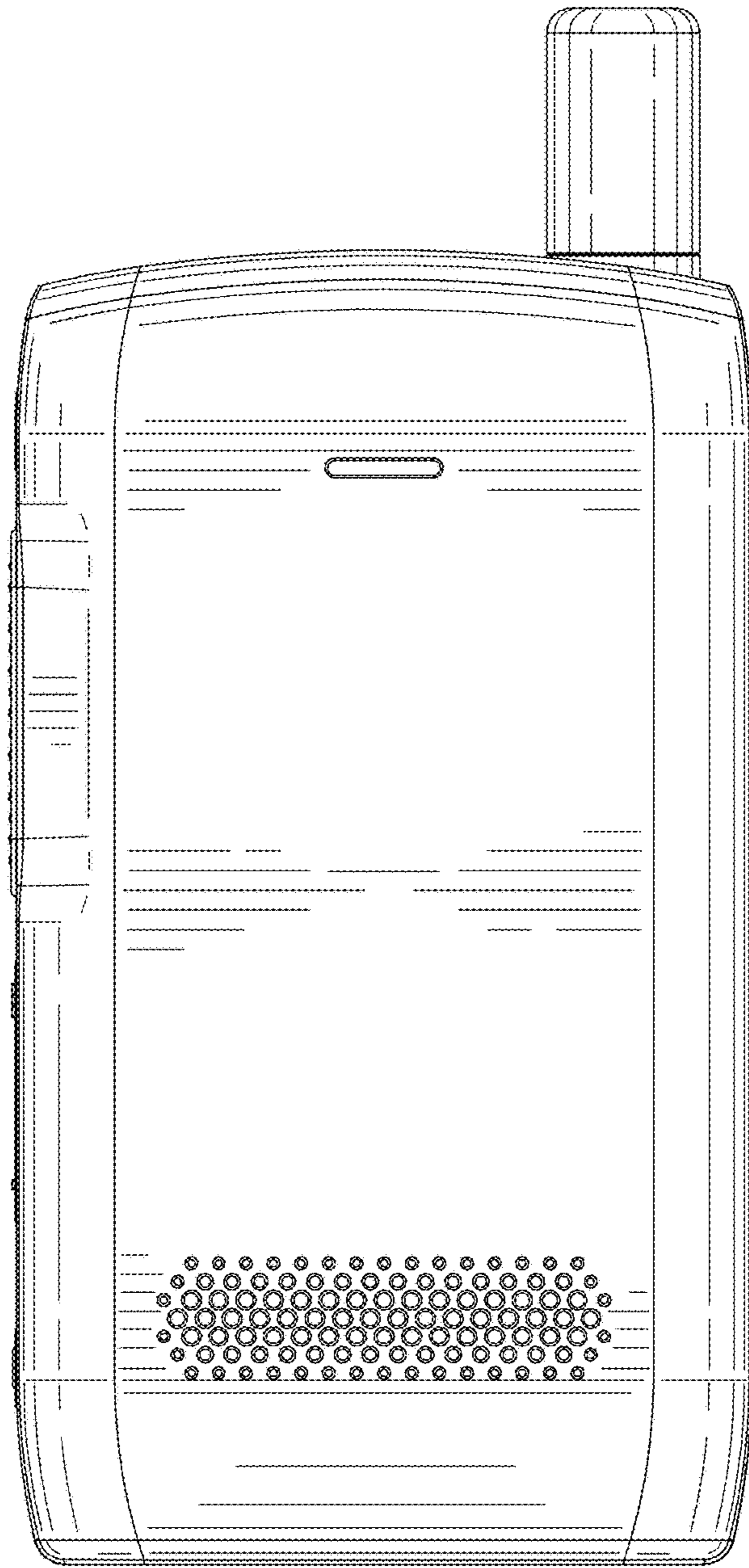


FIG. 11

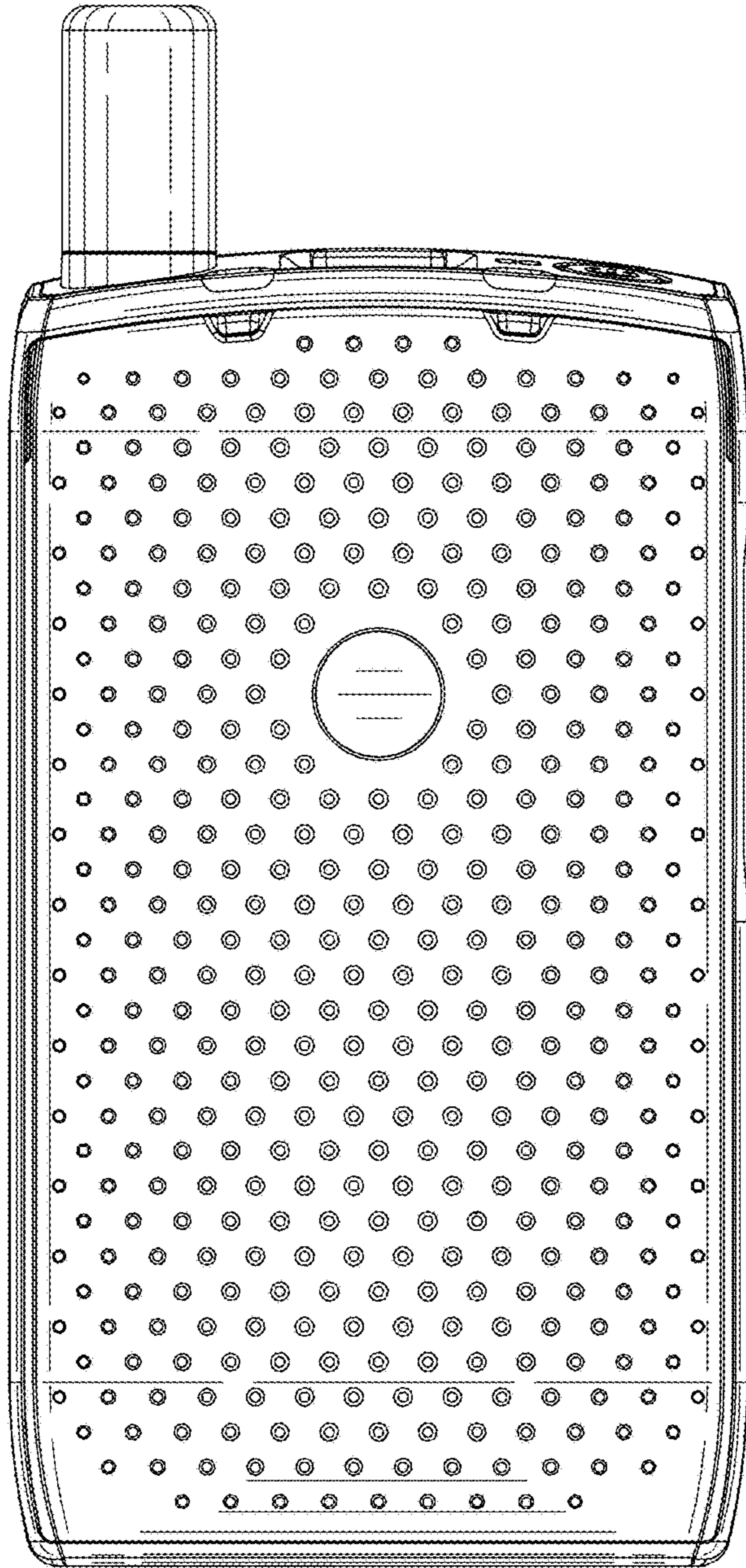


FIG. 12

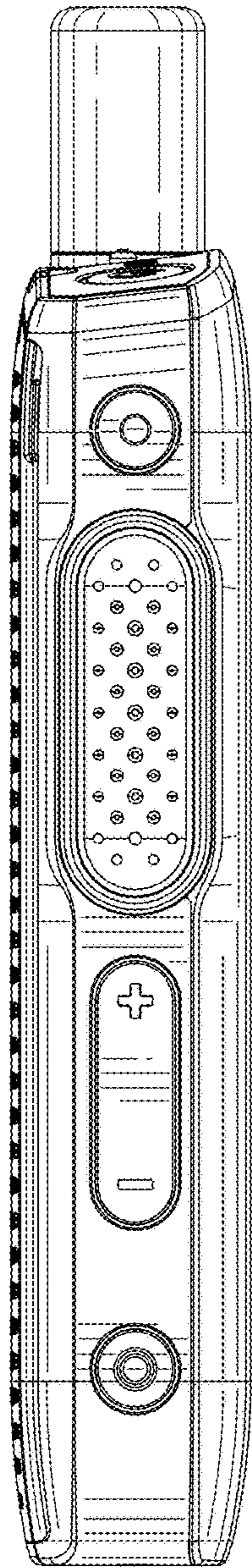


FIG. 13

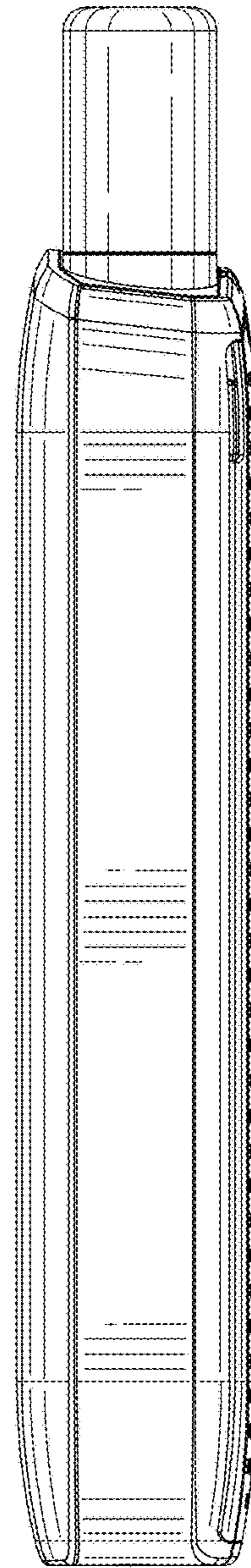


FIG. 14

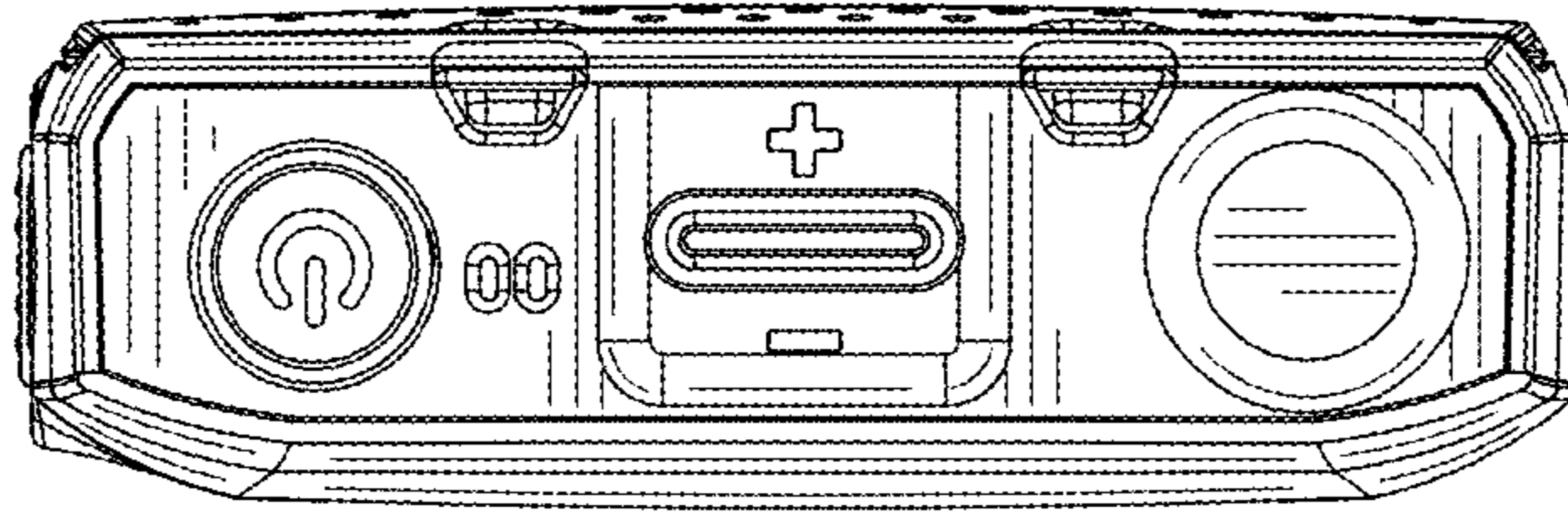


FIG. 15

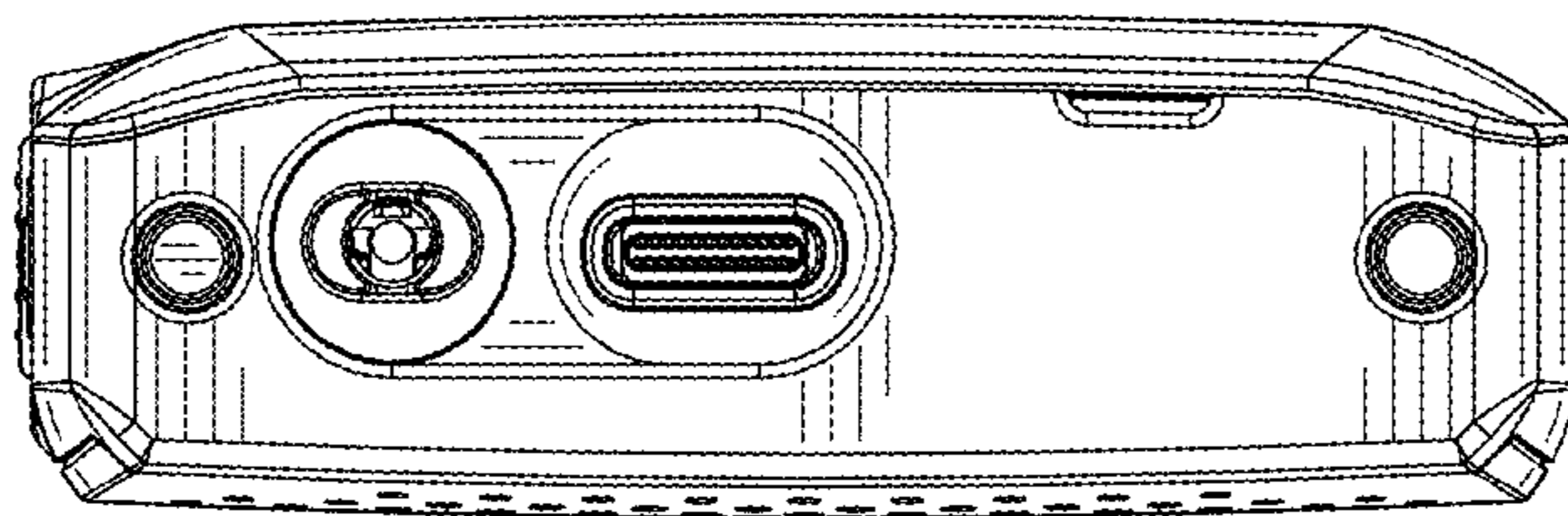


FIG. 16