



US00D794584S

(12) **United States Design Patent** (10) **Patent No.:** **US D794,584 S**  
**Zhao** (45) **Date of Patent:** **\*\* Aug. 15, 2017**

(54) **ELECTRODE STRIP** D532,757 S \* 11/2006 Lai ..... D13/182  
7,141,187 B2 \* 11/2006 Kosuzu ..... H01M 4/134  
252/521.3

(71) Applicant: **QINGDAO BRIGHT MEDICAL MANUFACTURING CO., LTD.,**  
Qingdao (CN) D533,847 S \* 12/2006 Lai ..... D13/182  
D534,134 S \* 12/2006 Lai ..... D13/182  
D534,506 S \* 1/2007 Lai ..... D13/182  
D535,264 S \* 1/2007 Lai ..... D13/182

(72) Inventor: **Dezheng Zhao**, Qingdao (CN) D652,809 S \* 1/2012 Wedding ..... D13/182  
D681,571 S \* 5/2013 Omori ..... D13/182  
D681,572 S \* 5/2013 Omori ..... D13/182

(73) Assignee: **QINGDAO BRIGHT MEDICAL MANUFACTURING CO., LTD.,**  
Qingdao, Shandong (CN) 8,481,214 B2 \* 7/2013 Rojeski ..... B82Y 30/00  
429/218.1  
8,911,900 B2 \* 12/2014 Uchida ..... H01M 4/0404  
429/211

(\*\*) Term: **14 Years** 2005/0064291 A1 \* 3/2005 Sato ..... H01M 4/134  
429/233

(21) Appl. No.: **29/506,506**

(22) Filed: **Oct. 16, 2014**

(30) **Foreign Application Priority Data**

Apr. 16, 2014 (CN) ..... 2014 3 0091136

(51) **LOC (10) Cl.** ..... **13-03**

(52) **U.S. Cl.**  
USPC ..... **D13/182**

(58) **Field of Classification Search**

USPC ..... D13/182  
CPC ..... H01M 4/00; H01M 4/02; H01M 4/04;  
H01M 4/70; H01M 4/75; H01M 4/78;  
H01M 2004/021; H01M 2004/025; A61B  
5/0408; A61B 5/04082; A61B 5/04085  
See application file for complete search history.

(56) **References Cited**

**U.S. PATENT DOCUMENTS**

1,447,657 A \* 3/1923 Gouin ..... H01M 4/75  
361/508  
D532,756 S \* 11/2006 Lai ..... D13/182

\* cited by examiner

*Primary Examiner* — Elizabeth J Oswecki  
(74) *Attorney, Agent, or Firm* — Buchanan, Ingersoll & Rooney PC

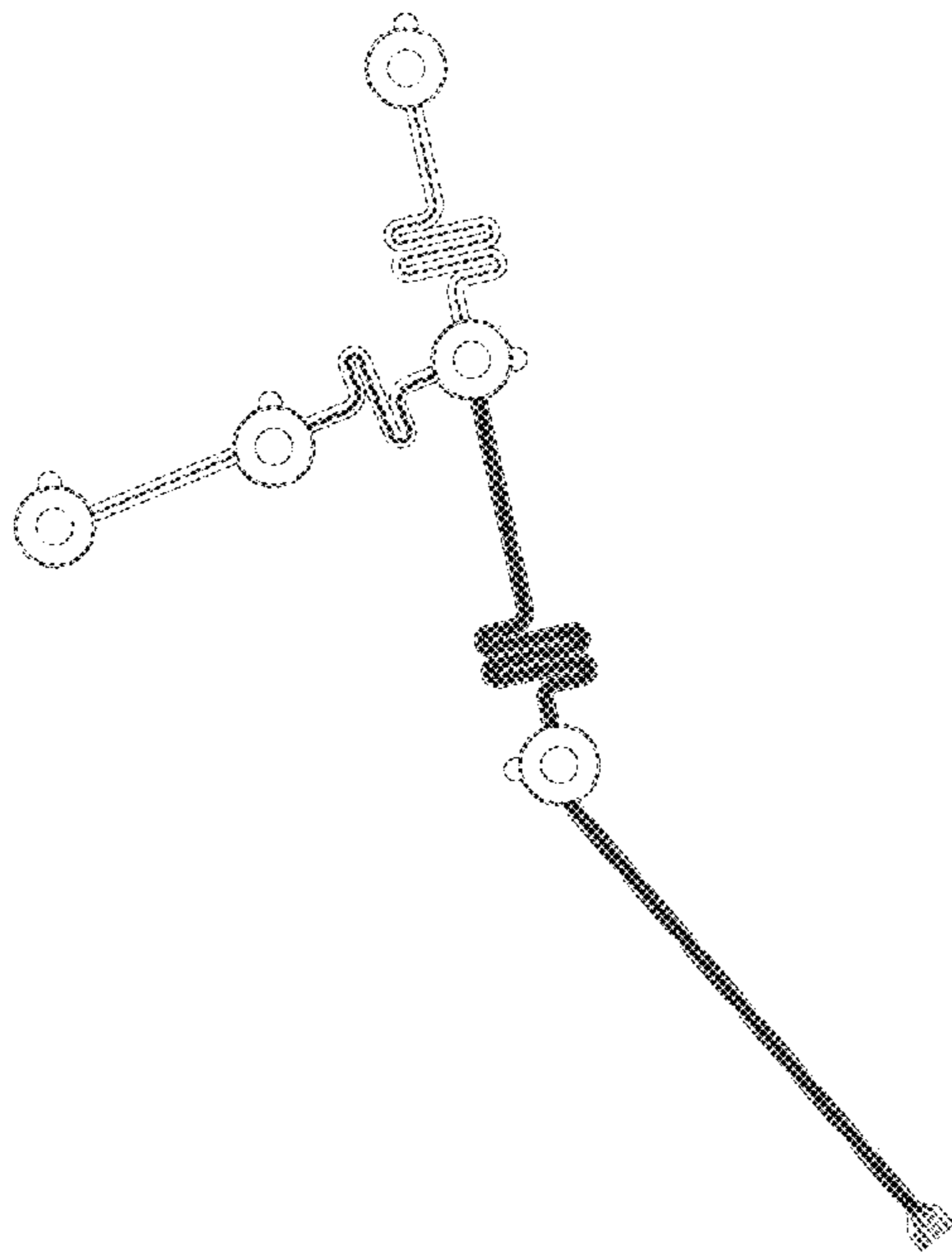
(57) **CLAIM**

The ornamental design for an electrode strip, as shown and described.

**DESCRIPTION**

FIG. 1 is a front elevational view of an electrode strip showing my new design;  
FIG. 2 is a bottom perspective view thereof;  
FIG. 3 is a rear elevational view thereof;  
FIG. 4 is a left side perspective view thereof;  
FIG. 5 is a right side perspective view thereof; and,  
FIG. 6 is a top perspective view thereof.  
The broken line showing of the text and symbols within the circles in FIG. 3 is for environmental purposes only and forms no part of the claimed design.

**1 Claim, 6 Drawing Sheets**



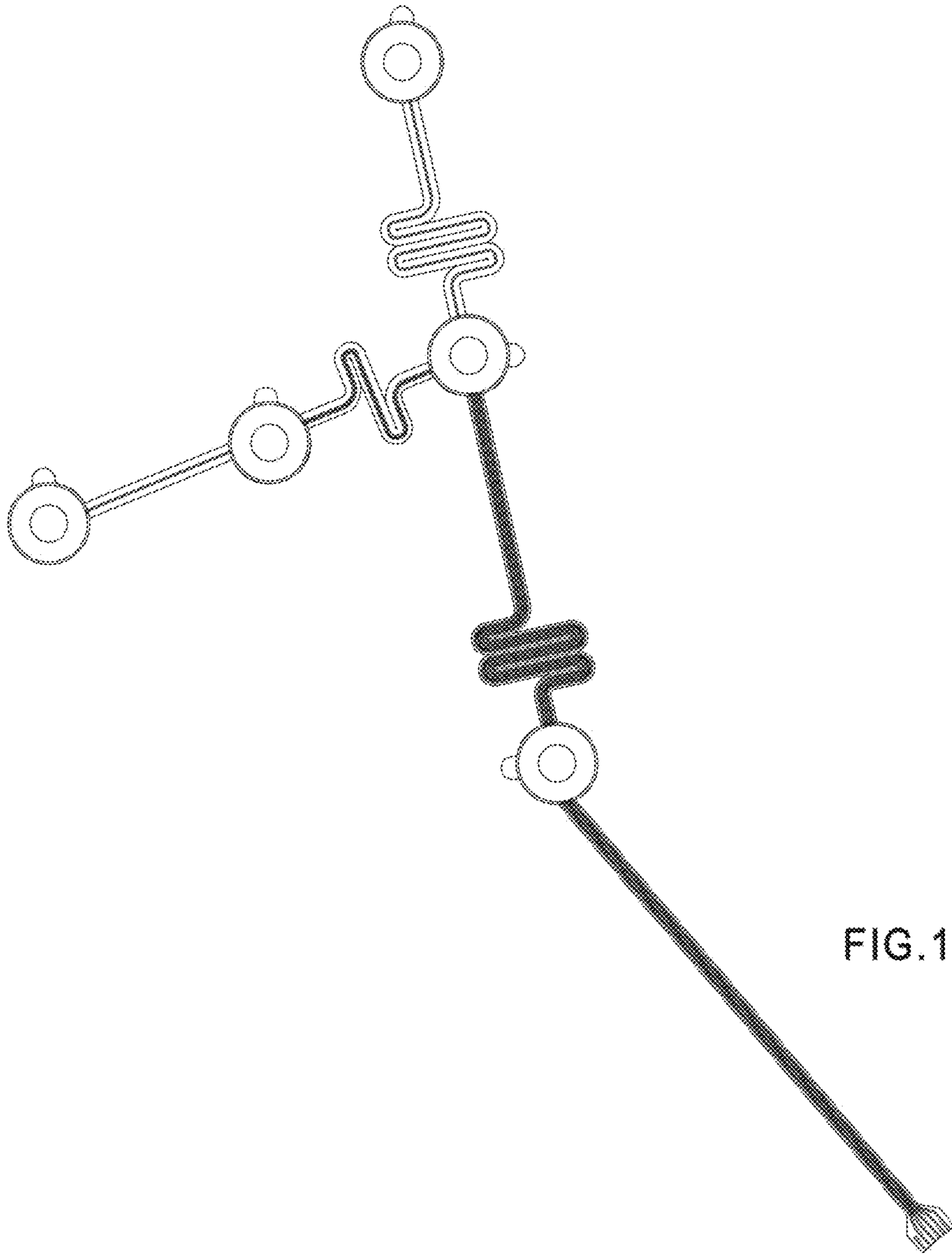


FIG. 1

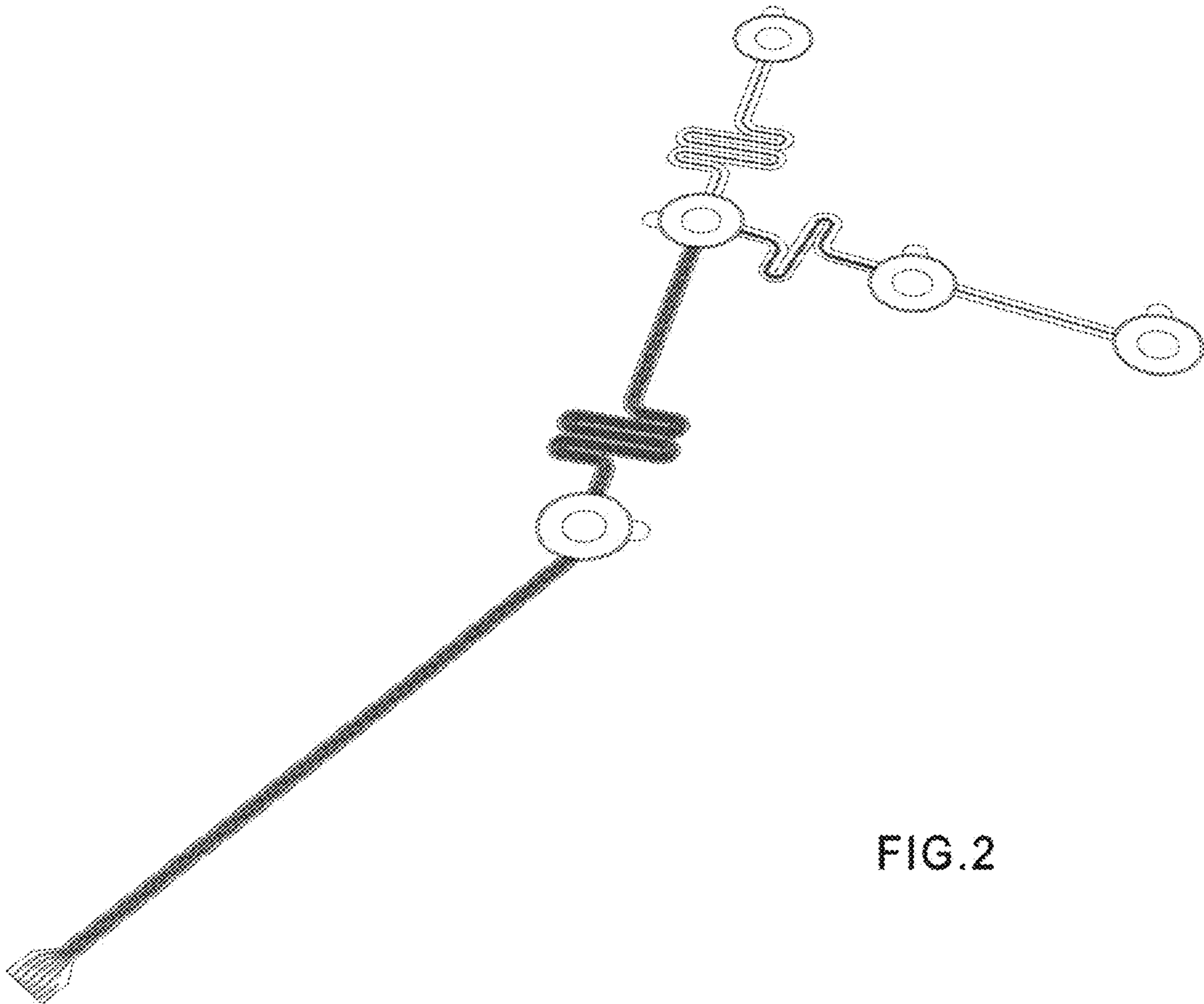


FIG. 2

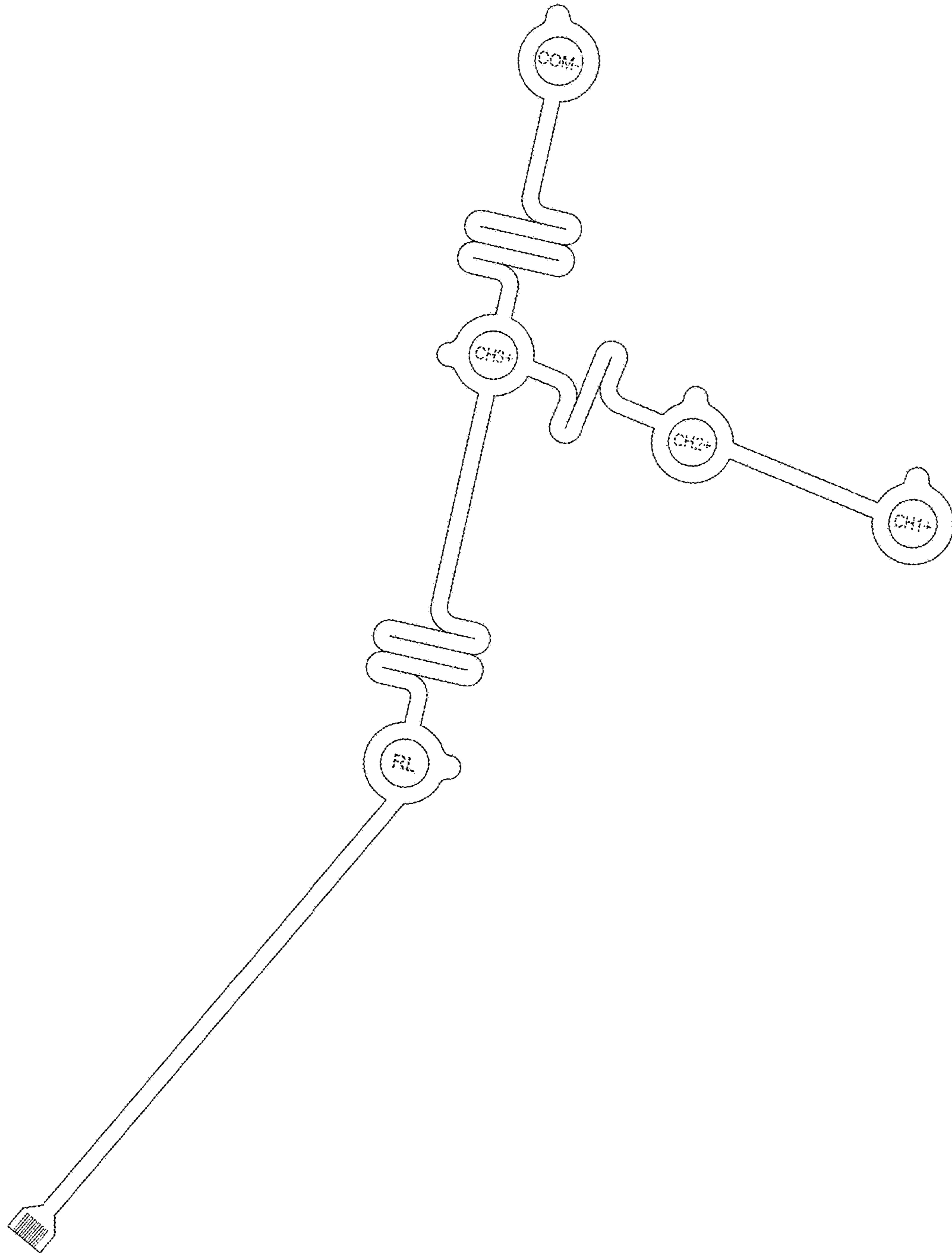


FIG. 3

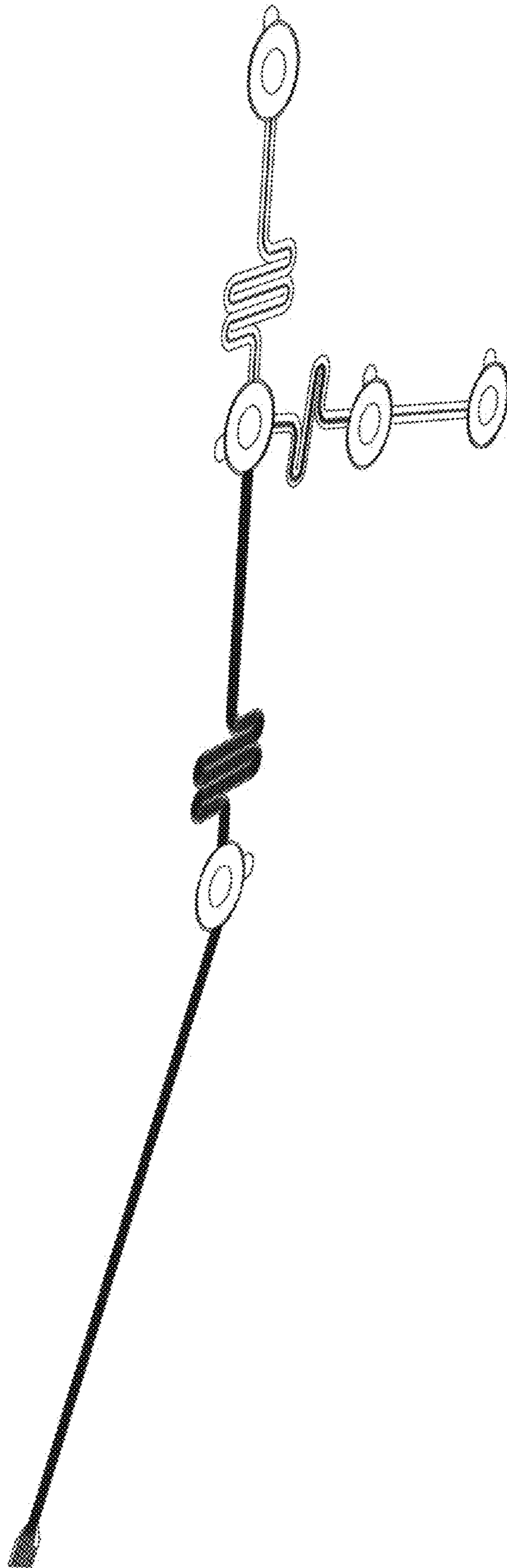


FIG.4

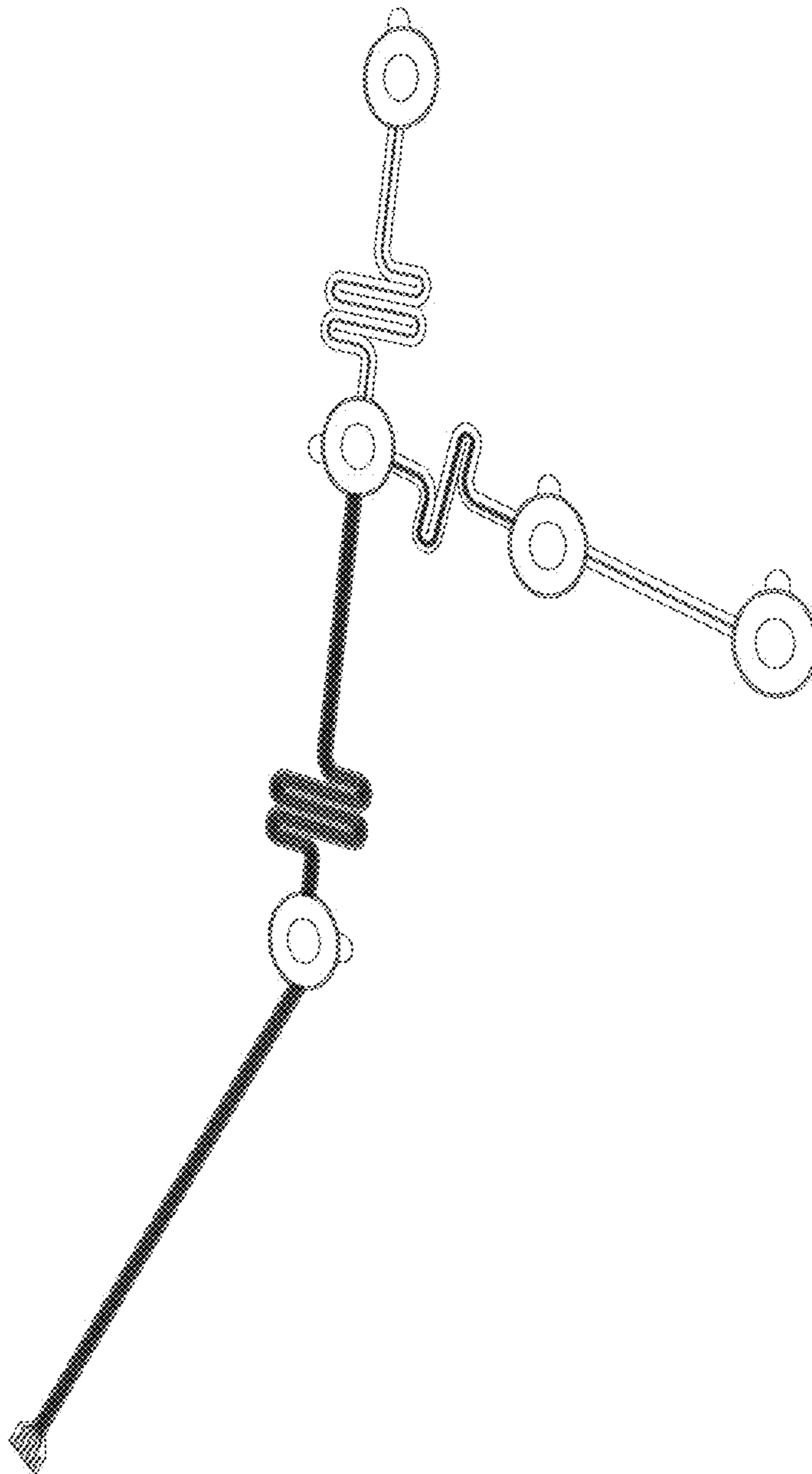


FIG. 5

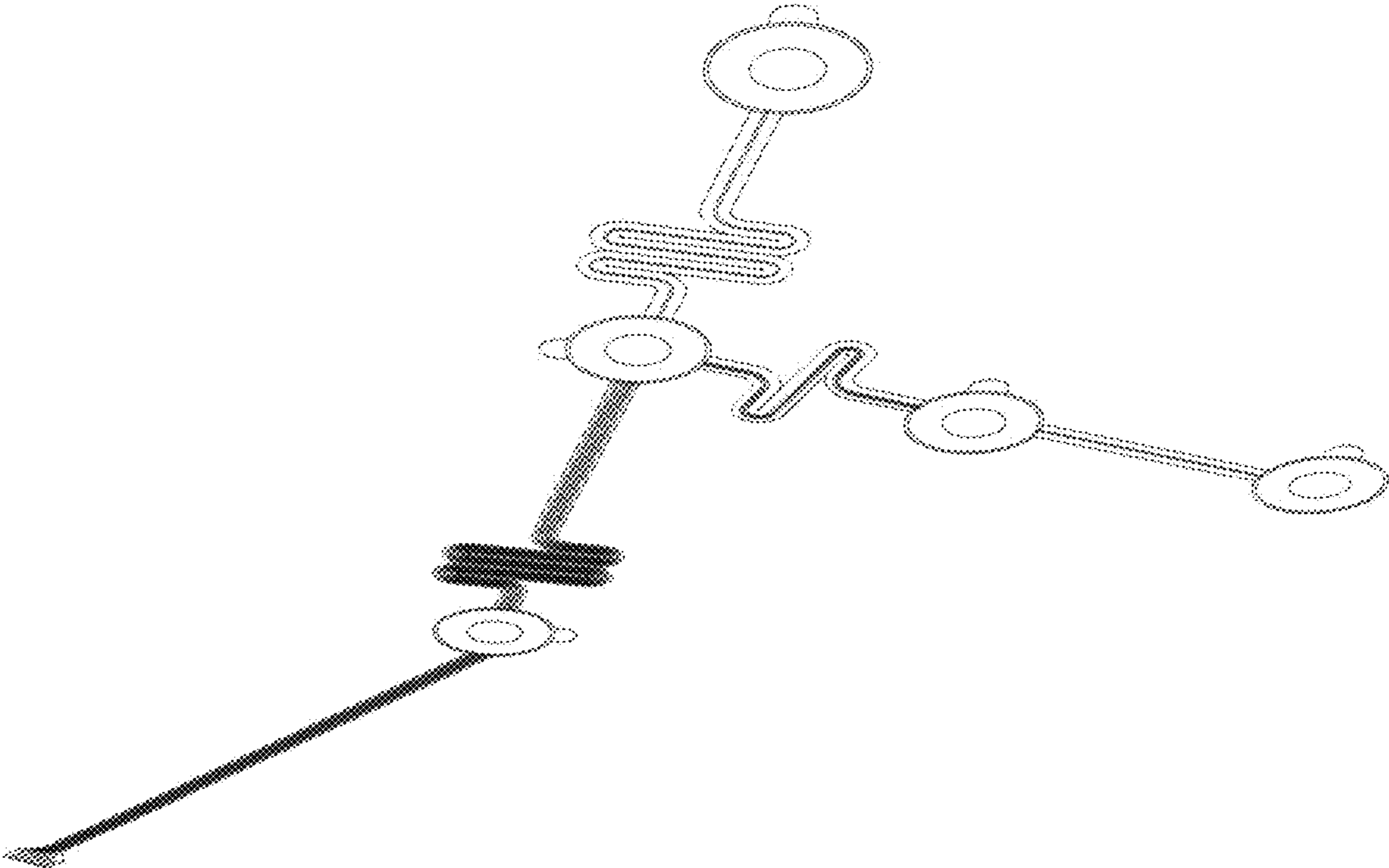


FIG. 6