



US00D794581S

(12) **United States Design Patent**
Lin

(10) **Patent No.:** **US D794,581 S**

(45) **Date of Patent:** **** Aug. 15, 2017**

(54) **CONTROLLER**

(71) Applicant: **TIMOTION TECHNOLOGY CO., LTD.**, New Taipei (TW)

(72) Inventor: **Yu-Chang Lin**, New Taipei (TW)

(73) Assignee: **TIMOTION TECHNOLOGY CO., LTD.**, New Taipei (TW)

(**) Term: **15 Years**

(21) Appl. No.: **29/577,162**

(22) Filed: **Sep. 9, 2016**

(51) **LOC (10) Cl.** **13-03**

(52) **U.S. Cl.**
USPC **D13/169**

(58) **Field of Classification Search**

USPC D13/158, 162, 169, 173, 174
CPC .. H01H 3/00; H01H 3/02; H01H 3/04; H01H 3/06; H01H 9/02; H01H 13/02; H01H 13/04; H01H 13/10; H01H 13/86; H01H 21/22; H01H 21/24; A47C 1/0345; A47C 1/035; A47B 21/02

See application file for complete search history.

(56) **References Cited**

U.S. PATENT DOCUMENTS

D373,113 S * 8/1996 Stringer D13/169
D511,752 S * 11/2005 Wong D13/174
7,067,751 B2 * 6/2006 Nishimura H01H 21/04
200/293
D652,390 S * 1/2012 Boehm D13/158
D733,078 S * 6/2015 Wu D13/171

D740,763 S * 10/2015 Wenji D13/162
D762,498 S * 8/2016 Hirsch D10/50
2011/0279284 A1 * 11/2011 Teng A61G 7/018
340/689
2013/0329407 A1 * 12/2013 Rapisarda H01R 4/2404
362/184
2014/0096706 A1 * 4/2014 Labrosse A47B 21/02
108/21
2017/0000255 A1 * 1/2017 Herring A47B 9/00

* cited by examiner

Primary Examiner — Selina Sikder

(74) *Attorney, Agent, or Firm* — Chun-Ming Shih; HDLS IPR Services

(57) **CLAIM**

The ornamental design for a controller, as shown and described.

DESCRIPTION

FIG. 1 is a perspective view of a controller showing my new design;

FIG. 2 is a front view thereof;

FIG. 3 is a rear view thereof;

FIG. 4 is a left side view thereof;

FIG. 5 is a right side view thereof;

FIG. 6 is a top view thereof;

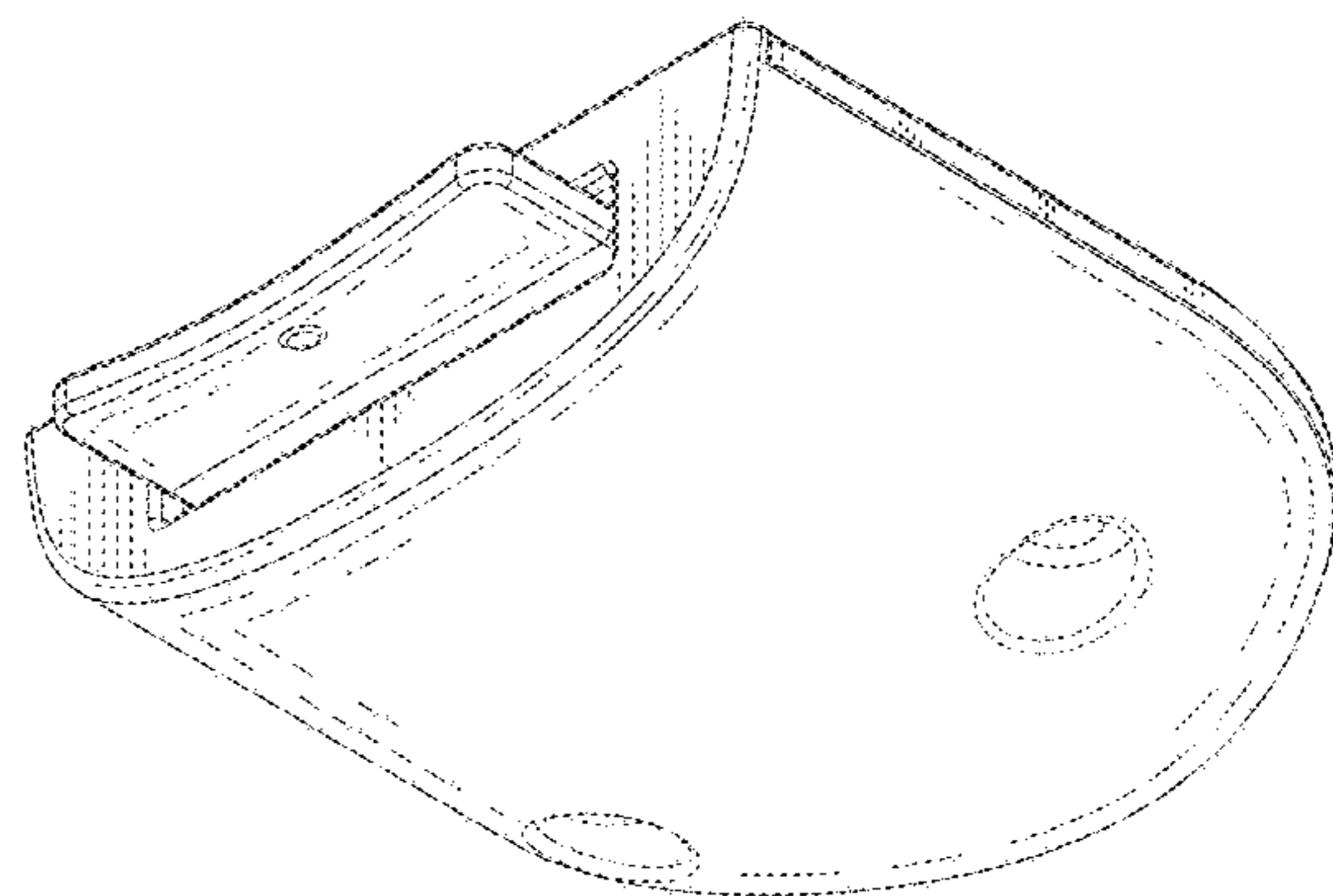
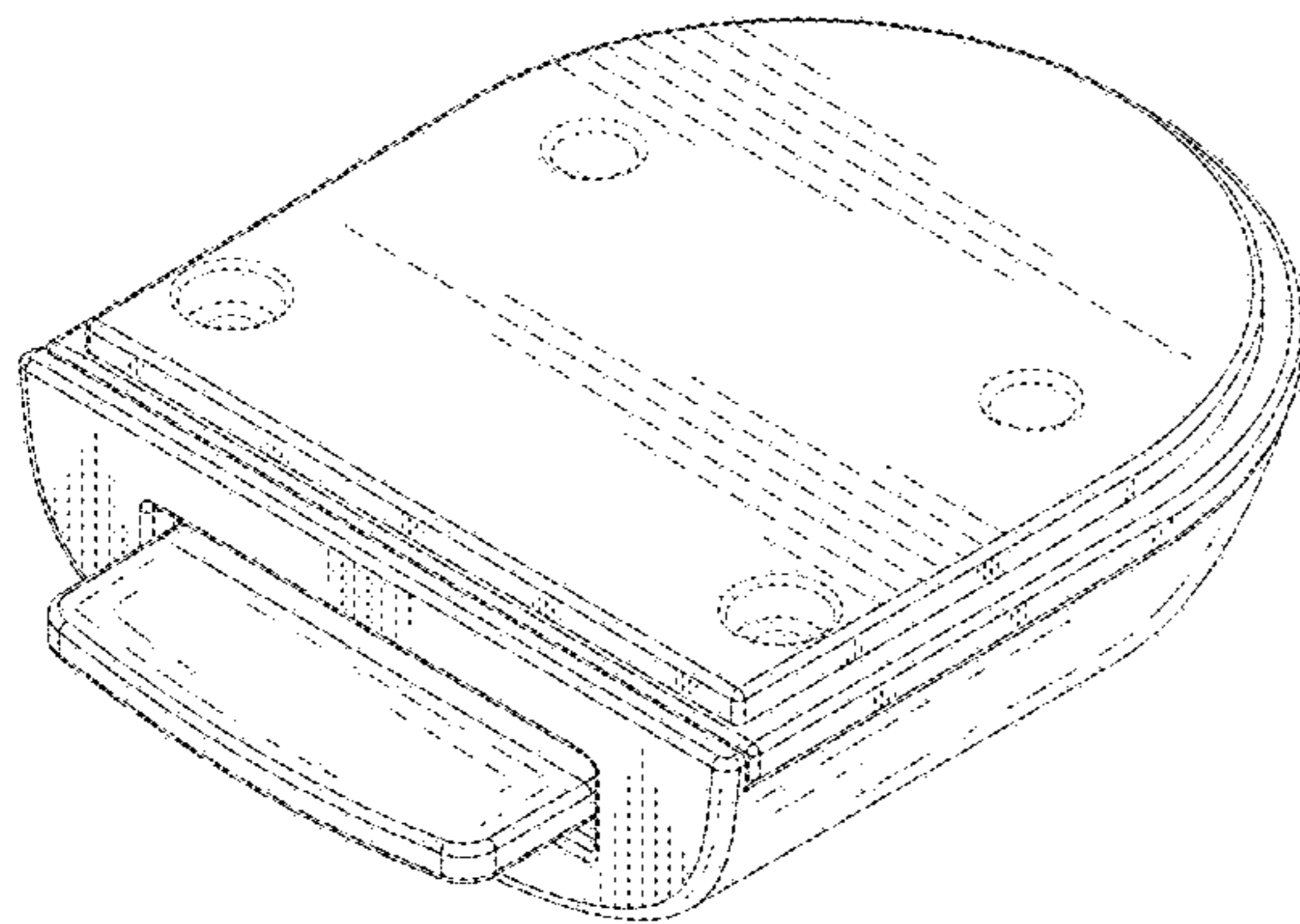
FIG. 7 is a bottom view thereof;

FIG. 8 is second perspective view thereof; and,

FIG. 9 is third perspective view showing the controller.

The broken lines shown represent unclaimed subject matter and form no part of the claimed design.

1 Claim, 9 Drawing Sheets



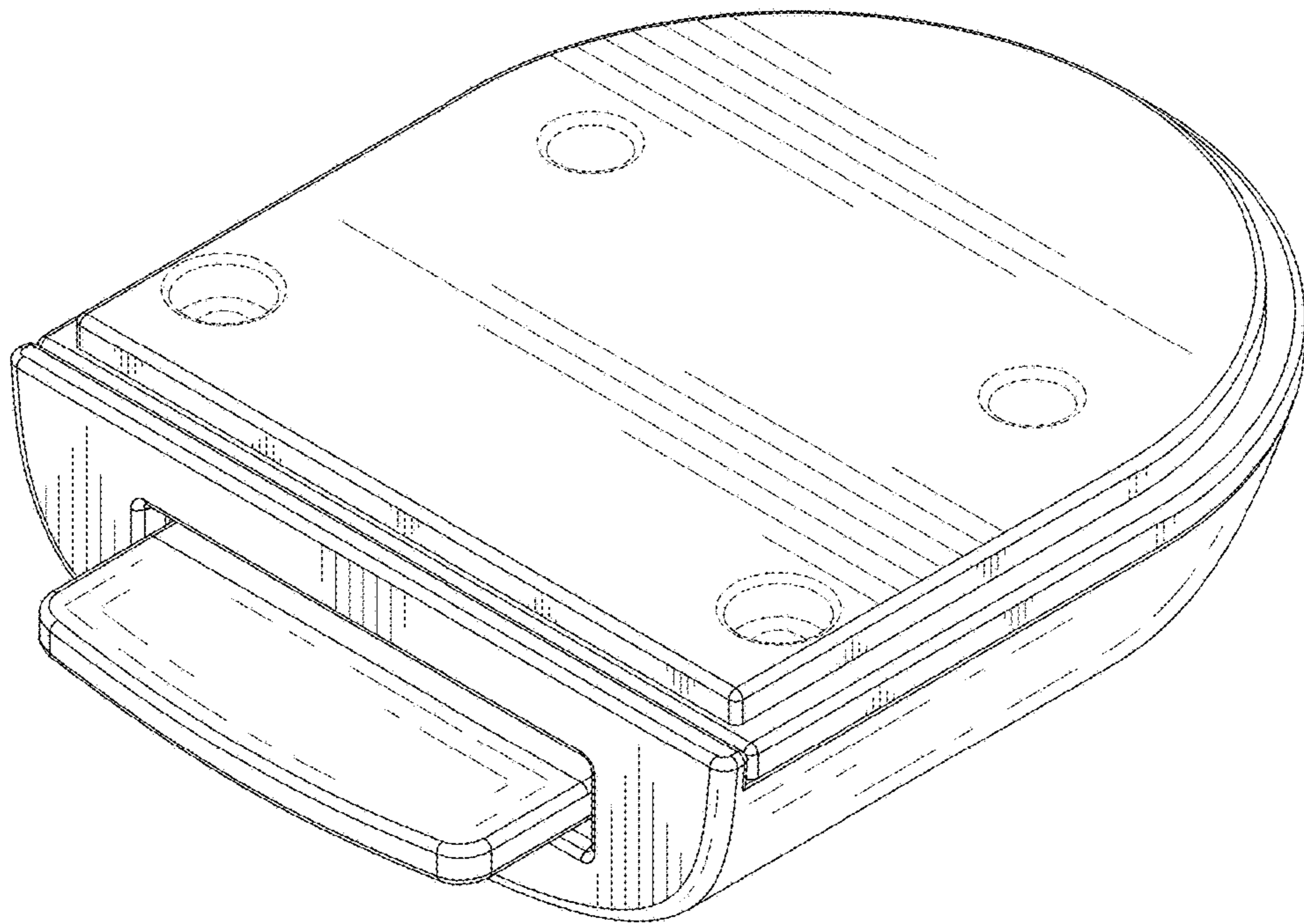


FIG.1

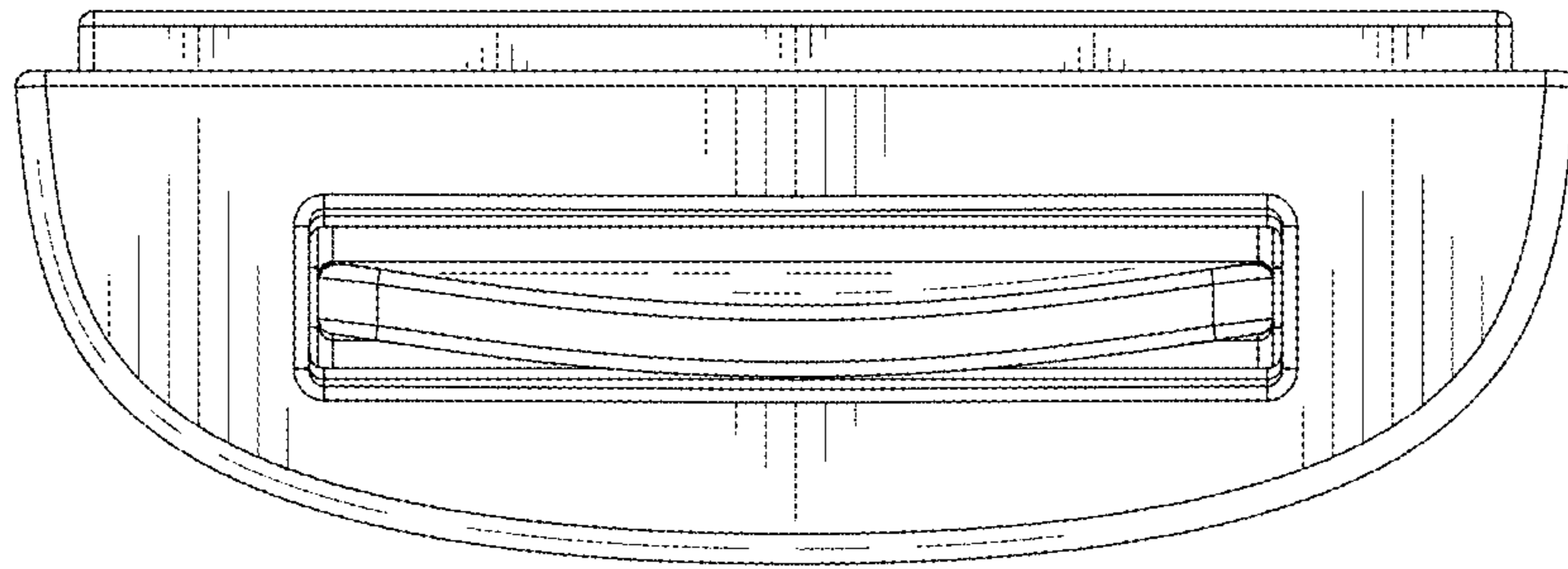


FIG.2

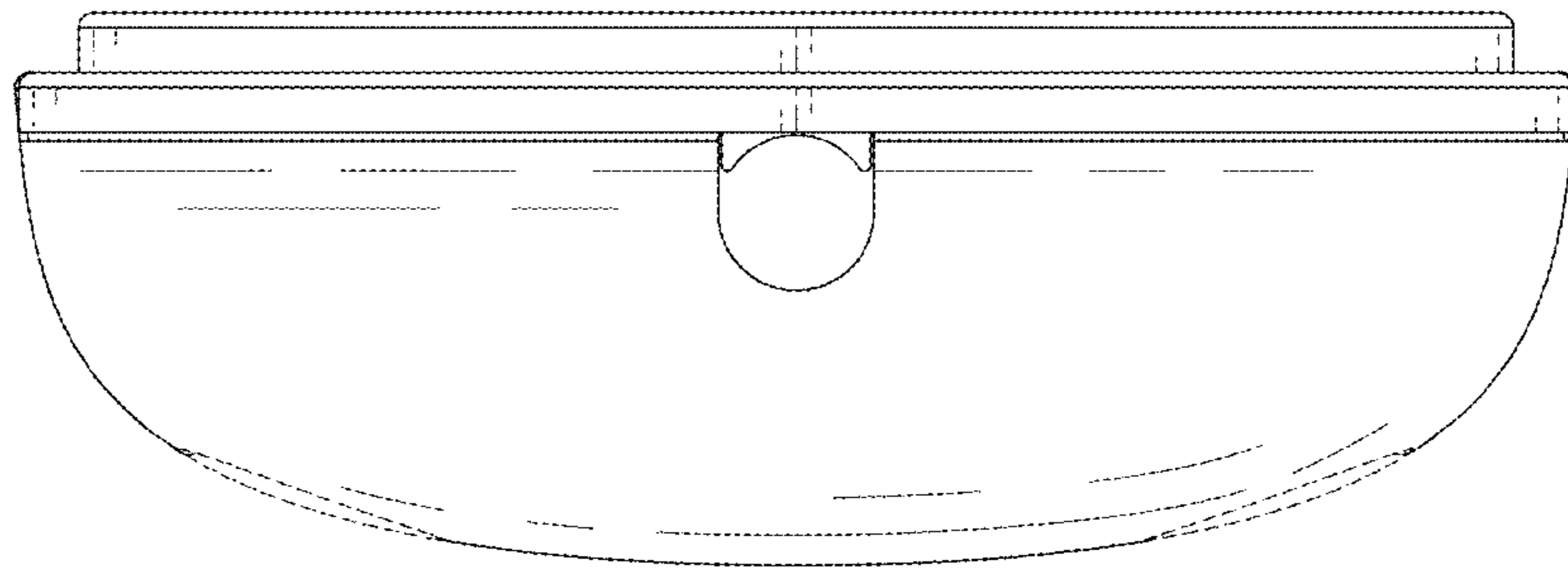


FIG.3

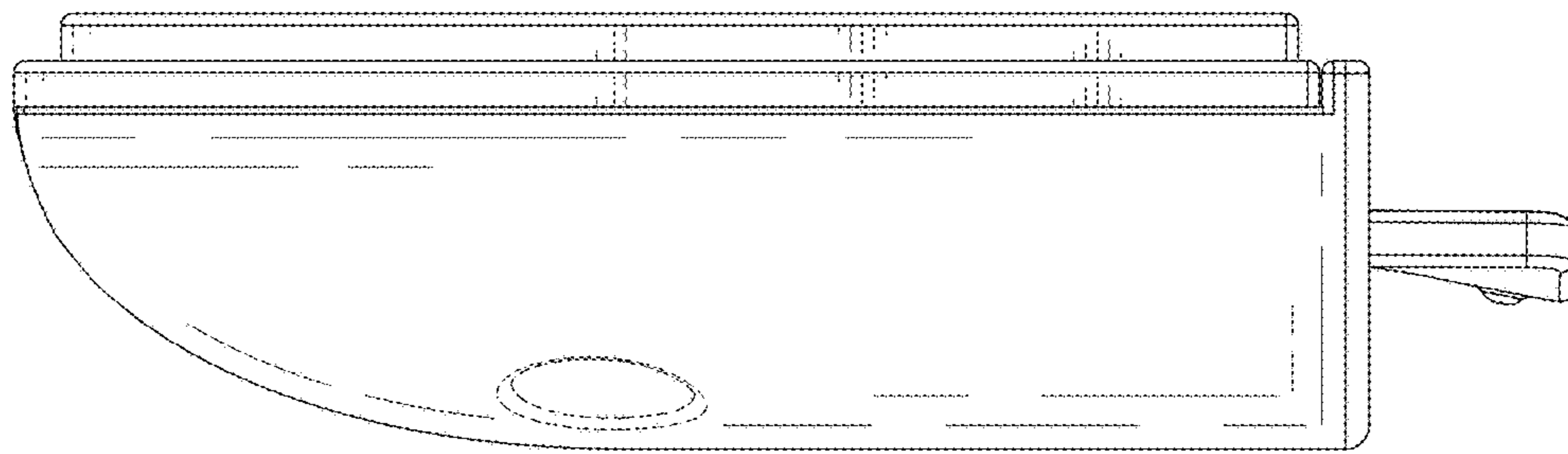


FIG.4

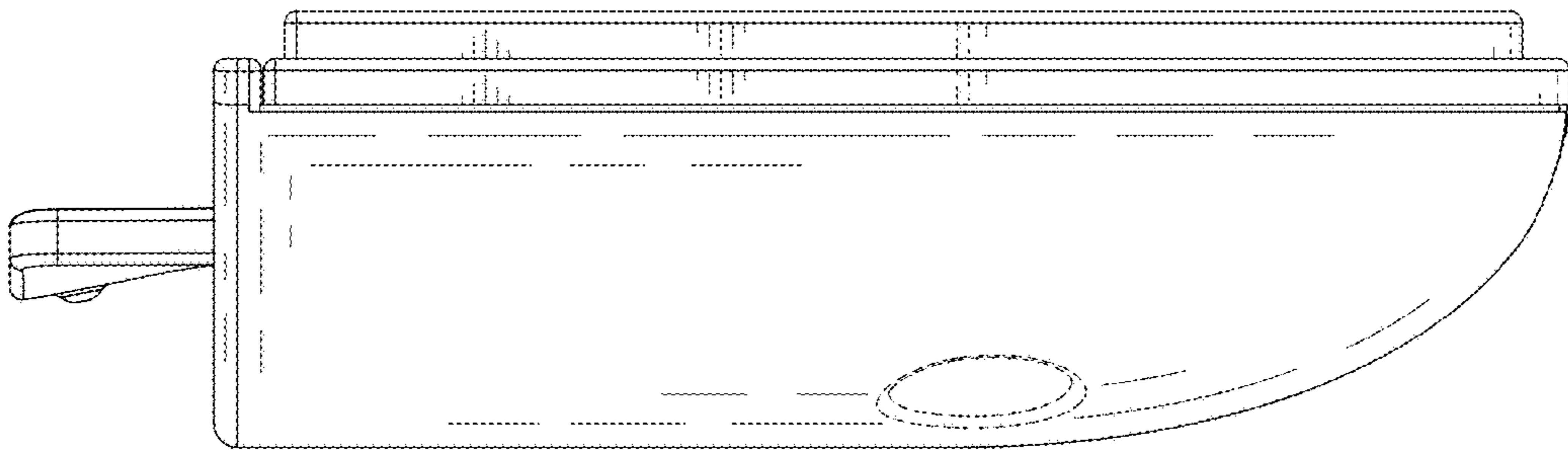


FIG.5

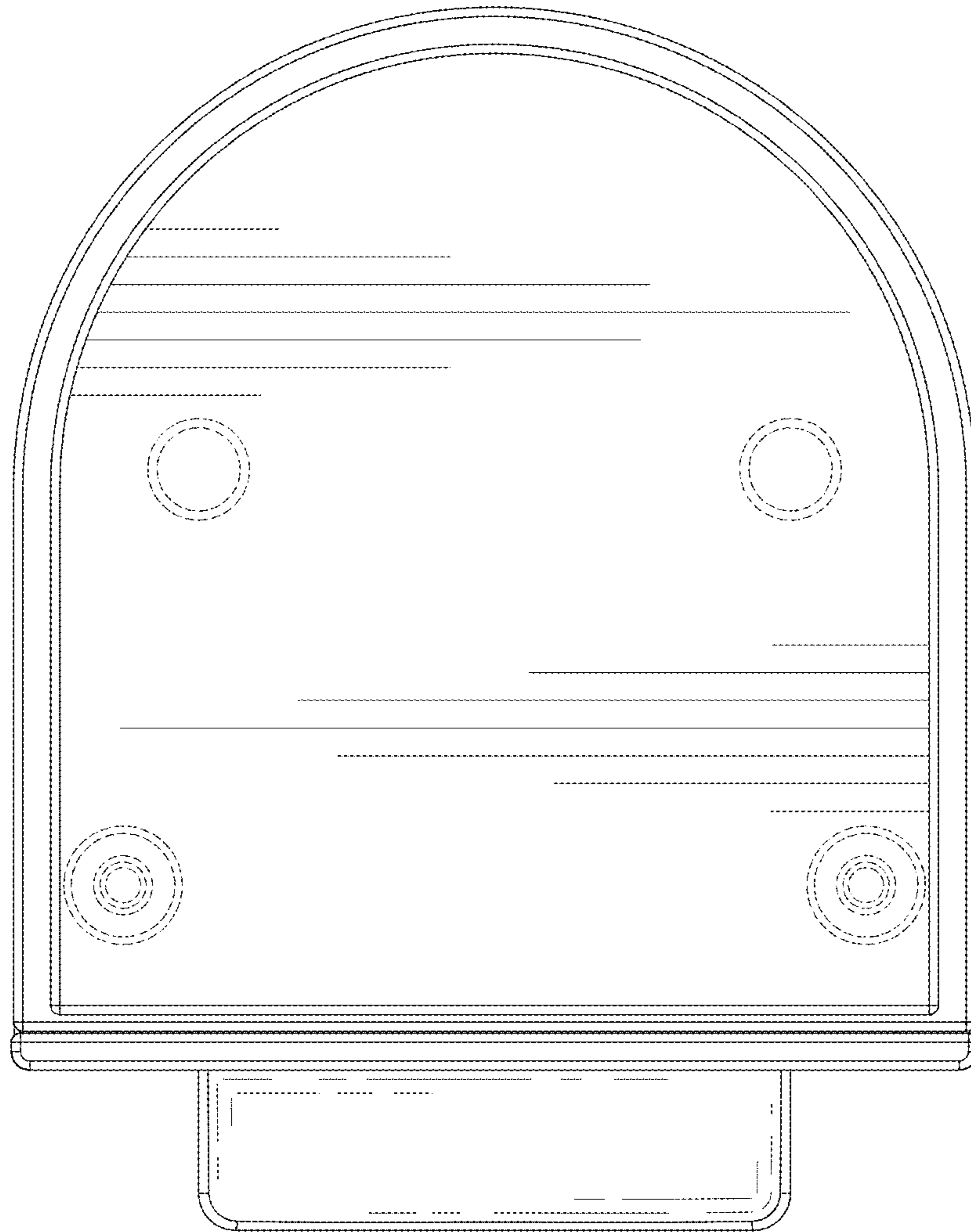


FIG.6

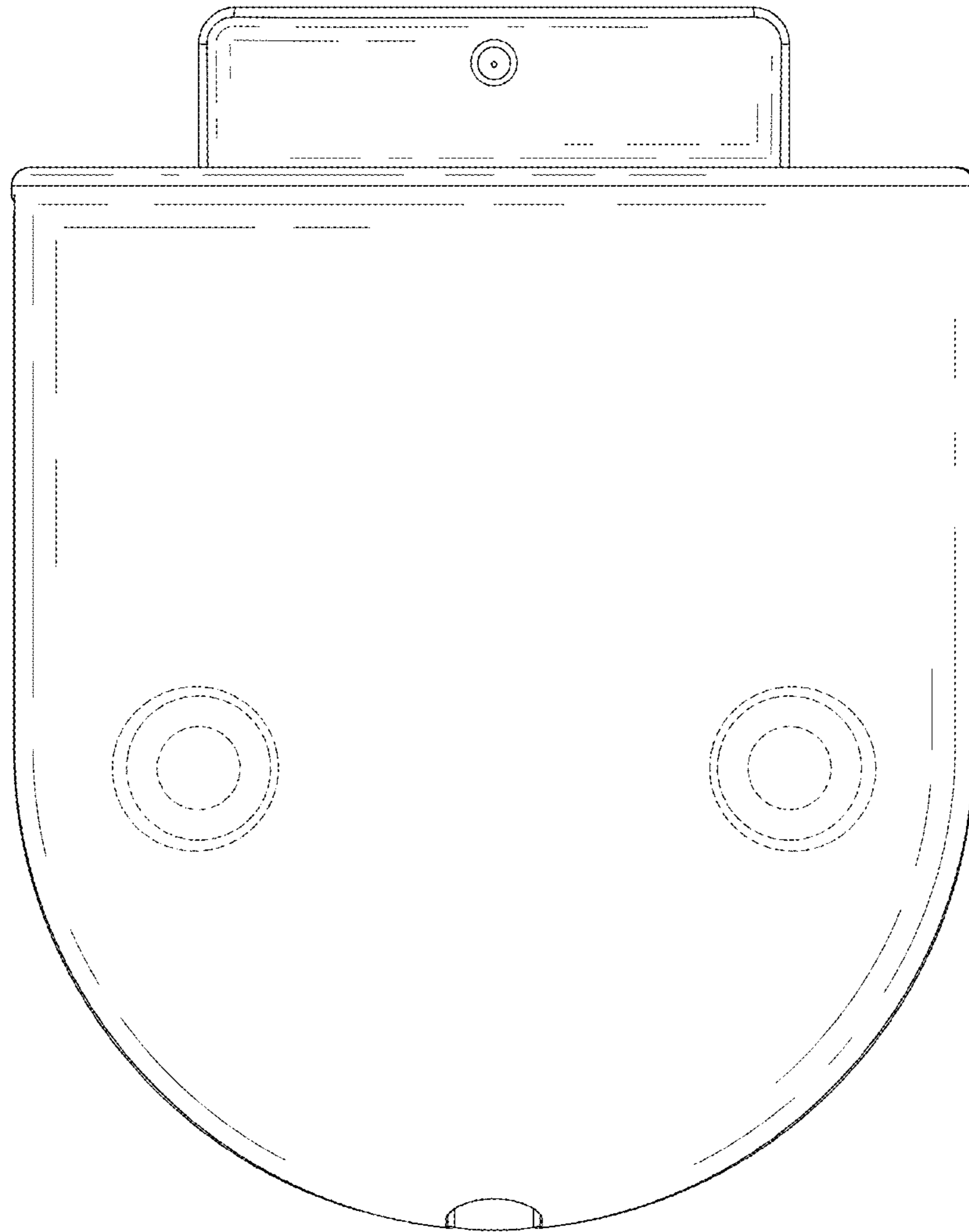


FIG.7

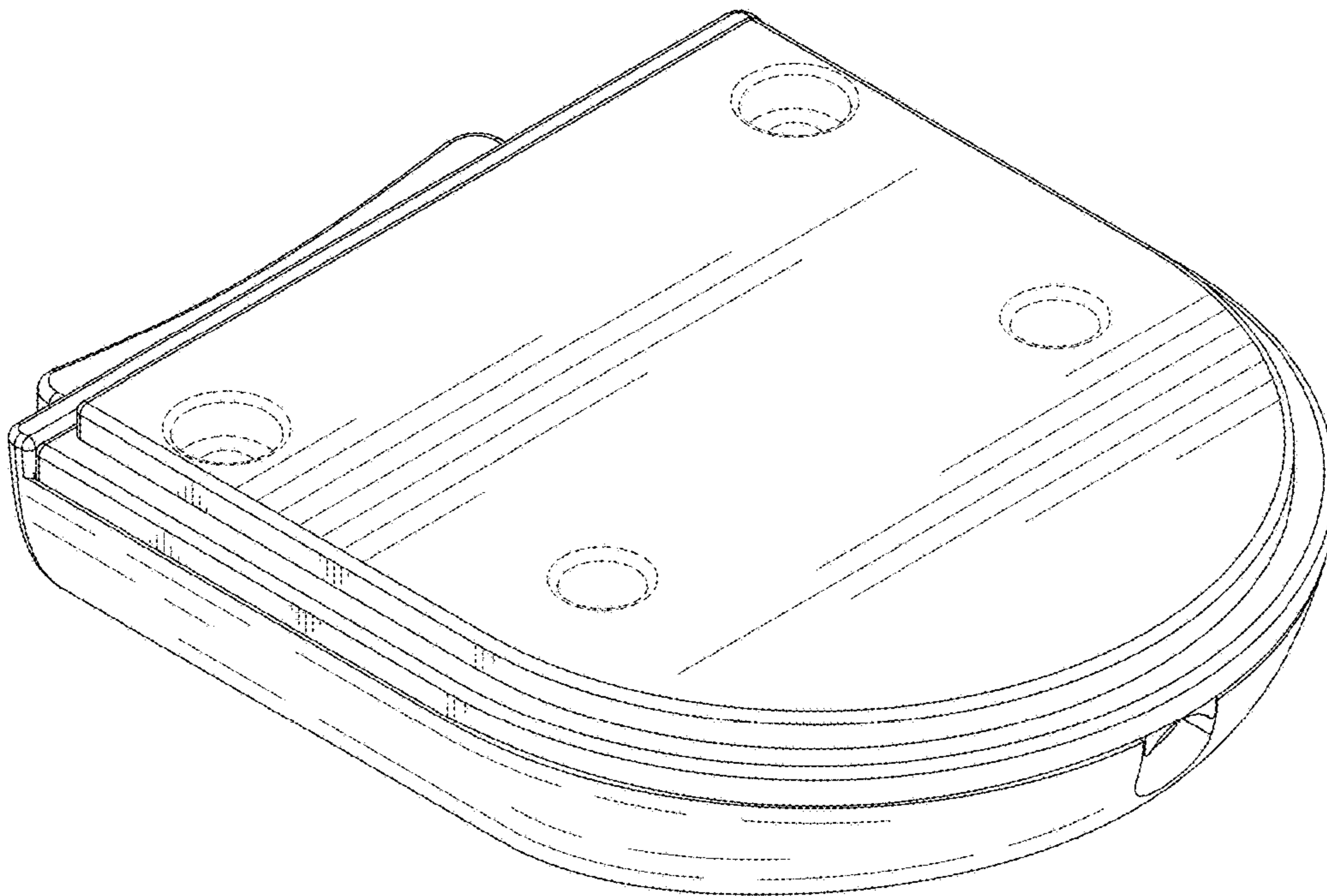


FIG.8

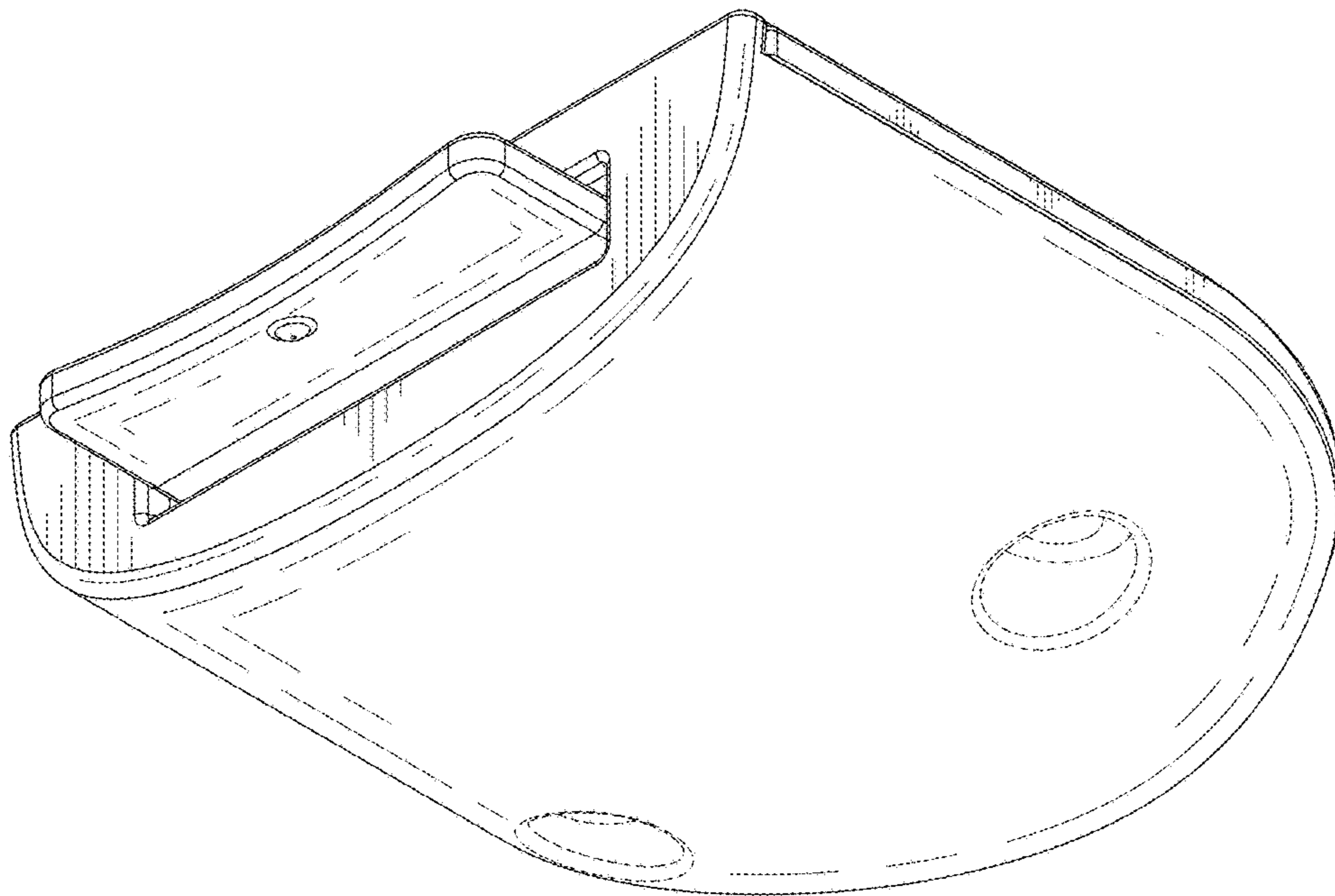


FIG.9