



US00D794580S

(12) **United States Design Patent** (10) **Patent No.:** **US D794,580 S**
Dimberg et al. (45) **Date of Patent:** **** Aug. 15, 2017**

(54) **TABLETOP REMOTE LOAD CONTROL DEVICE**

39/088; G08C 17/00; G08C 17/02; G08C 19/28; G08C 23/02; G08C 23/04

See application file for complete search history.

(71) Applicant: **Lutron Electronics Co., Inc.**,
Coopersburg, PA (US)

(56) **References Cited**

U.S. PATENT DOCUMENTS

(72) Inventors: **Chris Dimberg**, Easton, PA (US);
Elliot G. Jacoby, Glenside, PA (US);
Jason C. Killo, Emmaus, PA (US);
Brad M. Kreschollek, Bethlehem, PA
(US); **Matthew P. McDonald**,
Phoenixville, PA (US)

4,199,883	A *	4/1980	Cross	A47G 1/141 40/735
D259,184	S *	5/1981	Francis	D10/15
4,496,127	A *	1/1985	Nelson	A47B 19/10 211/43
D278,109	S *	3/1985	Leeds	D19/91
D329,609	S *	9/1992	Wolff	D10/15
D348,481	S *	7/1994	Grant	D19/21
D367,647	S *	3/1996	Faggard	D14/387
D370,355	S *	6/1996	Kenney	D6/310
5,876,106	A	3/1999	Kordecki	
D416,284	S *	11/1999	O'Malley	D19/20
6,120,262	A	9/2000	McDonough et al.	
D440,542	S *	4/2001	Hawkins	D14/346
D496,335	S	9/2004	Spira	

(73) Assignee: **Lutron Electronics Co., Inc.**,
Coopersburg, PA (US)

(**) Term: **15 Years**

(Continued)

(21) Appl. No.: **29/575,106**

Primary Examiner — Selina Sikder

(22) Filed: **Aug. 22, 2016**

(74) *Attorney, Agent, or Firm* — Mark E. Rose; Philip N. Smith; Glen R. Farbanish

Related U.S. Application Data

(62) Division of application No. 29/512,028, filed on Dec. 16, 2014, now Pat. No. Des. 767,508.

(51) **LOC (10) Cl.** **14-03**

(52) **U.S. Cl.**
USPC **D13/168**

(58) **Field of Classification Search**
USPC D13/164, 168; D10/104.12, 106.1;
D14/218
CPC H03J 1/0025; H03J 9/00; H03J 9/02; H03J 9/04; H03J 9/06; H01H 2009/187; H01H 9/02; H01H 9/0214; H01H 9/0242; H01H 9/18; H05B 37/02; H05B 37/0272; H05B

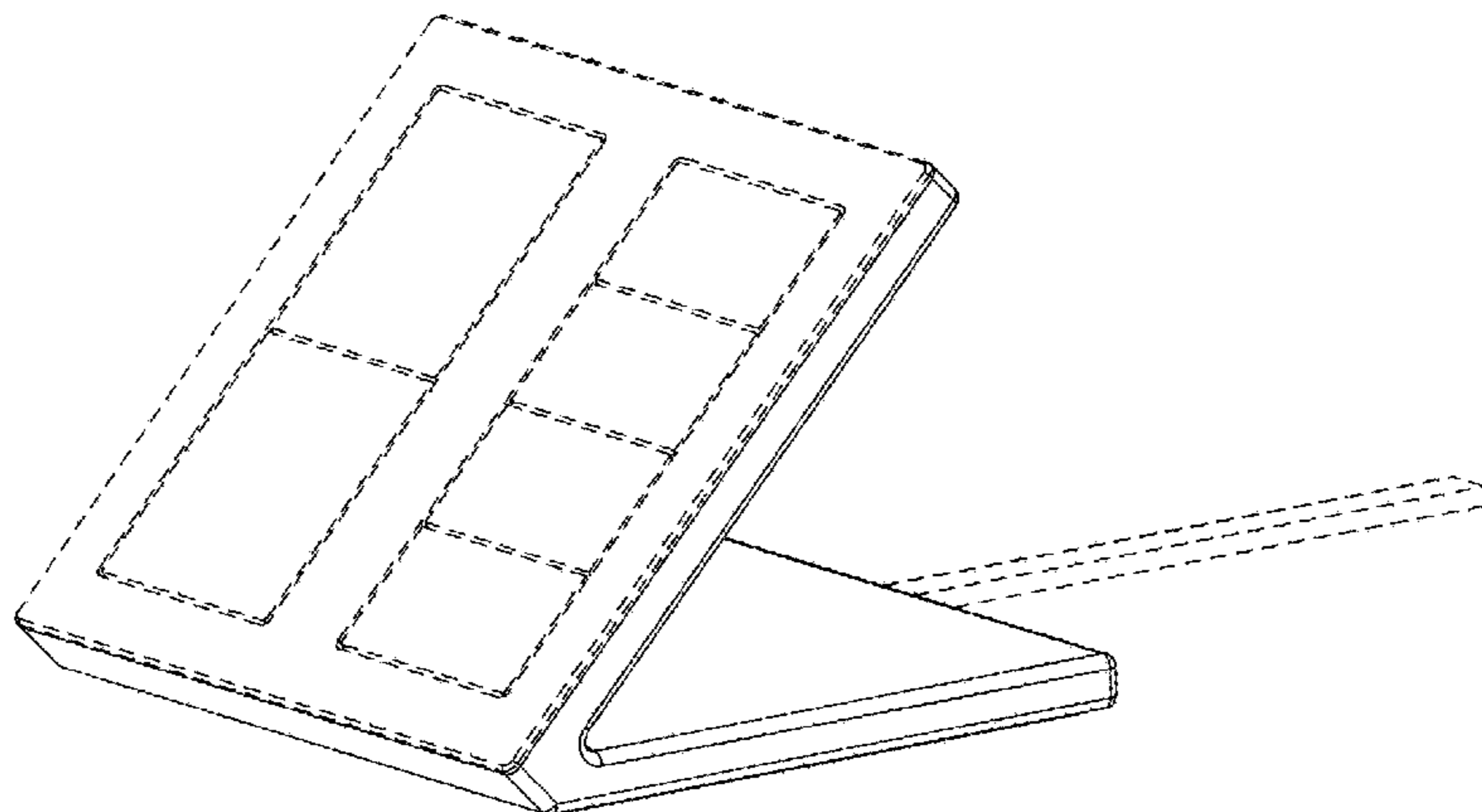
(57) **CLAIM**

We claim the ornamental design for a tabletop remote load control device, as shown and described.

DESCRIPTION

FIG. 1 is a perspective view of a tabletop remote load control device according to our new design.
FIG. 2 is a top view thereof.
FIG. 3 is a left side view thereof.
FIG. 4 is a right side view thereof.
FIG. 5 is a front view thereof; and,
FIG. 6 is a rear view thereof.
The bottom view as shown forms no part of the design and is omitted.

(Continued)



The broken lines showing portions of the tabletop remote load control device are for the purpose of illustrating environmental structure and form no part of the claimed design.

1 Claim, 4 Drawing Sheets

(56)

References Cited

U.S. PATENT DOCUMENTS

D511,110 S * 11/2005 Rodela D10/40
D537,046 S 2/2007 Blair et al.
7,312,695 B2 12/2007 Lehmer et al.
D559,559 S * 1/2008 Butcher D6/309
D576,564 S 9/2008 Hewson et al.
D626,092 S 10/2010 Clymer et al.
D627,307 S 11/2010 Petrillo et al.
D631,855 S 2/2011 Blair et al.

D633,874 S 3/2011 Feldstein et al.
D636,739 S 4/2011 Petrillo et al.
D647,066 S 10/2011 Jacoby et al.
D649,123 S 11/2011 Jacoby et al.
D658,594 S 5/2012 Felegy et al.
D661,266 S * 6/2012 Laube D14/126
D666,619 S * 9/2012 May D14/447
D669,038 S 10/2012 Felegy, Jr. et al.
8,469,204 B1 6/2013 Bradshaw
D694,197 S 11/2013 Felegy, Jr. et al.
D704,151 S 5/2014 Jacoby et al.
D712,867 S * 9/2014 Vats D14/138 AB
D718,724 S 12/2014 Clymer et al.
D733,667 S 7/2015 Jacoby et al.
D749,564 S * 2/2016 Cho D14/341
D760,214 S * 6/2016 Kemper D14/253
D767,508 S * 9/2016 Dimberg D13/168
2002/0135974 A1 * 9/2002 Bell A47G 1/142
361/679.41
2012/0013450 A1 1/2012 Lee et al.

* cited by examiner

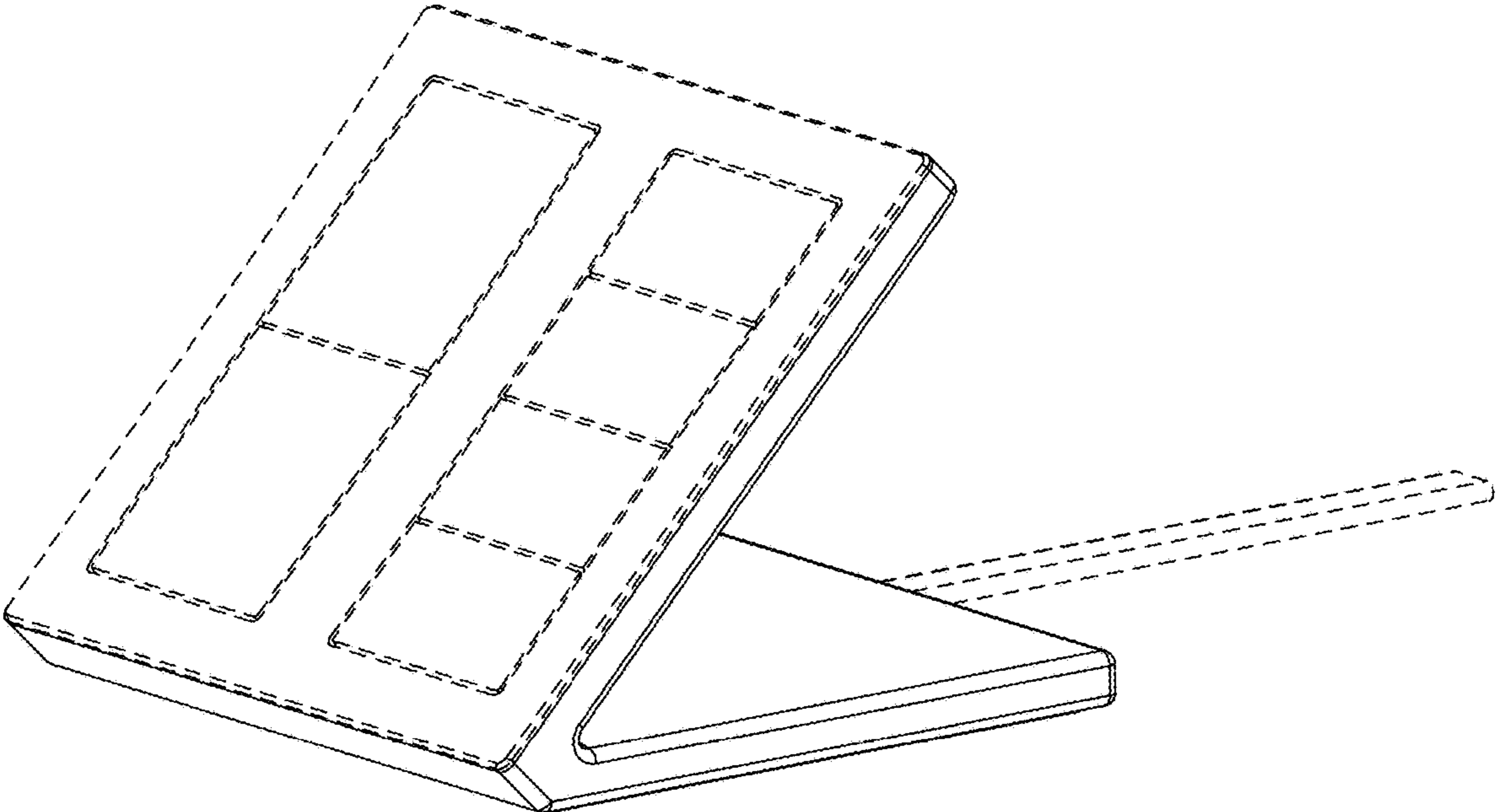


Fig. 1

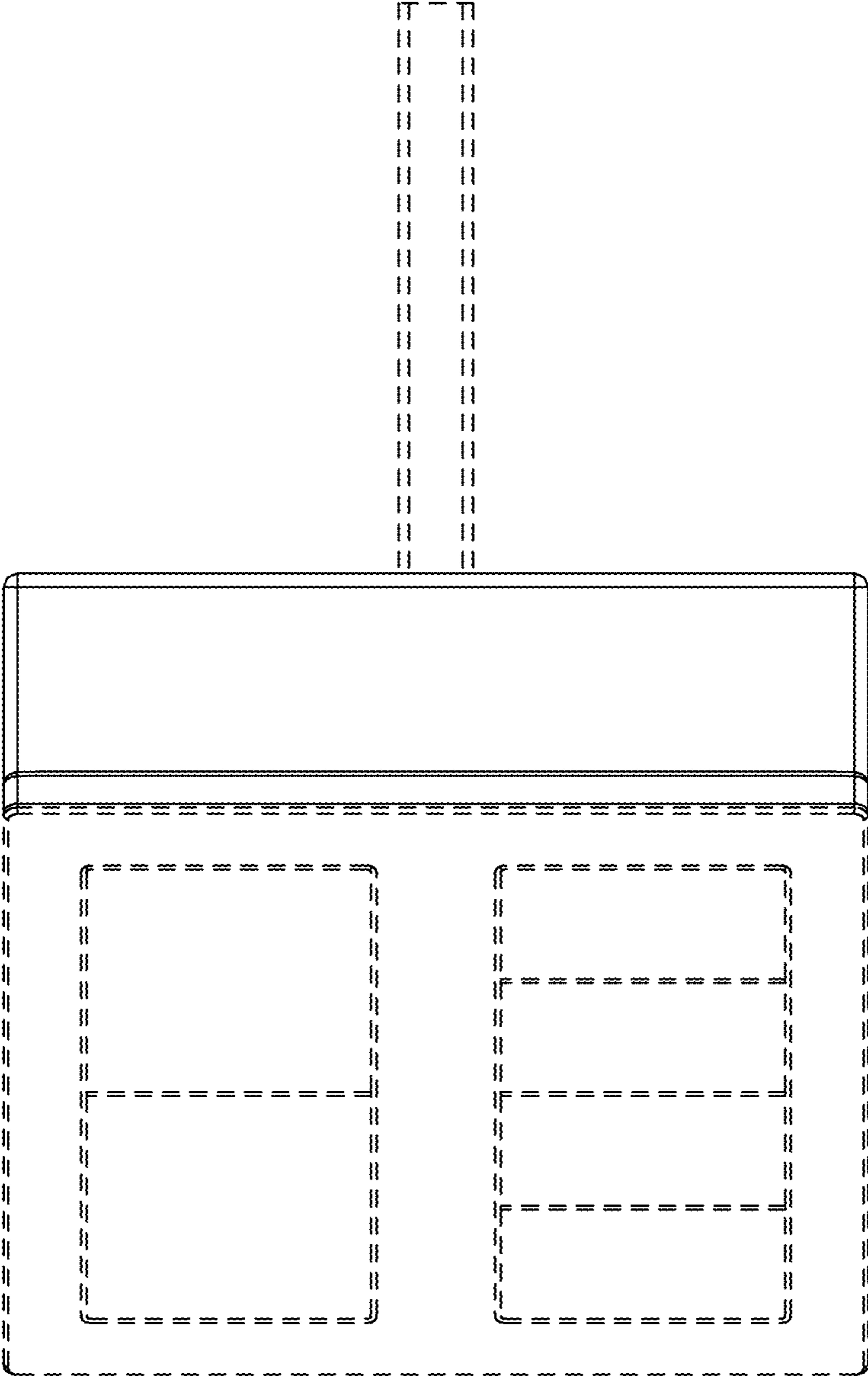


Fig. 2

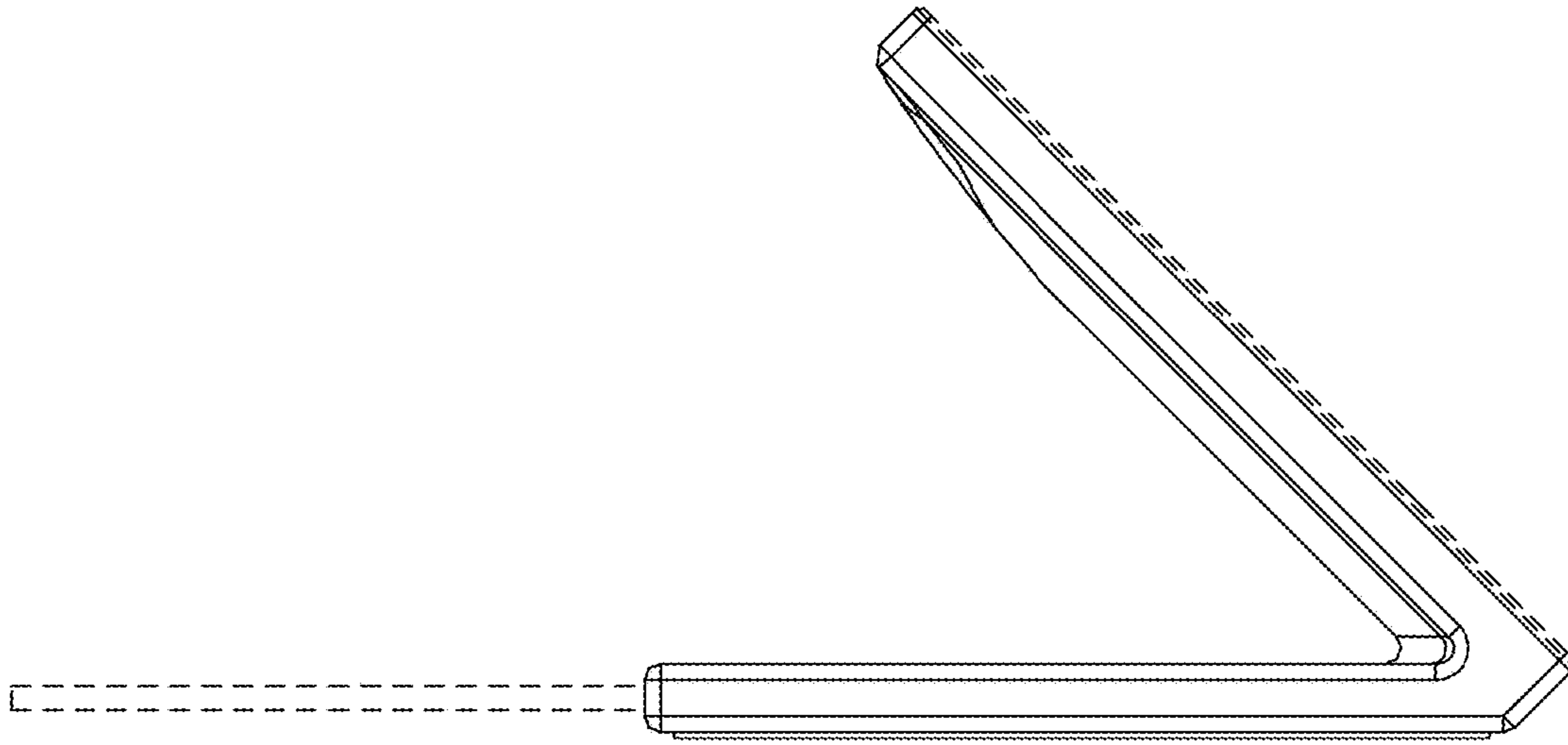


Fig. 3

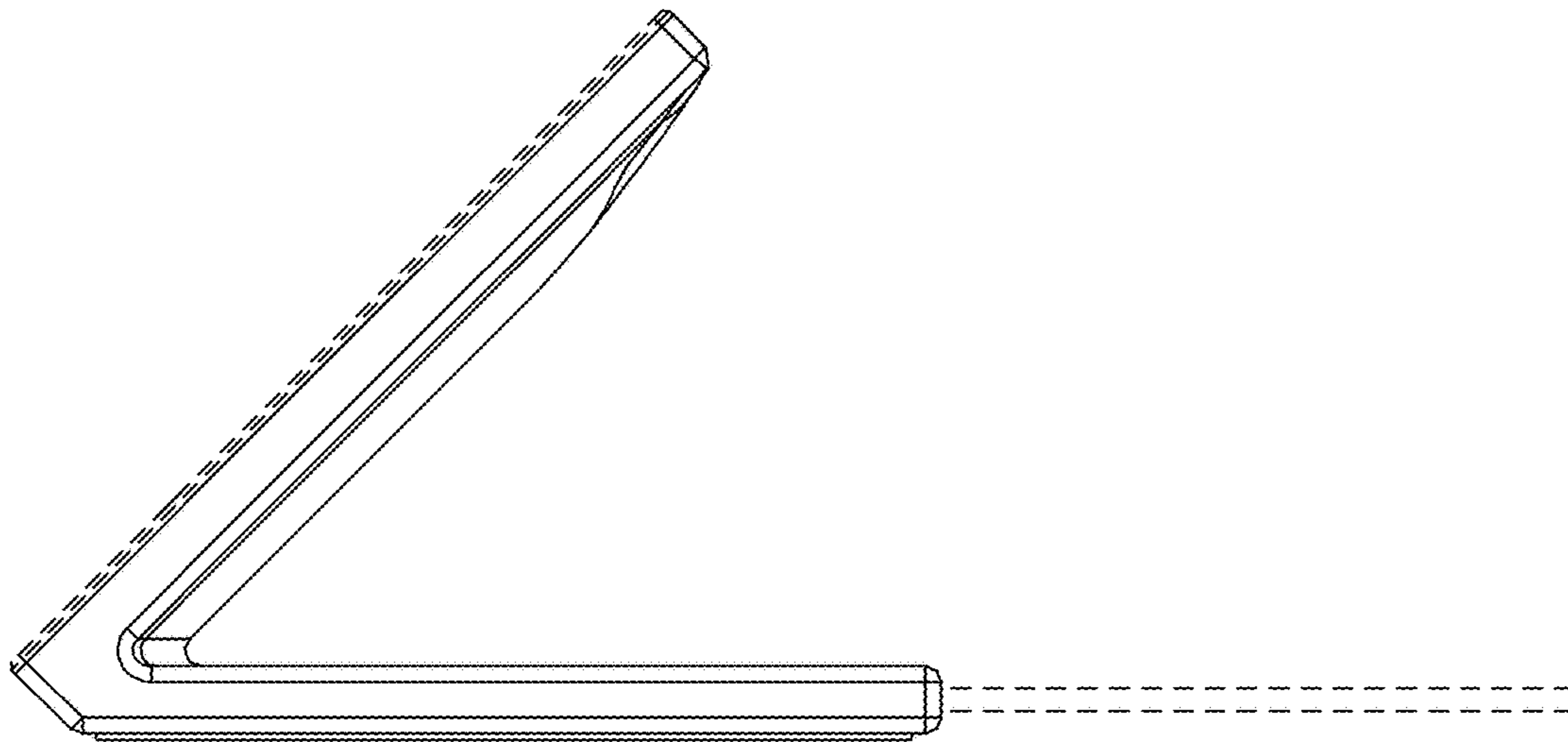


Fig. 4

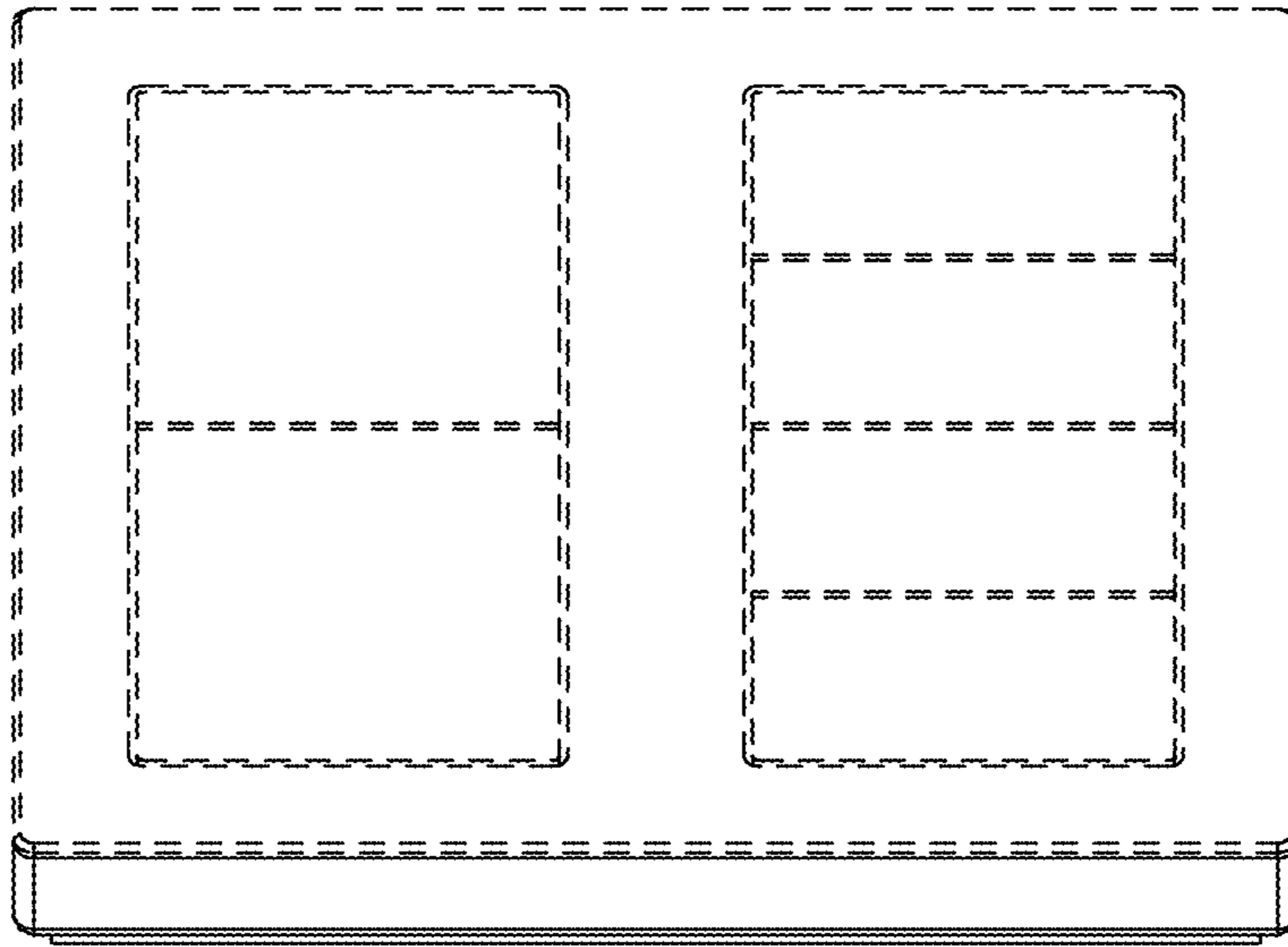


Fig. 5

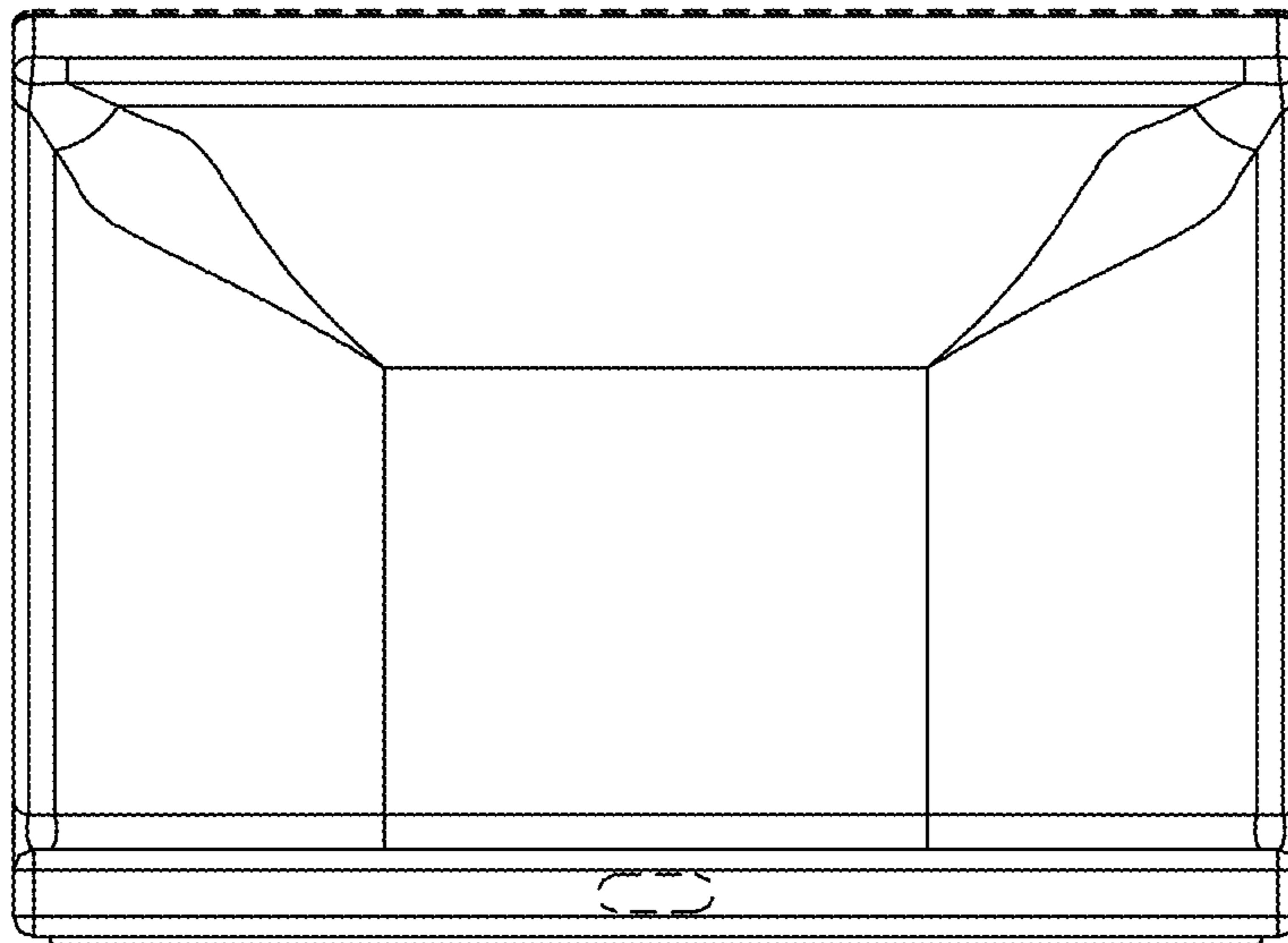


Fig. 6