



US00D794576S

(12) **United States Design Patent** (10) **Patent No.:** **US D794,576 S**
Hall (45) **Date of Patent:** **** Aug. 15, 2017**

(54) **SOLID STATE RELAY**
(71) Applicant: **LAMAR TECHNOLOGIES, LLC**,
Marysville, WA (US)
(72) Inventor: **Roger Hall**, Marysville, WA (US)
(73) Assignee: **Lamar Technologies, LLC**, Marysville,
WA (US)

(**) Term: **15 Years**

(21) Appl. No.: **29/554,903**

(22) Filed: **Feb. 16, 2016**

(51) **LOC (10) Cl.** **13-03**

(52) **U.S. Cl.**
USPC **D13/159**

(58) **Field of Classification Search**
USPC D13/100, 101, 103, 110, 118, 123-126,
D13/152, 154, 156, 158, 159, 160, 173,
D13/184, 199; D15/5
CPC H03K 17/00; H03K 17/13; H03K 17/68;
H03K 17/78; H02H 7/08; H02H 3/093;
H02H 3/00; H01H 47/00; H01H 9/00;
H01H 9/02; H01H 50/00; H01H 50/02;
H01H 50/54; H01H 51/06; H01H 51/22;
H01H 67/02; H01H 57/00; B60L 1/00;
H01R 12/00; H01R 13/00; H01R 13/66;
H01R 13/70; H01R 25/00

See application file for complete search history.

(56) **References Cited**

U.S. PATENT DOCUMENTS

D203,993 S *	3/1966	Late et al.	D13/124
D305,531 S *	1/1990	Suzuki	D13/126
D330,007 S *	10/1992	Francis	D13/126
D332,942 S *	2/1993	Julien	D12/163
D341,353 S *	11/1993	O	D13/152
D432,987 S *	10/2000	Seo	D13/123
D446,183 S *	8/2001	Miyashita	D13/103

D511,749 S *	11/2005	Macuch	D13/158
D646,632 S *	10/2011	Hogen	D13/110
D656,903 S *	4/2012	Suzuki	D13/159
D657,748 S *	4/2012	Hargreaves	D13/156
D697,033 S *	1/2014	Hashimoto	D13/159
D778,833 S *	2/2017	Li	D13/110
2014/0301003 A1 *	10/2014	Jankowski	H01L 31/02021 361/57
2015/0372430 A1 *	12/2015	Foster	H03K 17/78 307/117

OTHER PUBLICATIONS

Lamar Technologies LLC, dated Dec. 7, 2014, [online], [site visited Mar. 29, 2017]. Available from Internet, <URL: <http://www.qualityaircraftaccessories.com/manufacturers-brands/lamar-technologies-llc>>.*

* cited by examiner

Primary Examiner — Thomas Johannes
Assistant Examiner — Shawn T Gingrich
(74) *Attorney, Agent, or Firm* — Schwabe Williamson & Wyatt, P.C.

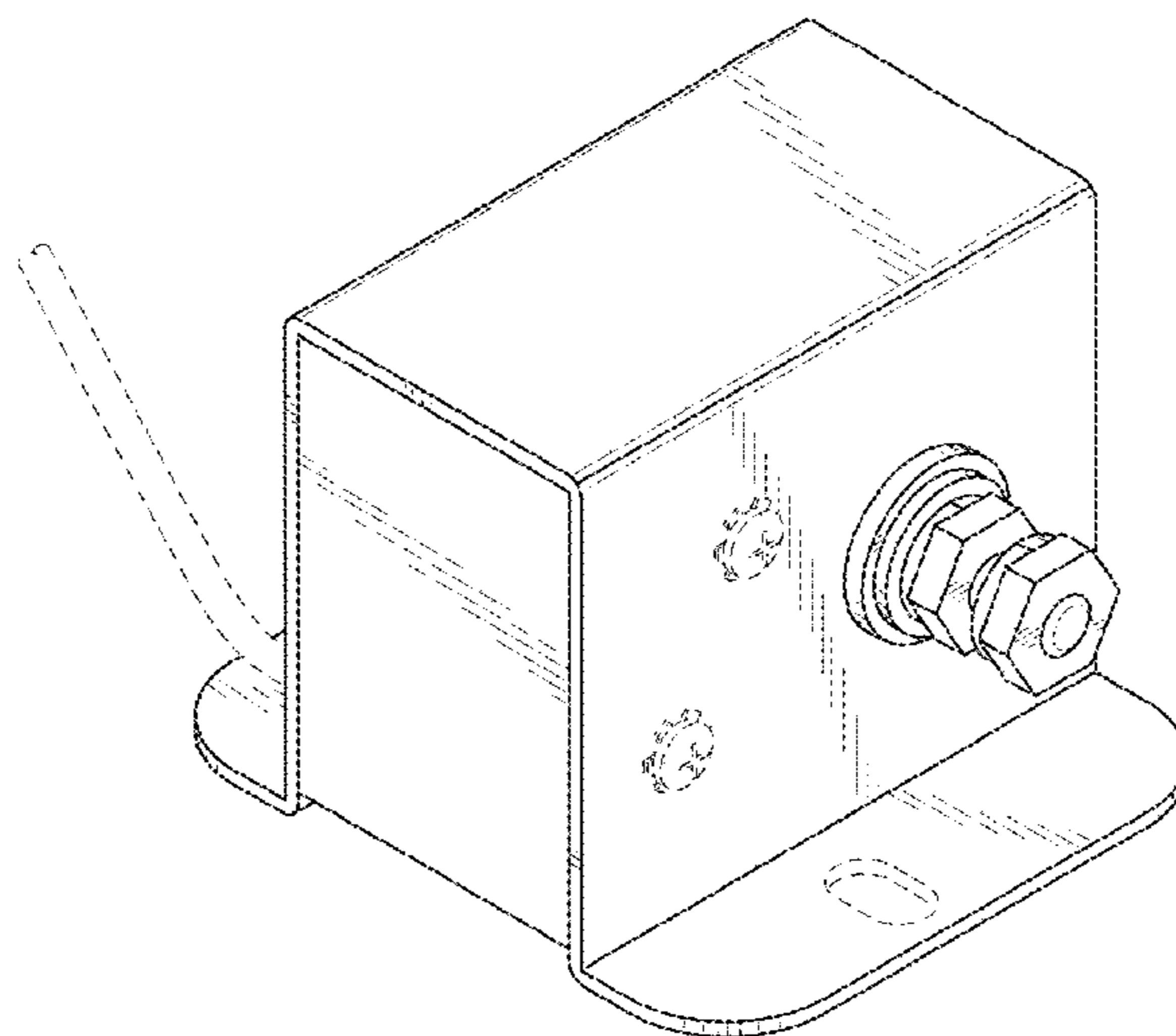
(57) **CLAIM**

I claim the ornamental design for a solid state relay, as shown and described.

DESCRIPTION

FIG. 1 is a front perspective view of a solid state relay, showing my new design;
FIG. 2 is a left side view thereof;
FIG. 3 is a right side view thereof;
FIG. 4 is a back view thereof;
FIG. 5 is a front view thereof;
FIG. 6 is a top view thereof; and,
FIG. 7 is a bottom view thereof.
The broken lines are included for illustrating environmental structure and form no part of the claimed design.

1 Claim, 4 Drawing Sheets



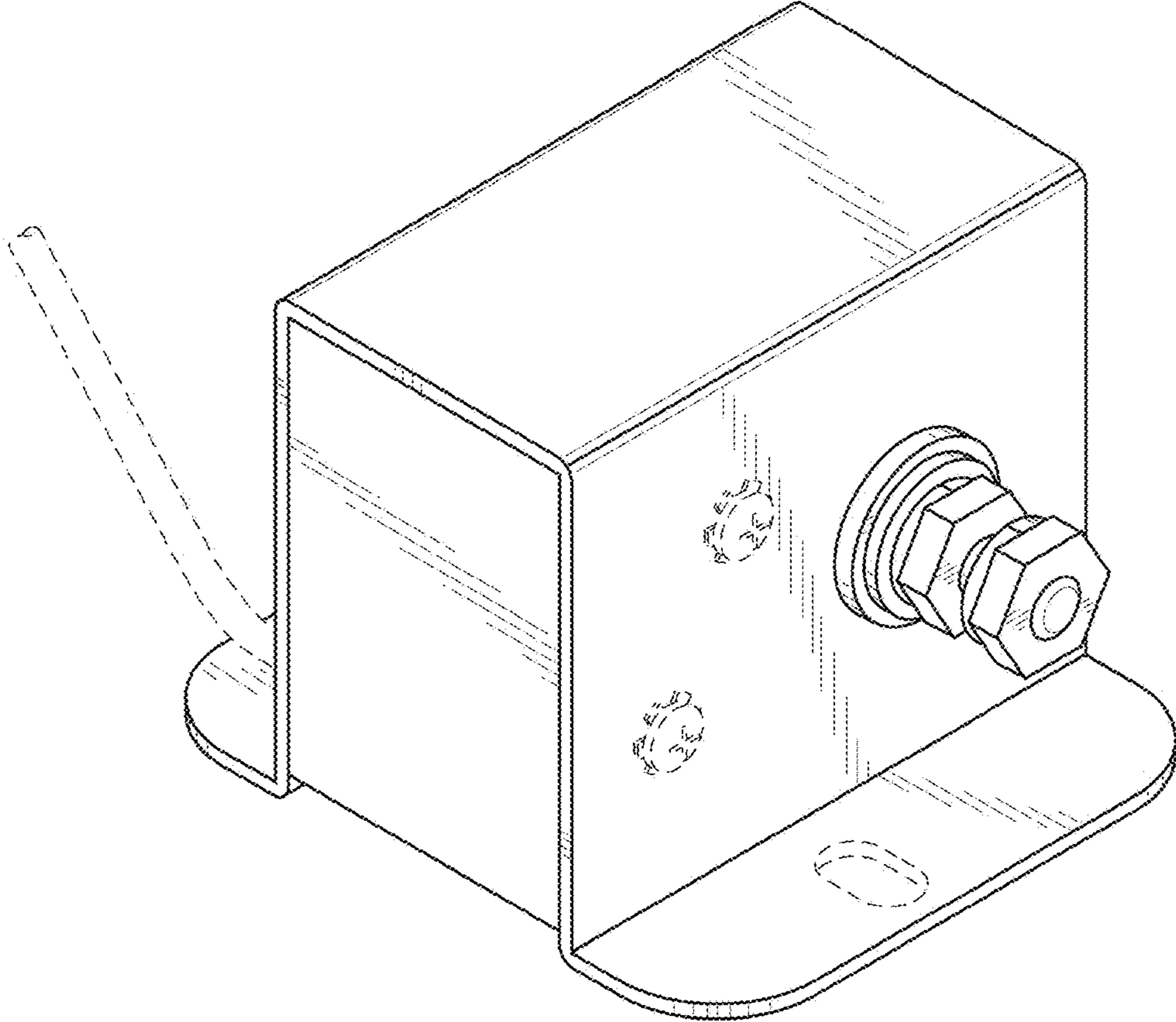


FIG. 1

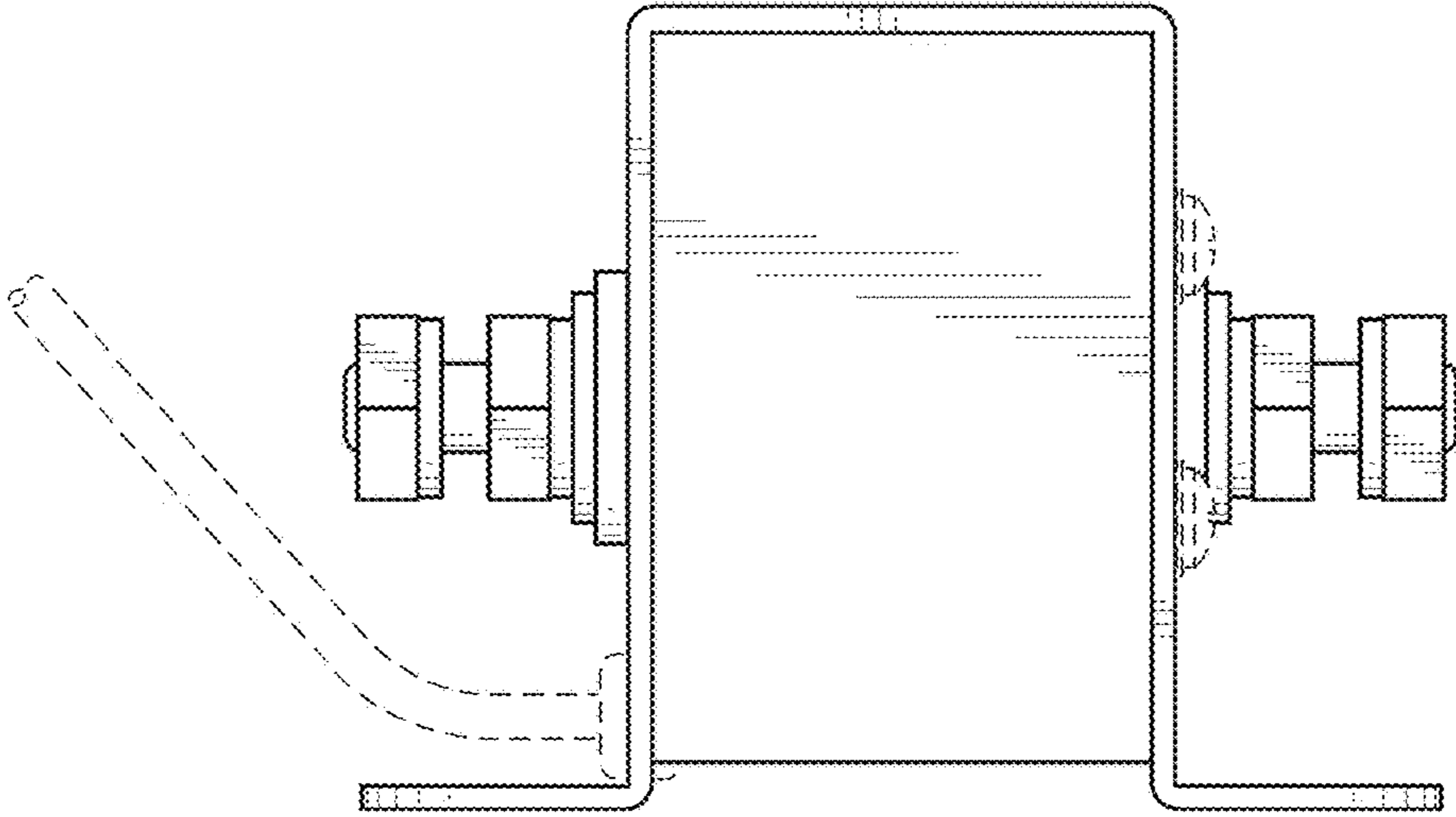


FIG. 2

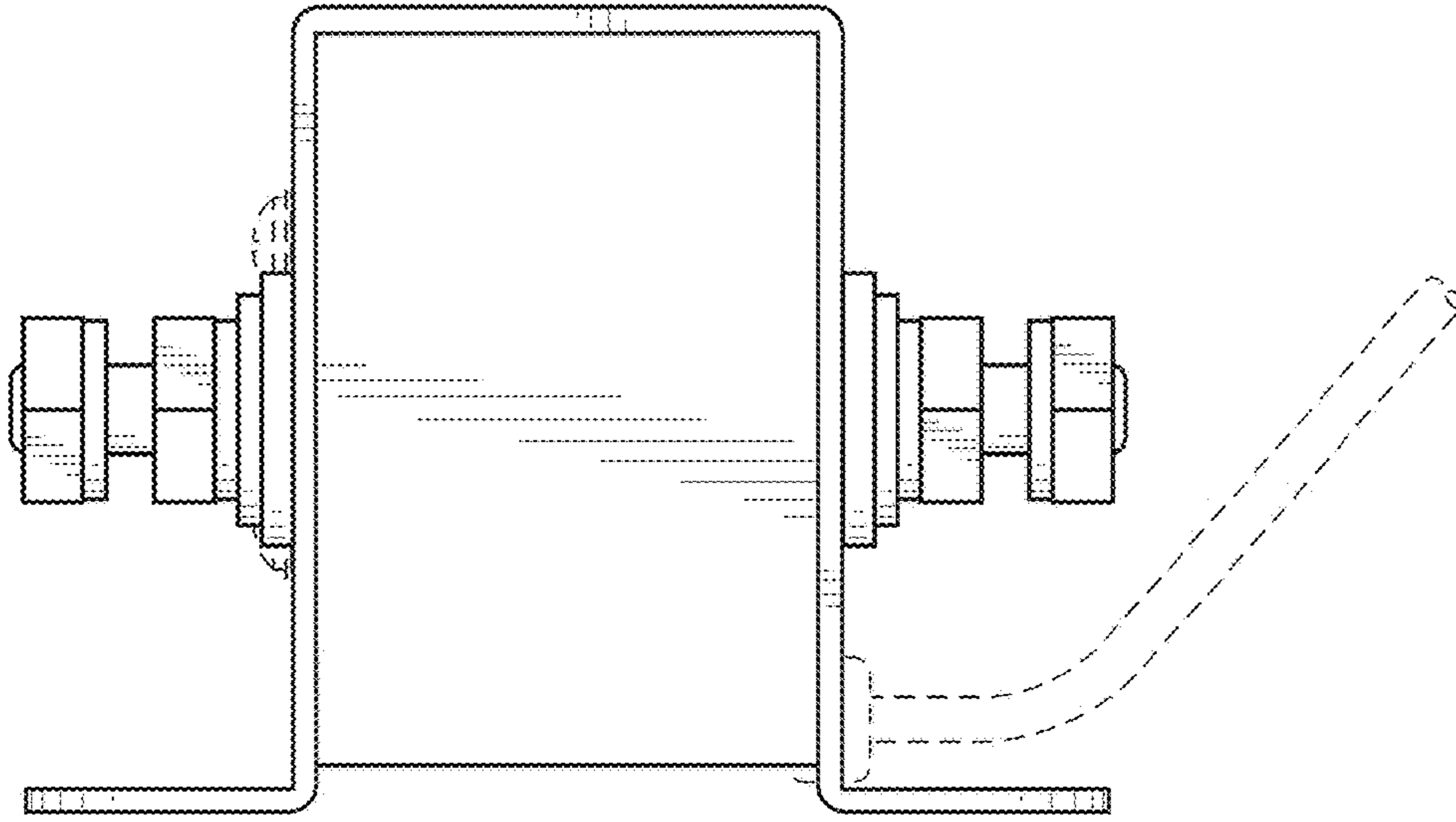


FIG. 3

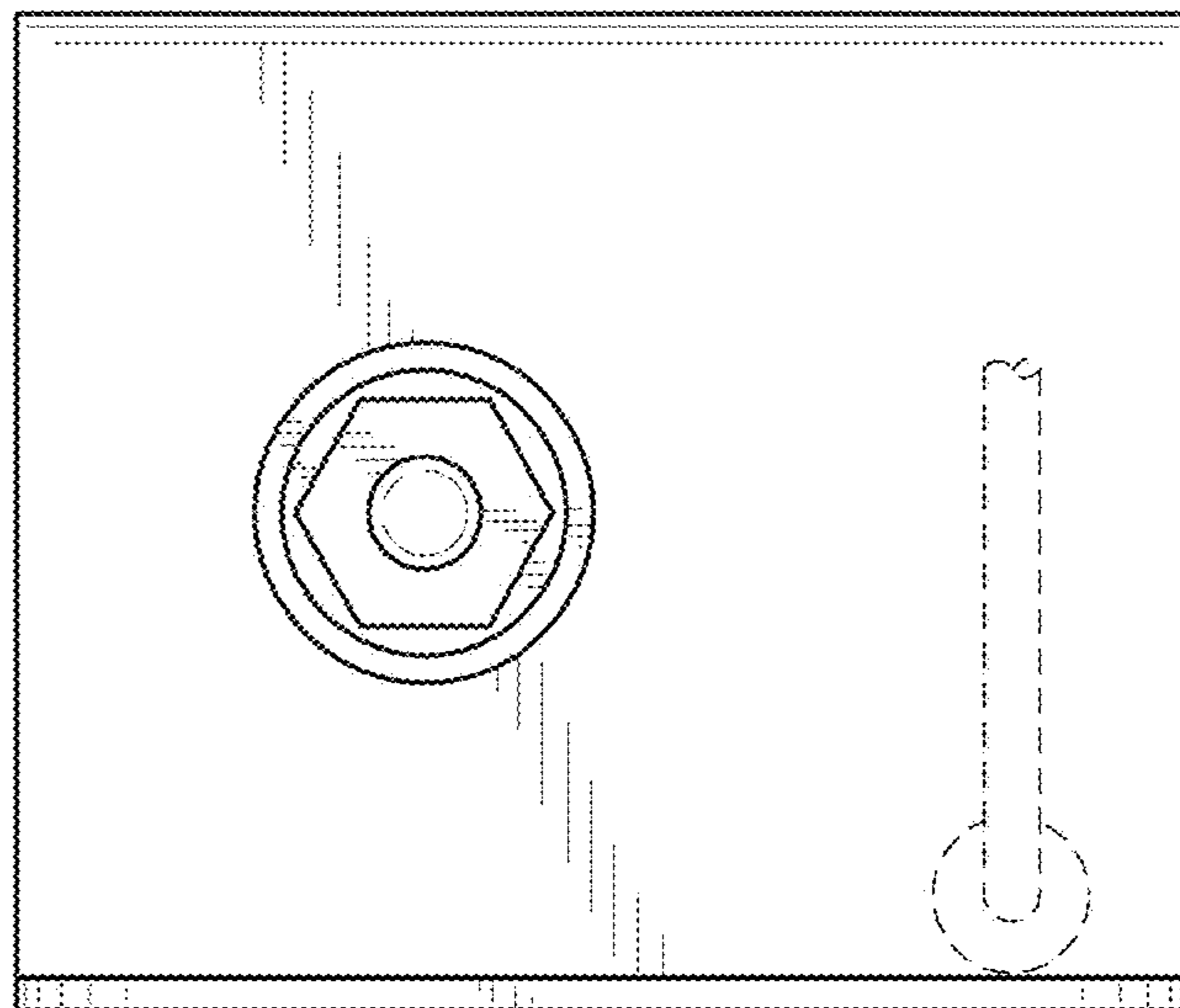


FIG. 4

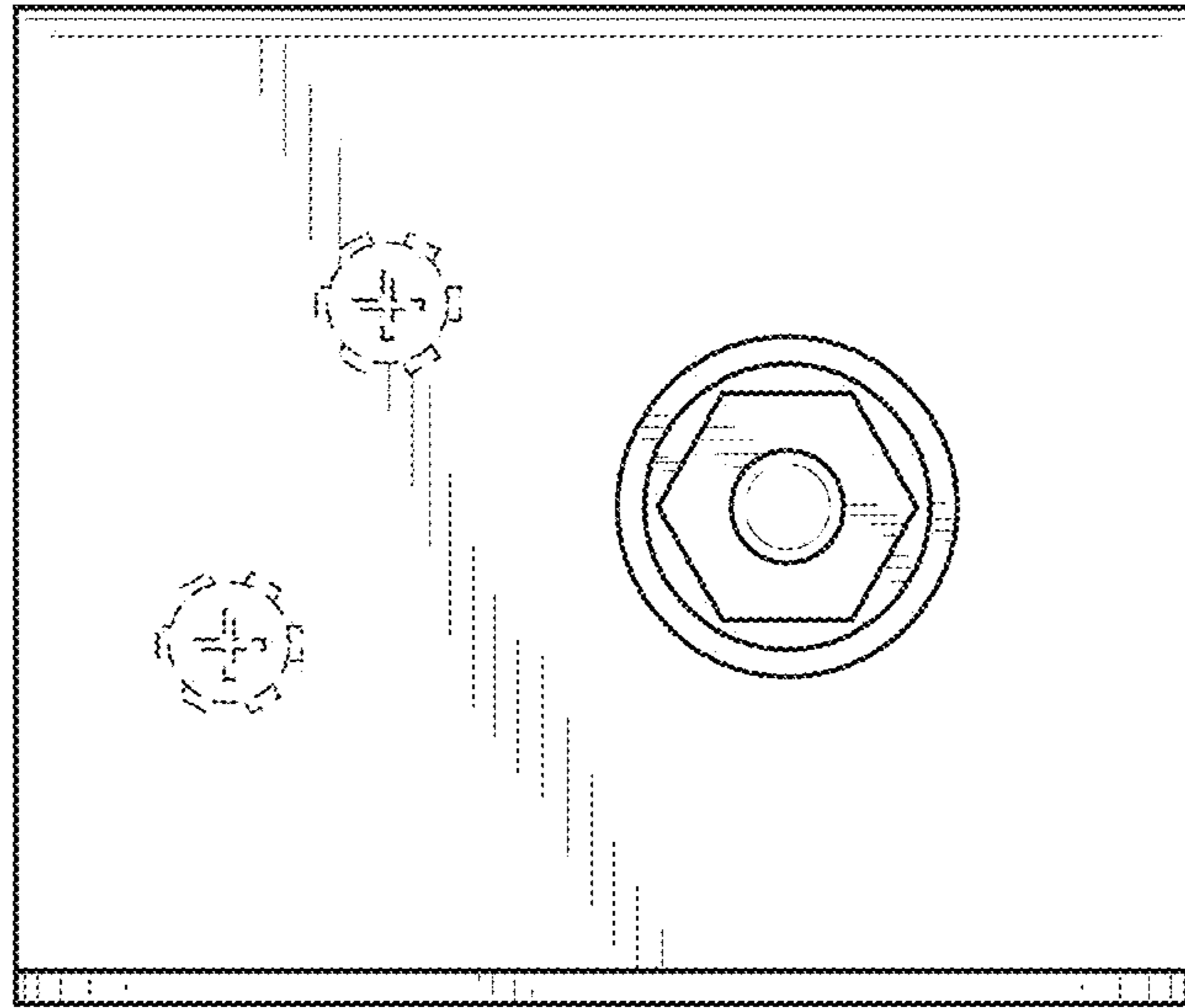


FIG. 5

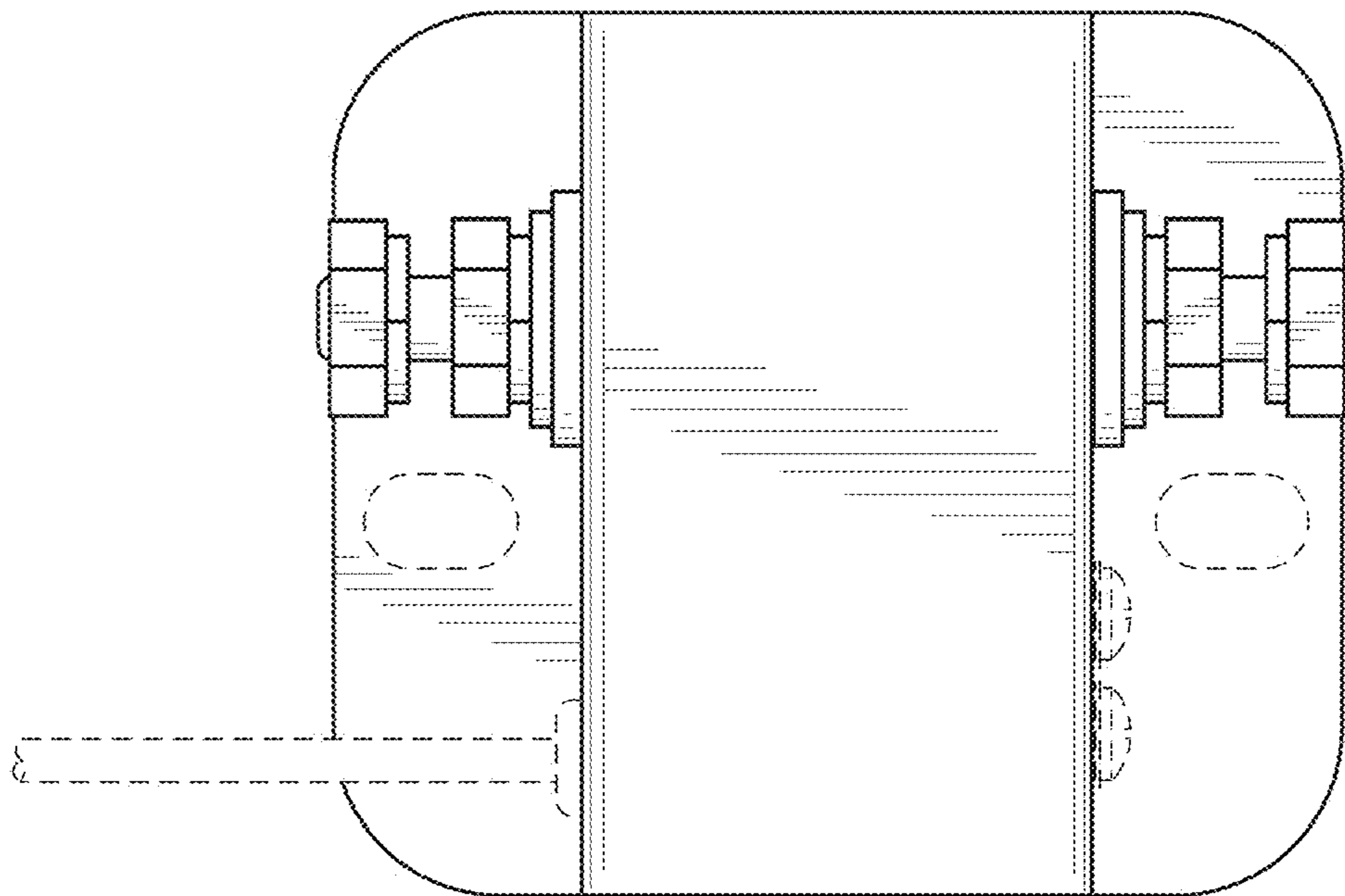


FIG. 6

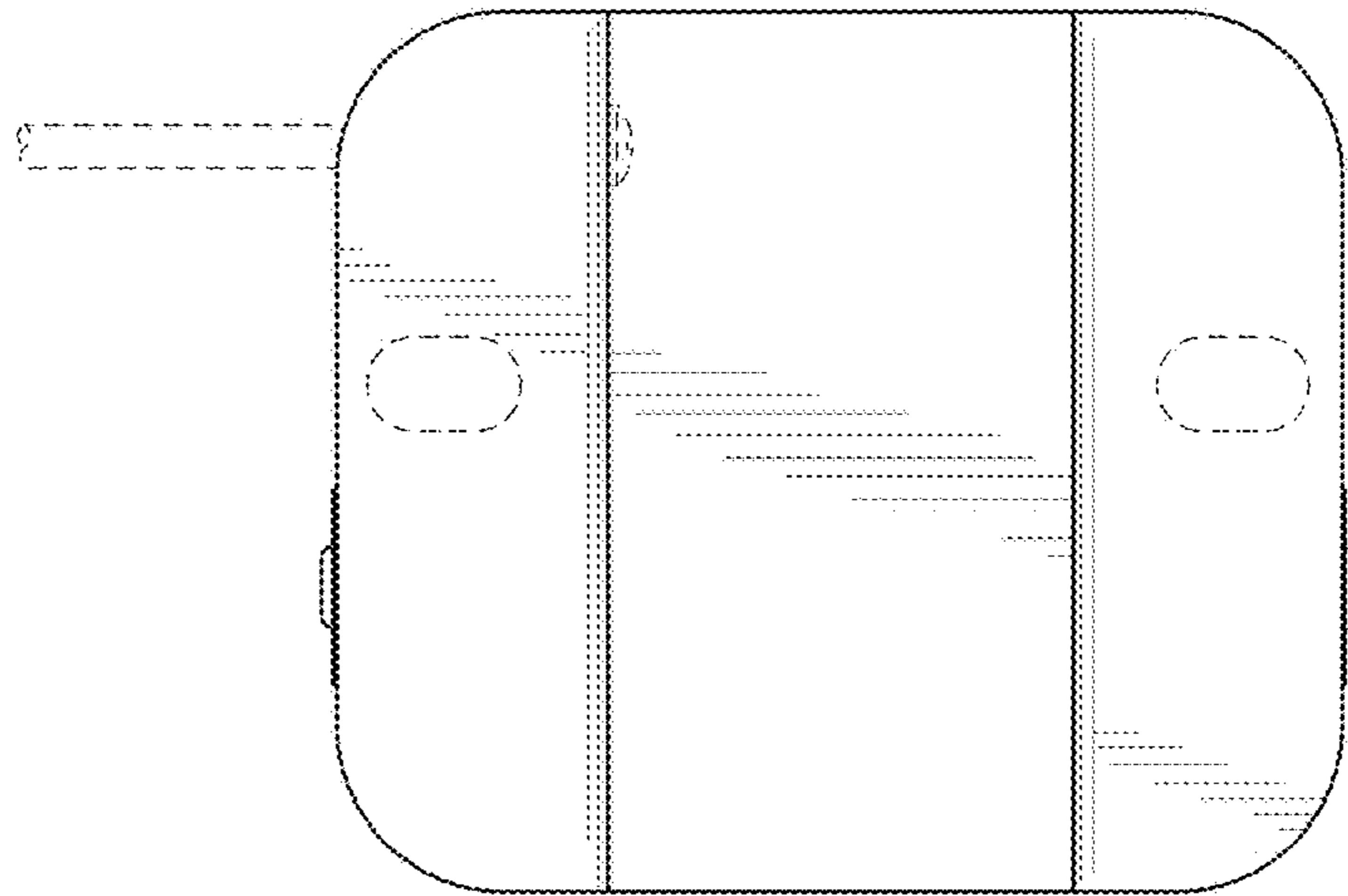


FIG. 7