



US00D794573S

(12) **United States Design Patent**
Tateishi

(10) **Patent No.:** **US D794,573 S**

(45) **Date of Patent:** **** Aug. 15, 2017**

(54) **PLUG FOR A CONNECTOR**

(71) Applicant: **EBARA CORPORATION**, Tokyo (JP)

(72) Inventor: **Osamu Tateishi**, Tokyo (JP)

(73) Assignee: **EBARA CORPORATION**, Tokyo (JP)

(**) Term: **15 Years**

(21) Appl. No.: **29/533,342**

(22) Filed: **Jul. 16, 2015**

(30) **Foreign Application Priority Data**

Jan. 19, 2015 (JP) 2015-000810
Jan. 19, 2015 (JP) 2015-000811

(51) **LOC (10) Cl.** **13-03**

(52) **U.S. Cl.**
USPC **D13/147**

(58) **Field of Classification Search**
USPC D13/146, 147, 154, 184, 199
CPC H01R 13/132; H01R 13/22; H01R 13/28;
H01R 13/2471; H01R 13/2492; H01R
13/40; H01R 13/516; H01R 13/562;
H01R 13/623; H01R 13/6335; H01R
13/659

See application file for complete search history.

(56) **References Cited**

U.S. PATENT DOCUMENTS

D162,795 S * 4/1951 De Tar 439/314
D265,189 S * 6/1982 Eriksson D10/114.1
D462,662 S * 9/2002 Lindekugel D13/146

D599,741 S * 9/2009 Meldert D13/147
D615,496 S * 5/2010 Mennekes D13/133
2015/0165217 A1* 6/2015 Hughes A61N 1/3752
439/625

* cited by examiner

Primary Examiner — Daniel Bui

(74) *Attorney, Agent, or Firm* — Pearne & Gordon LLP

(57) **CLAIM**

The ornamental design for a plug for a connector, as shown and described.

DESCRIPTION

FIG. 1 is a perspective view of a first embodiment of a plug for a connector showing my new design;
FIG. 2 is a front view thereof;
FIG. 3 is a rear view thereof;
FIG. 4 is a top plan view thereof;
FIG. 5 is a bottom view thereof;
FIG. 6 is a left side view thereof;
FIG. 7 is a right side view thereof;
FIG. 8 is a perspective view of a second embodiment of a plug for a connector showing my new design;
FIG. 9 is a front view thereof;
FIG. 10 is a rear view thereof;
FIG. 11 is a top plan view thereof;
FIG. 12 is a bottom view thereof;
FIG. 13 is a left side view thereof; and,
FIG. 14 is a right side view thereof.

The broken lines depict environmental subject matter only and form no part of the claimed design. The dashed-dot-dashed lines represent boundary lines of the claimed design.

1 Claim, 4 Drawing Sheets

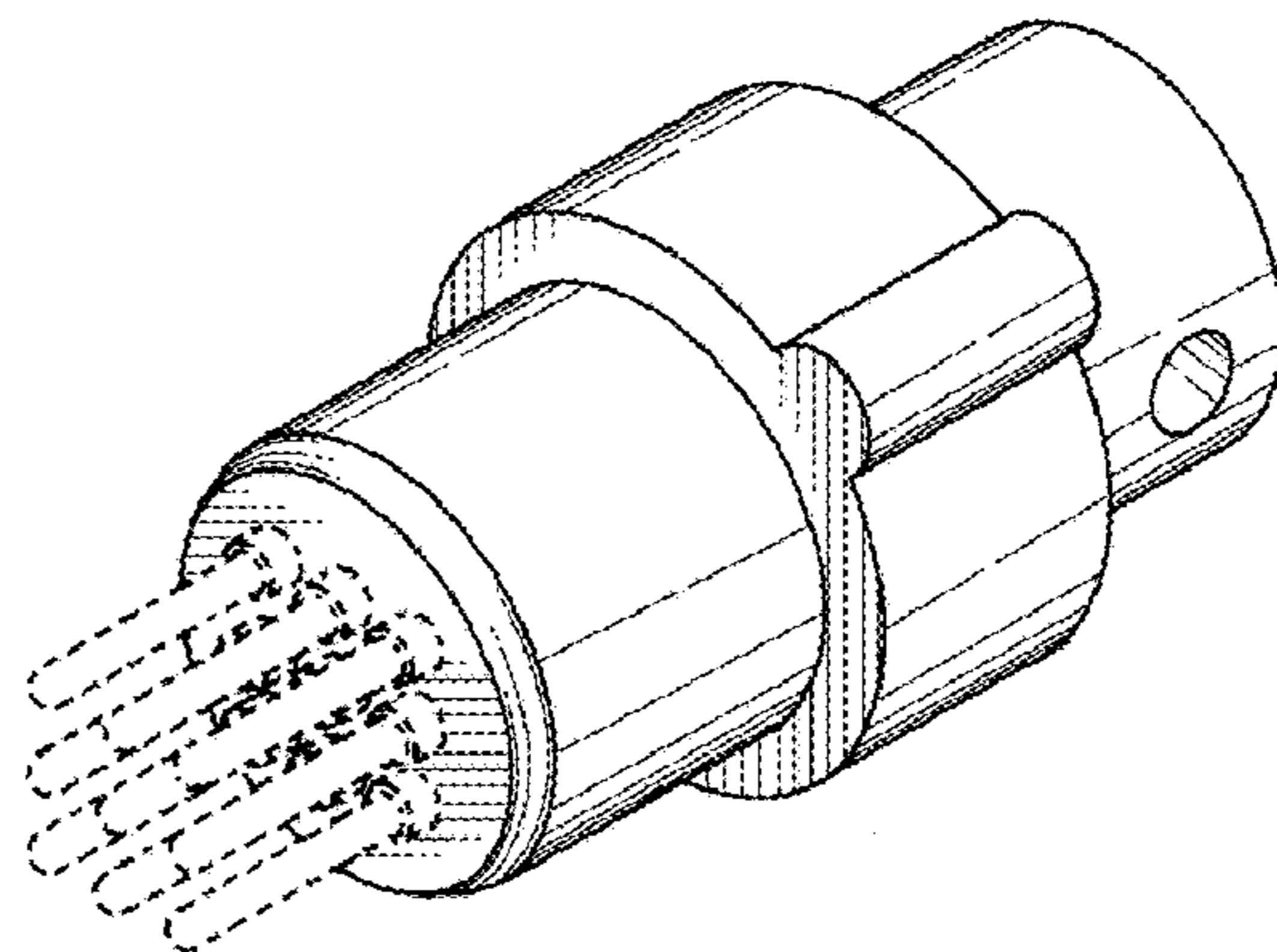
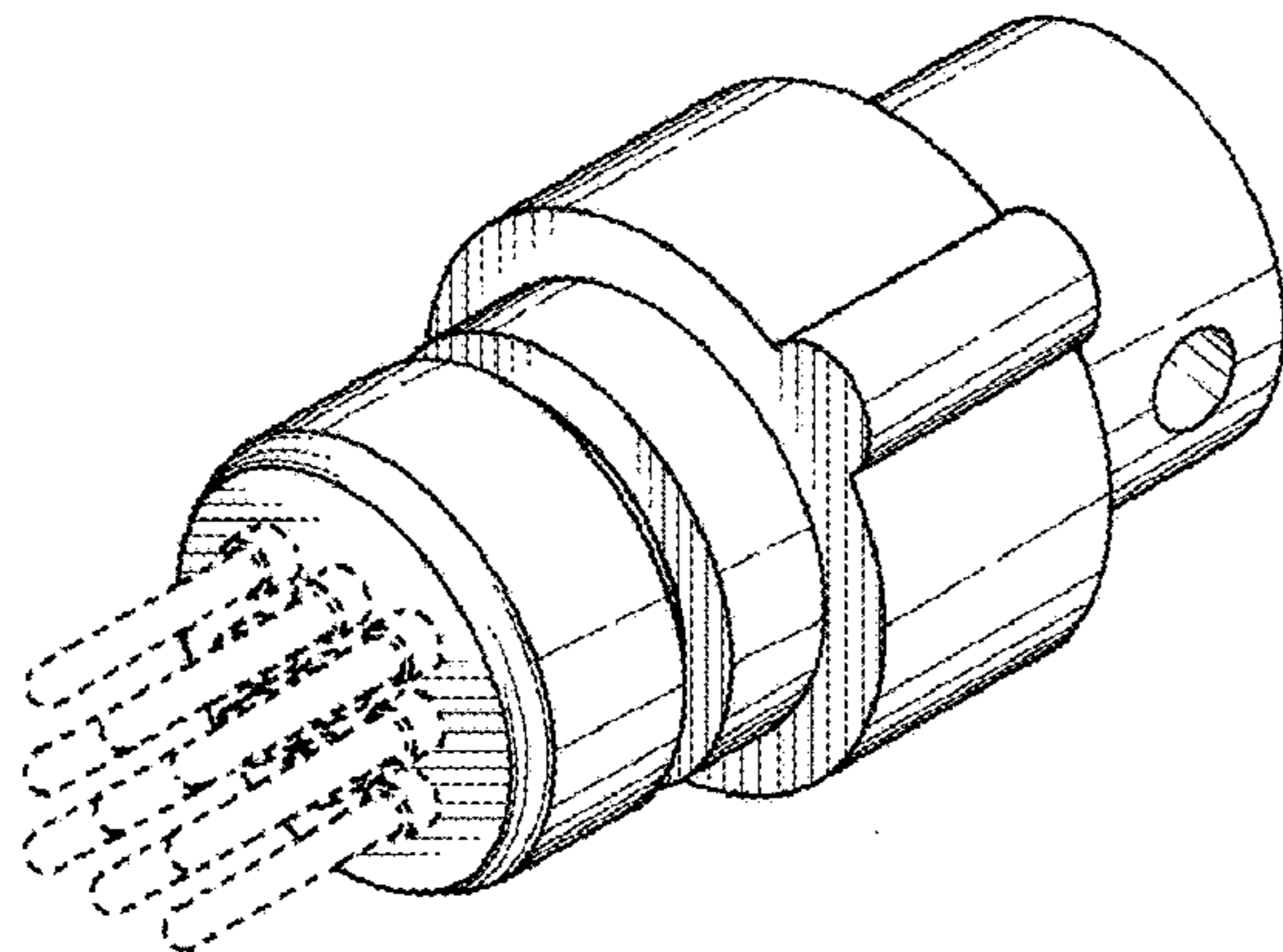


FIG. 1

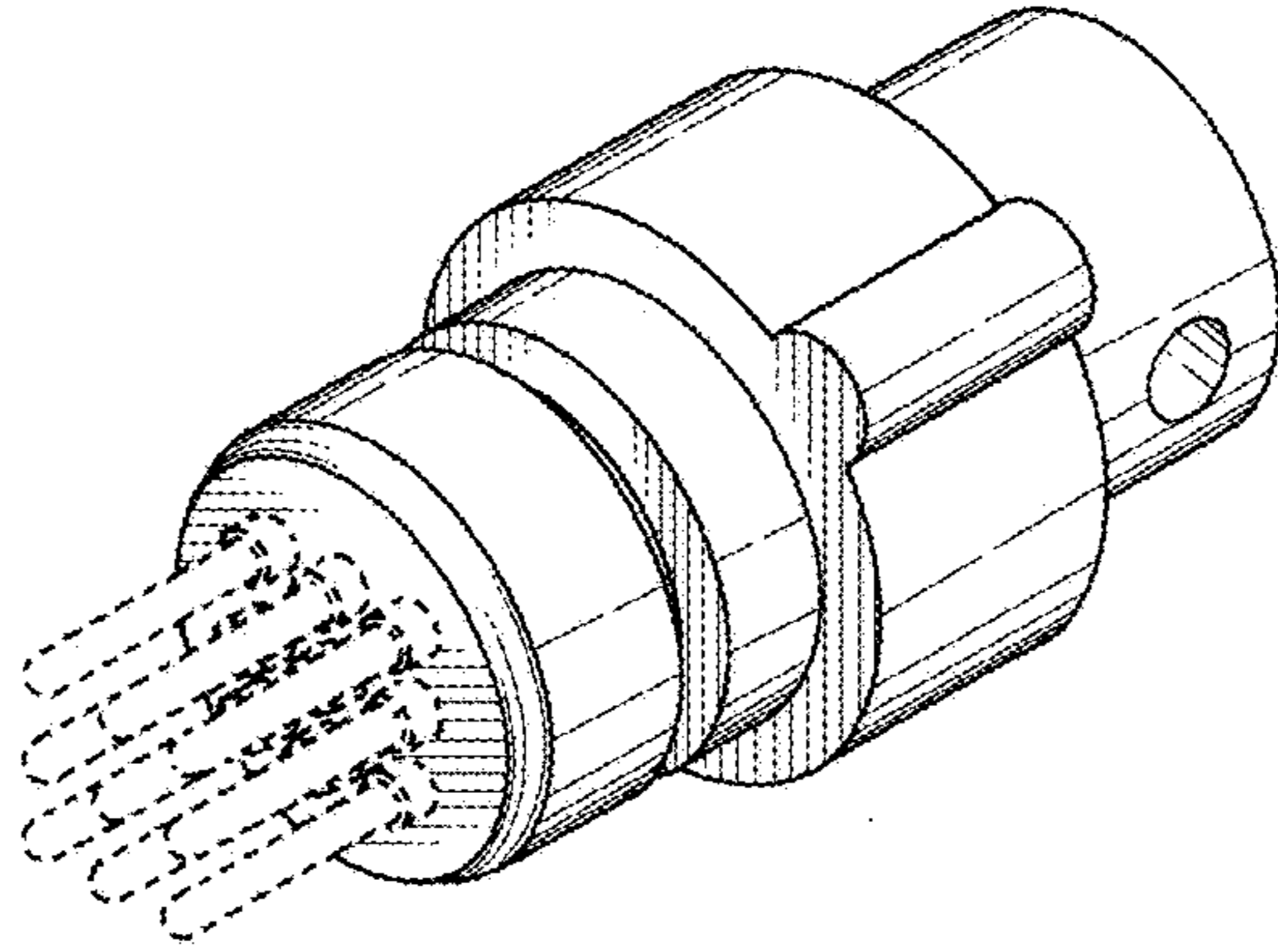


FIG. 2

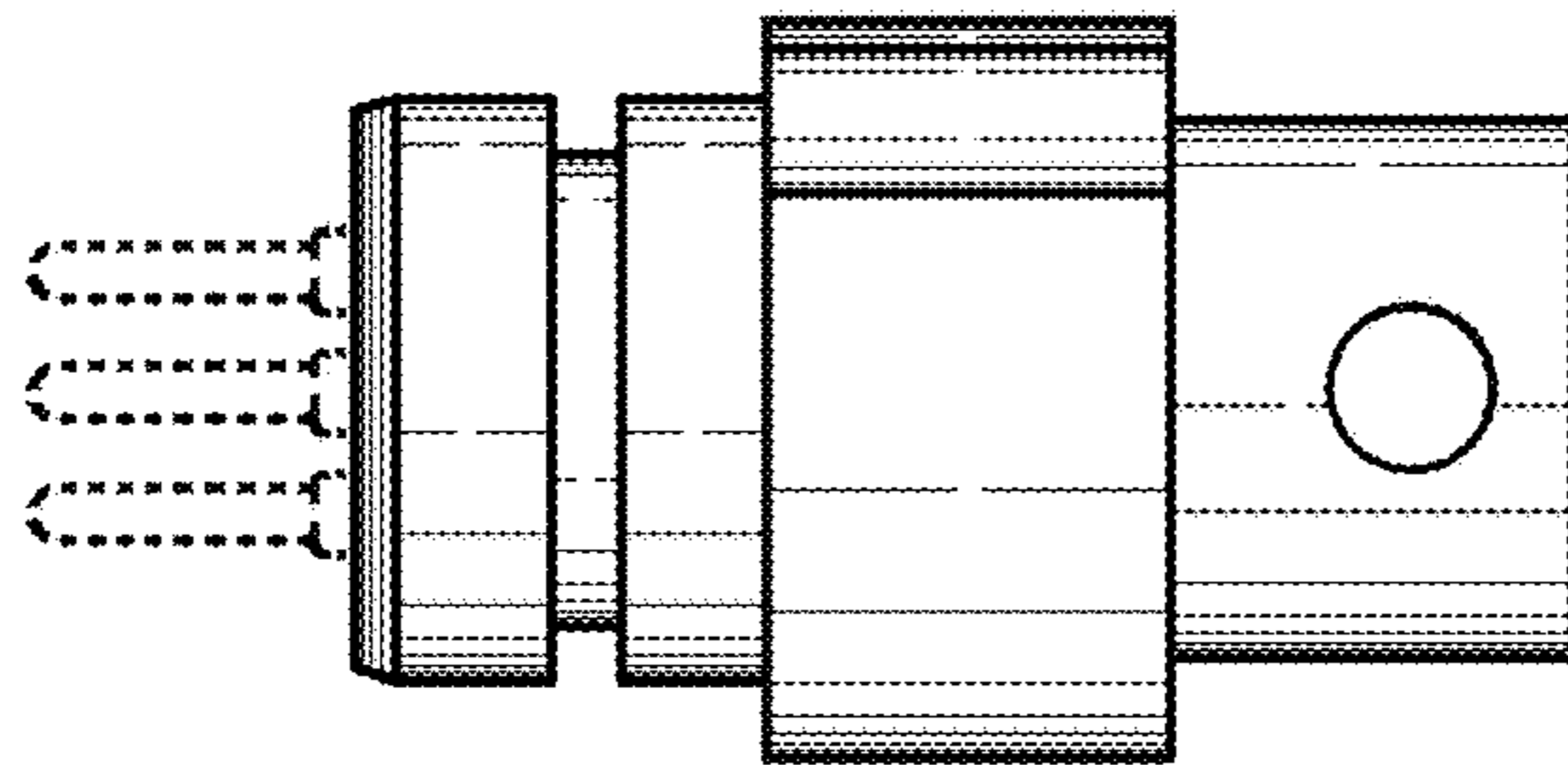


FIG. 3

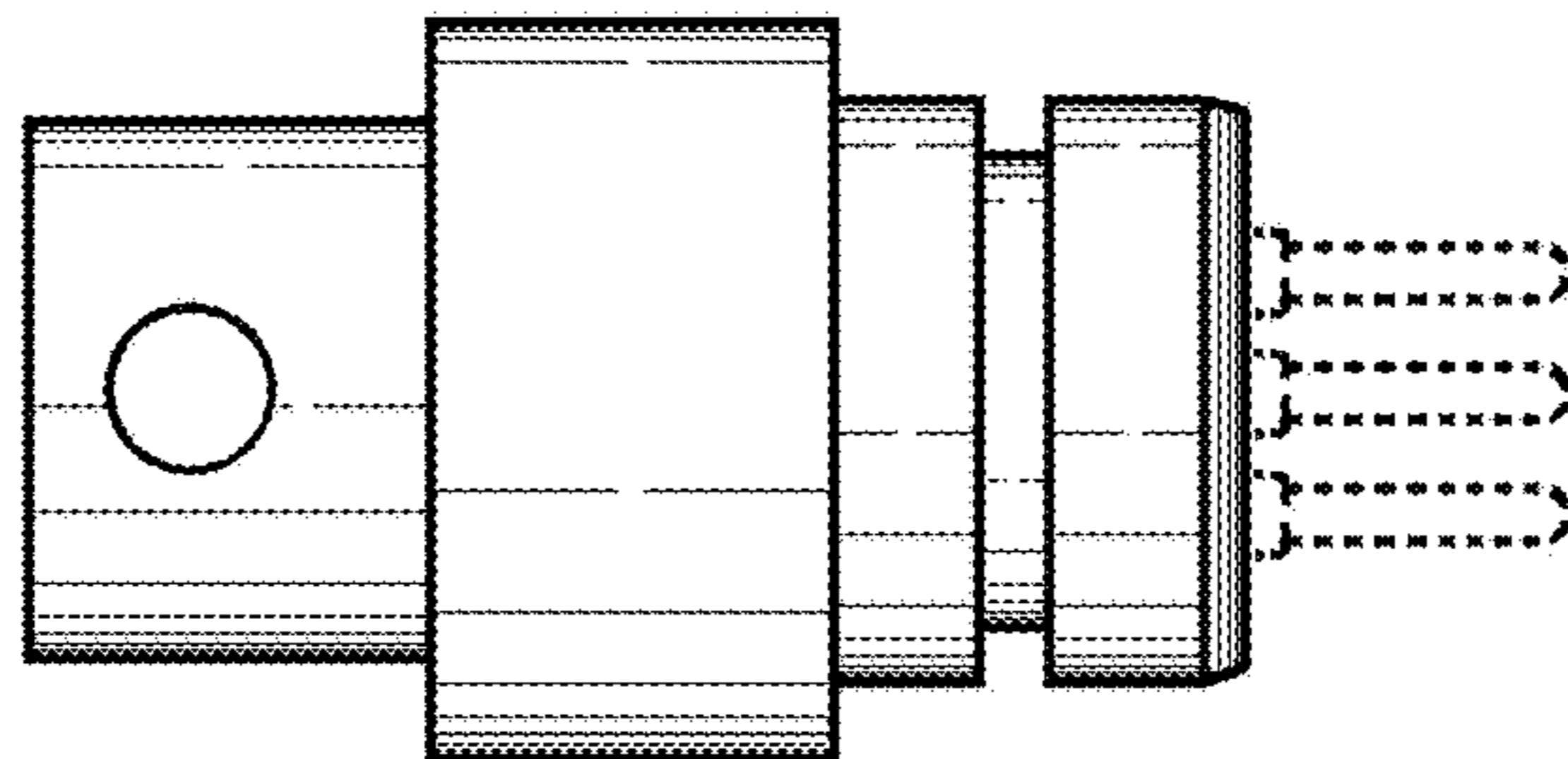


FIG. 4

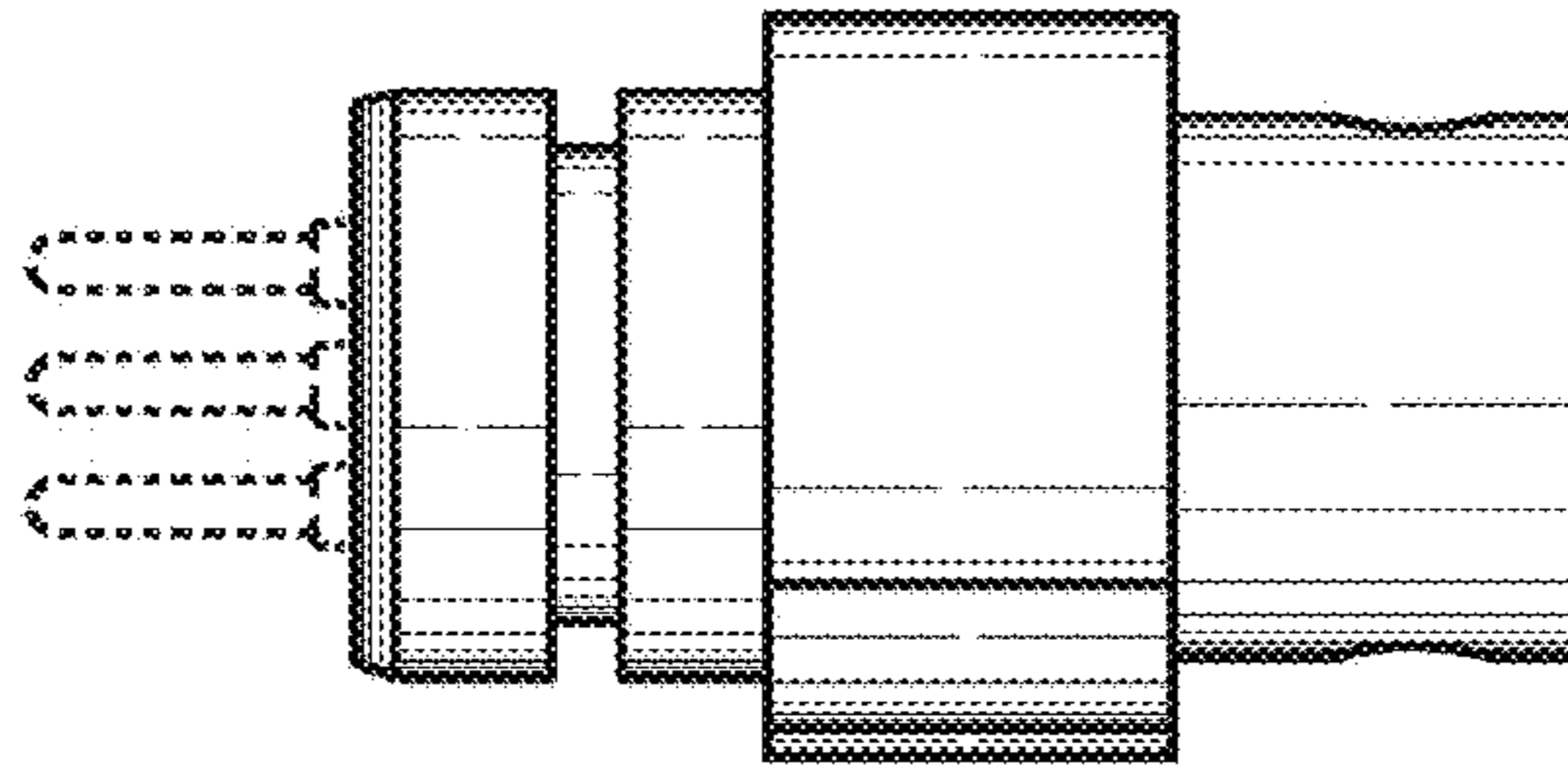


FIG. 5

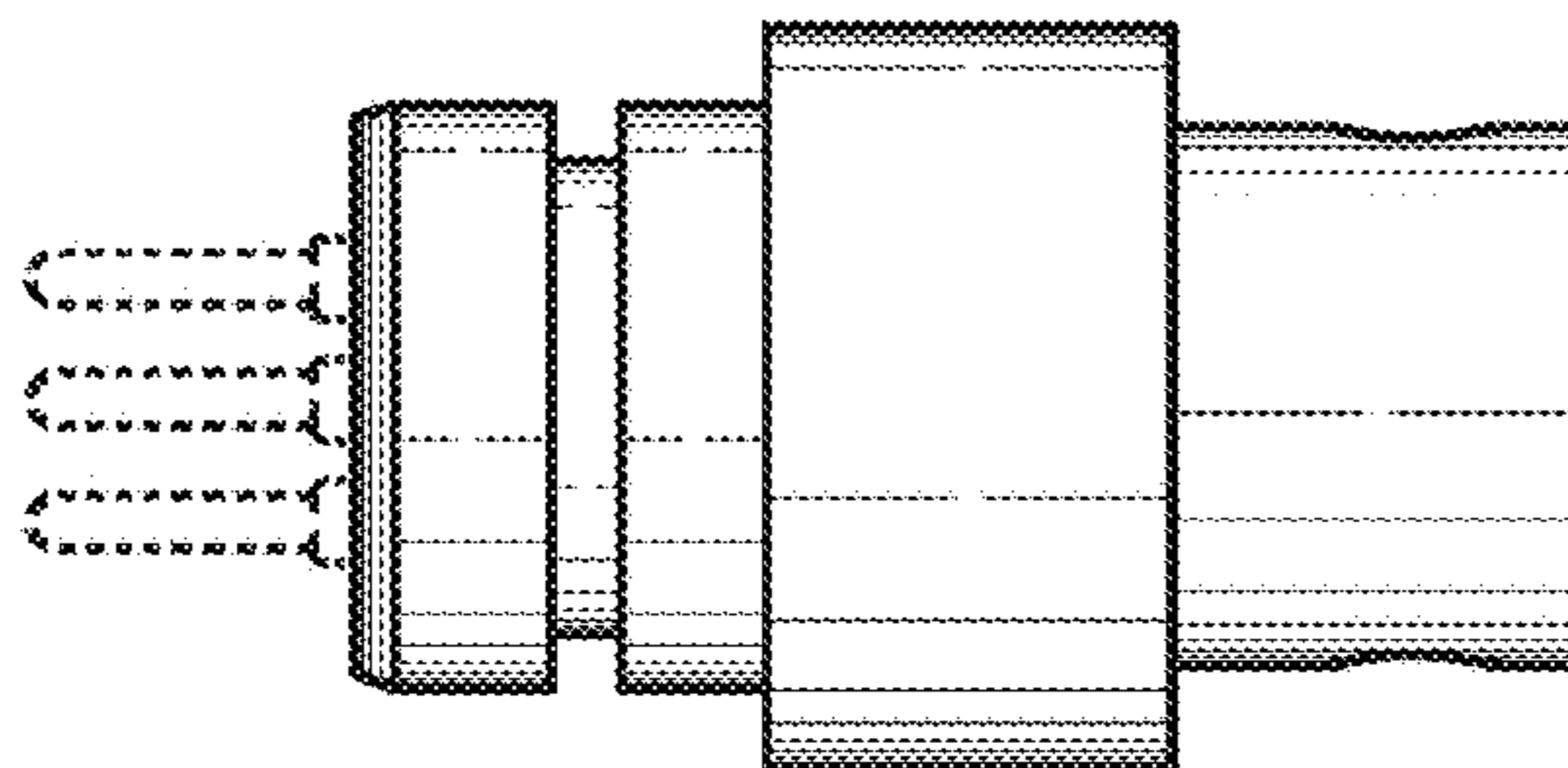


FIG. 6

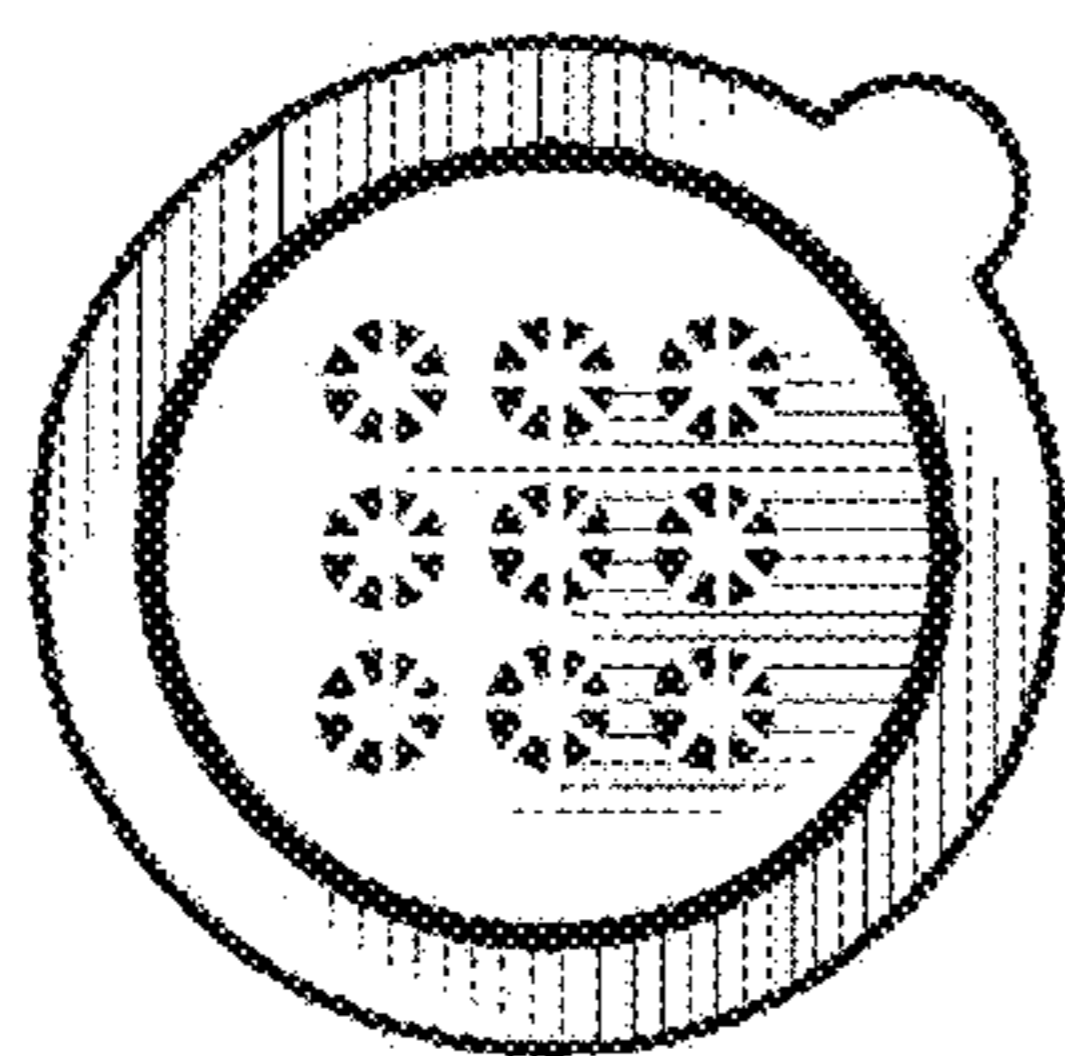


FIG. 7

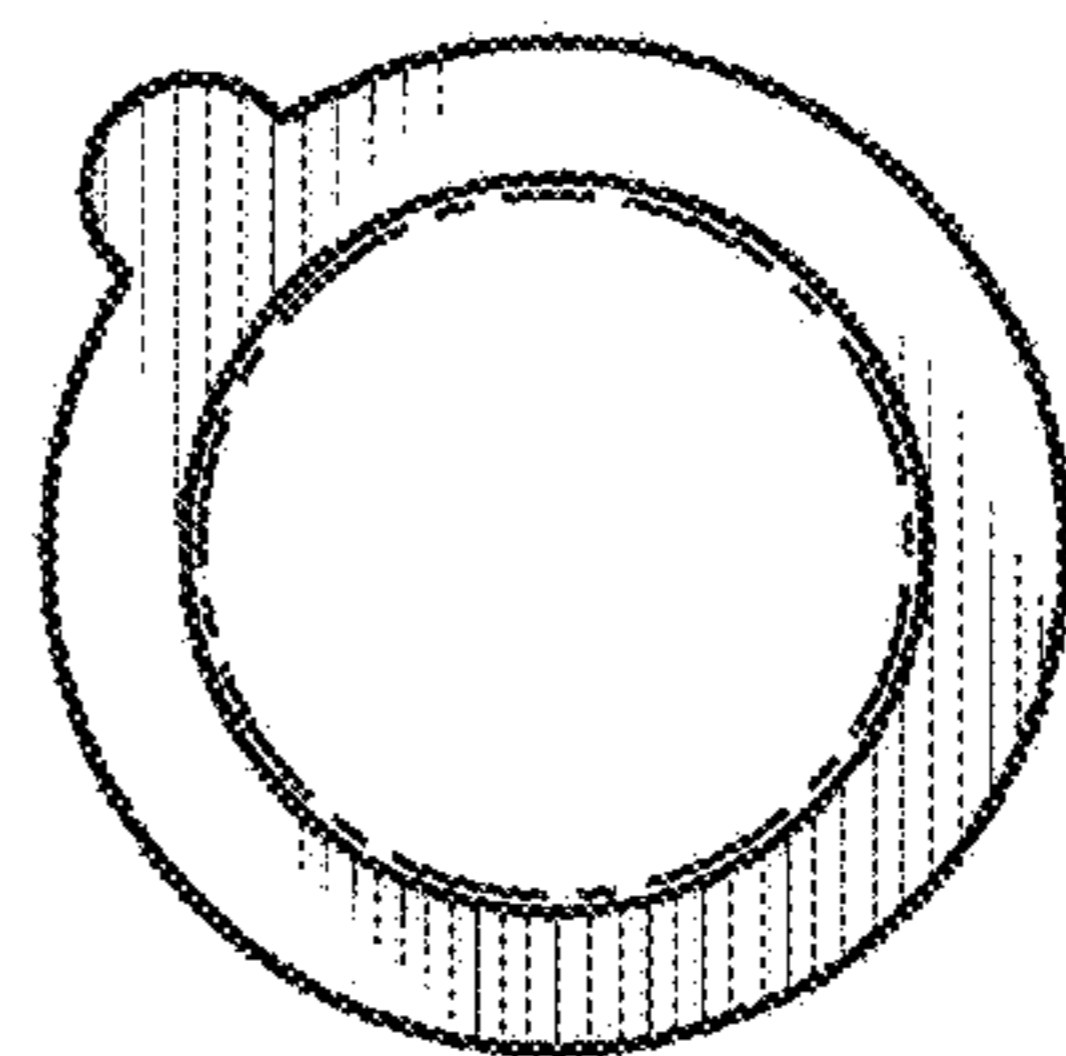


FIG. 8

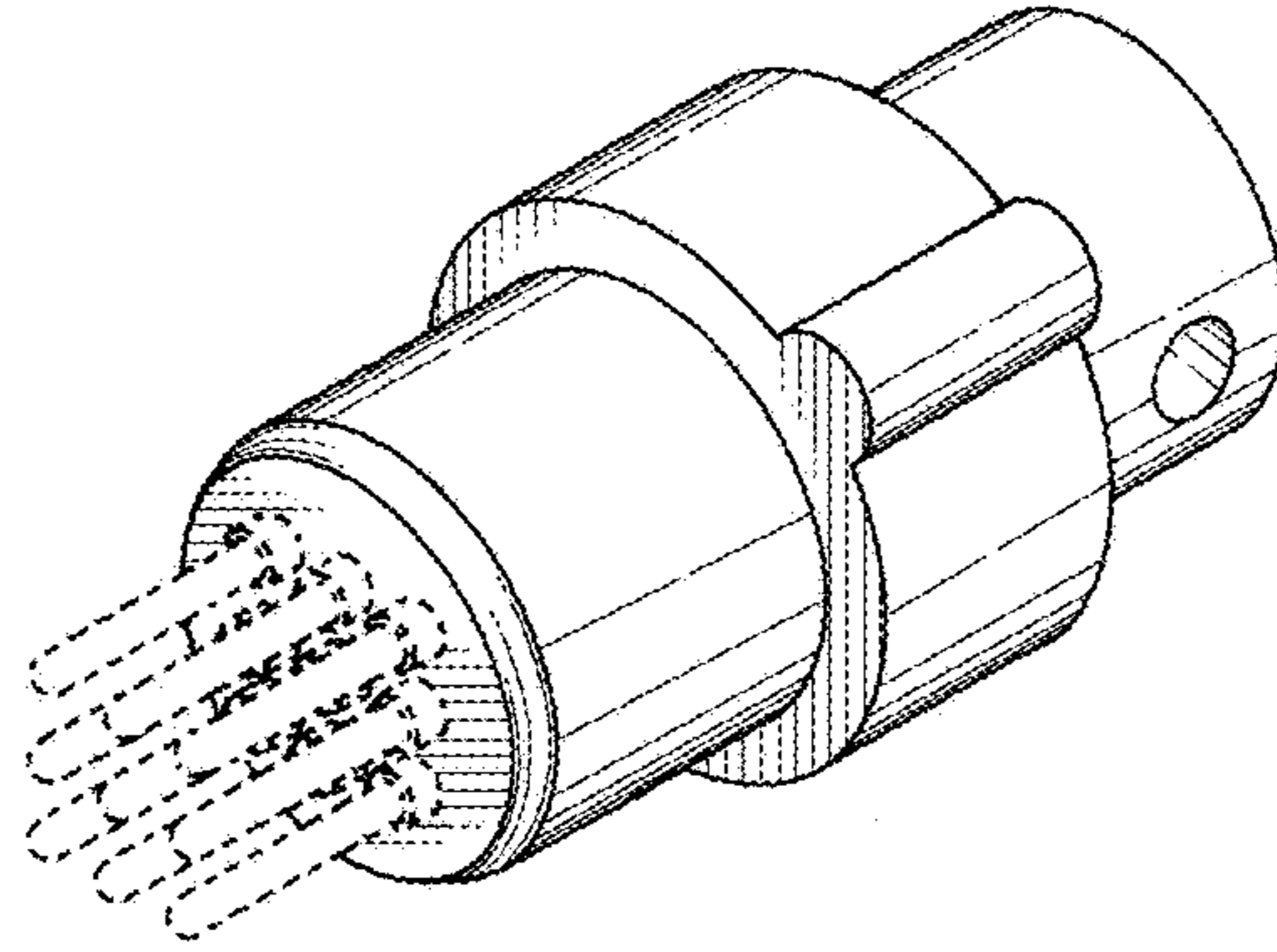


FIG. 9

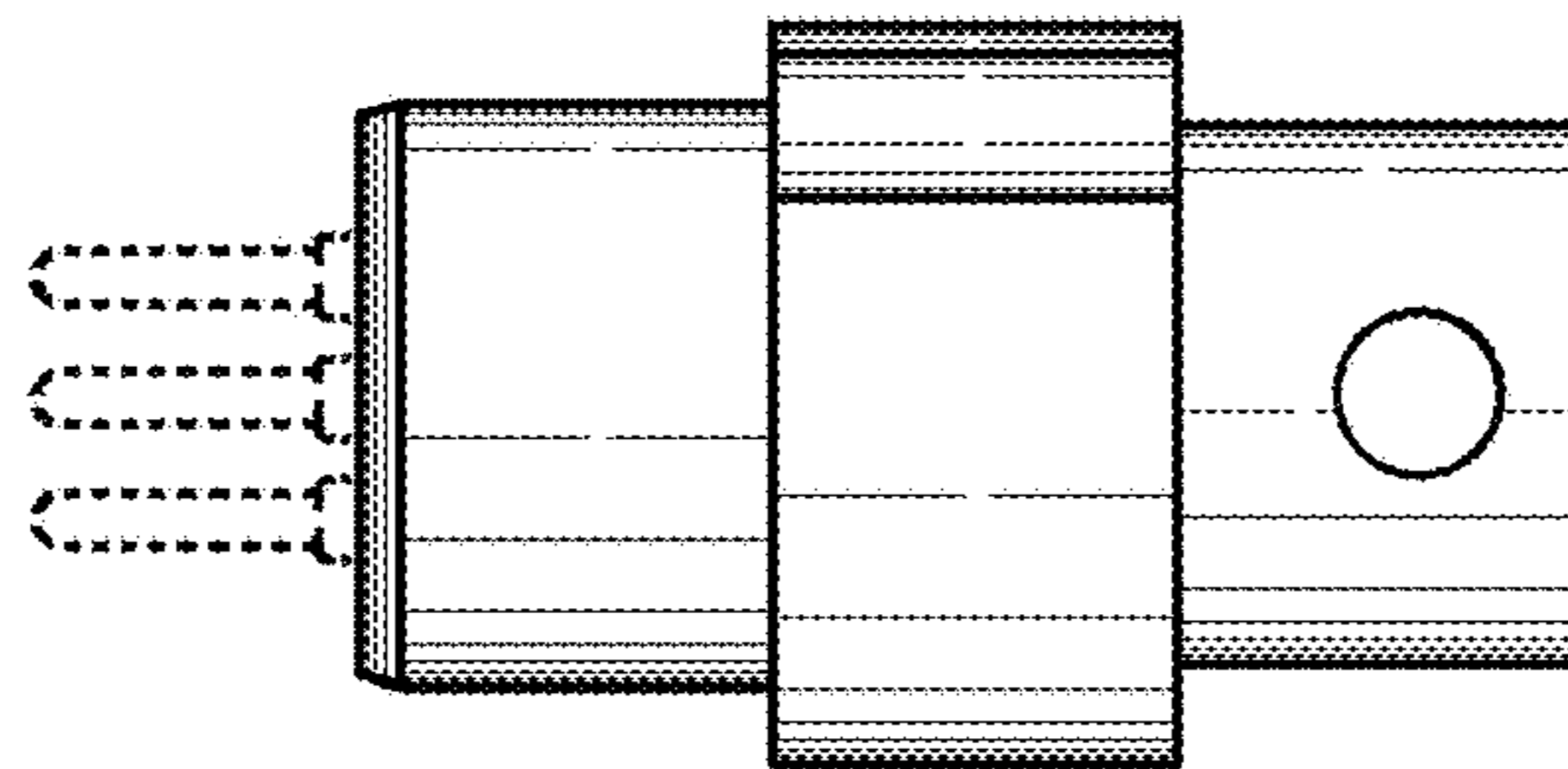


FIG. 10

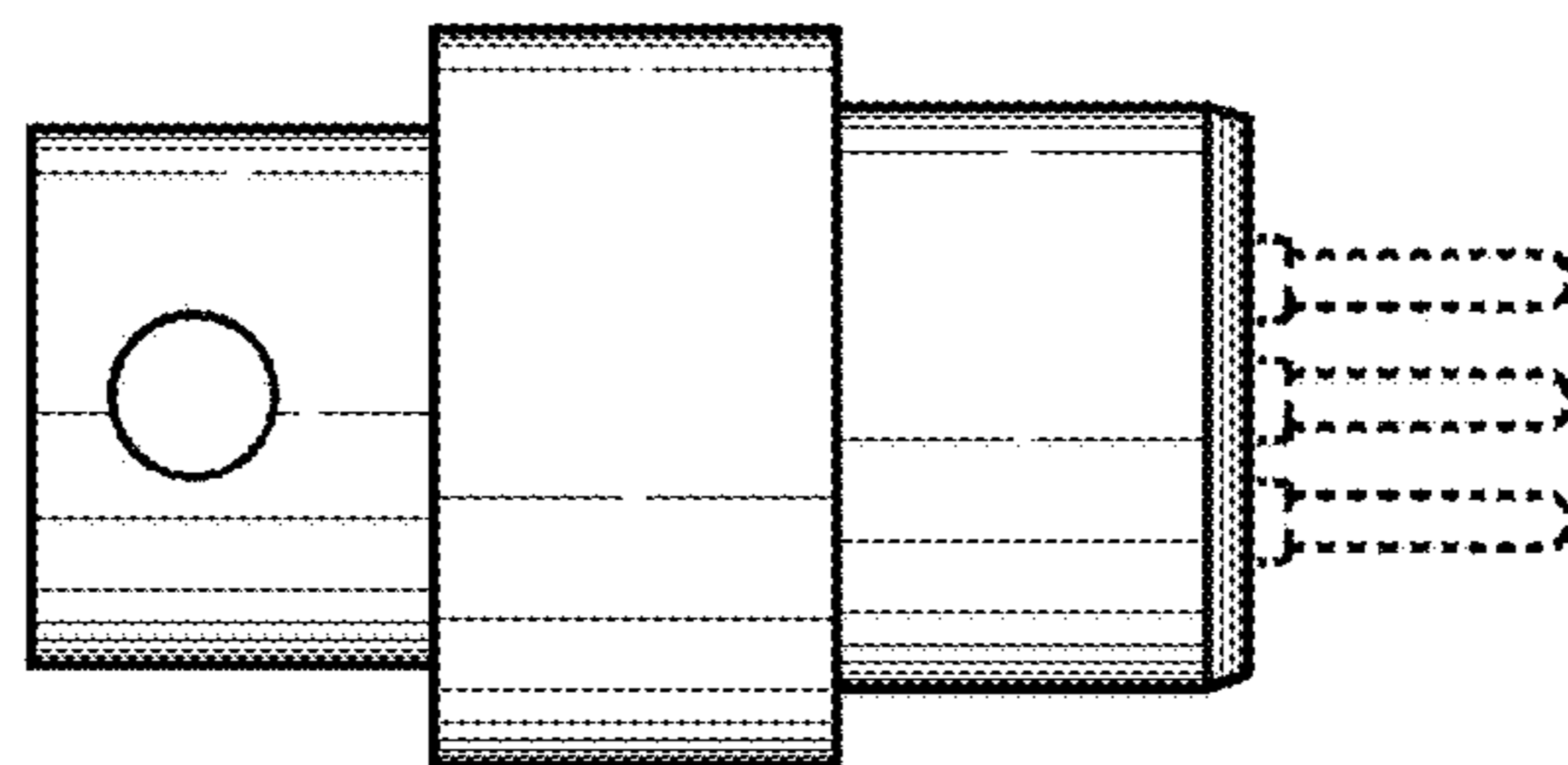


FIG. 11

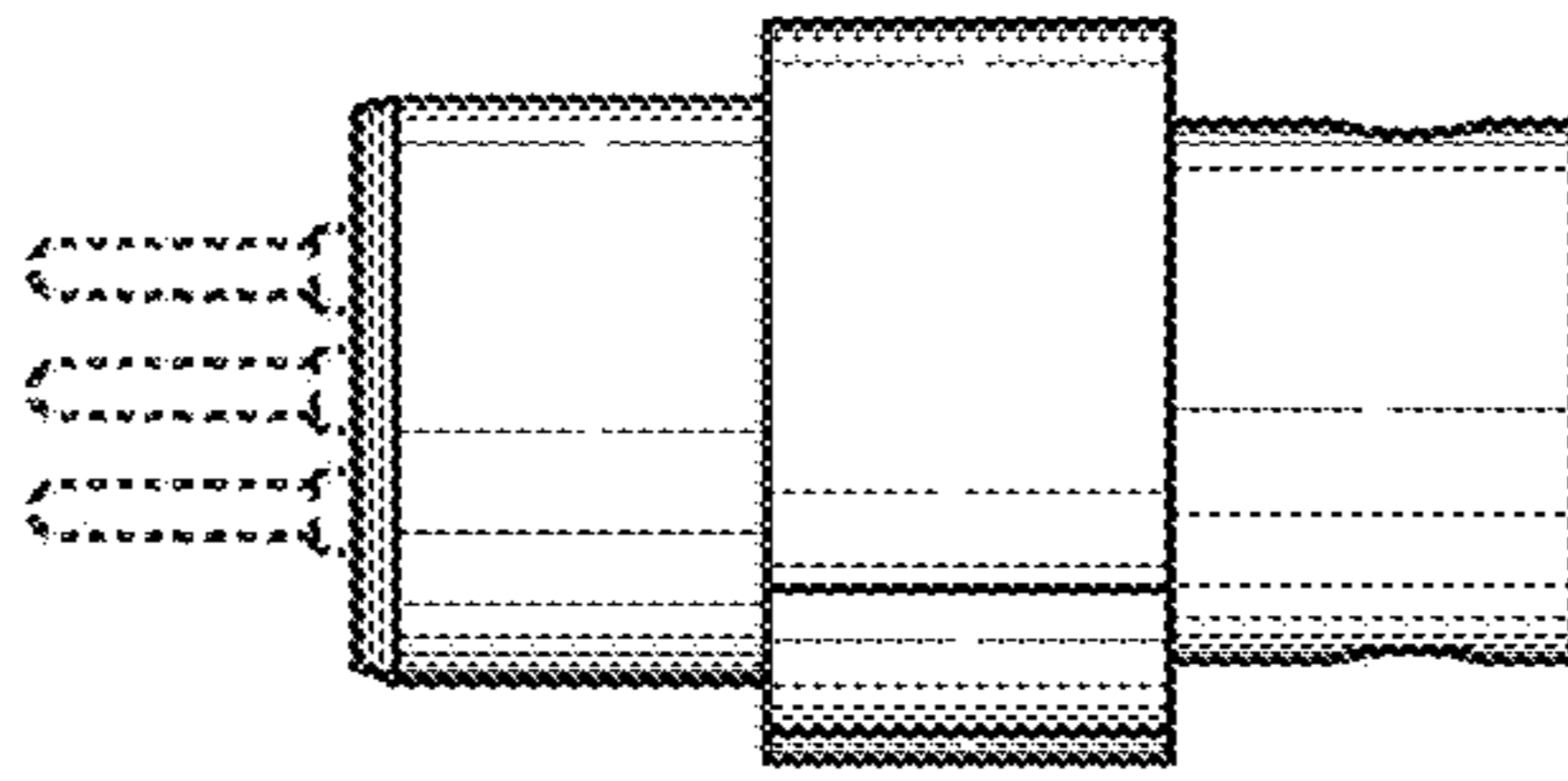


FIG. 12

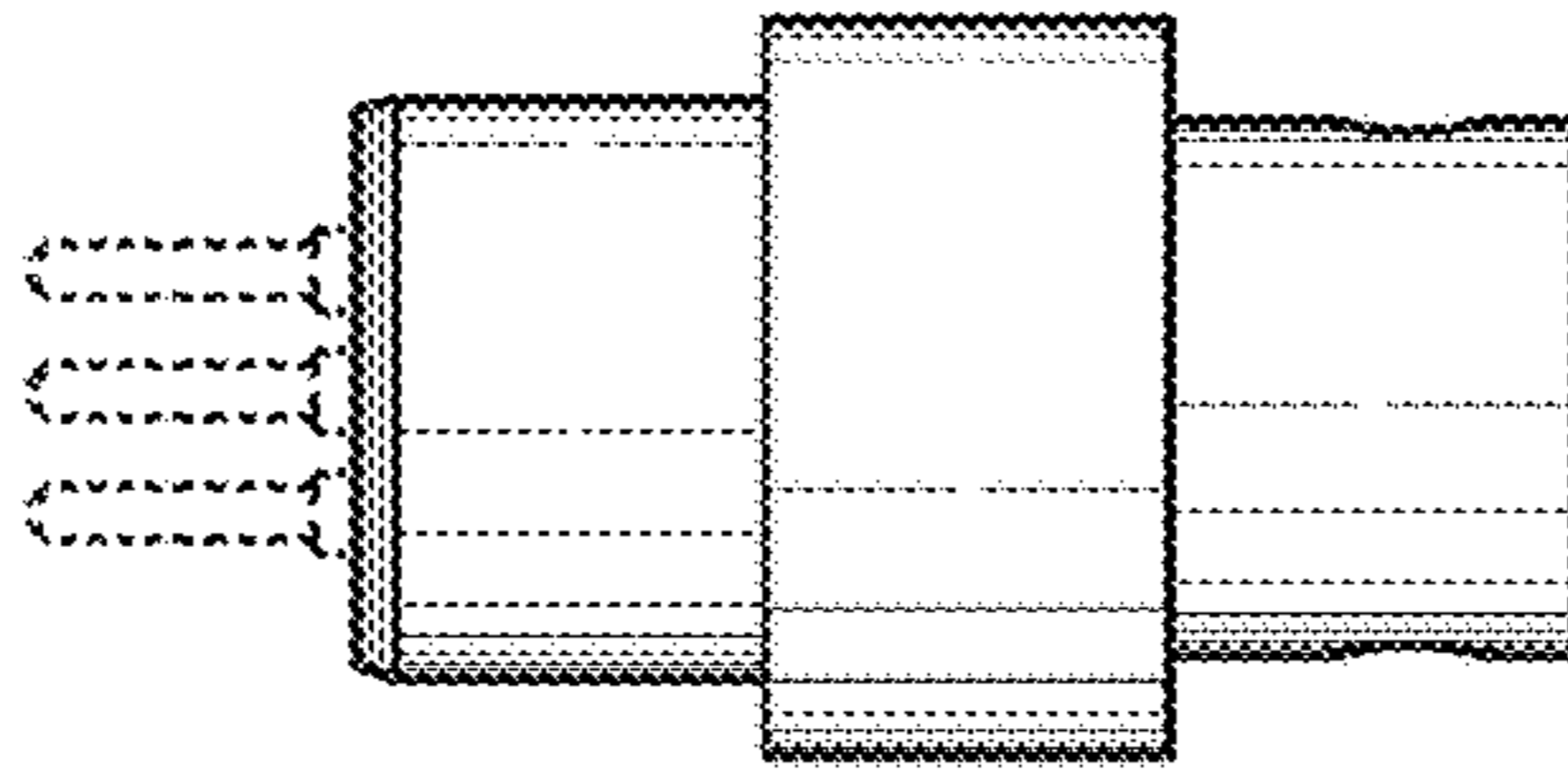


FIG. 13

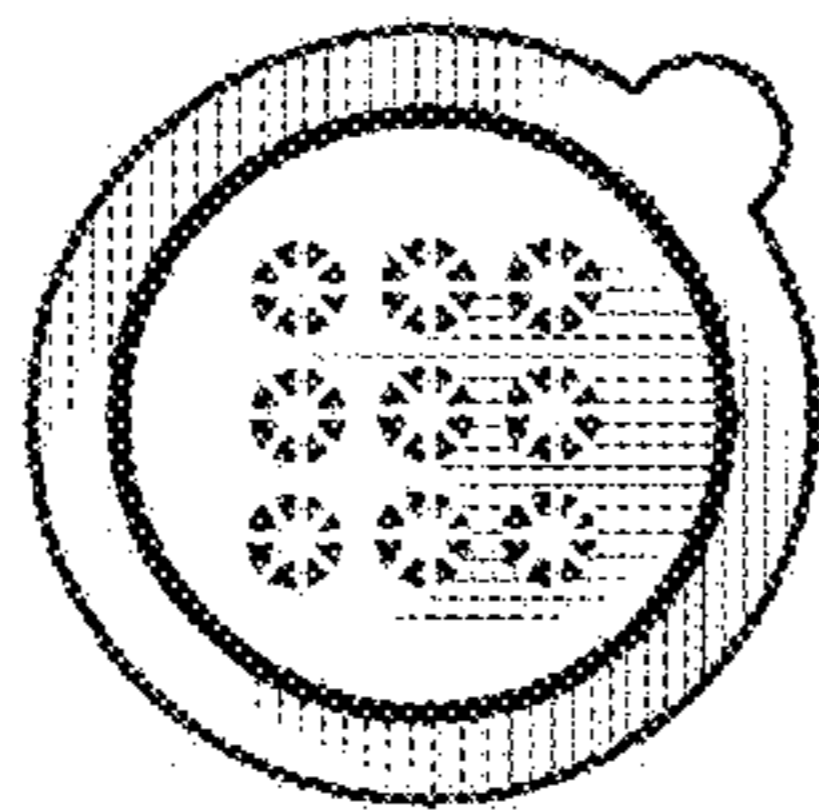


FIG. 14

