



US00D794572S

(12) **United States Design Patent**
Corona

(10) **Patent No.:** **US D794,572 S**

(45) **Date of Patent:** **** Aug. 15, 2017**

(54) **MALE ELECTRICAL CONNECTOR**

(71) Applicant: **DSM&T Company, Inc.**, Fontana, CA
(US)

(72) Inventor: **Sergio Corona**, Upland, CA (US)

(73) Assignee: **DSM&T Company, Inc.**, Fontana, CA
(US)

(**) Term: **15 Years**

(21) Appl. No.: **29/529,797**

(22) Filed: **Jun. 10, 2015**

(51) **LOC (10) Cl.** **13-03**

(52) **U.S. Cl.**
USPC **D13/146**

(58) **Field of Classification Search**
USPC D13/123, 133, 146, 147, 154, 184, 199
CPC .. H01R 13/502; H01R 13/506; H01R 13/582;
H01R 13/623; H01R 13/6335; H01R
13/659; H01R 13/6591; H01R 13/6271;
H01R 13/6275; H01R 13/62977; H01R
13/6471; H01R 13/6658; H01R 13/6683;
H01R 43/16; H01R 43/20; H01R 43/24
See application file for complete search history.

(56) **References Cited**

U.S. PATENT DOCUMENTS

D329,840 S *	9/1992	Nociar	D13/146
D344,490 S *	2/1994	Nociar	D13/146
5,401,181 A	3/1995	Wilson		
D360,871 S	8/1995	Wilson		
D360,872 S	8/1995	Wilson		
D367,644 S *	3/1996	Fukao	D13/146
D437,828 S	2/2001	Corona		
D439,221 S	3/2001	Corona		
D445,763 S	7/2001	Corona		
D446,186 S	8/2001	Corona		

6,379,169 B1	4/2002	Corona		
6,383,003 B1	5/2002	Corona		
7,300,318 B2 *	11/2007	Deja	H01R 13/639 439/596
D560,168 S *	1/2008	McCoy	D13/133
D560,610 S *	1/2008	McCoy	D13/133
7,390,210 B2	6/2008	Corona		
7,785,123 B2	8/2010	Corona		
D677,629 S	3/2013	Corona		
D678,200 S	3/2013	Corona		
D678,201 S	3/2013	Corona		
D678,202 S	3/2013	Corona		
D678,203 S	3/2013	Corona		
D678,204 S	3/2013	Corona		
D729,169 S	5/2015	Corona		

(Continued)

Primary Examiner — Daniel Bui

(74) *Attorney, Agent, or Firm* — Keusey & Associates,
P.C.

(57) **CLAIM**

The ornamental design for a male electrical connector, as shown and described.

DESCRIPTION

FIG. 1 is a top, front and left side perspective view of a male electrical connector in an unlocked position, showing my new design.

FIG. 2 is a right side elevational view thereof, the left side being a mirror image thereof.

FIG. 3 is a front side elevational view thereof.

FIG. 4 is a back side elevational view thereof.

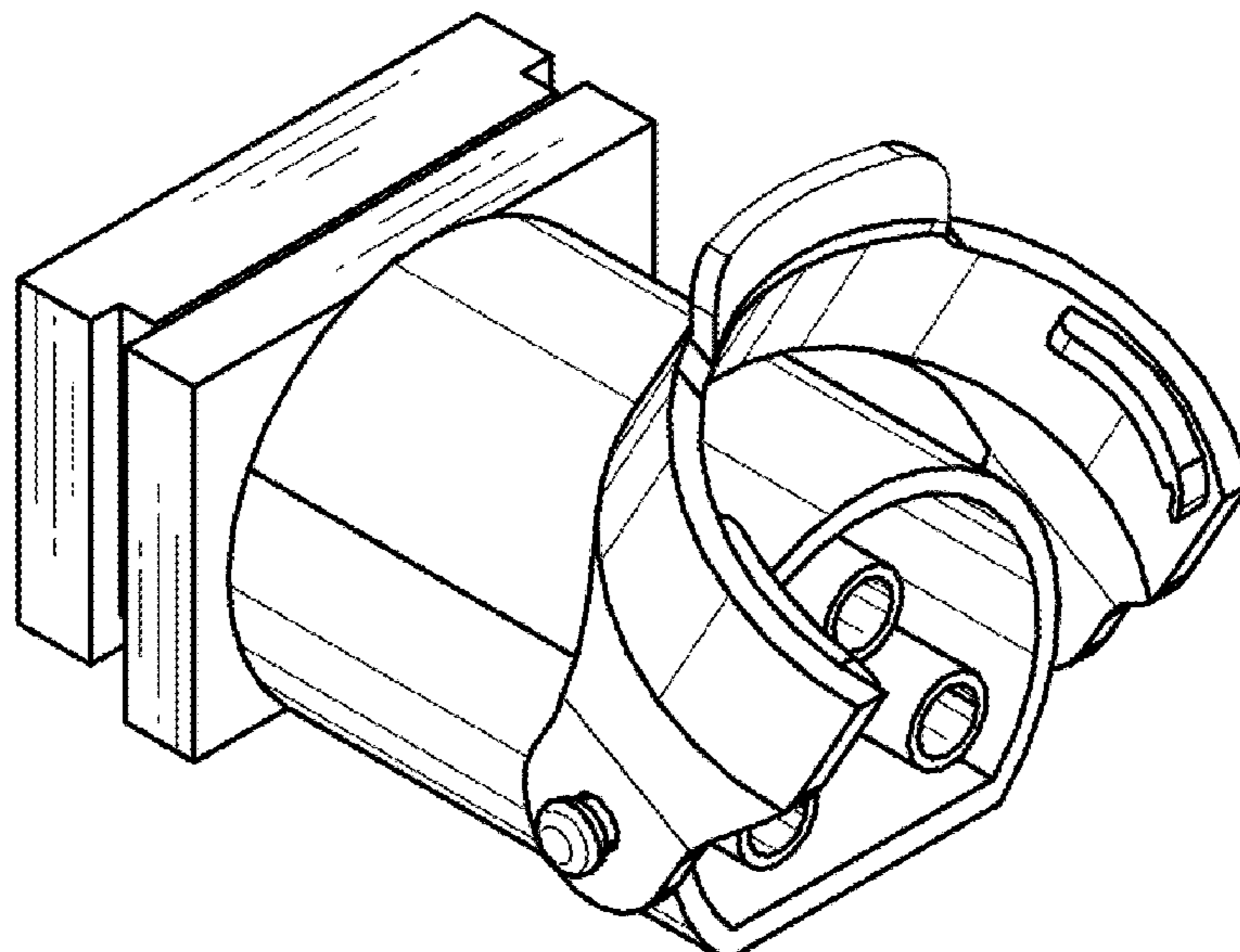
FIG. 5 is a top plan view thereof.

FIG. 6 is a bottom plan view thereof; and,

FIG. 7 is another right side elevational view thereof, in a locked position. The broken line therein represents an unlocked position.

The broken lines in the drawing views represent unclaimed environment only, and form no part of the claimed design.

1 Claim, 2 Drawing Sheets



(56)

References Cited

U.S. PATENT DOCUMENTS

D748,058 S * 1/2016 Corona D13/146
D753,065 S * 4/2016 Corona D13/146

* cited by examiner

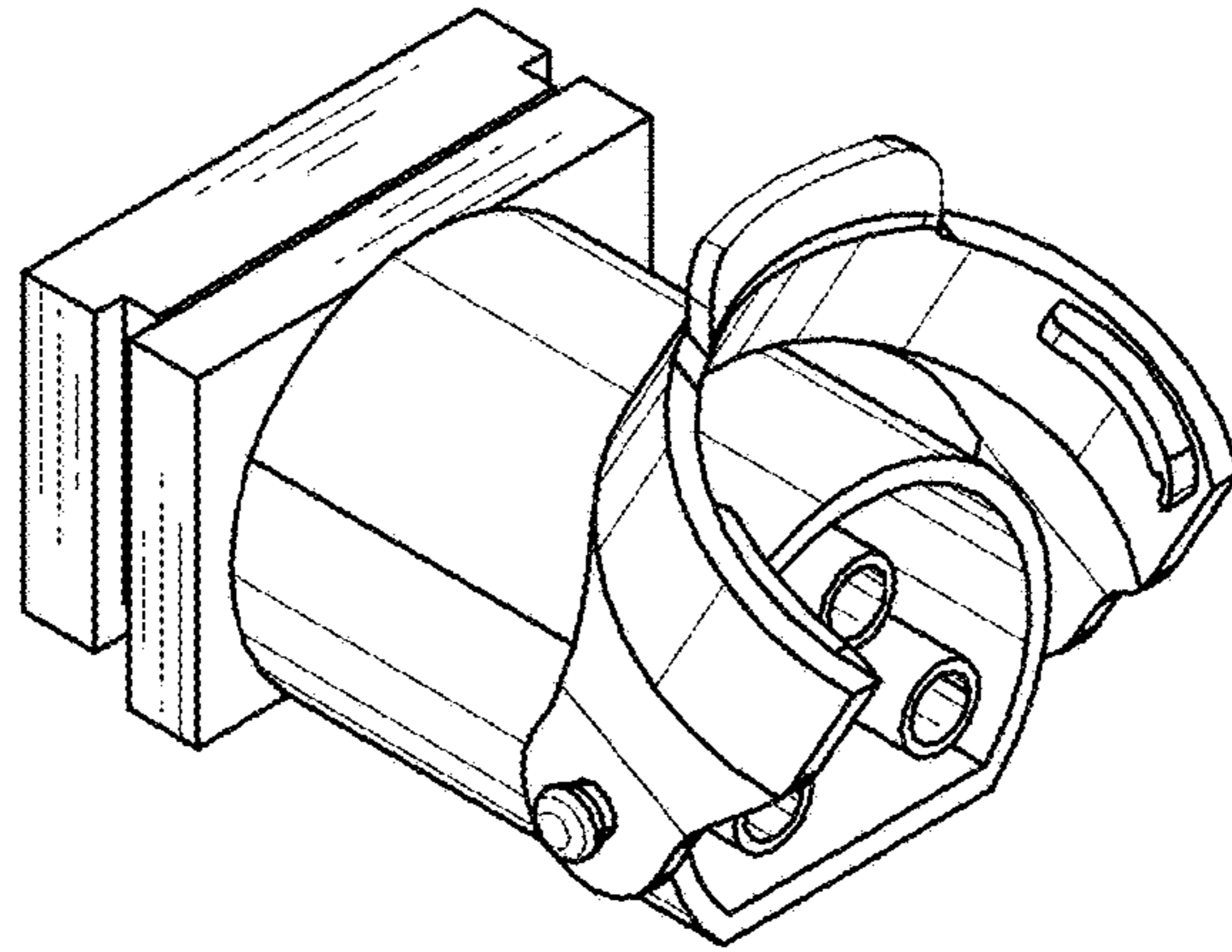


FIG. 1

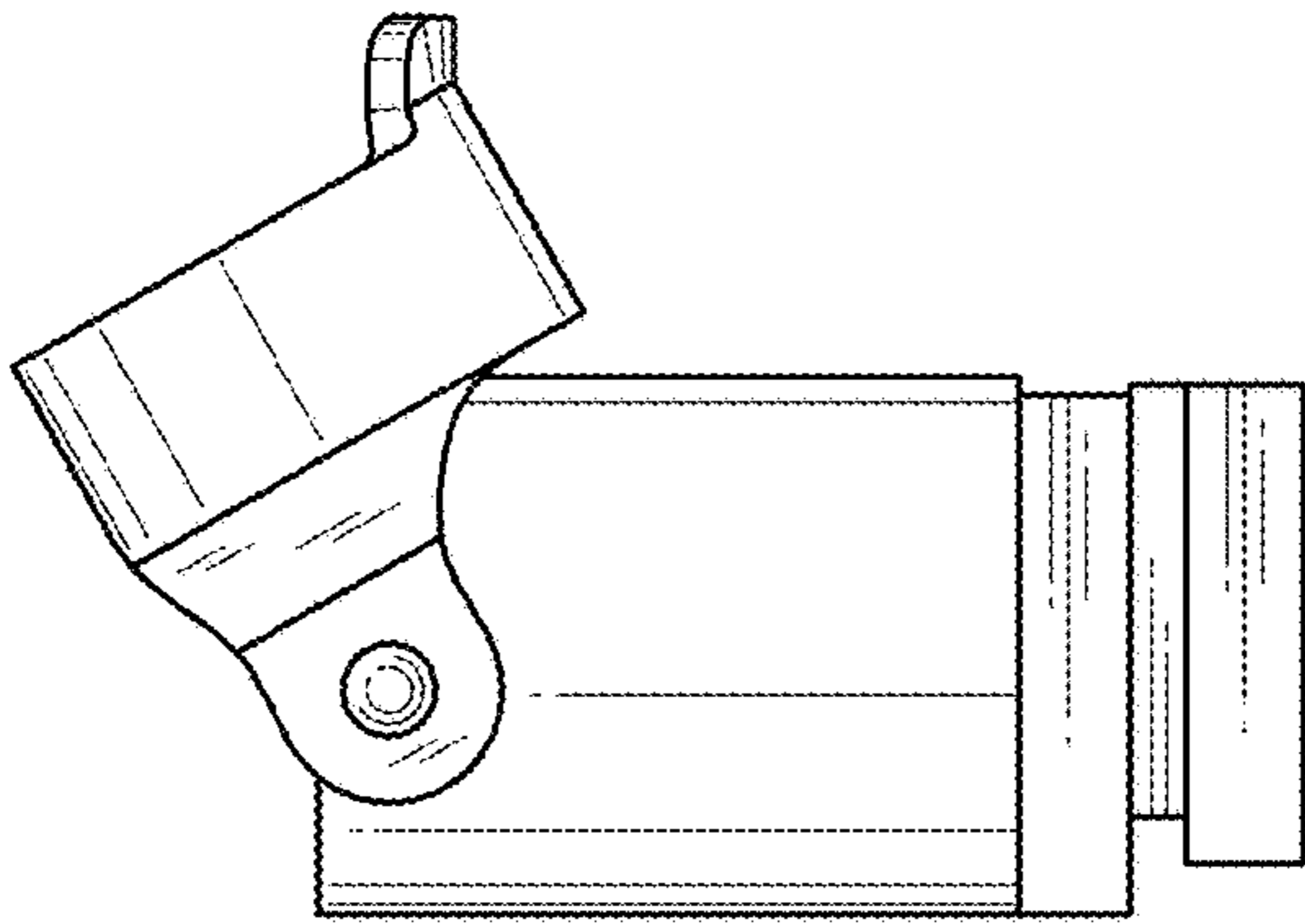


FIG. 2

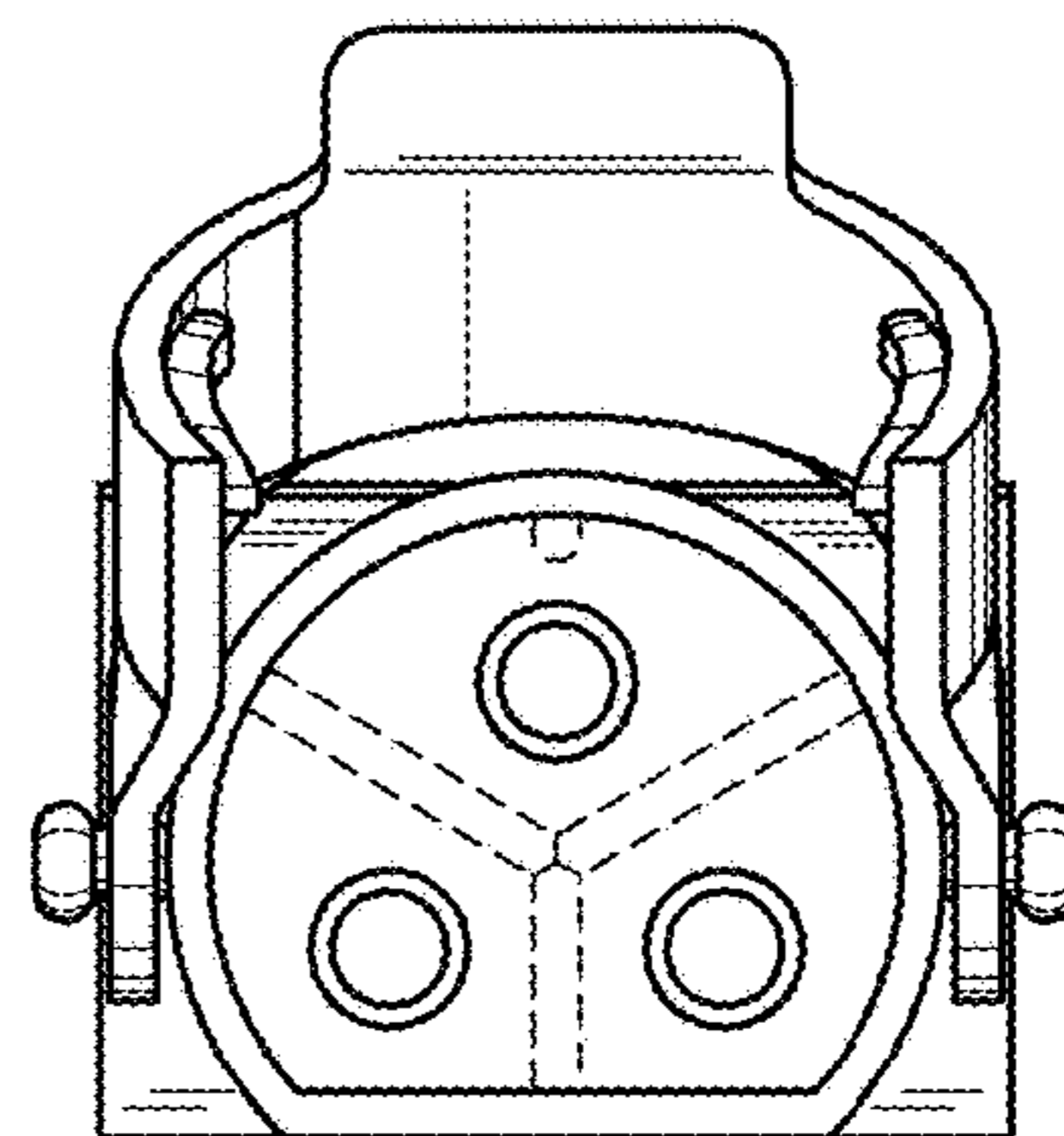


FIG. 3

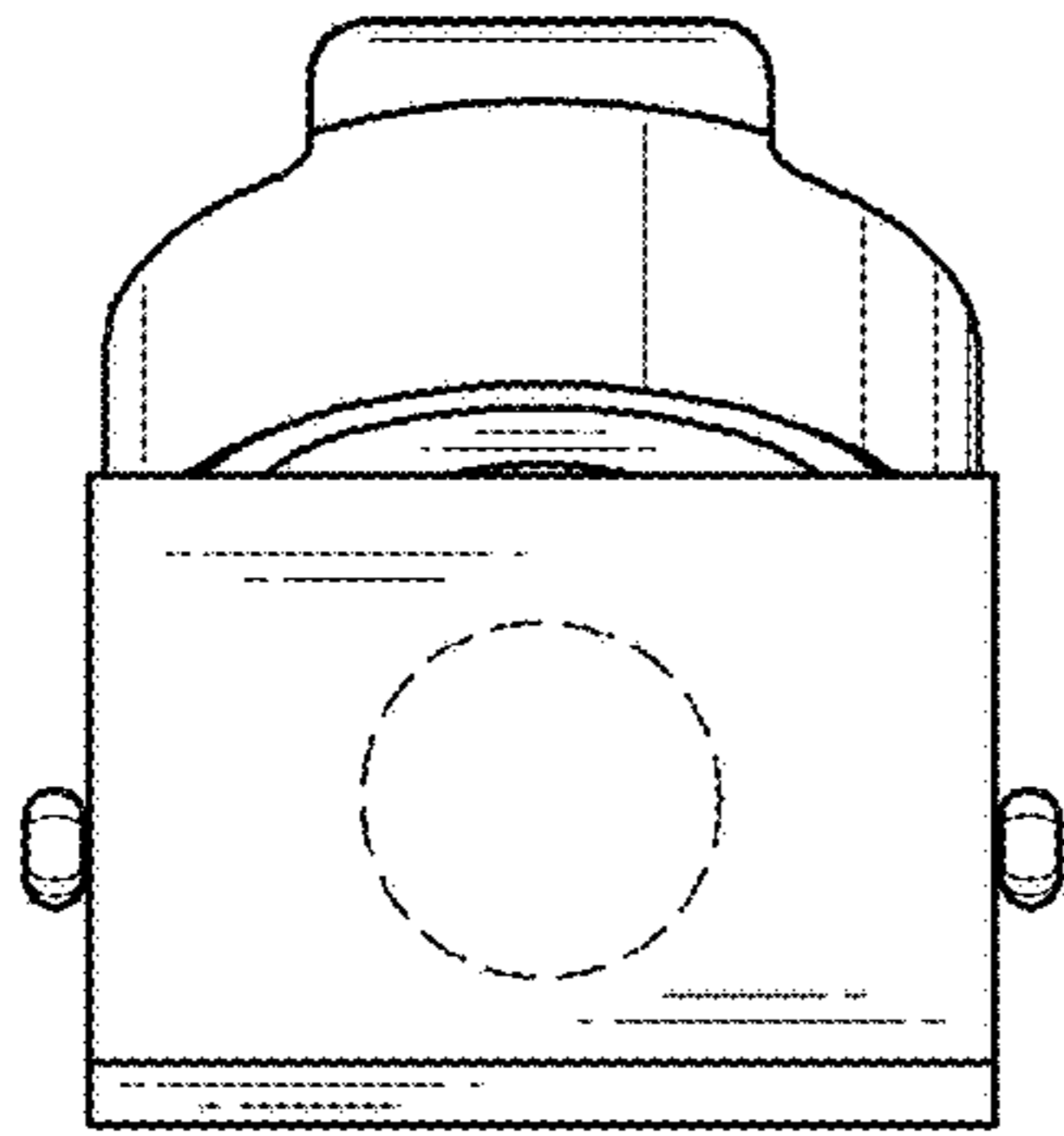


FIG. 4

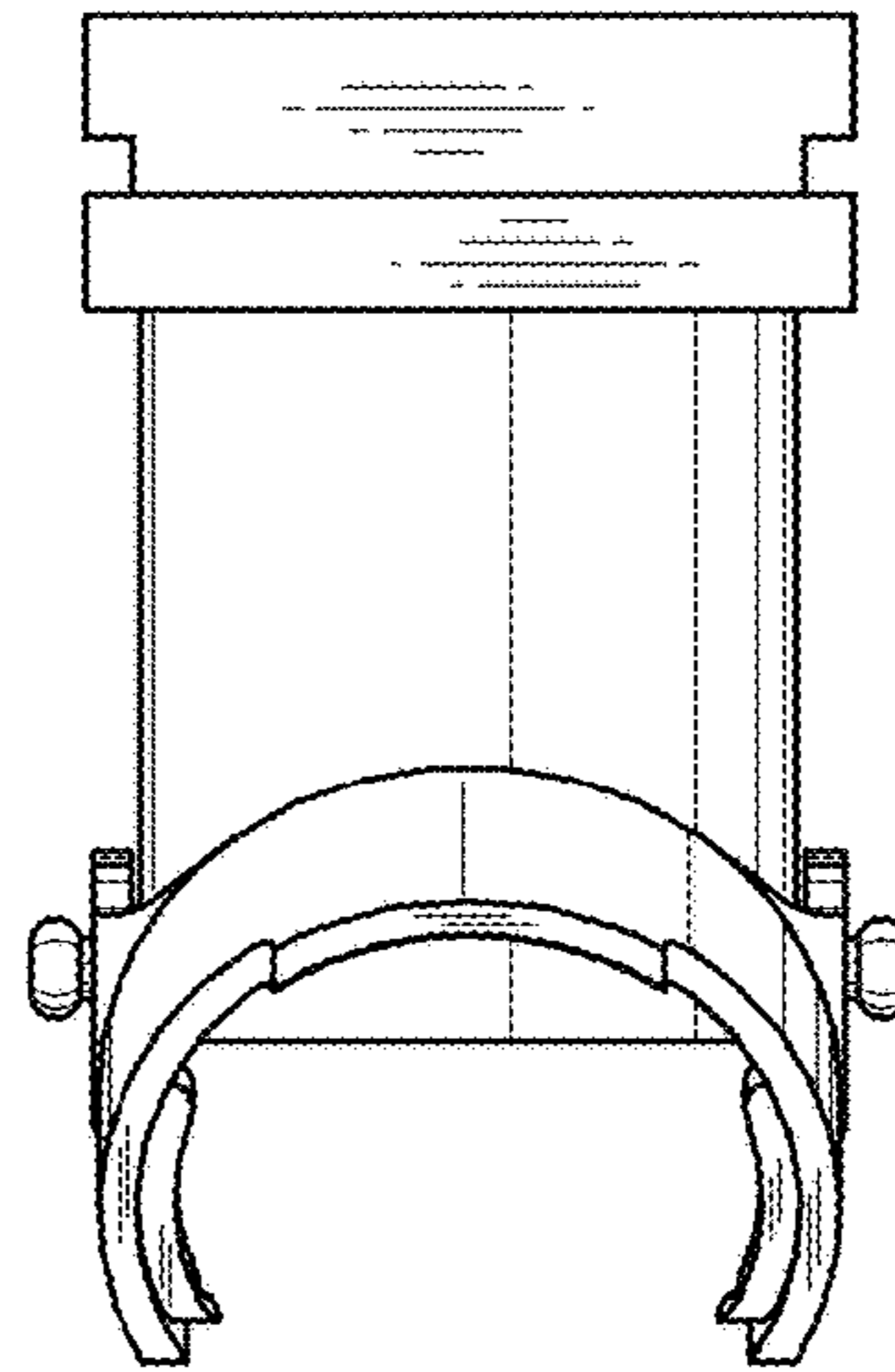


FIG. 5

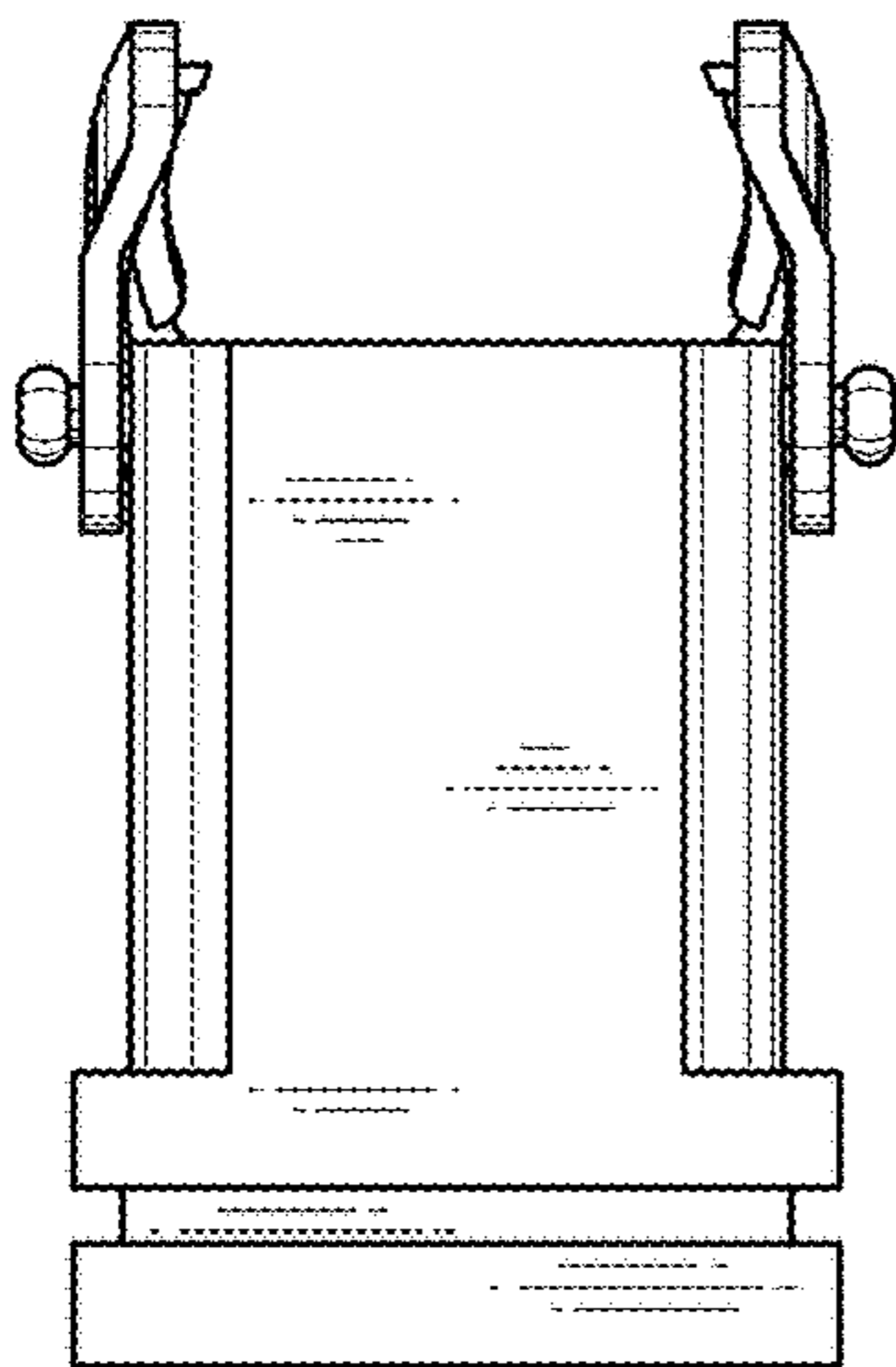


FIG. 6

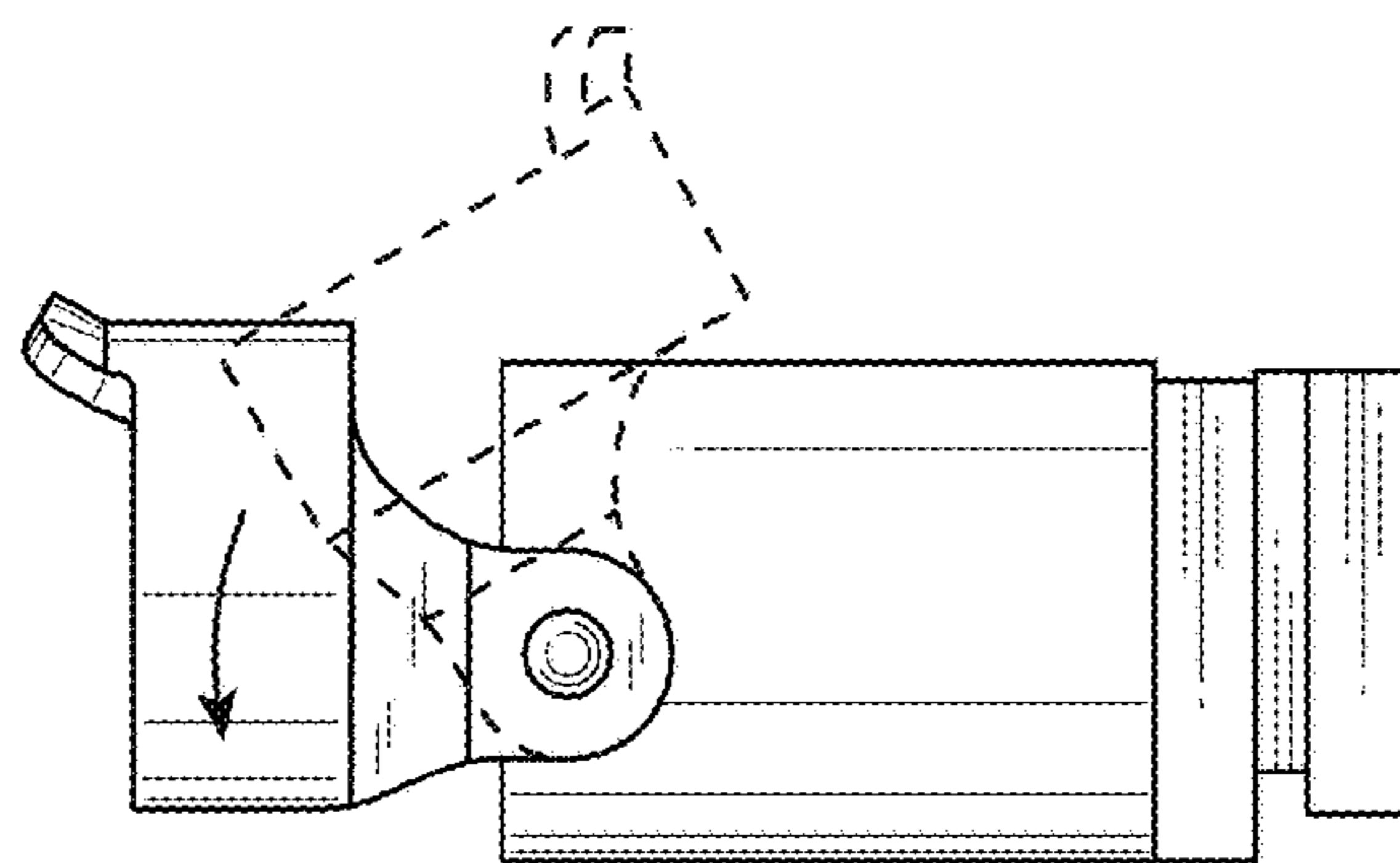


FIG. 7