



US00D794571S

(12) **United States Design Patent** (10) **Patent No.:** **US D794,571 S**
Shanahan (45) **Date of Patent:** **** Aug. 15, 2017**

- (54) **PLUG**
- (71) Applicant: **GenEon Technologies LLC**, San Antonio, TX (US)
- (72) Inventor: **John P. Shanahan**, Discovery Bay, CA (US)
- (73) Assignee: **GENEON TECHNOLOGIES LLC**, San Antonio, TX (US)
- (**) Term: **14 Years**
- (21) Appl. No.: **29/511,136**
- (22) Filed: **Dec. 8, 2014**
- (51) **LOC (10) Cl.** **13-03**
- (52) **U.S. Cl.**
USPC **D13/138.2**
- (58) **Field of Classification Search**
USPC D13/138.2, 137.2, 156, 110, 146, 138.1, D13/133; 439/103, 131, 651; 320/111
CPC H01R 27/00; H01R 31/065; H02J 7/0042
See application file for complete search history.

D640,631 S *	6/2011	Smith	D13/138.1
D676,810 S *	2/2013	Smith	D13/110
D697,481 S *	1/2014	Akana	D13/138.1
D706,220 S *	6/2014	Zaslavsky	D13/137.2
D706,226 S *	6/2014	Auguste	D13/156
D707,626 S *	6/2014	Atkinson	D13/110
D708,148 S *	7/2014	Auguste	D13/156
D708,149 S *	7/2014	Auguste	D13/156
D716,225 S *	10/2014	Akana	D13/110
D740,232 S *	10/2015	Auguste	D13/156
D750,571 S *	3/2016	Auguste	D13/156
D751,039 S *	3/2016	Ptok	D13/138.1
D755,722 S *	5/2016	Sinclair	D13/146
2002/0081906 A1 *	6/2002	Kajiwara	H01R 31/065 439/651
2009/0289596 A1 *	11/2009	McGinley	H02J 7/0042 320/111

* cited by examiner

Primary Examiner — Rhea Shields
(74) *Attorney, Agent, or Firm* — GTC Law Group PC & Affiliates

(57) **CLAIM**

The ornamental design for a plug, as shown and described.

DESCRIPTION

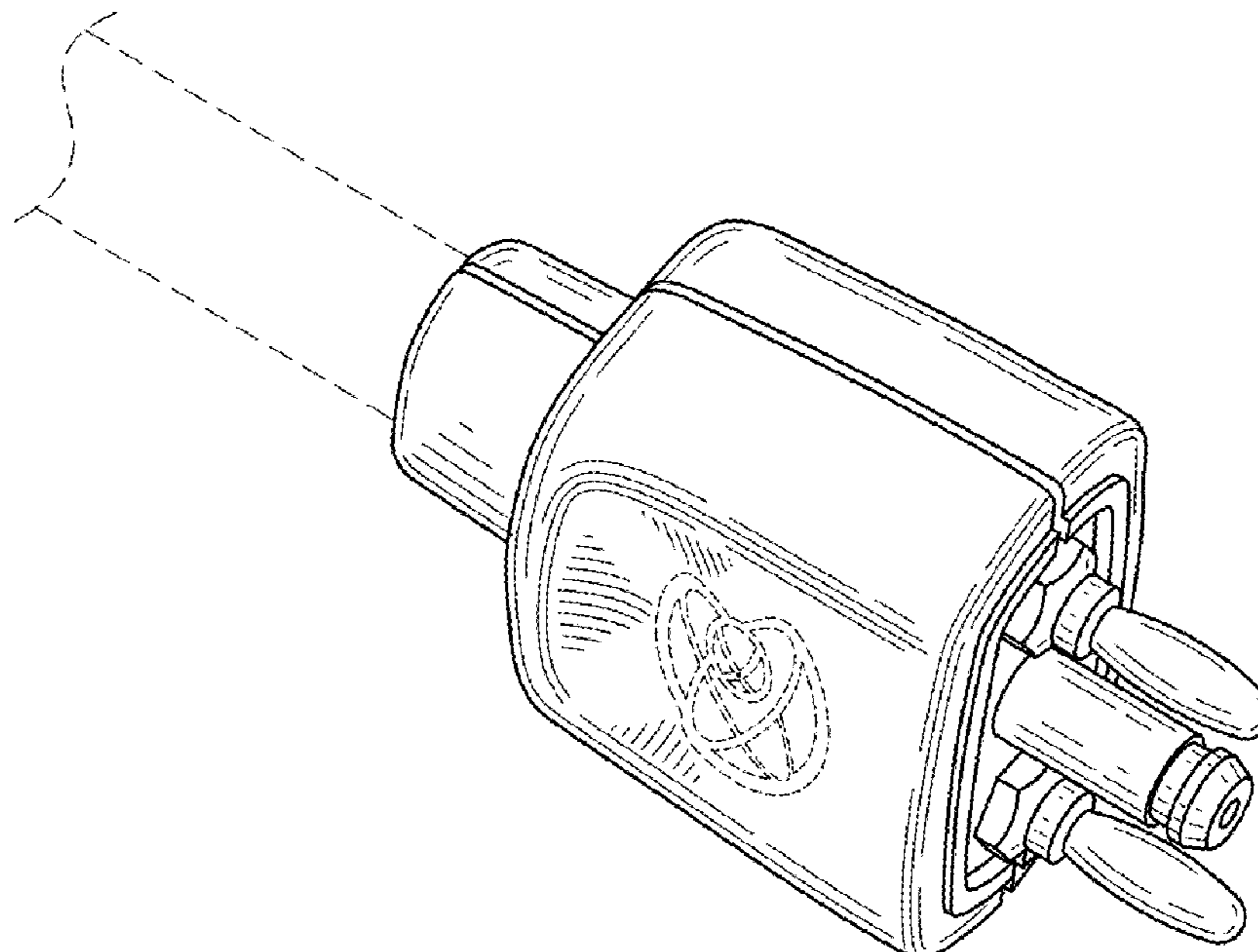
FIG. 1 is a front perspective view of an embodiment of our new design;
FIG. 2 is a right side elevation view thereof,
FIG. 3 is a left side elevation view thereof;
FIG. 4 is a rear elevation view thereof;
FIG. 5 is a front elevation view thereof;
FIG. 6 is a top plan view thereof; and,
FIG. 7 is a bottom plan view thereof.
In the Drawings, the broken lines depict environment only and form no part of the claimed design.

1 Claim, 2 Drawing Sheets

(56) **References Cited**

U.S. PATENT DOCUMENTS

3,495,205 A *	2/1970	Ricci	H01R 27/00 439/103
5,613,863 A *	3/1997	Klaus	H01R 27/00 439/131
6,638,113 B2 *	10/2003	Kajiwara	H01R 31/065 439/131
D615,042 S *	5/2010	Morgan	D13/133
D617,276 S *	6/2010	Fahrendorff	D13/138.1
D617,277 S *	6/2010	Fahrendorff	D13/138.1
D621,781 S *	8/2010	Chang	D13/137.2
D635,920 S *	4/2011	Smith	D13/138.1



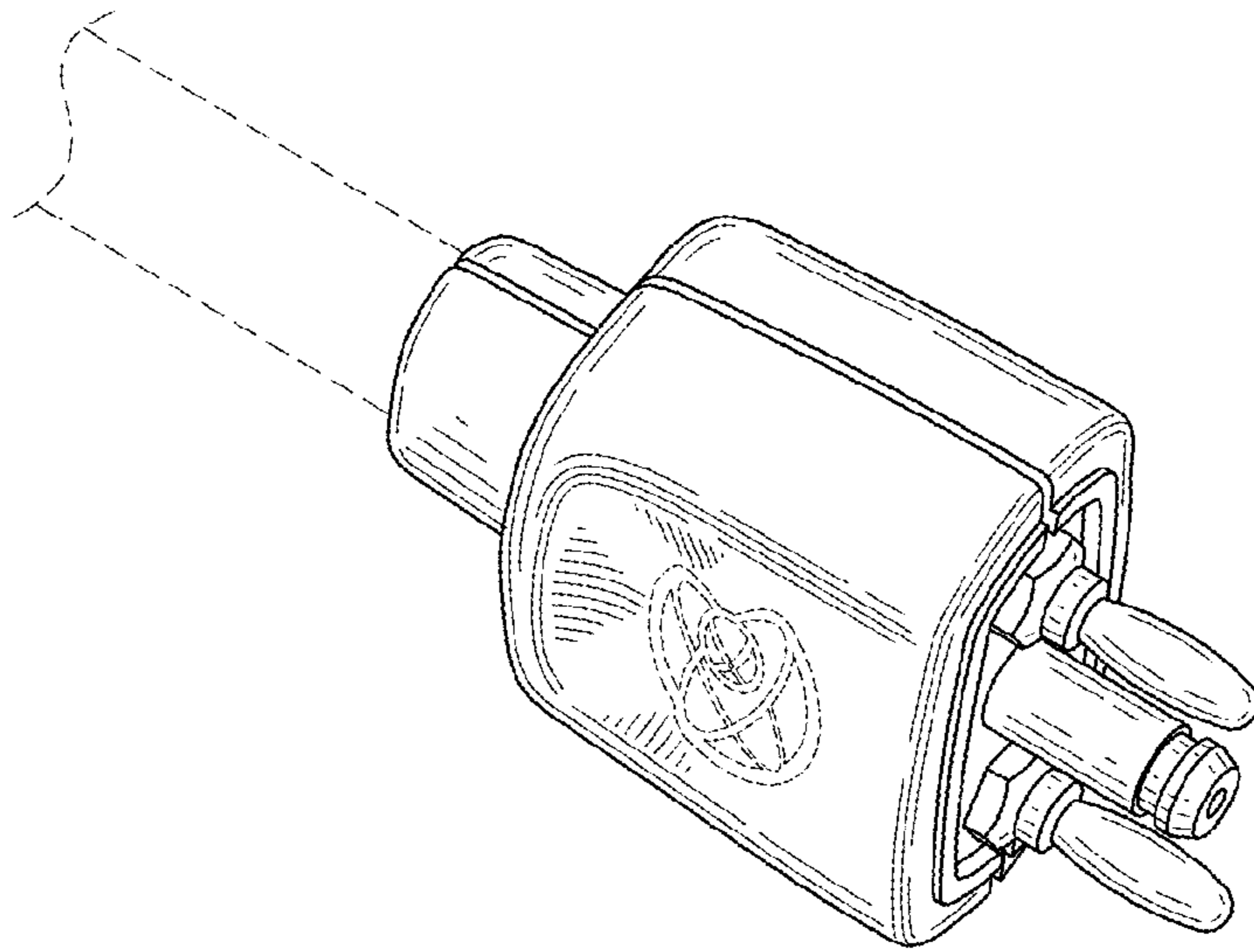


FIG. 1

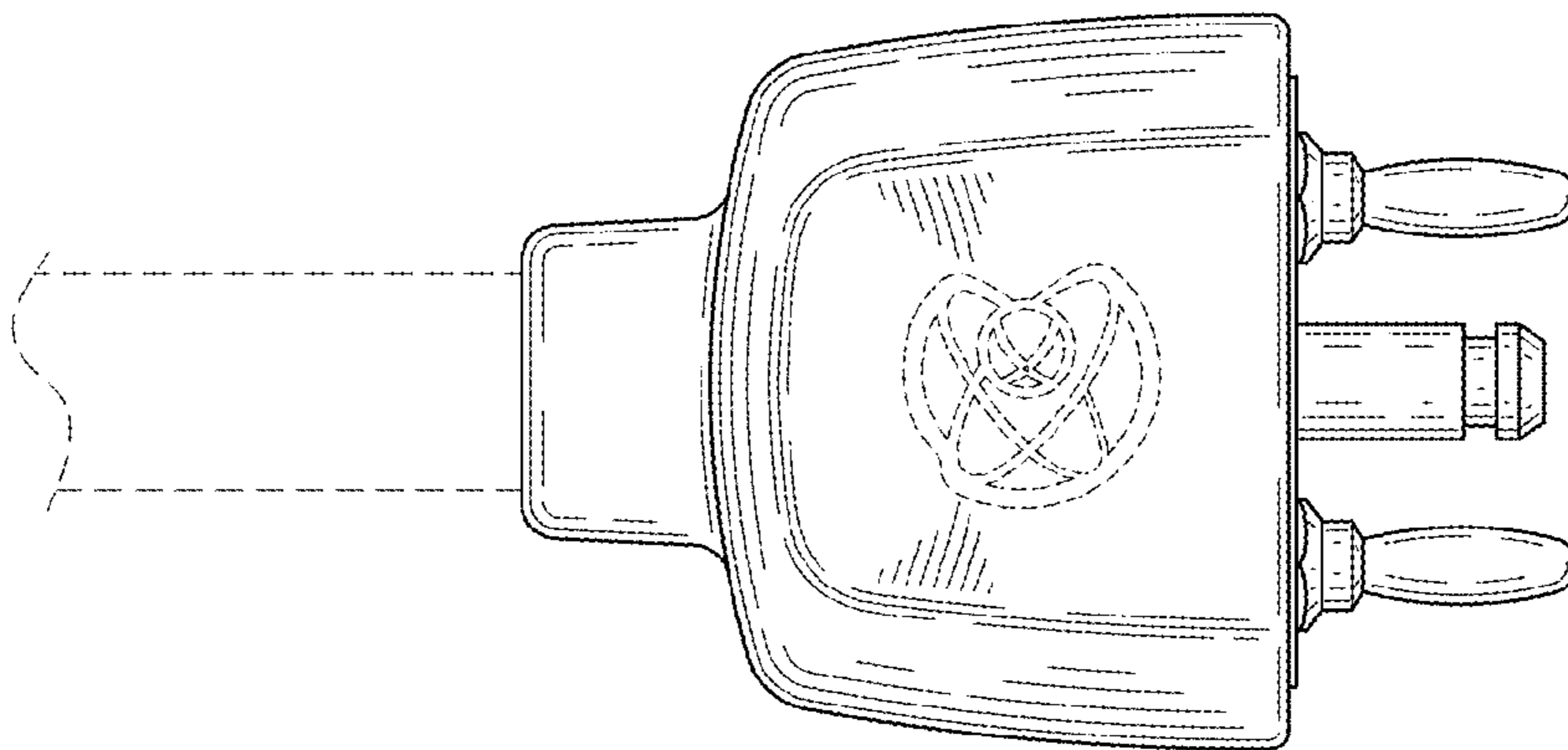


FIG. 2

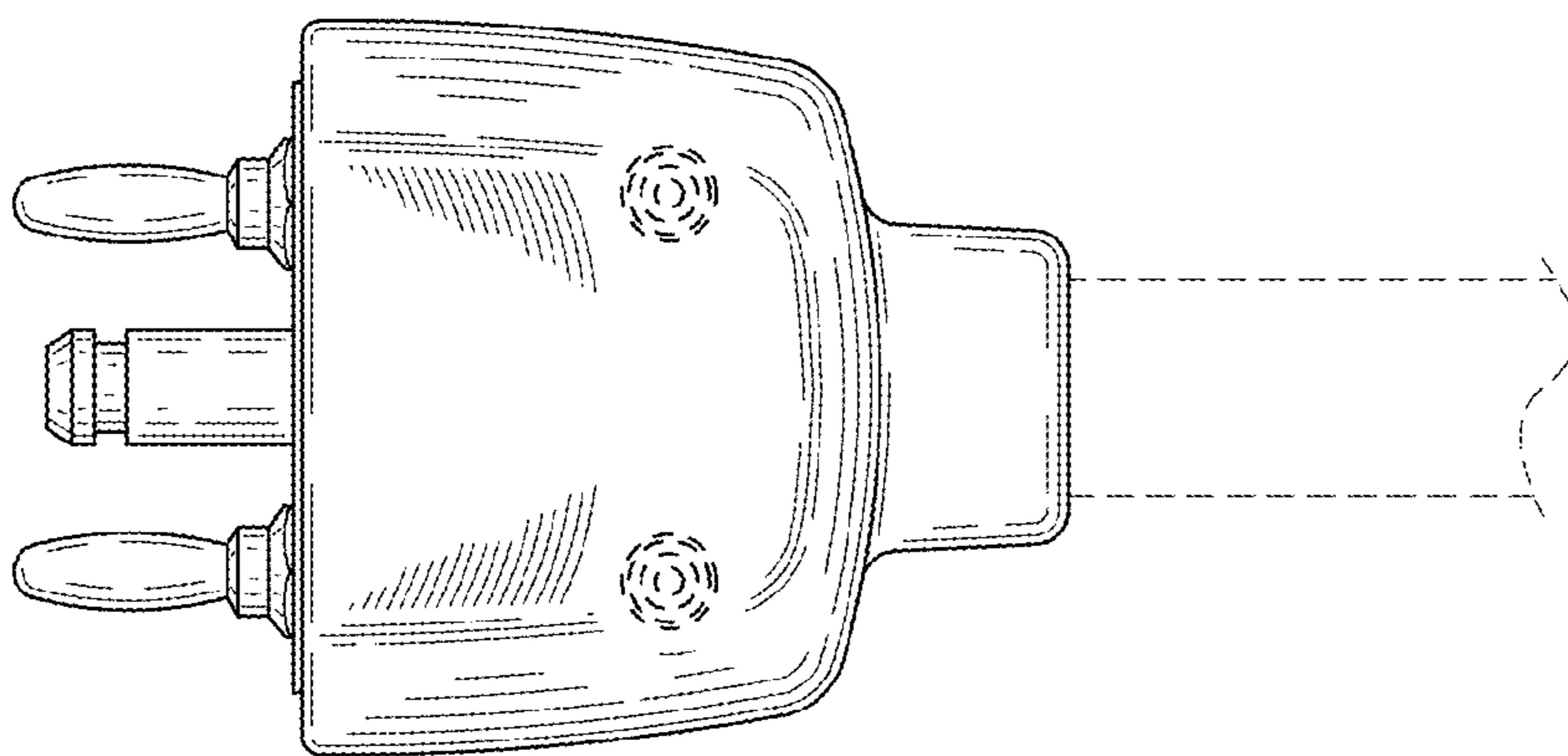


FIG. 3

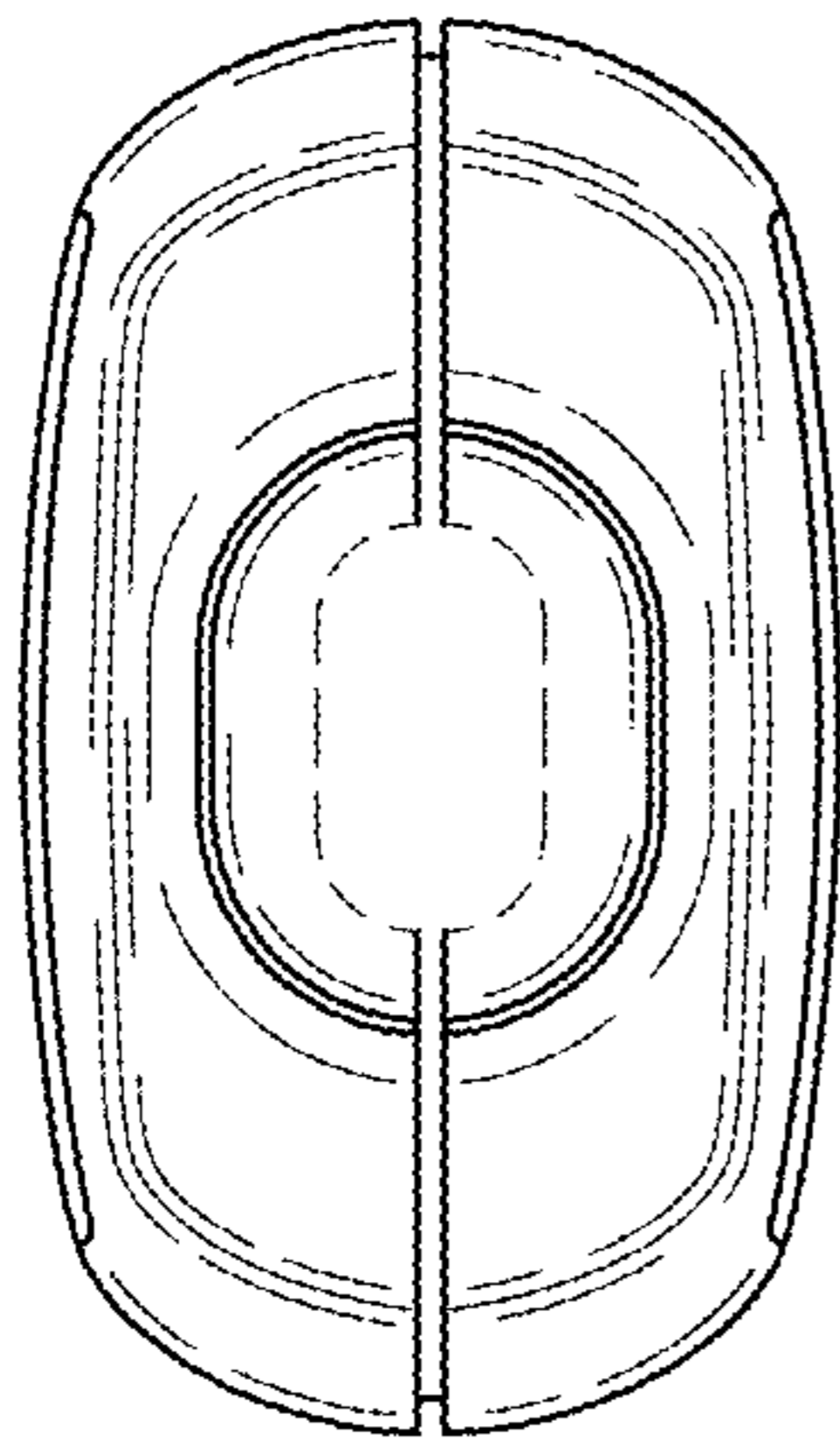


FIG. 4

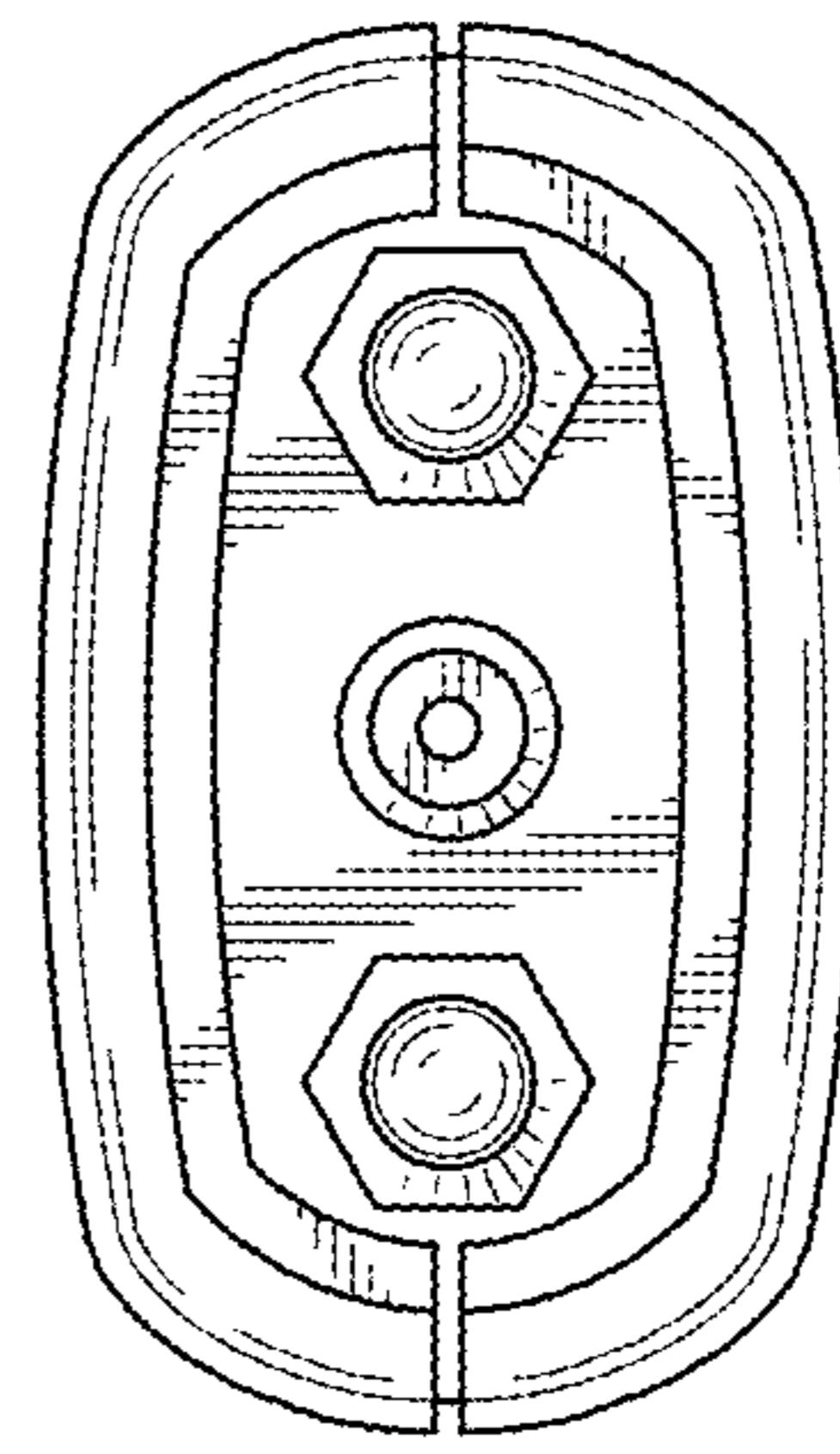


FIG. 5

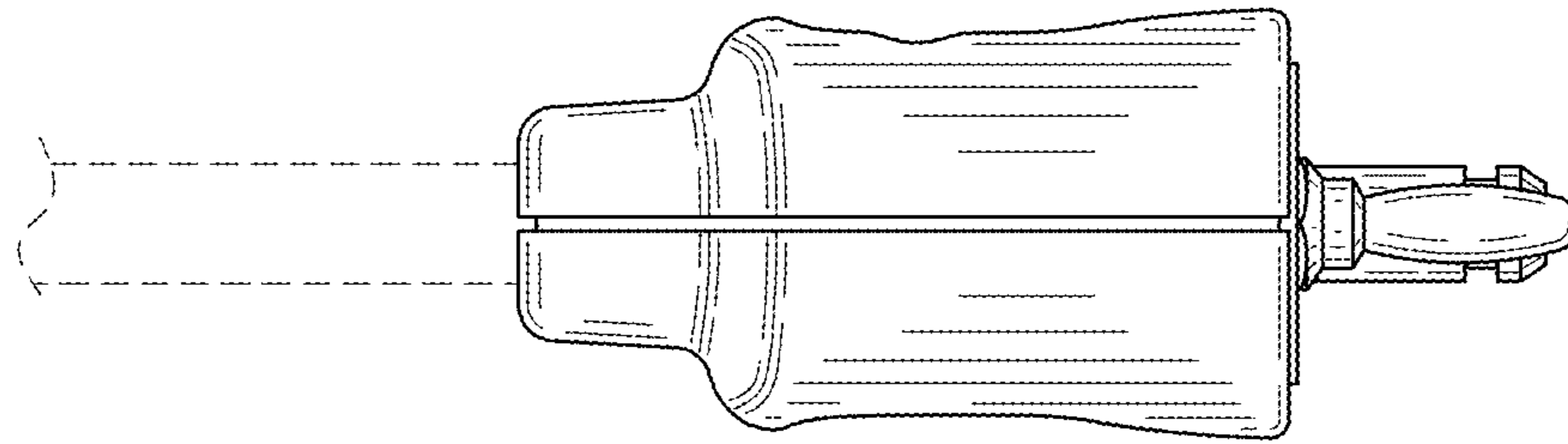


FIG. 6

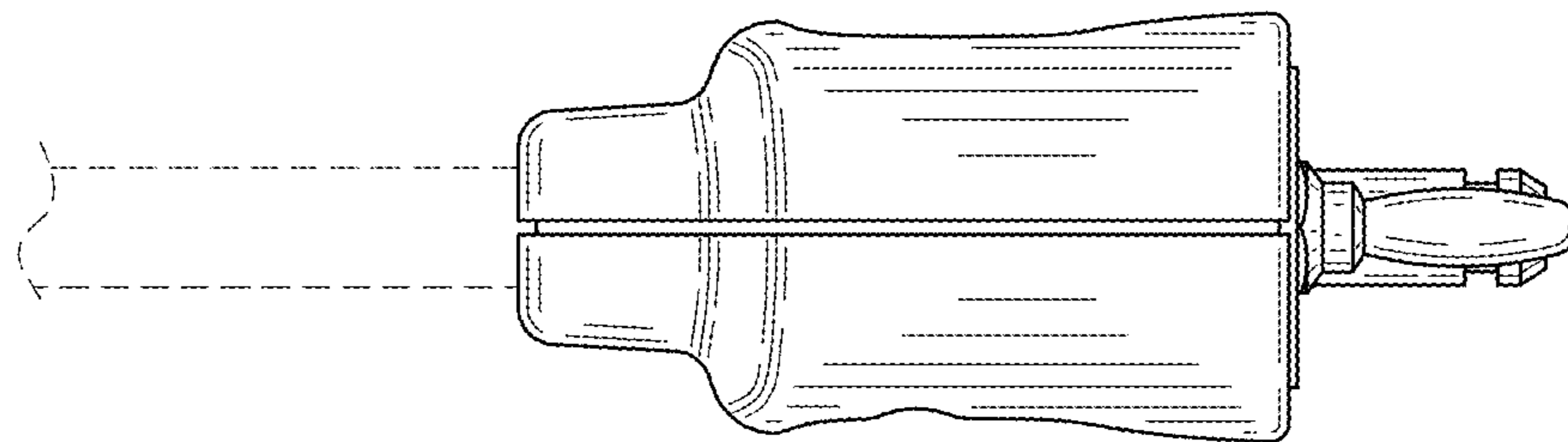


FIG. 7

UNITED STATES PATENT AND TRADEMARK OFFICE
CERTIFICATE OF CORRECTION

PATENT NO. : D794,571 S
APPLICATION NO. : 29/511136
DATED : August 15, 2017
INVENTOR(S) : John P. Shanahan

Page 1 of 1

It is certified that error appears in the above-identified patent and that said Letters Patent is hereby corrected as shown below:

On the Title Page

In Column 2, in description, Line 3, delete "thereof," and insert -- thereof; --, therefor.

Signed and Sealed this
Sixth Day of February, 2018



Joseph Matal

*Performing the Functions and Duties of the
Under Secretary of Commerce for Intellectual Property and
Director of the United States Patent and Trademark Office*