



US00D794568S

(12) **United States Design Patent**
Wardenburg

(10) **Patent No.:** **US D794,568 S**

(45) **Date of Patent:** **** Aug. 15, 2017**

(54) **HEAT MAT CORD STRAIN RELIEF DEVICE**

(71) Applicant: **HYDROFARM, INC.**, Petaluma, CA (US)

(72) Inventor: **Peter Wardenburg**, Novato, CA (US)

(73) Assignee: **Hydrofarm, LLC**, Petaluma, CA (US)

(**) Term: **15 Years**

(21) Appl. No.: **29/555,295**

(22) Filed: **Feb. 19, 2016**

(51) **LOC (10) Cl.** **13-03**

(52) **U.S. Cl.**
USPC **D13/133**

(58) **Field of Classification Search**

USPC D13/118, 120, 123, 133–135, 145–147,
D13/149, 151, 153, 157, 173, 184, 199
CPC ... G02B 6/00; G02B 6/12; G02B 6/26; G02B
6/38; G02B 6/44; H01R 9/03; H01R
9/05; H01R 4/24; H01R 13/00; H01R
13/04; H01R 13/54; H01R 13/58; H01R
13/62; H01R 13/64; H01R 24/00; H01R
33/00

See application file for complete search history.

(56) **References Cited**

U.S. PATENT DOCUMENTS

2,360,084 A * 10/1944 Taylor H05B 3/342
219/212
D330,538 S * 10/1992 Meyer D13/133
5,277,627 A * 1/1994 Matsuzaki H01R 23/10
439/353
D357,898 S * 5/1995 Richards D13/133
D368,696 S * 4/1996 Nagele D13/133
6,089,896 A * 7/2000 Kosmala H01R 13/6275
439/329
D475,682 S * 6/2003 Li D13/133
6,712,634 B1 * 3/2004 McClinton H01R 12/88
438/259

D575,236 S * 8/2008 Tago D13/147
7,686,625 B1 * 3/2010 Dyer H01R 4/64
439/857
8,376,759 B2 * 2/2013 Debock H01R 12/775
439/37
9,223,094 B2 * 12/2015 Schneider G02B 6/3885

(Continued)

Primary Examiner — Thomas Johannes

Assistant Examiner — Shawn T Gingrich

(74) *Attorney, Agent, or Firm* — Craig M. Stainbrook;
Stainbrook & Stainbrook, LLP

(57) **CLAIM**

The ornamental design for a heat mat cord strain relief device, as shown and described.

DESCRIPTION

FIG. 1 is a top front right view of a heat mat cord strain relief device shown in an environment of use;

FIG. 2 is an alternate top front right view of a heat mat cord strain relief device;

FIG. 3 is a bottom front left view of a heat mat cord strain relief device shown in an environment of use;

FIG. 4 is an alternate bottom front left view of a heat mat cord strain relief device;

FIG. 5 is a top plan view of a heat mat cord strain relief device;

FIG. 6 is a right side elevational view of a heat mat cord strain relief device;

FIG. 7 is a bottom plan view of a heat mat cord strain relief device;

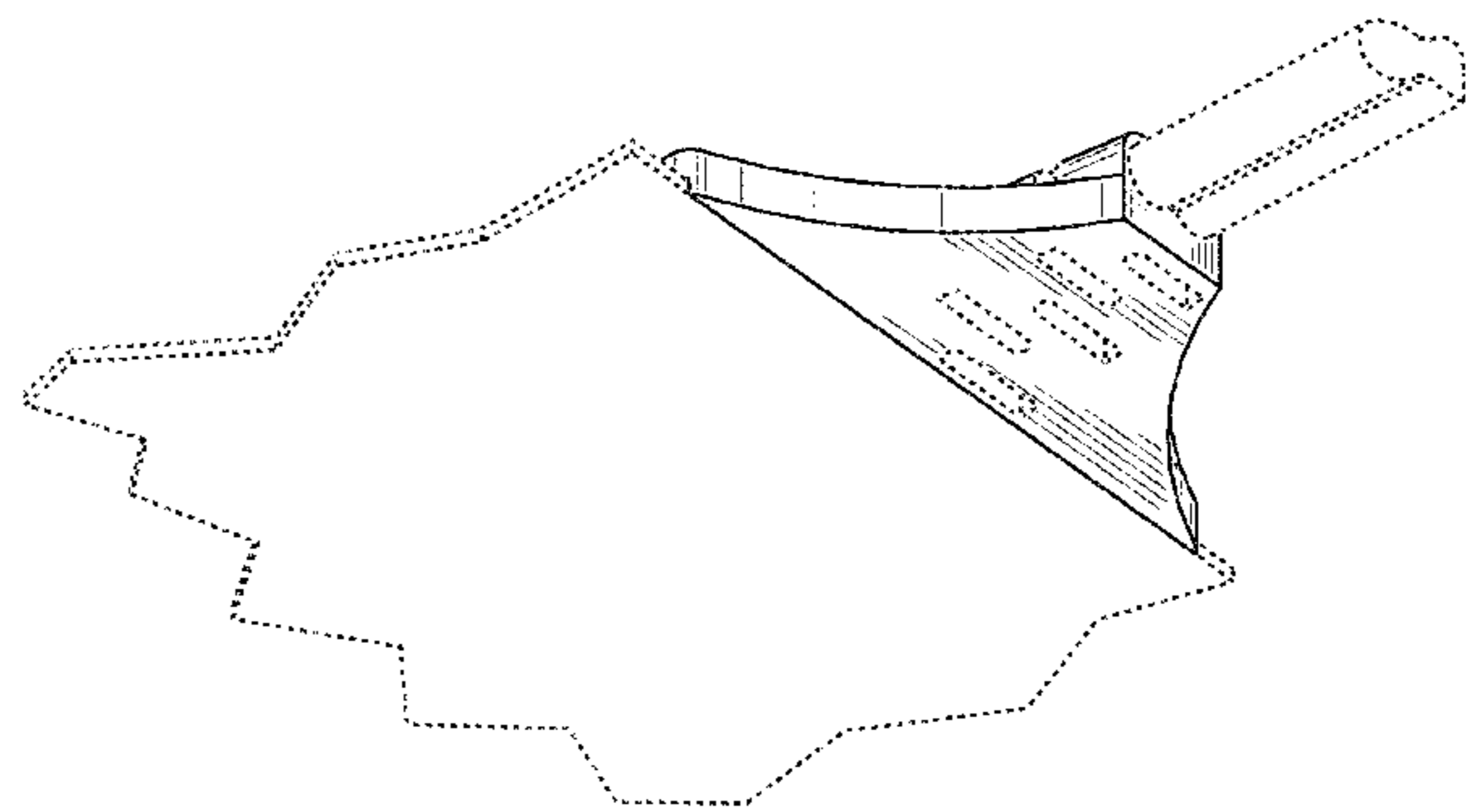
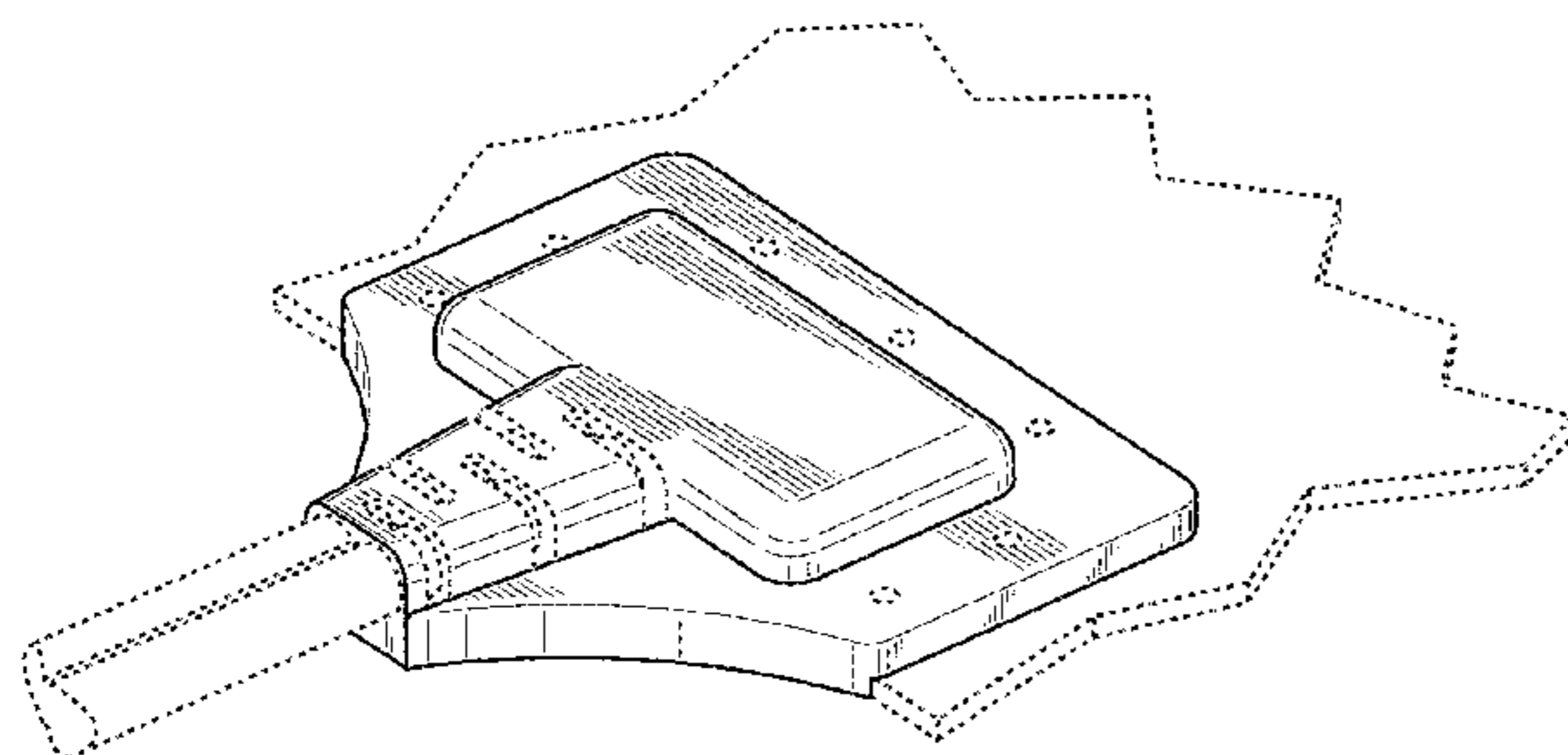
FIG. 8 is a left side elevational view of a heat mat cord strain relief device;

FIG. 9 is a front elevational view of a heat mat cord strain relief device; and,

FIG. 10 is a rear elevational view of a heat mat cord strain relief device.

Dashed lines represent unclaimed environment and form no part of the claimed design.

1 Claim, 4 Drawing Sheets



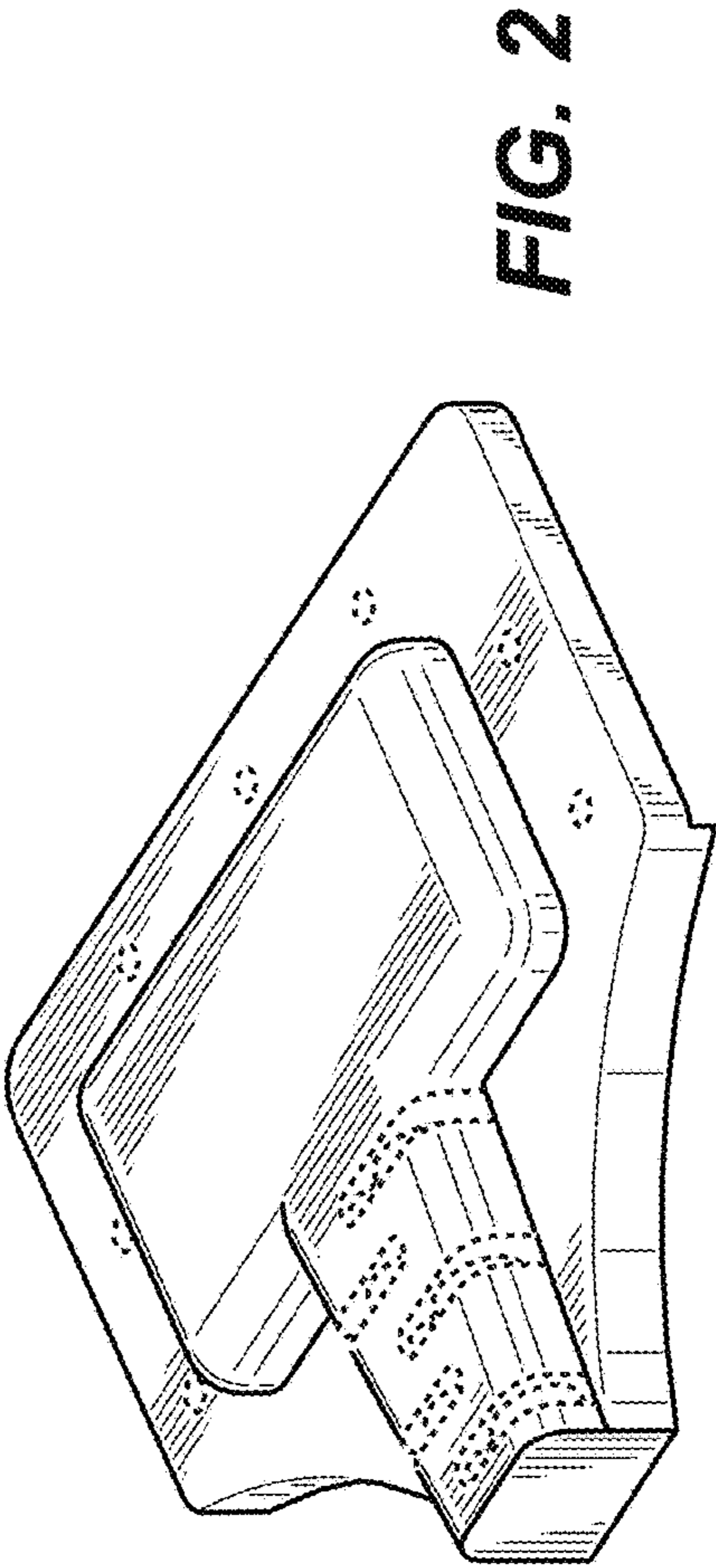
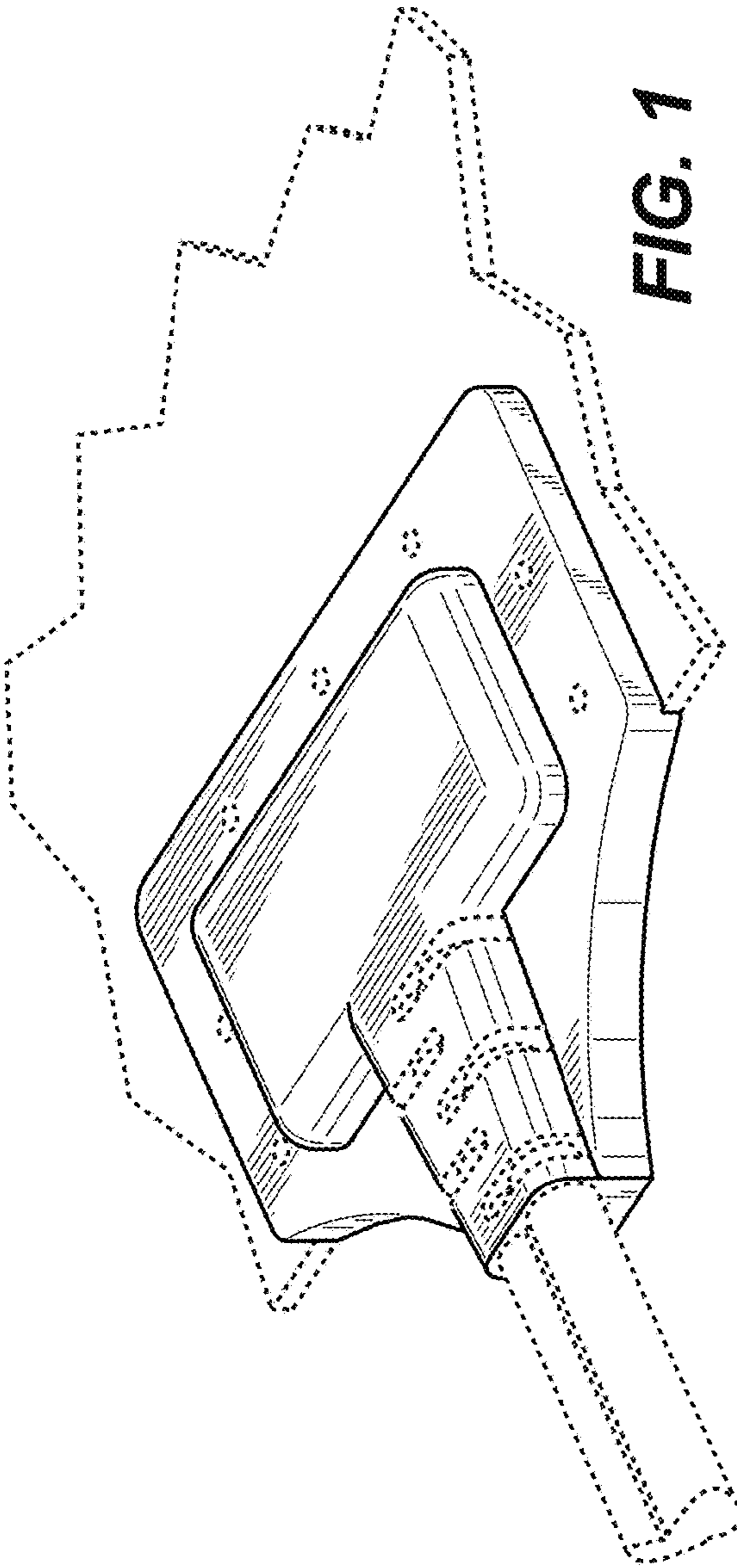
(56)

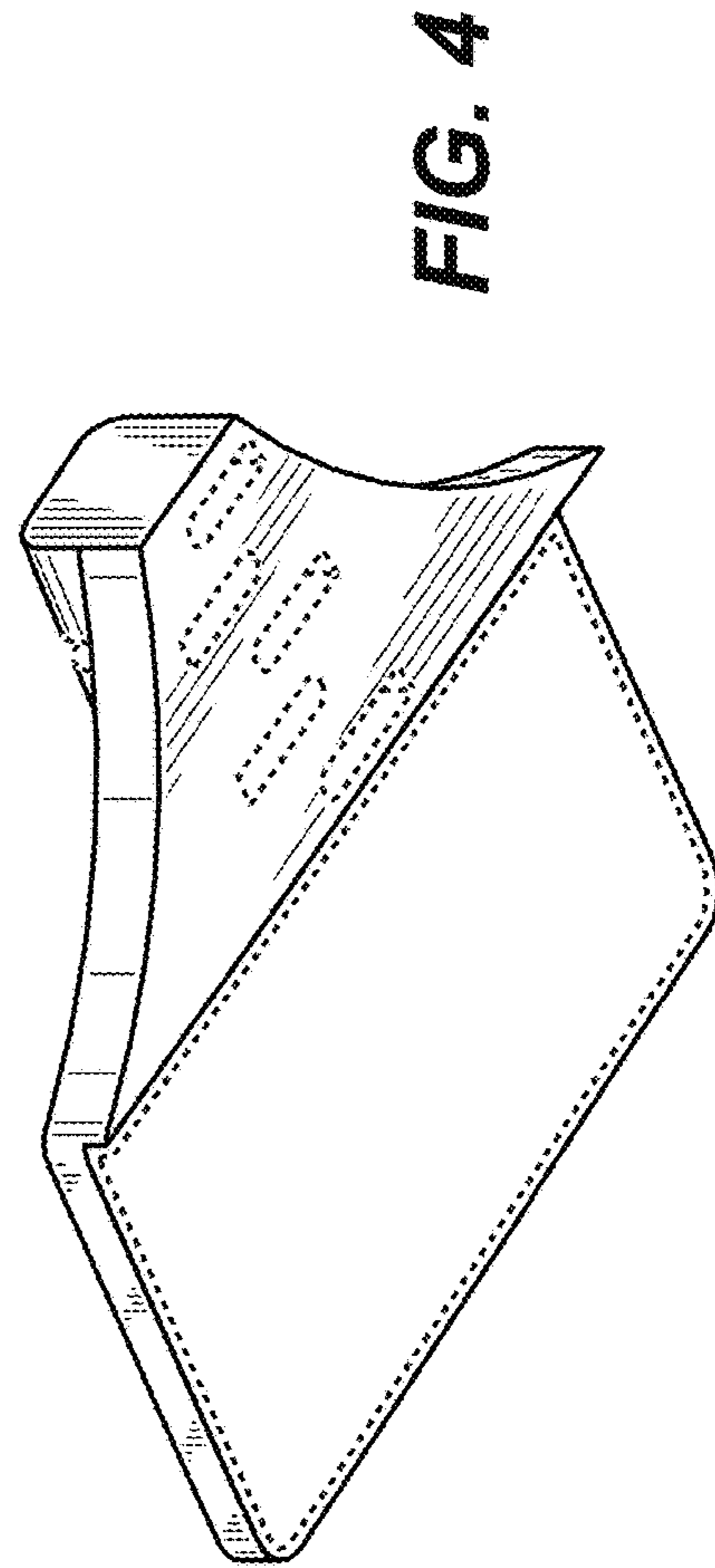
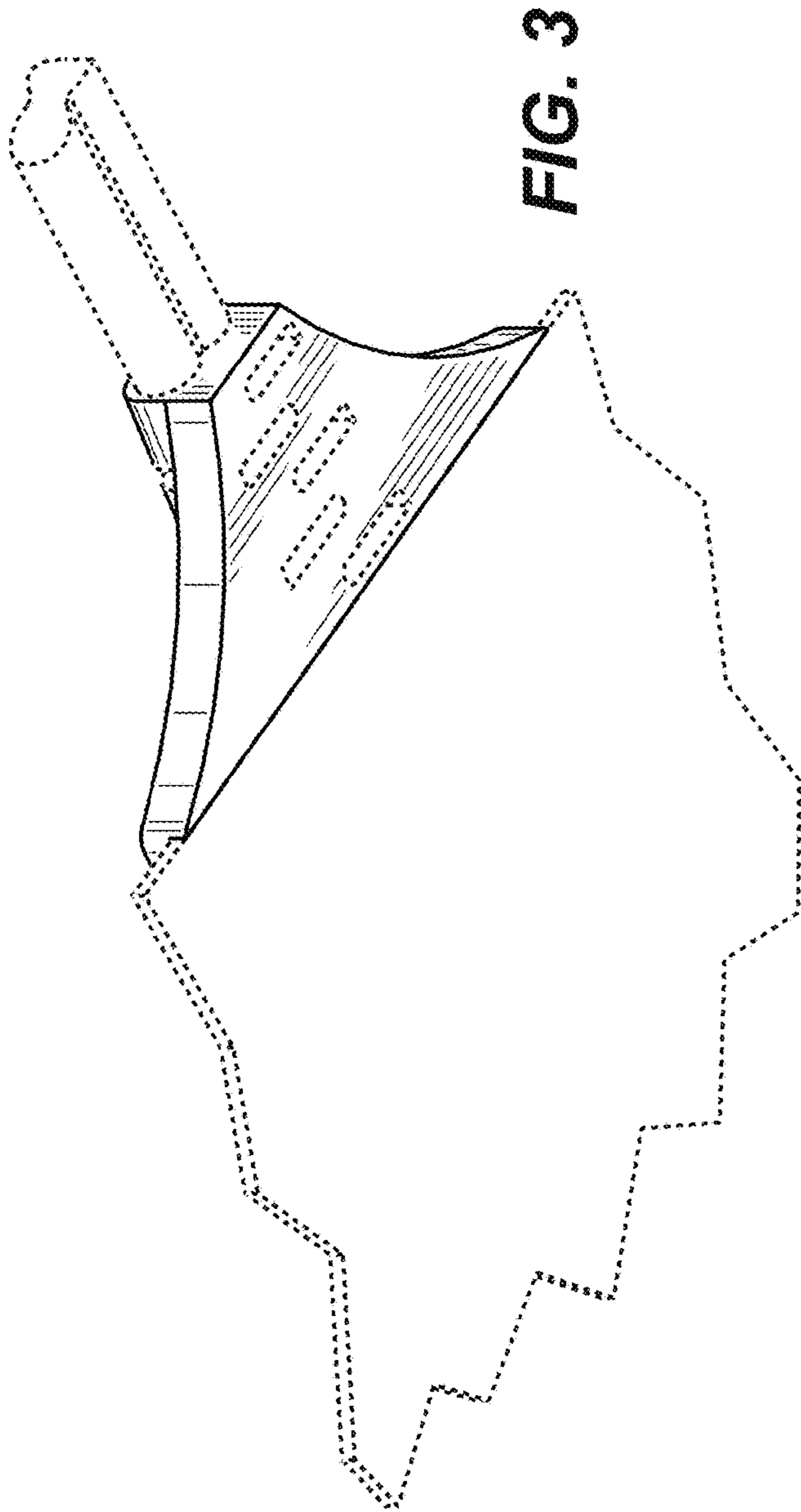
References Cited

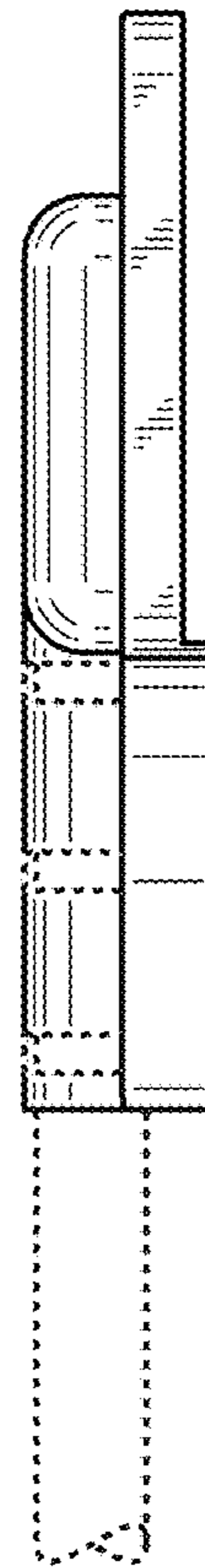
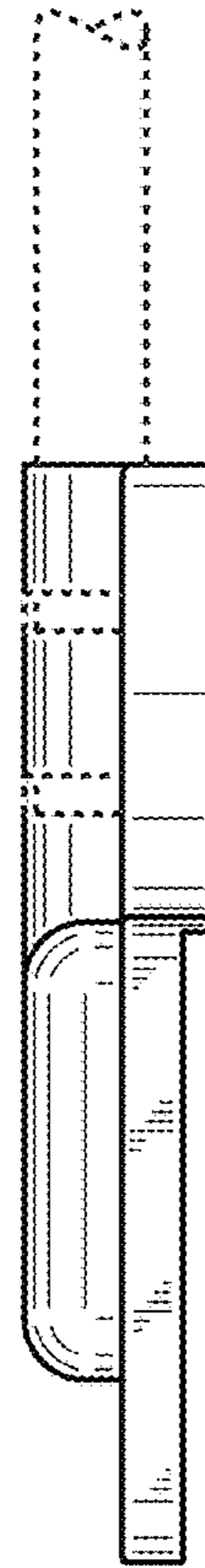
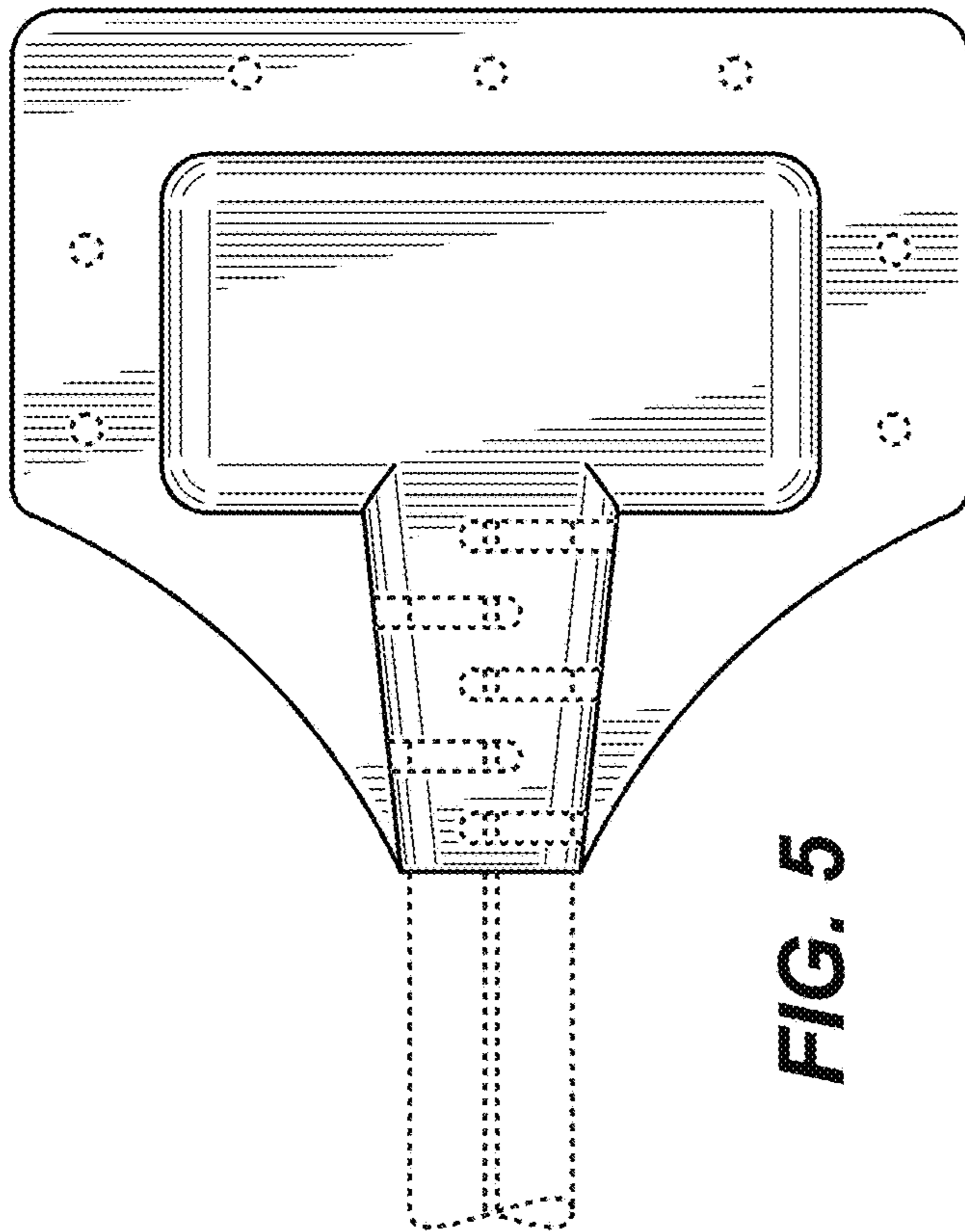
U.S. PATENT DOCUMENTS

2009/0148107 A1* 6/2009 Hashiguchi H01R 13/7172
385/92

* cited by examiner







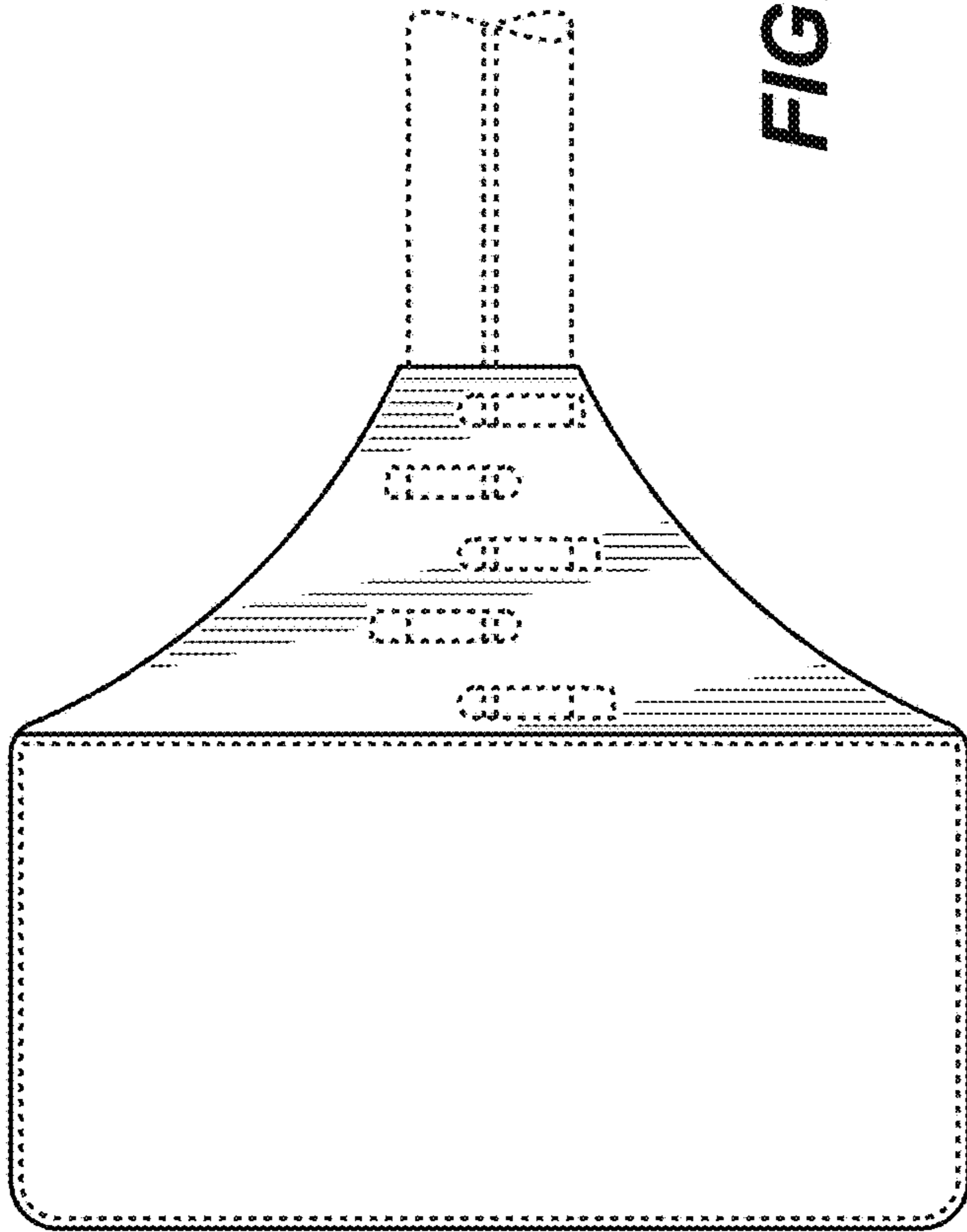


FIG. 7

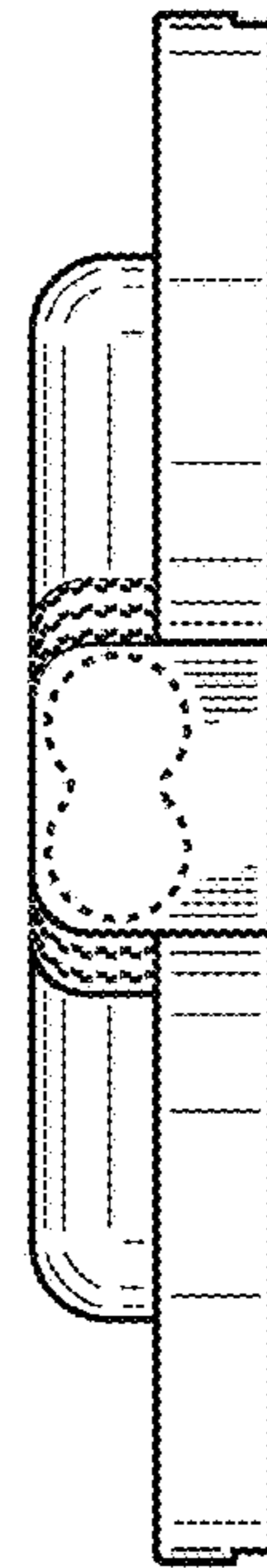


FIG. 9

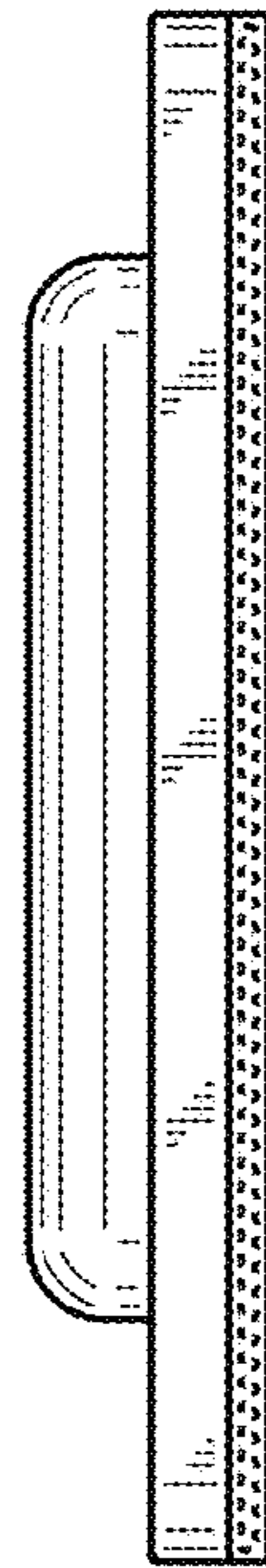


FIG. 10