

US00D794564S

(12) **United States Design Patent**
Graefe

(10) **Patent No.:** **US D794,564 S**

(45) **Date of Patent:** **** Aug. 15, 2017**

(54) **WIND TURBINE WITH A UNIBODY UP-TILT FURLING**

2009/0081020 A1* 3/2009 Caldwell F03D 3/002
415/4.1

* cited by examiner

(71) Applicant: **Ron Graefe**, Lancaster, CA (US)

Primary Examiner — Daniel Bui

(72) Inventor: **Ron Graefe**, Lancaster, CA (US)

Assistant Examiner — Andrew Kerr

(**) Term: **15 Years**

(74) *Attorney, Agent, or Firm* — QuickPatents, LLC;
Kevin Prince

(21) Appl. No.: **29/559,290**

(57) **CLAIM**

(22) Filed: **Mar. 25, 2016**

I claim the ornamental design for a wind turbine with a unibody up-tilt furling, as shown and described.

(51) **LOC (10) Cl.** **13-01**

DESCRIPTION

(52) **U.S. Cl.**

USPC **D13/115**

(58) **Field of Classification Search**

USPC D13/115; D21/455, 458; 290/55;
415/4.1, 4.2

CPC F03D 7/0208; F03D 3/002; F03B 13/00;
F03B 1/00; F05B 2240/21; F05B
2240/221

See application file for complete search history.

FIG. 1 is a bottom perspective view of a wind turbine with a unibody up-tilt furling showing my new design, in use condition;

FIG. 2 is a bottom perspective view thereof;

FIG. 3 is a front elevational view of FIG. 2;

FIG. 4 is a rear elevational view of FIG. 2;

FIG. 5 is a right-side elevational view of FIG. 2;

FIG. 6 is a left-side elevational view of FIG. 2;

FIG. 7 is a top plan view of FIG. 2;

FIG. 8 is a bottom plan view of FIG. 2; and,

FIG. 9 is a top perspective view thereof, illustrated in a tilted-up position.

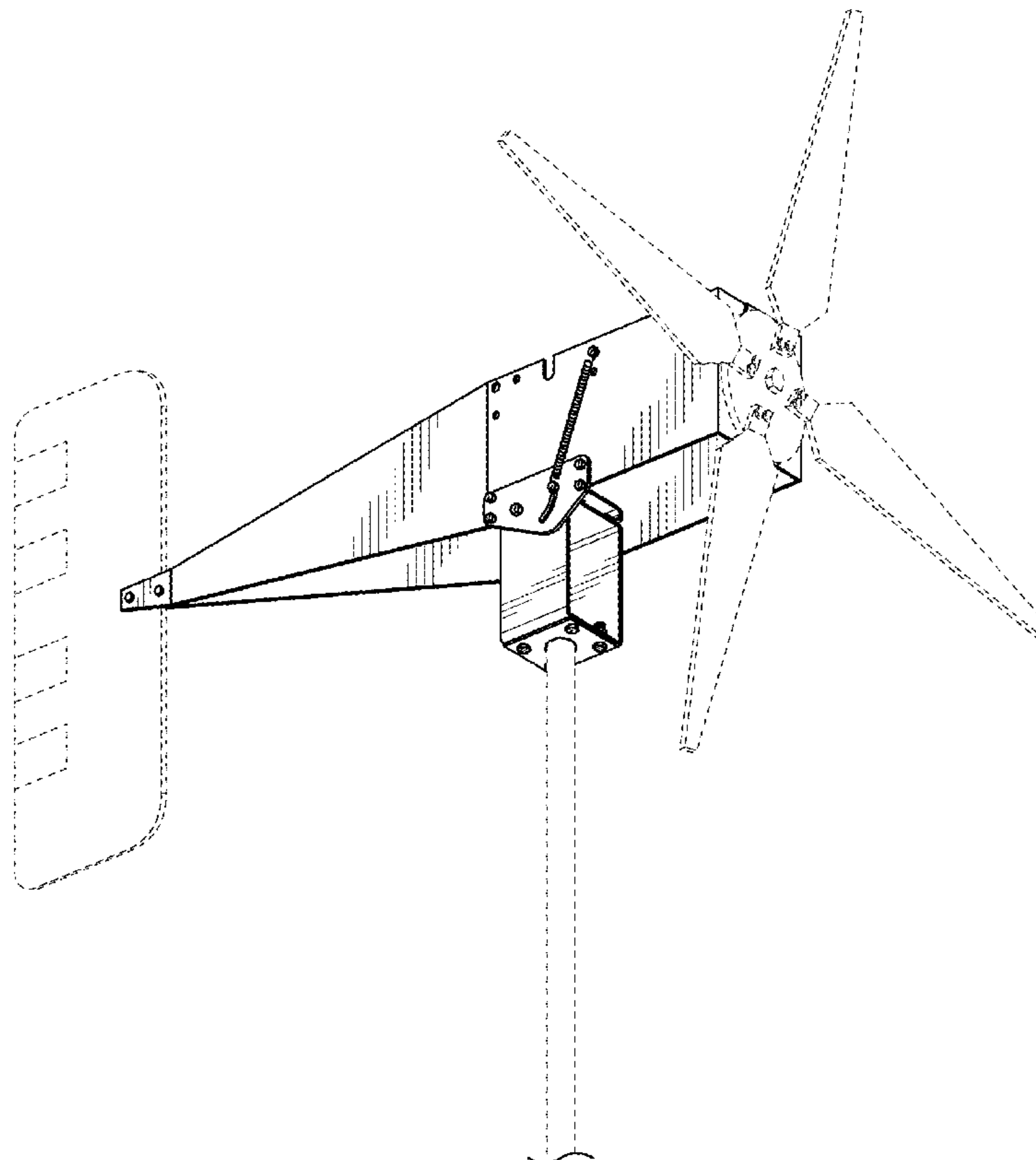
The broken line in the figure drawings is included for the purpose of illustrating unclaimed environment and forms no part of the claimed design.

(56) **References Cited**

U.S. PATENT DOCUMENTS

D669,853 S *	10/2012	Rasmussen	D13/115
D698,726 S *	2/2014	Mogensen	D13/115
D709,452 S *	7/2014	Mogensen	D13/115
2006/0153672 A1 *	7/2006	Davis	F03D 7/0208 415/4.2

1 Claim, 5 Drawing Sheets



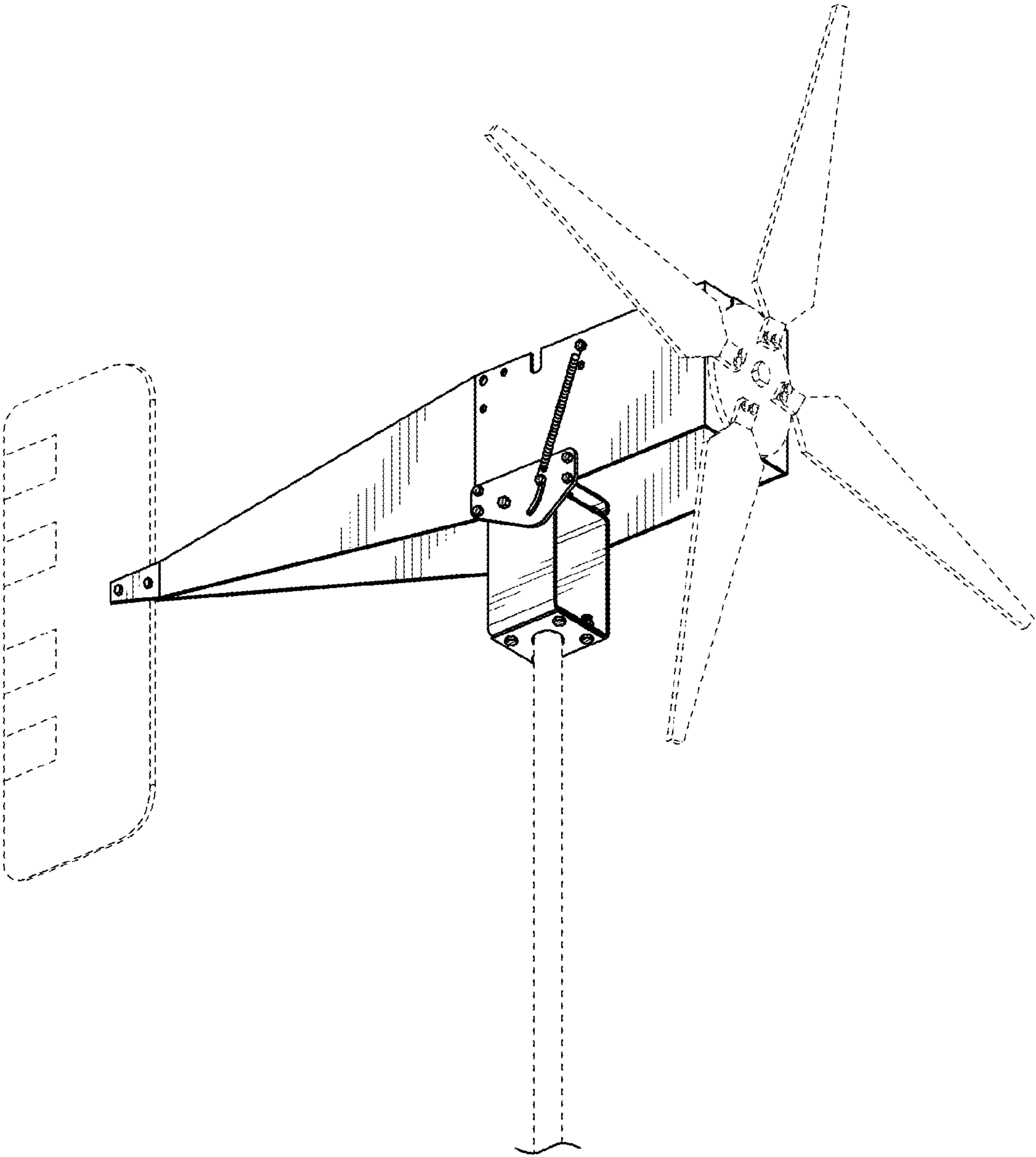


FIG. 1

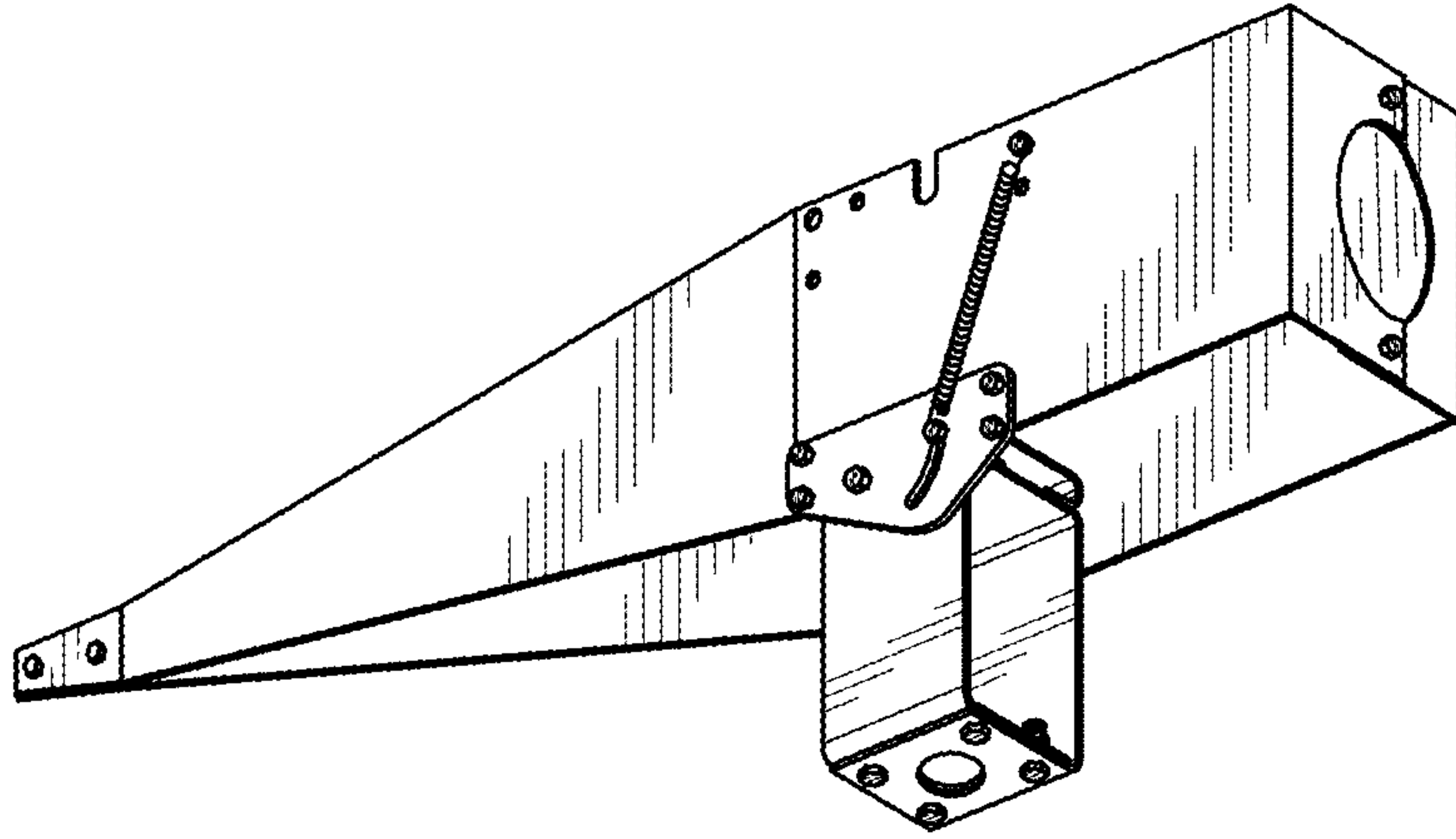


FIG. 2

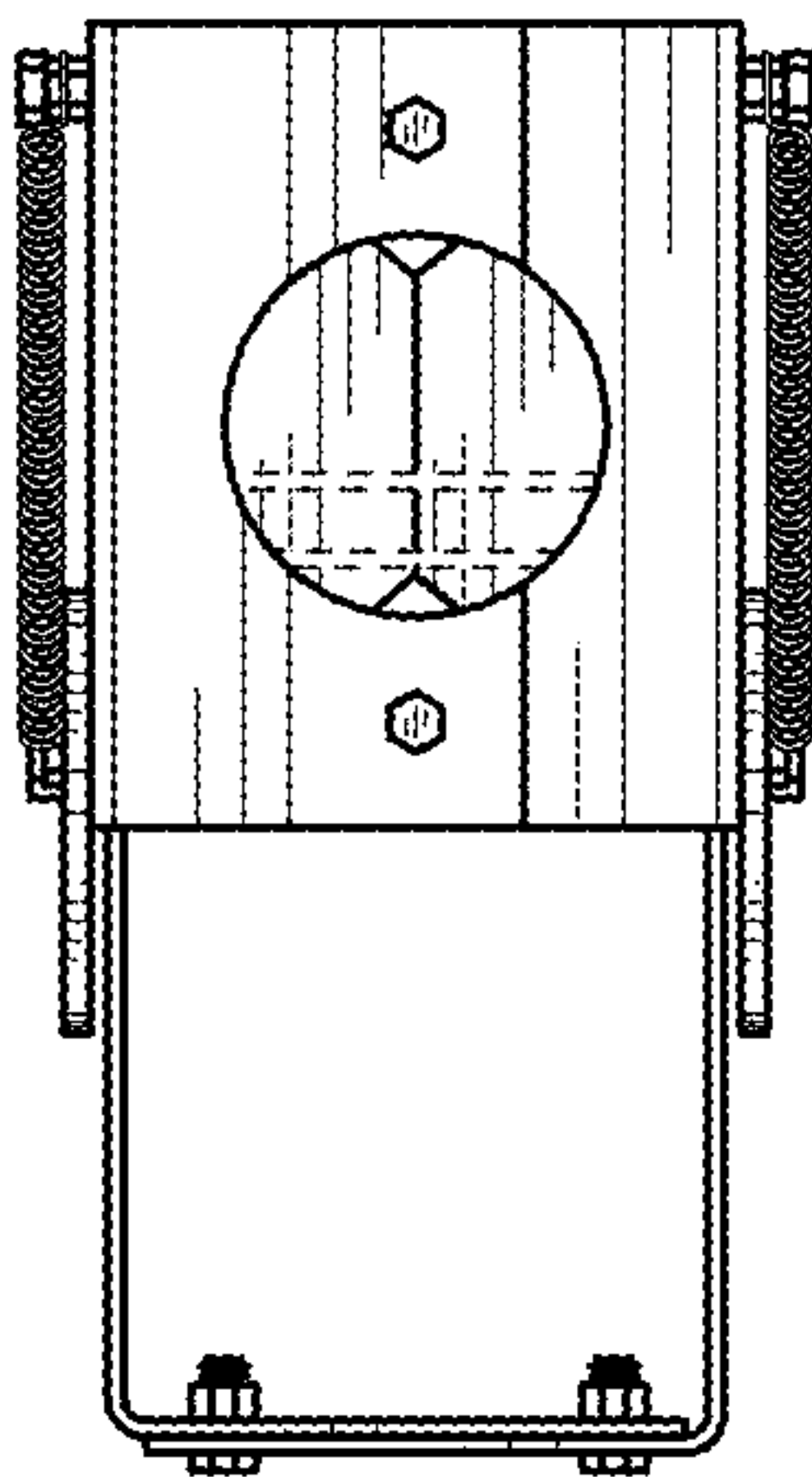


FIG. 3

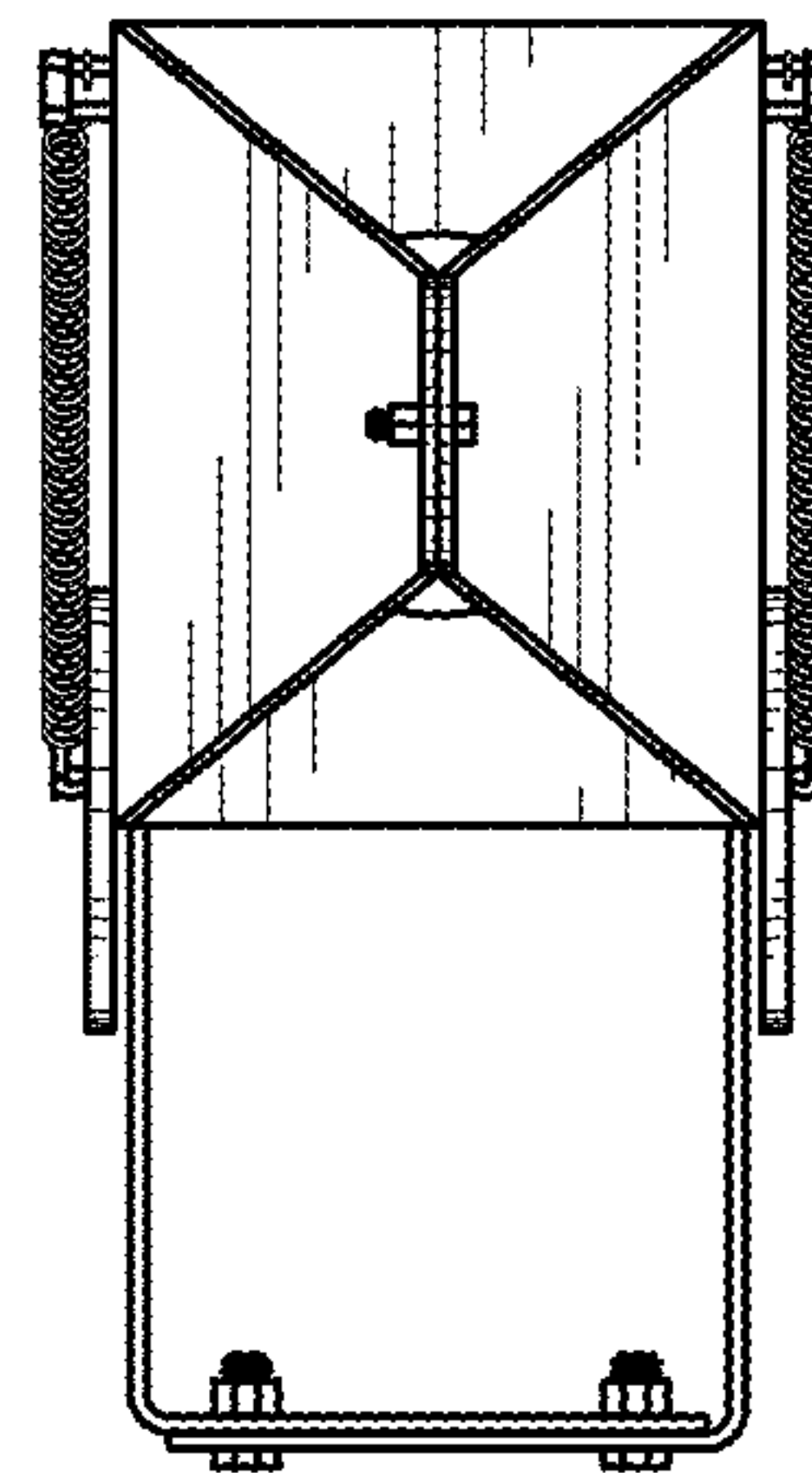


FIG. 4

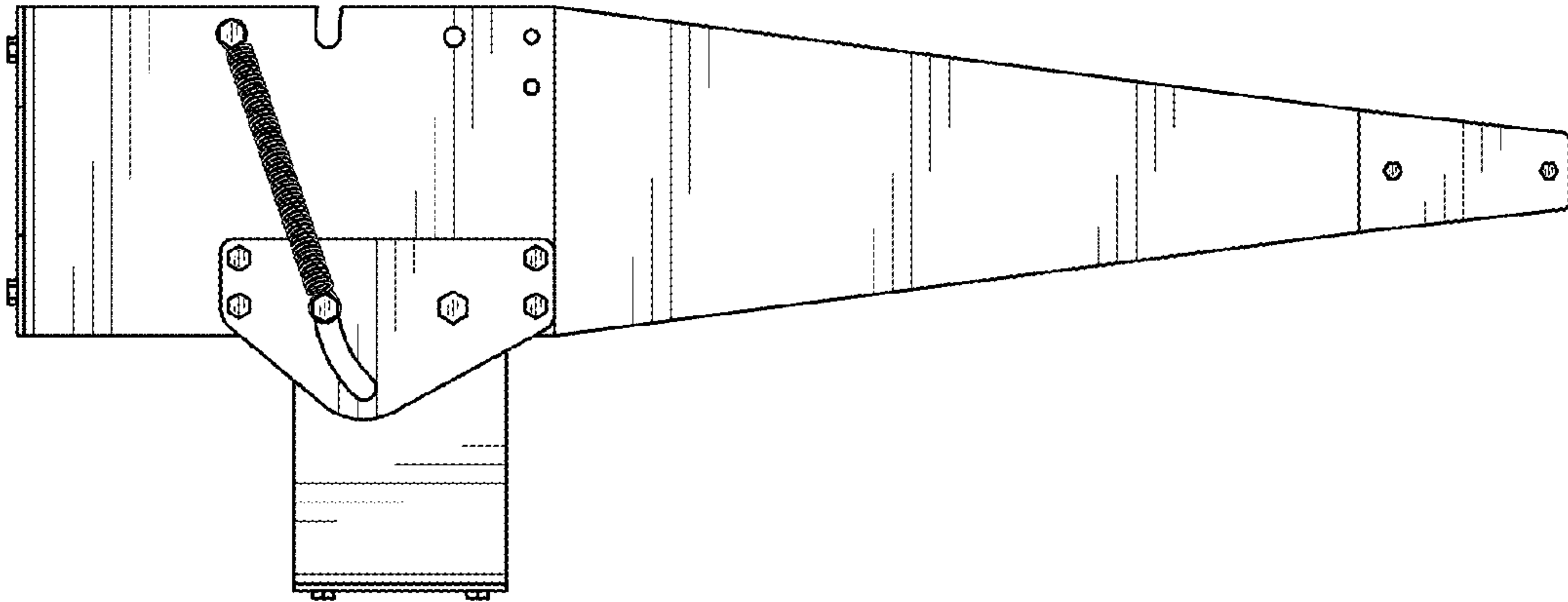


FIG. 5

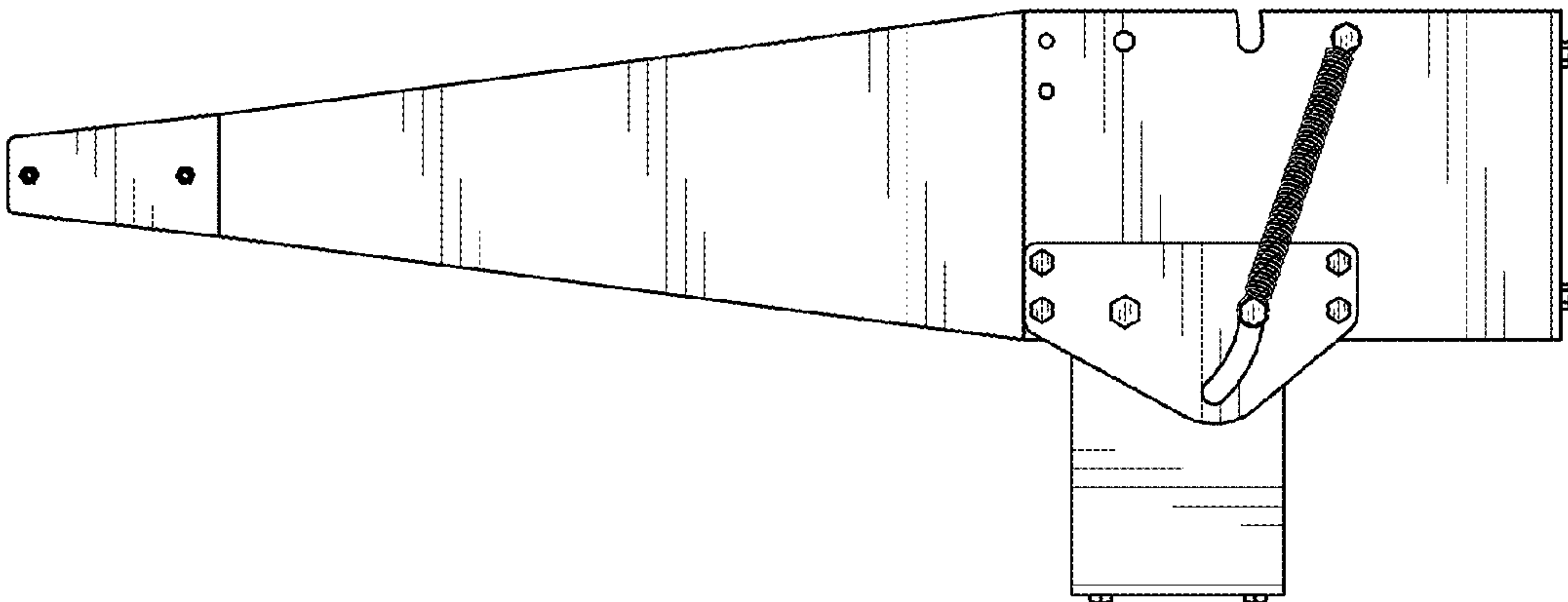


FIG. 6

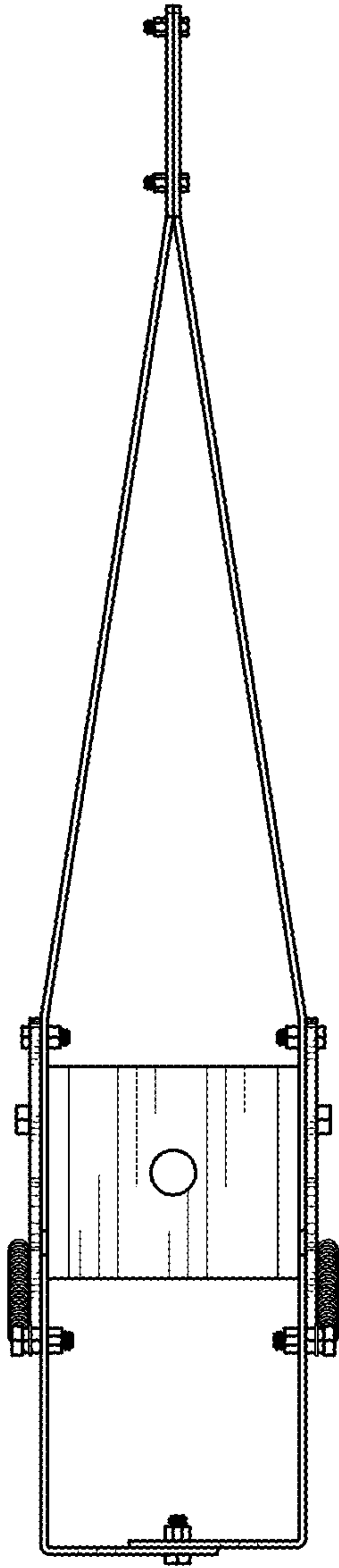


FIG. 7

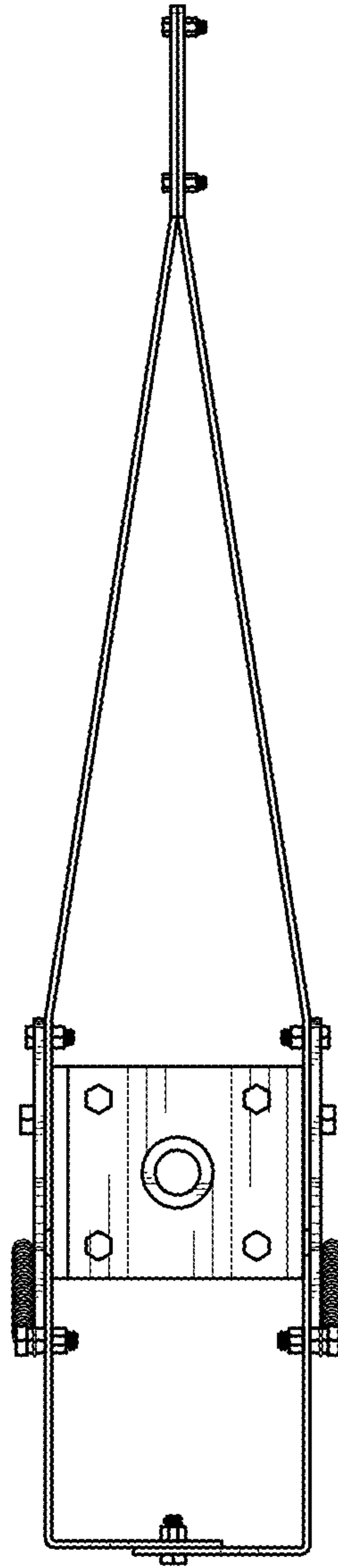


FIG. 8

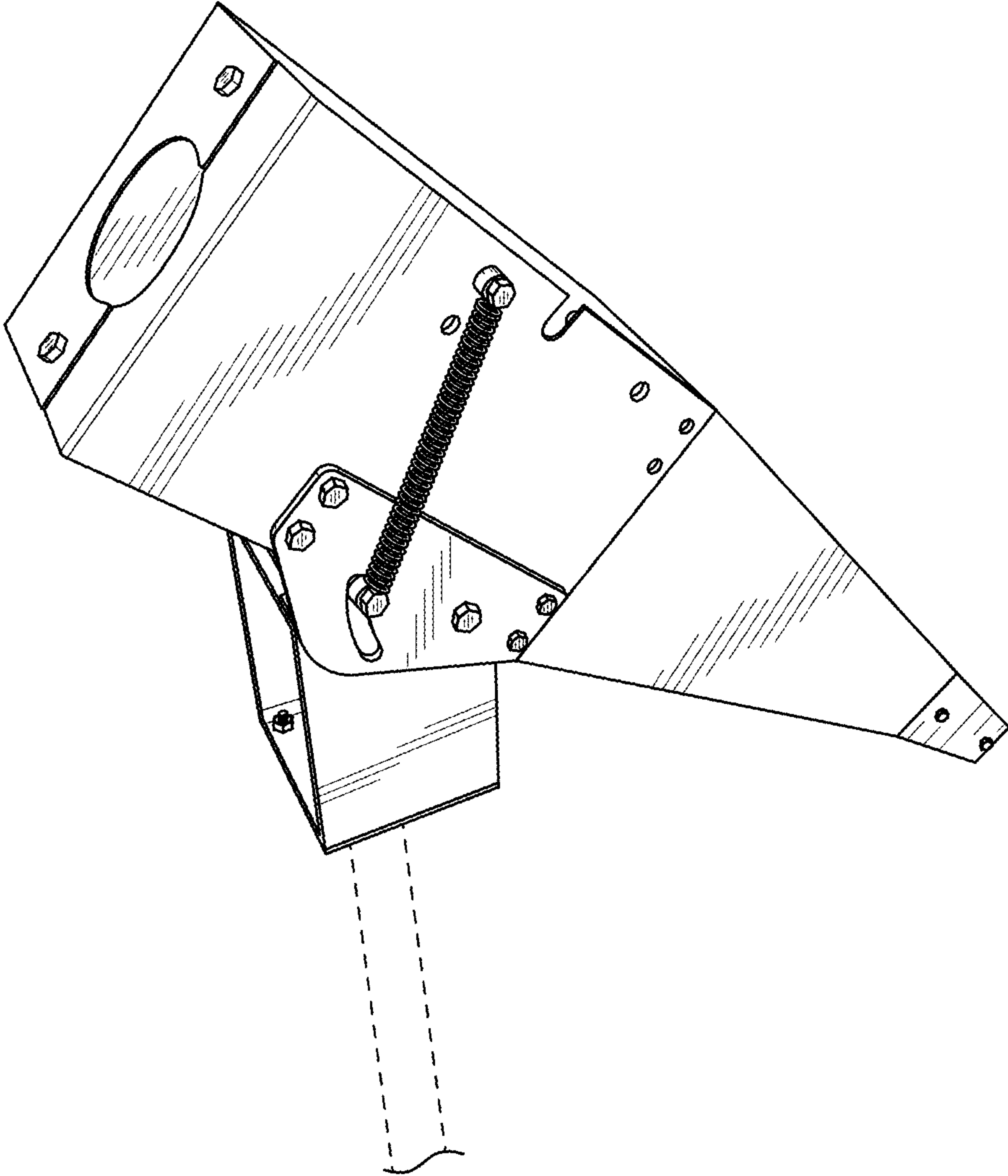


FIG. 9