



US00D794560S

(12) **United States Design Patent**
Schroedel

(10) **Patent No.:** **US D794,560 S**

(45) **Date of Patent:** **** Aug. 15, 2017**

(54) **ELECTRIC MOTOR DRIVE SYSTEM**

(71) Applicant: **BAUMUELLER NUERNBERG GMBH**, Nuremberg (DE)

(72) Inventor: **Georg Schroedel**, Nuremberg (DE)

(73) Assignee: **Baum Mueller Nuernberg GmbH**, Nuremberg (DE)

(**) Term: **14 Years**

(21) Appl. No.: **29/524,624**

(22) Filed: **Apr. 22, 2015**

(30) **Foreign Application Priority Data**

Oct. 22, 2014 (EM) 1423552-0002

(51) **LOC (10) Cl.** **13-01**

(52) **U.S. Cl.**
USPC **D13/112**

(58) **Field of Classification Search**

USPC D13/112, 101, 110, 113-118, 122, 123,
D13/162, 184, 199; D15/3, 5, 199;
74/606 R, 609; 310/10, 40 MM, 40 R,
310/42, 51, 52, 58, 64, 71, 80, 83, 85, 88,
310/89, 91, 109, 236, 239, 254; 318/245,
318/255; 322/16, 29; 29/596-598
CPC F02B 63/04; H02K 3/24; H02K 3/47
See application file for complete search history.

(56) **References Cited**

U.S. PATENT DOCUMENTS

D19,155 S * 6/1889 Sagendorph D25/141
1,972,563 A * 9/1934 Irvin E04B 1/86
181/291

2,954,838 A * 10/1960 Nuorivaara B62J 11/00
181/290
4,209,723 A * 6/1980 Hamman H02K 5/04
310/112
D294,483 S * 3/1988 Keane D13/114
5,198,626 A * 3/1993 Pelzer B60R 13/0884
181/291
D336,890 S * 6/1993 Hirose D13/112
D453,140 S * 1/2002 Buzzard D13/112
D568,529 S * 5/2008 Colleran, Jr. D26/122
D597,943 S * 8/2009 Lin D13/112
D641,698 S * 7/2011 Christensen D13/112
D678,194 S * 3/2013 Lannoch D13/112
D712,354 S * 9/2014 Veeh D13/112
D725,037 S * 3/2015 Norman D13/112

* cited by examiner

Primary Examiner — Derrick Holland

Assistant Examiner — Jennifer O King

(74) *Attorney, Agent, or Firm* — Laurence A. Greenberg;
Werner H. Stemer; Ralph E. Locher

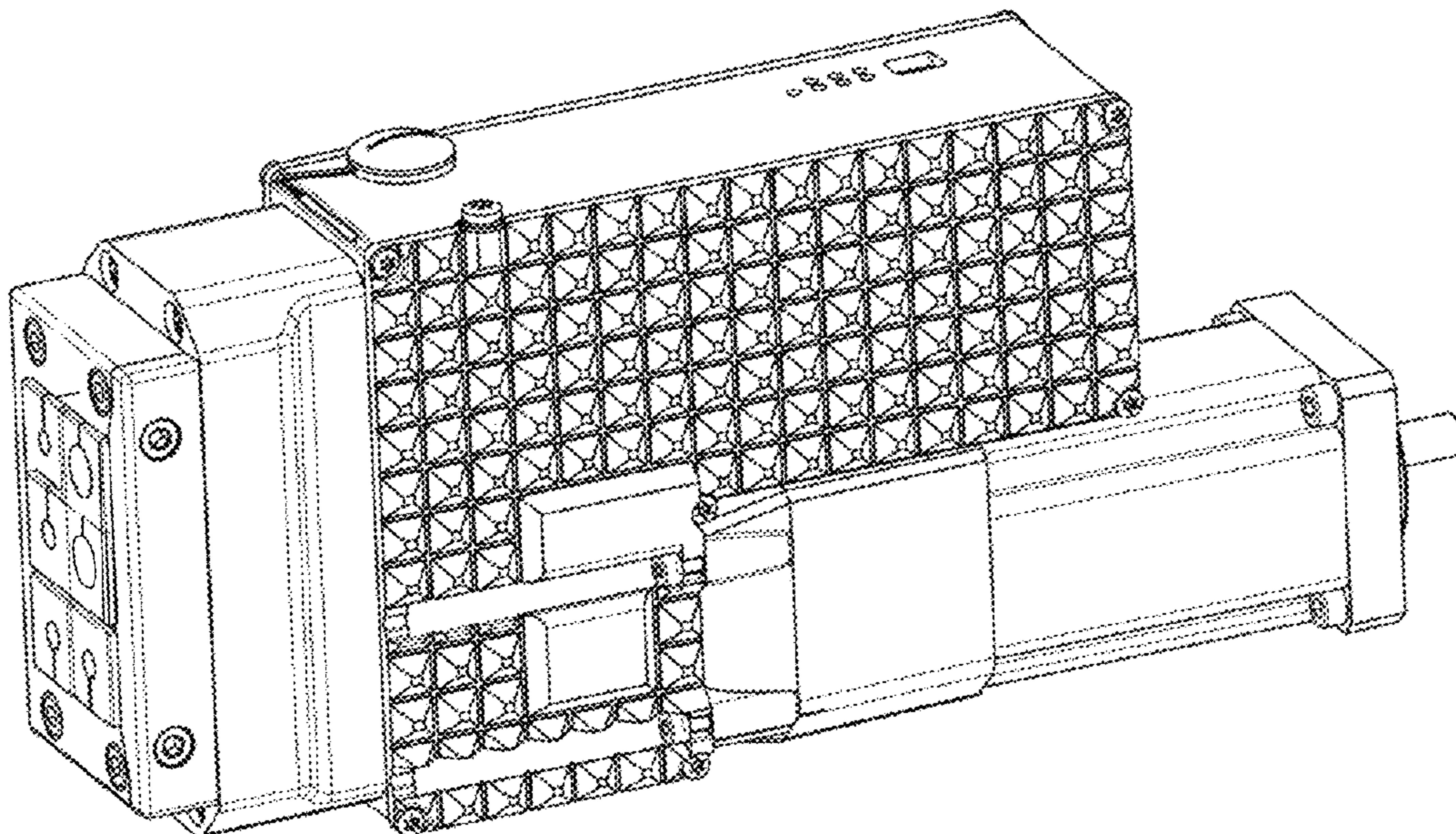
(57) **CLAIM**

The ornamental design for an electric motor drive system, as shown and described.

DESCRIPTION

FIG. 1 is a front perspective view of an electric motor drive system showing my new design;
FIG. 2 is a rear perspective view thereof;
FIG. 3 is a right side elevation view thereof;
FIG. 4 is a left side elevation view thereof;
FIG. 5 is a front elevation view thereof;
FIG. 6 is a rear elevation view thereof; and,
FIG. 7 is a top plan view thereof.
The broken lines depict internal structure and do not form a part of the claimed design.

1 Claim, 6 Drawing Sheets



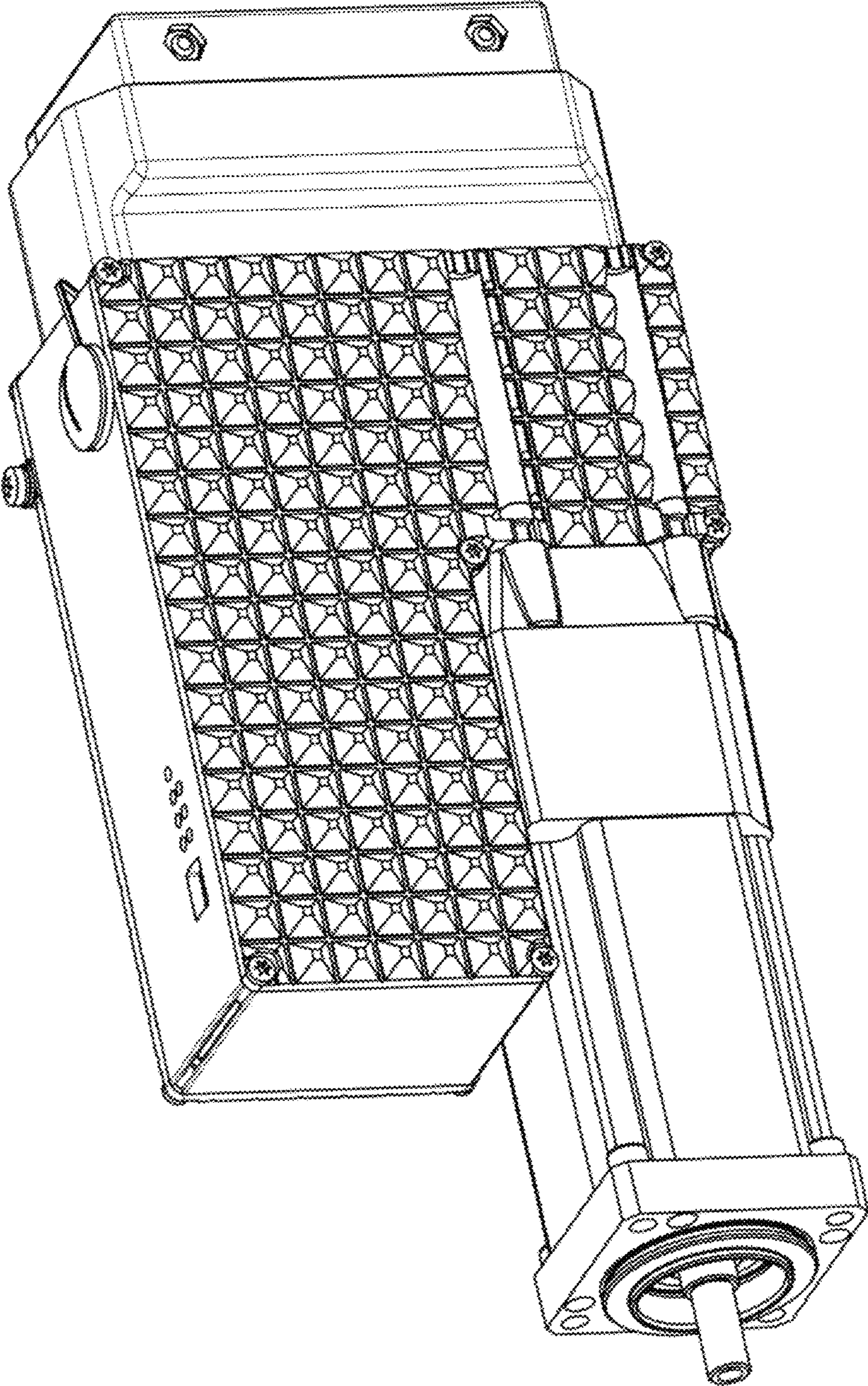


FIG. 1

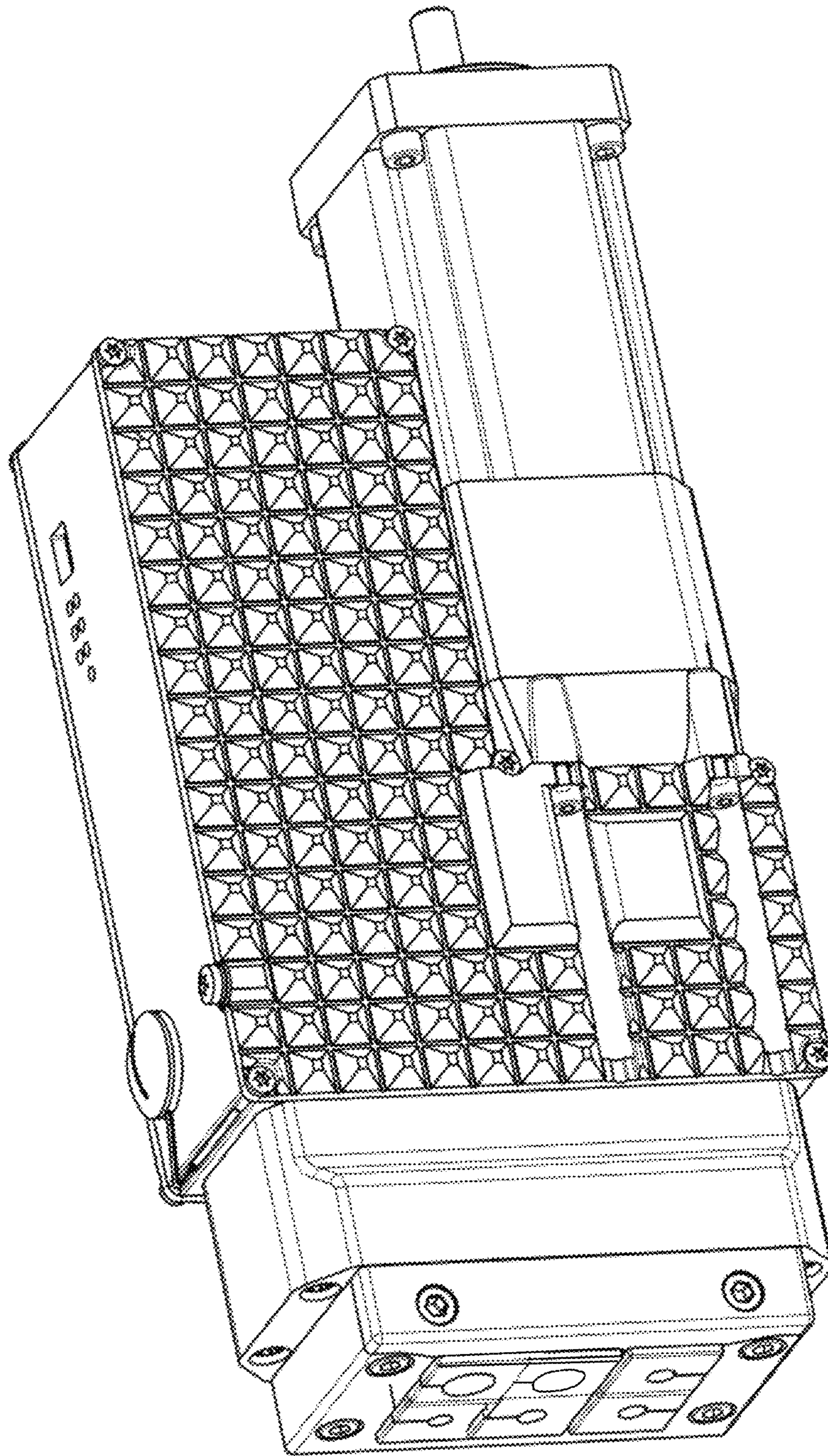


FIG. 2

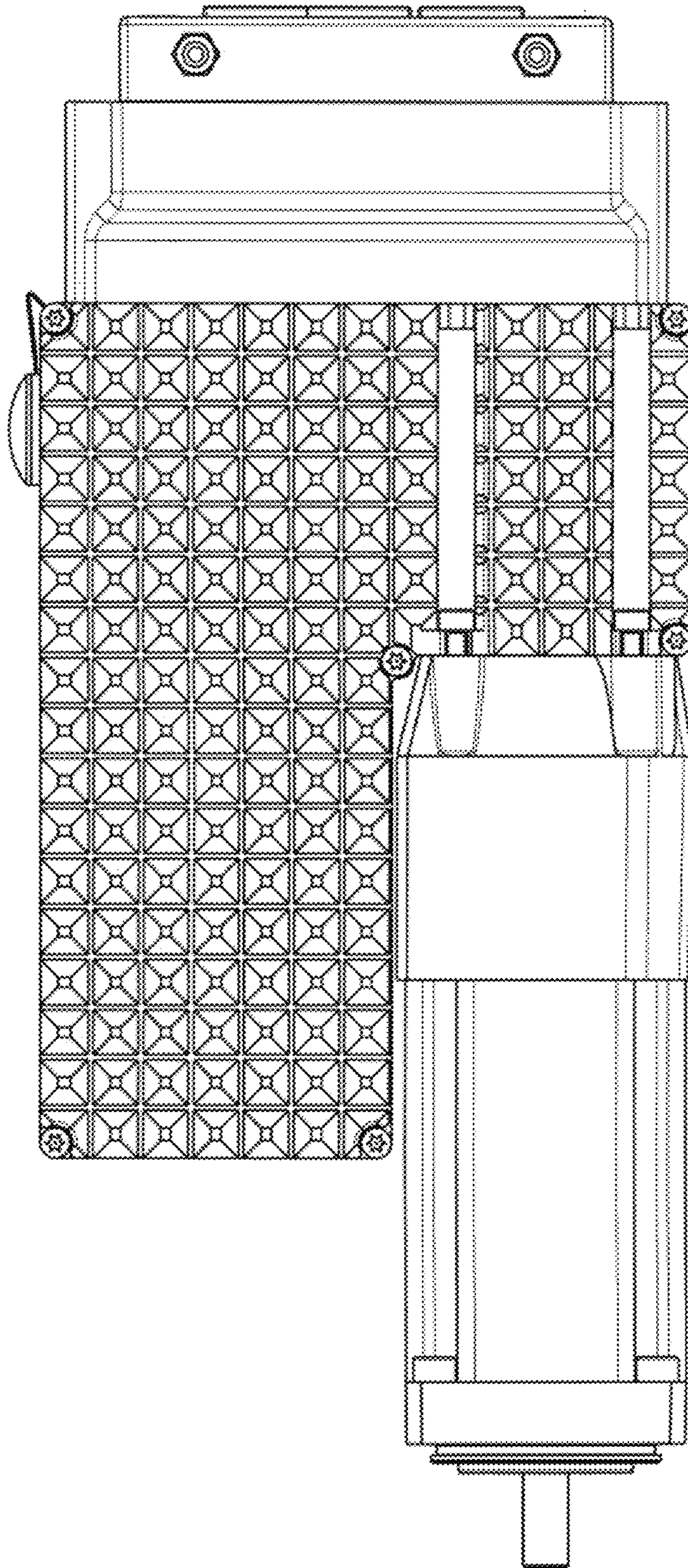


FIG. 3

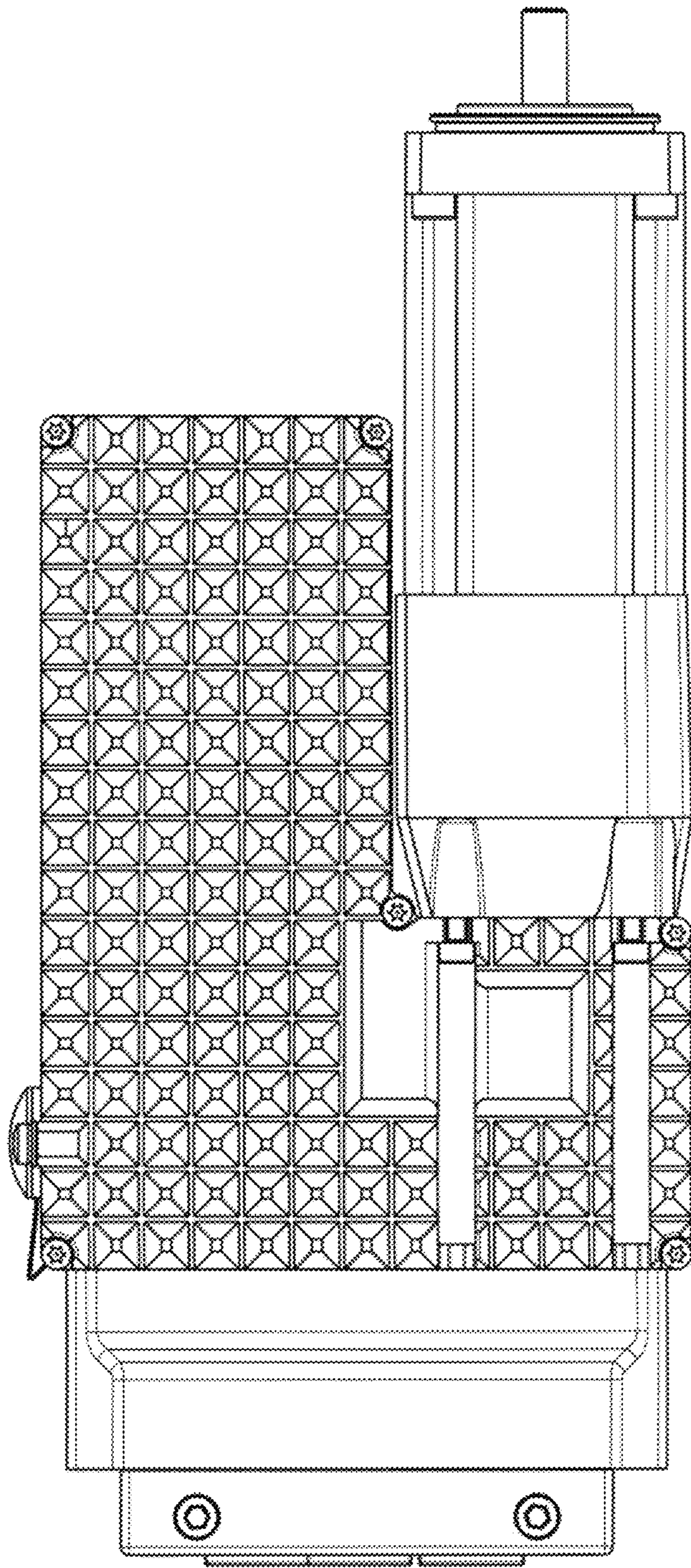


FIG. 4

FIG. 5

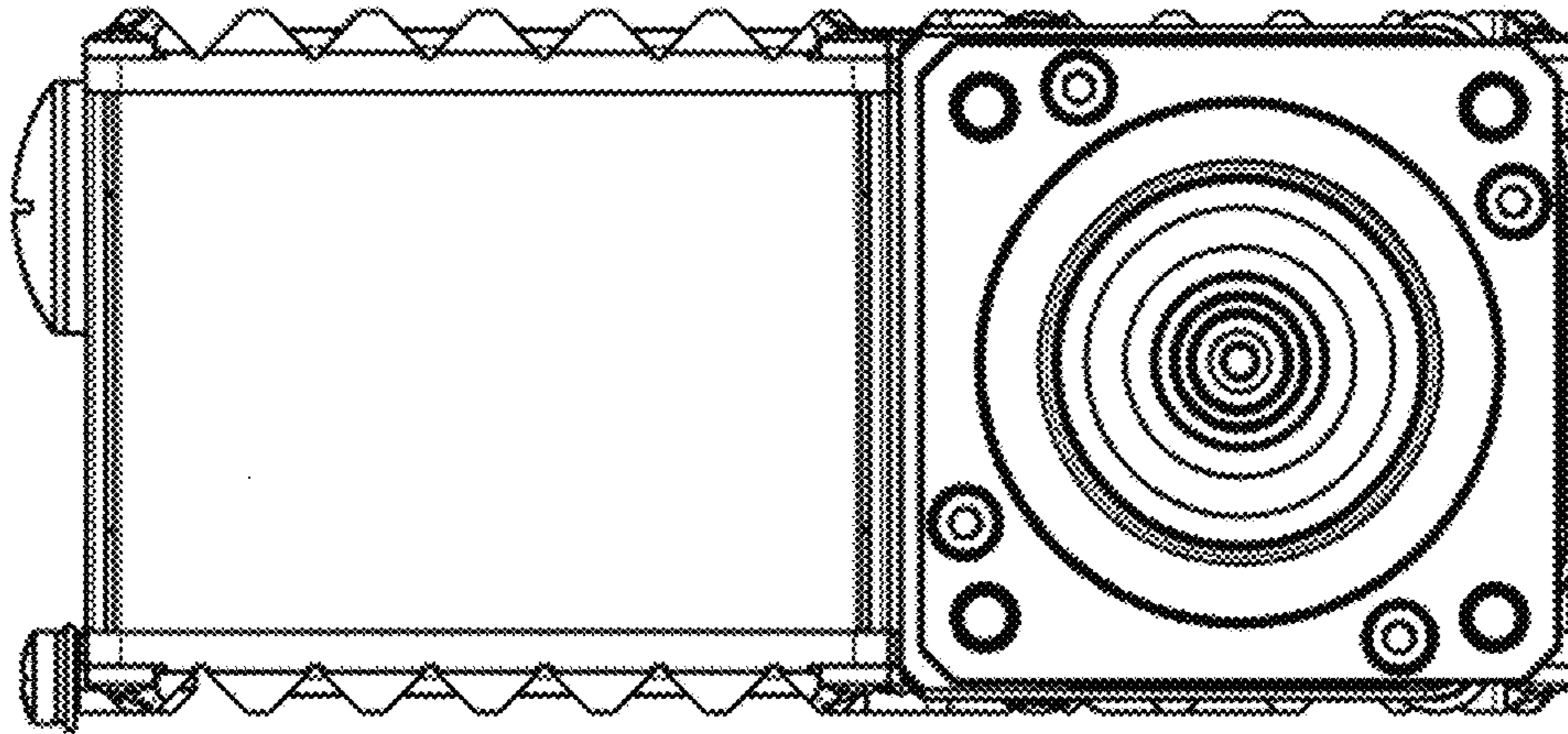
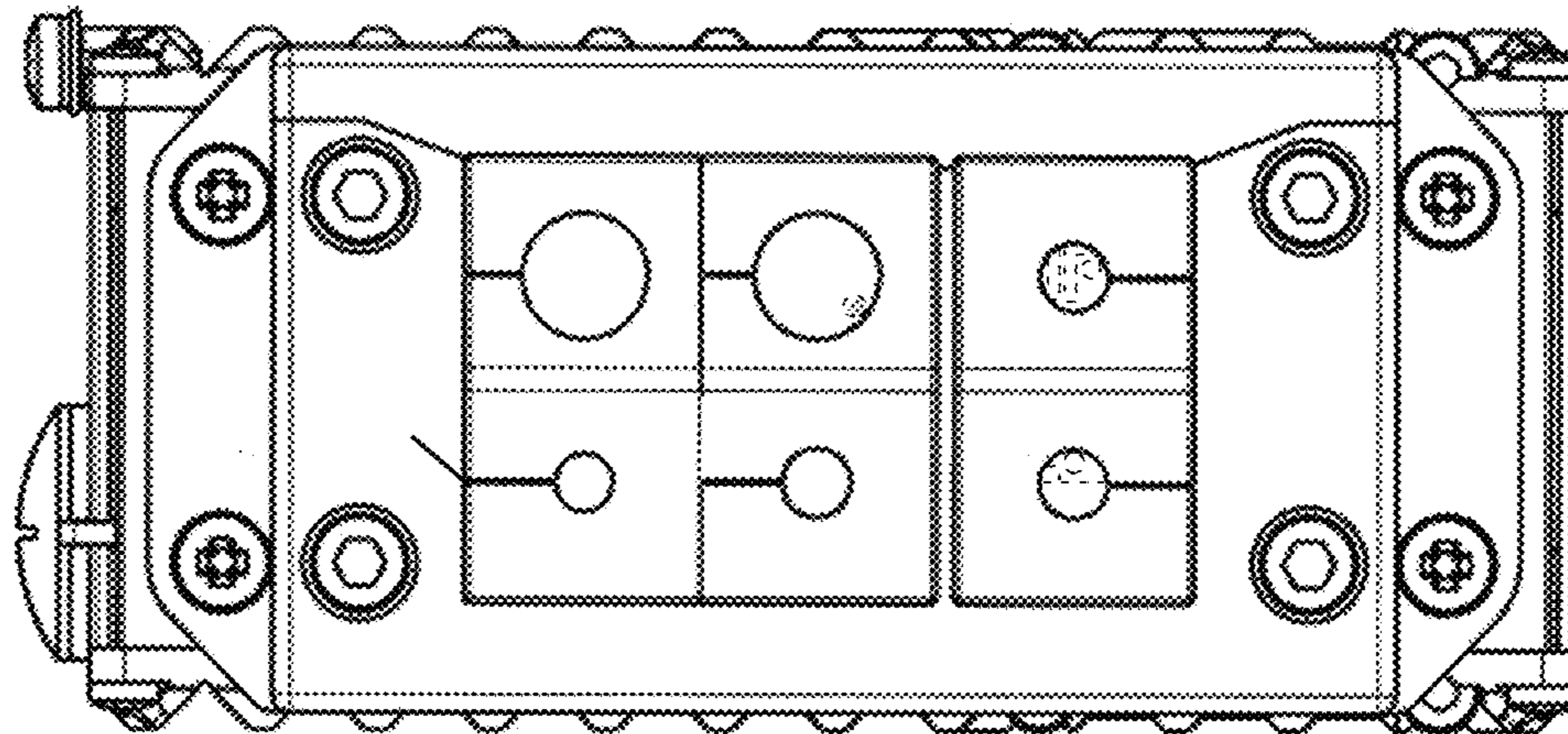


FIG. 6



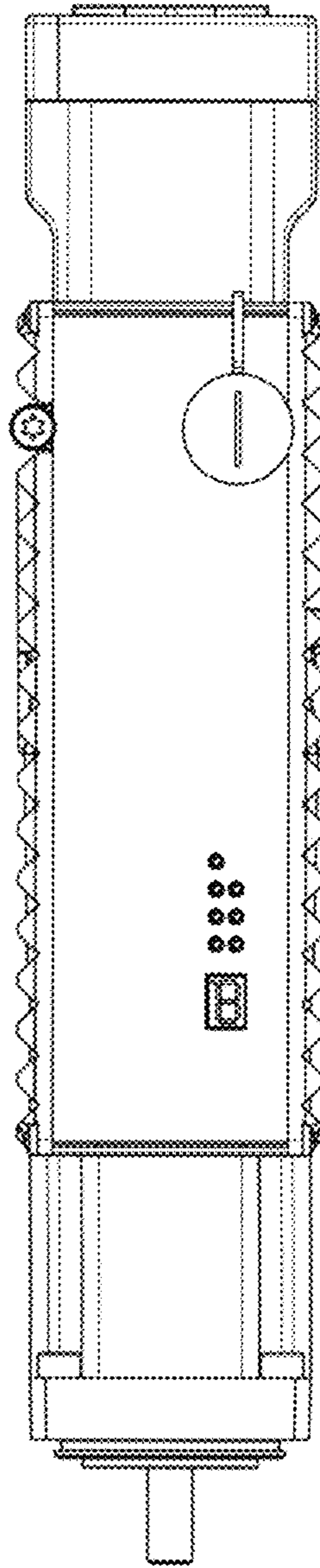


FIG. 7