



US00D794558S

(12) **United States Design Patent** (10) **Patent No.:** **US D794,558 S**
Zhou (45) **Date of Patent:** **** Aug. 15, 2017**

(54) **CHARGING STATION**
(71) Applicant: **Wesley Zhou**, Aliso Viejo, CA (US)
(72) Inventor: **Wesley Zhou**, Aliso Viejo, CA (US)
(**) Term: **15 Years**
(21) Appl. No.: **29/540,922**
(22) Filed: **Sep. 29, 2015**
(51) **LOC (10) Cl.** **13-02**
(52) **U.S. Cl.**
USPC **D13/108**
(58) **Field of Classification Search**
USPC D13/102-110, 118-119, 194, 199;
D14/356, 432; D26/93, 9
CPC Y02E 60/12; Y02T 90/14; Y02T 90/122;
Y02T 90/128; Y02T 90/163; H02J 7/025;
H02J 7/0042; H02J 7/0044; H02J 7/0045;
H02J 7/0003; H01F 38/14; H01M 2/1022;
H01M 2/1055; H01M 10/44; H01M
10/46; H01M 10/425; H01R 13/6675;
B60L 11/182; A47G 7/06; F23D 3/16
See application file for complete search history.

(56) **References Cited**
U.S. PATENT DOCUMENTS
D68,966 S * 12/1925 Heisey D26/22
D80,236 S * 12/1929 Kirk D26/9
D146,113 S * 12/1946 McGinnis D26/63
D168,280 S * 11/1952 Schwarz D26/93
D343,912 S * 2/1994 Huang D26/20

D381,838 S * 8/1997 Stenzel D6/681.2
D420,974 S * 2/2000 Minagawa D13/108
D459,830 S * 7/2002 Dolan D26/110
D710,039 S * 7/2014 Schwenk D26/9
D725,308 S * 3/2015 Coleman D26/94
D740,462 S * 10/2015 Schwenk D26/9
D748,079 S * 1/2016 Dinsdale D14/230
2009/0223512 A1 * 9/2009 Konkle F24C 1/10
126/92 AC
2010/0104994 A1 * 4/2010 Fuqua F21S 13/10
431/297
2014/0170928 A1 * 6/2014 Capriola H01R 33/92
446/91

* cited by examiner

Primary Examiner — Rosemary K Tarcza
Assistant Examiner — Alison Ofstun

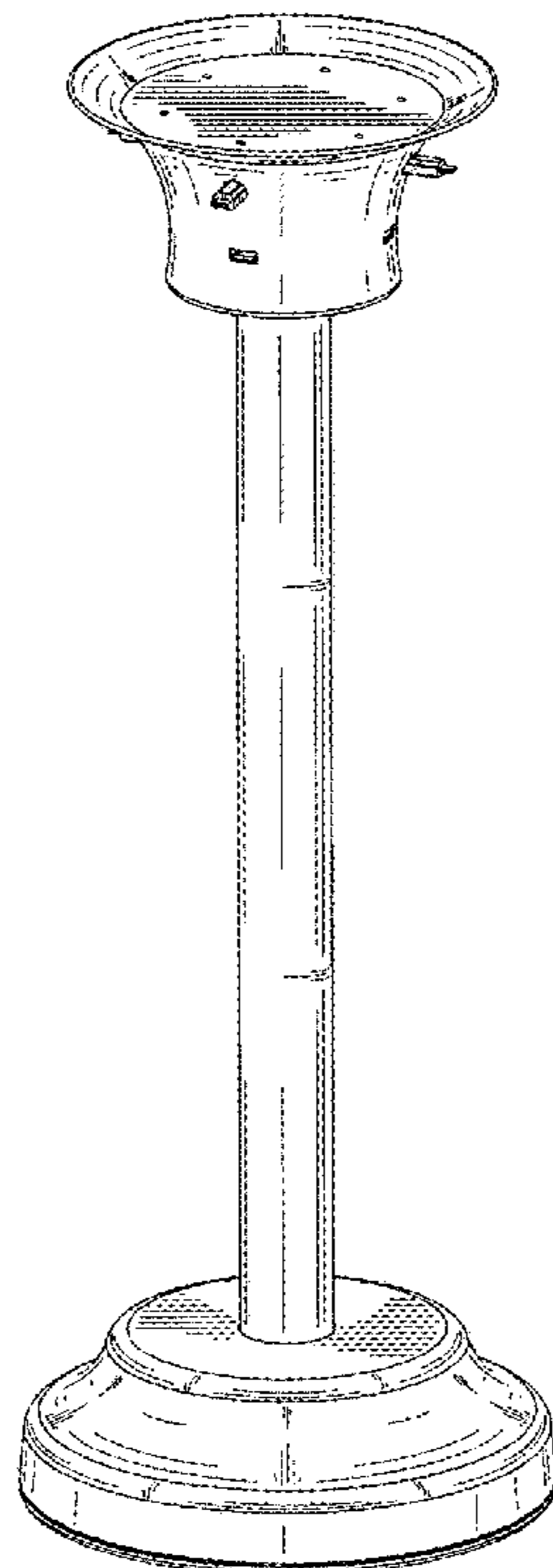
(57) **CLAIM**

The ornamental design for a charging station, as shown and described.

DESCRIPTION

FIG. 1 is a perspective view of a charging station, showing my new design;
FIG. 2 is a front view thereof;
FIG. 3 is a right view thereof;
FIG. 4 is a left view thereof;
FIG. 5 is a back view thereof;
FIG. 6 is a top view thereof; and,
FIG. 7 is a bottom view thereof.
The broken lines present in the figures represent portions of the article which form no part of the claimed design.

1 Claim, 6 Drawing Sheets



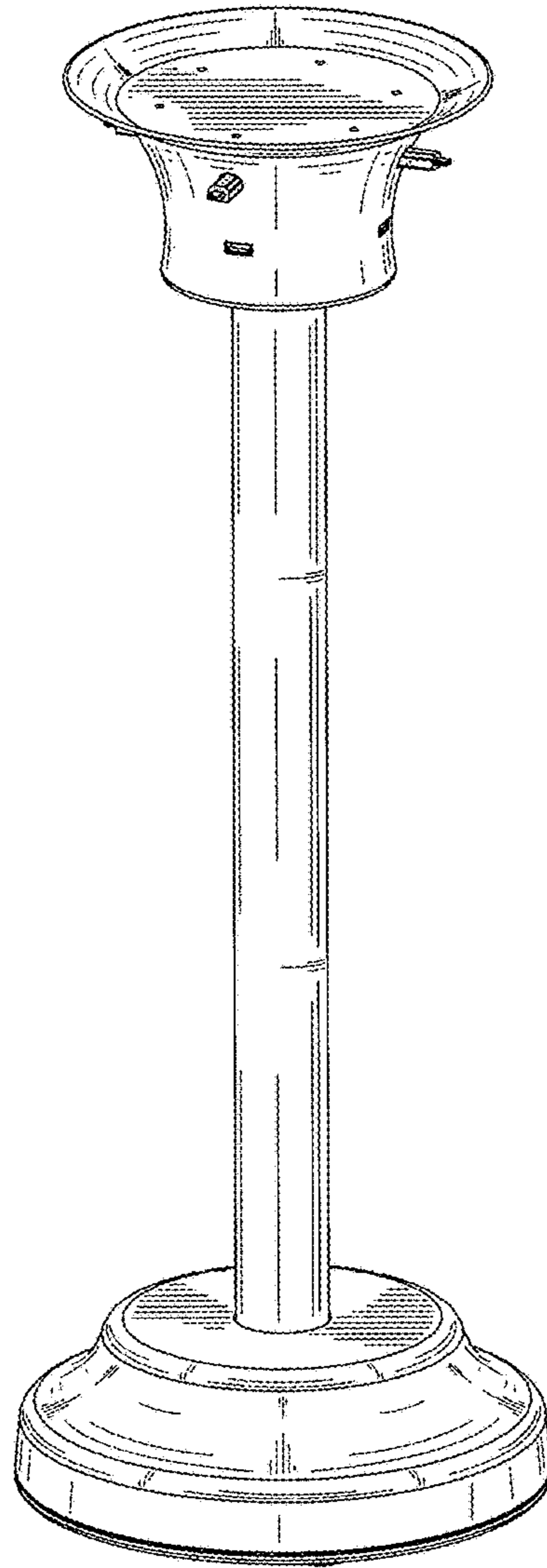


FIG. 1

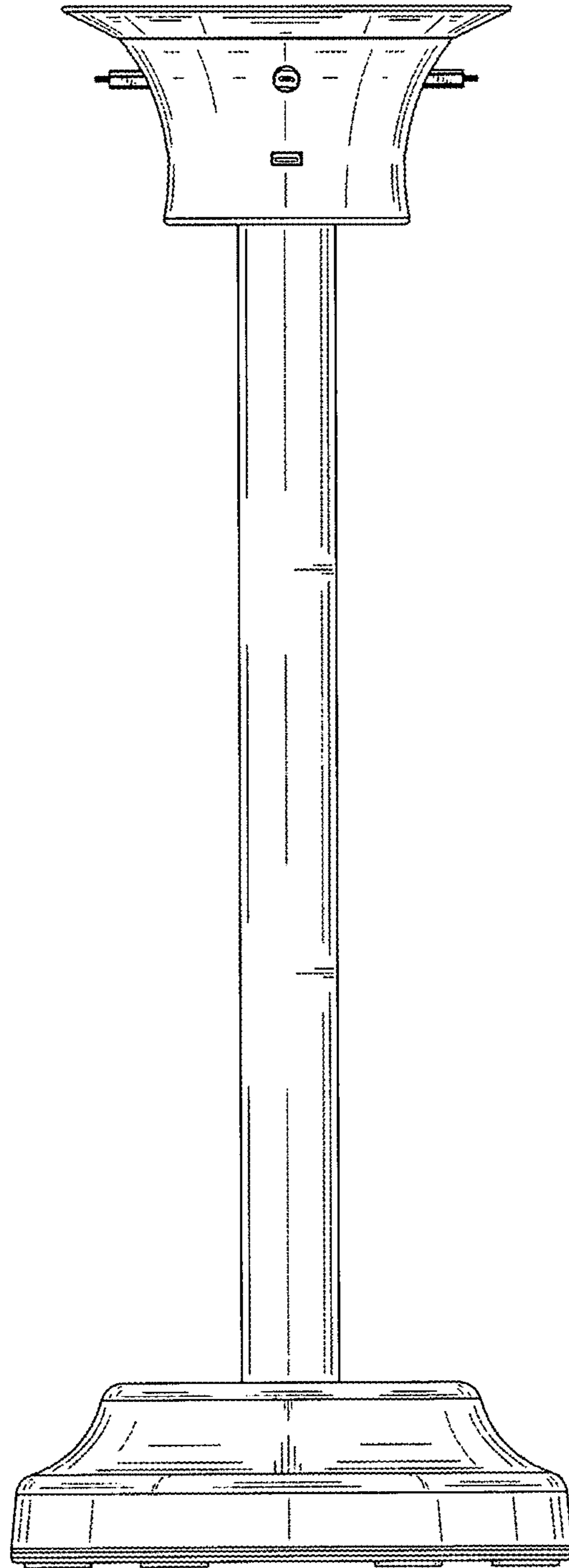


FIG. 2

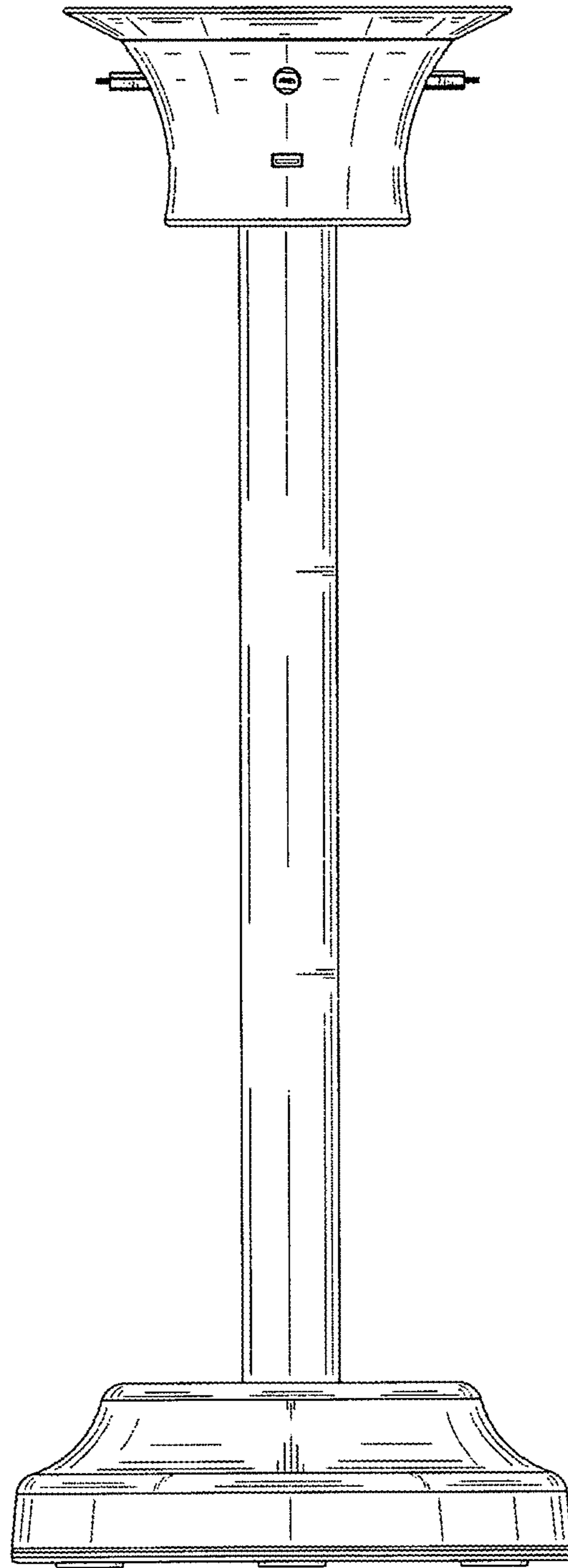


FIG. 3

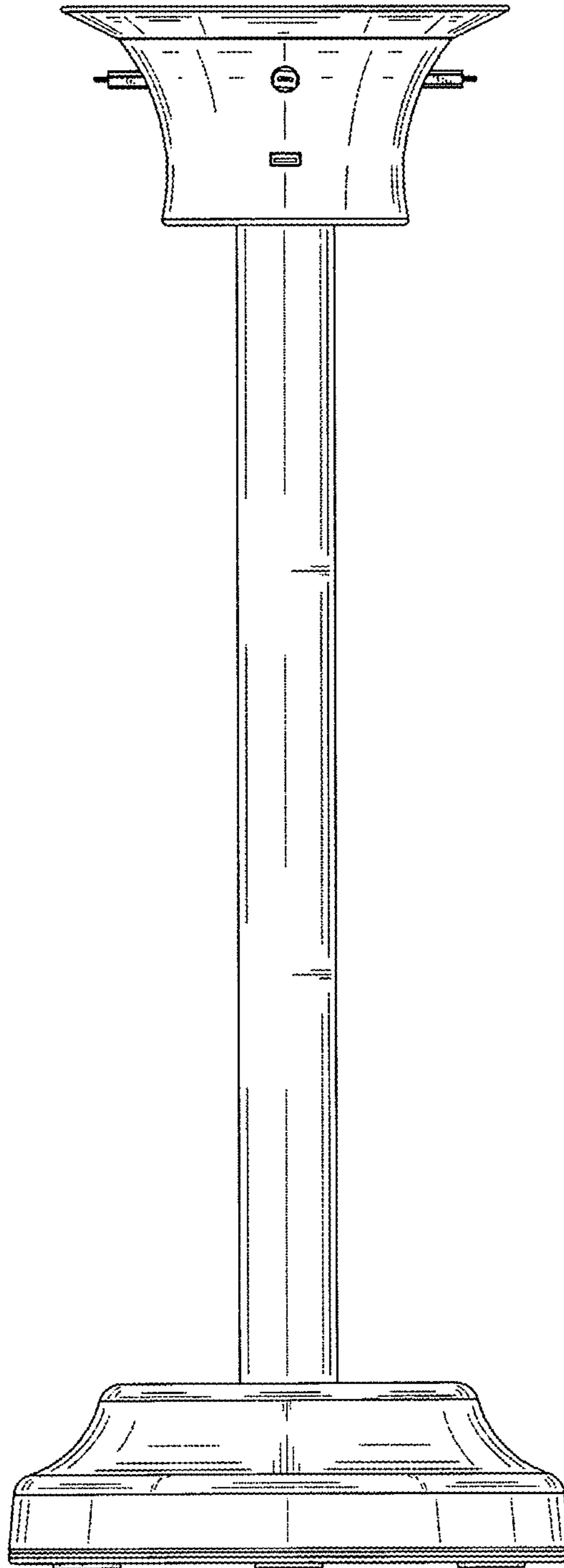


FIG. 4

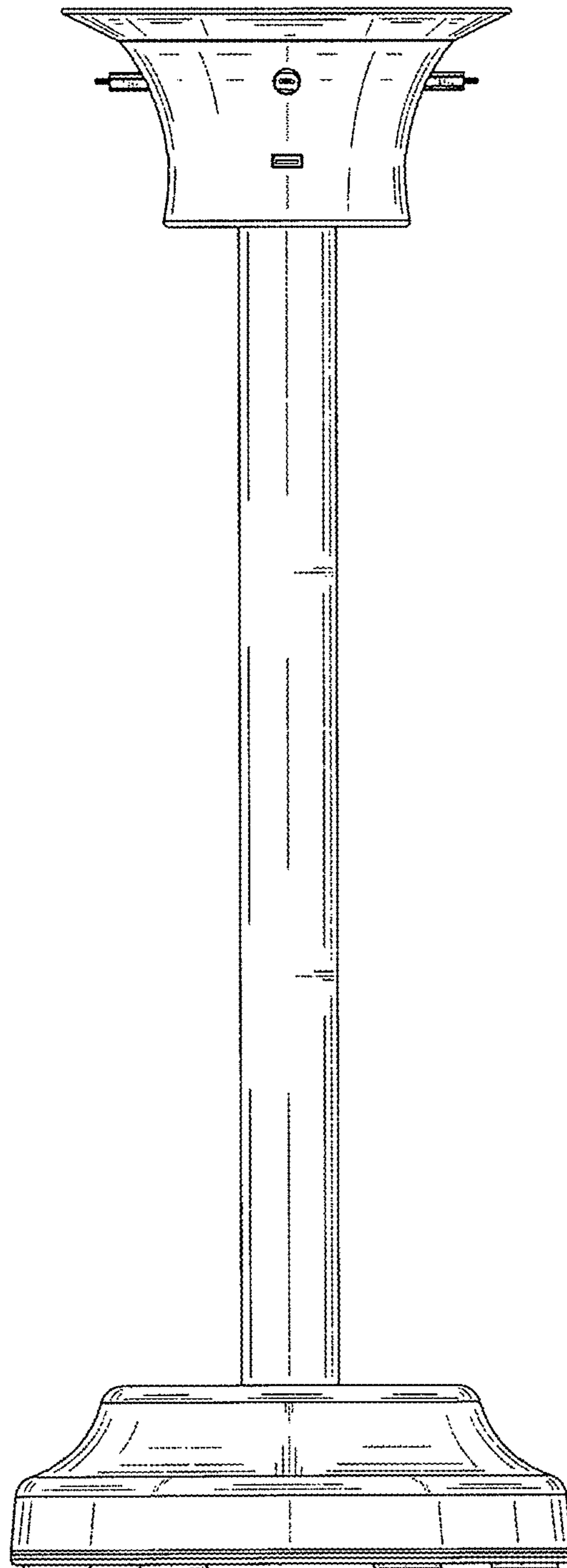


FIG. 5

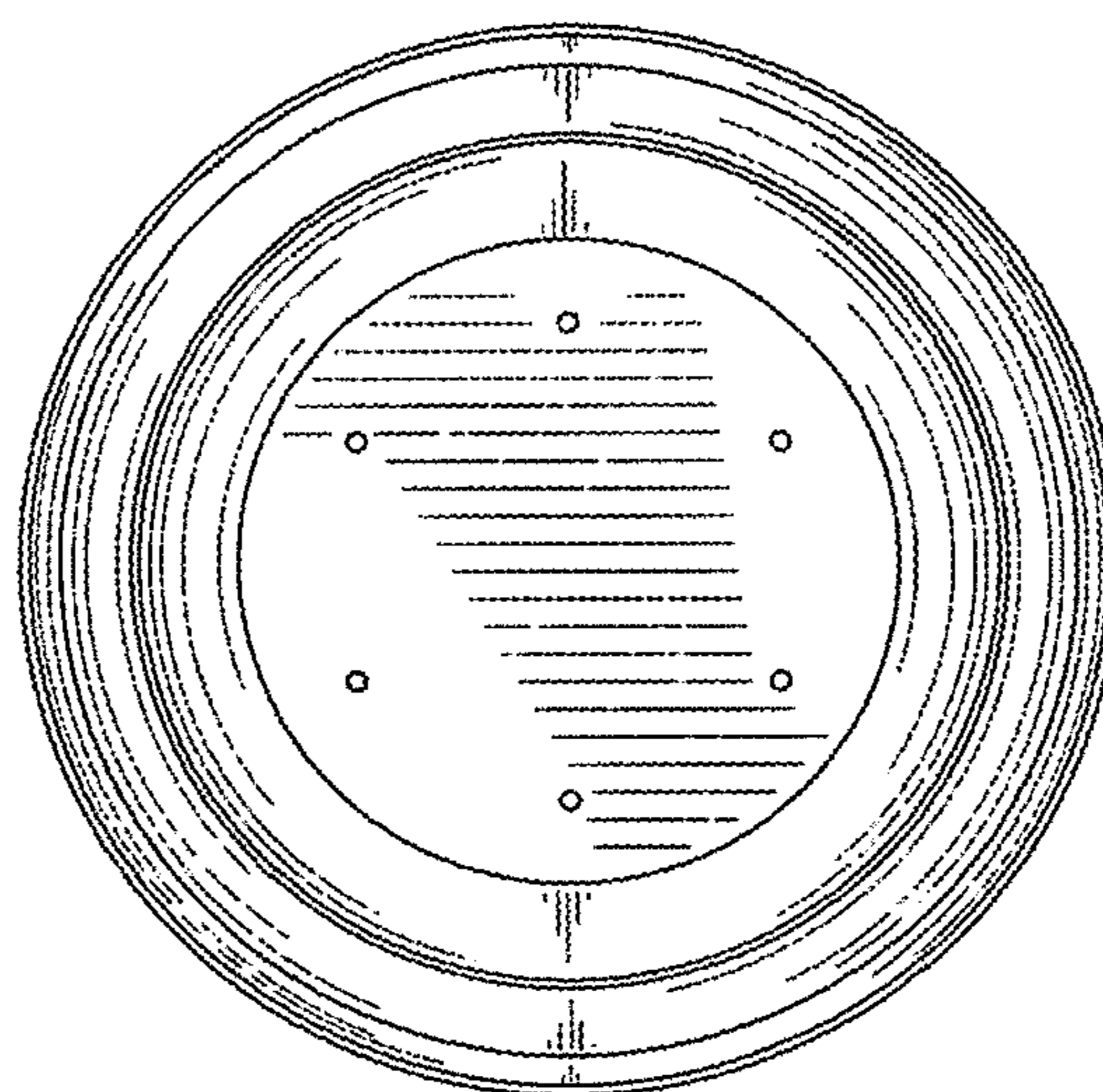


FIG. 6

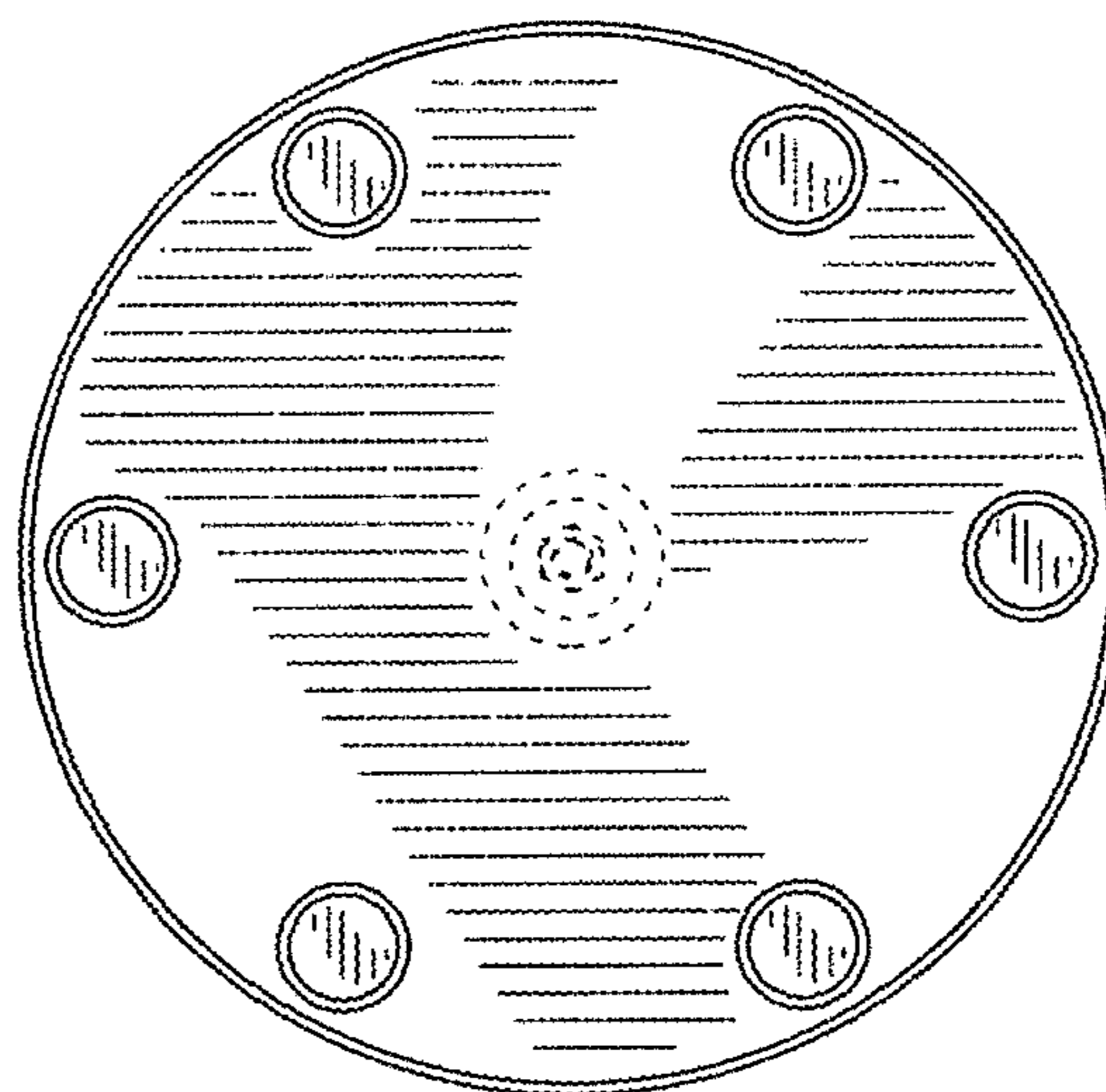


FIG. 7