



US00D794557S

(12) **United States Design Patent**
Kim

(10) **Patent No.:** **US D794,557 S**

(45) **Date of Patent:** **** Aug. 15, 2017**

(54) **CHARGER**

(71) Applicant: **Samsung Electronics Co., Ltd.**,
Suwon-si (KR)

(72) Inventor: **Youngsoo Kim**, Goyang-si (KR)

(73) Assignee: **Samsung Electronics Co., Ltd.**,
Suwon-si (KR)

(**) Term: **15 Years**

(21) Appl. No.: **29/534,170**

(22) Filed: **Jul. 27, 2015**

(30) **Foreign Application Priority Data**

Feb. 6, 2015 (KR) 30-2015-0006647

(51) **LOC (10) Cl.** **13-02**

(52) **U.S. Cl.**
USPC **D13/108**

(58) **Field of Classification Search**

USPC D13/107-110, 118-119, 184; D14/251,
D14/253, 432, 434

CPC Y02E 60/12; Y02T 90/14; Y02T 90/122;
Y02T 90/128; Y02T 90/163; H02J 7/025;
H02J 7/0042; H02J 7/0044; H02J 7/0045;
H02J 7/0003; H01F 38/14; H01R
13/6675; H01M 2/1022; H01M 2/1055;
H01M 10/44; H01M 10/46; H01M
10/425; B60L 11/182

See application file for complete search history.

(56) **References Cited**

U.S. PATENT DOCUMENTS

D643,844 S * 8/2011 Akana D14/447
D694,182 S * 11/2013 Lee D13/108

D701,831 S *	4/2014	Park	D13/108
D718,236 S *	11/2014	Murray	D13/108
D720,289 S *	12/2014	Chiang	D13/108
D722,962 S *	2/2015	Kim	D13/108
D727,260 S *	4/2015	Aumiller	D13/108
D735,131 S *	7/2015	Akana	D13/108
D738,303 S *	9/2015	Symons	D13/108
D740,060 S *	10/2015	Akana	D6/682.5
D740,750 S *	10/2015	Mayden	D13/108
D746,772 S *	1/2016	Aumiller	D13/108
D777,103 S *	1/2017	Park	D13/108

* cited by examiner

Primary Examiner — Rosemary K Tarca
Assistant Examiner — Nathaniel D Buckner
(74) *Attorney, Agent, or Firm* — NSIP Law

(57) **CLAIM**

I claim the ornamental design for a charger, as shown and described.

DESCRIPTION

FIG. 1 is a front perspective view of a charger showing my new design;
FIG. 2 is a front view thereof;
FIG. 3 is a rear view thereof;
FIG. 4 is a left-side view thereof;
FIG. 5 is a right-side view thereof;
FIG. 6 is a top view thereof;
FIG. 7 is a bottom view thereof; and,
FIG. 8 is a cross-sectional view taken through line 8-8 of FIG. 2.

The broken lines in the figures show portions of the charger which form no part of the claimed design.

1 Claim, 7 Drawing Sheets

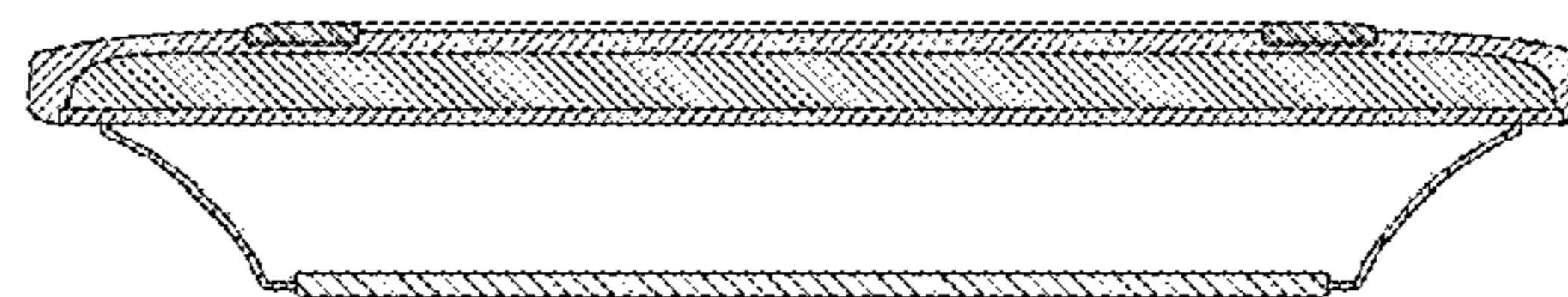
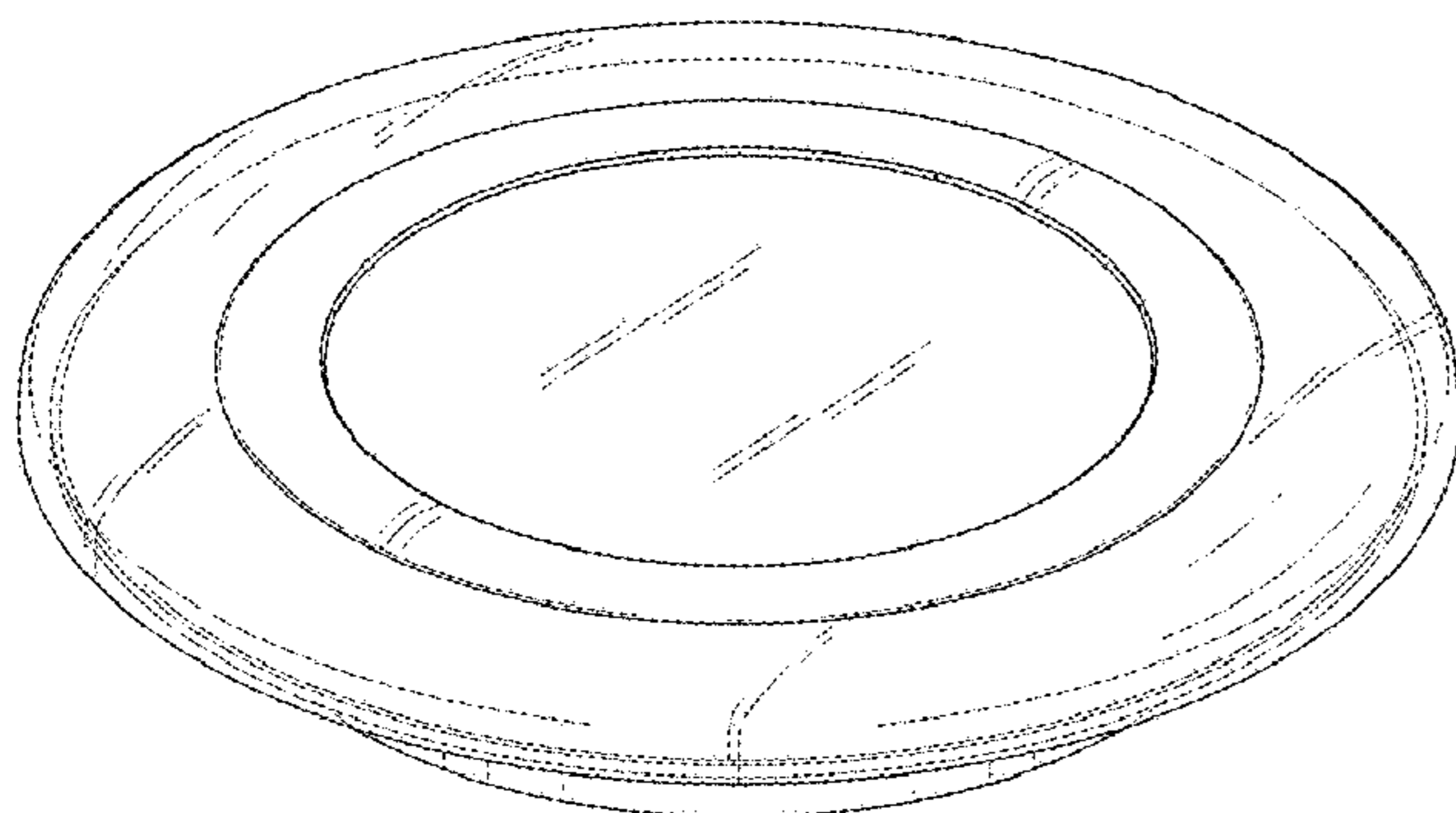


FIG. 1

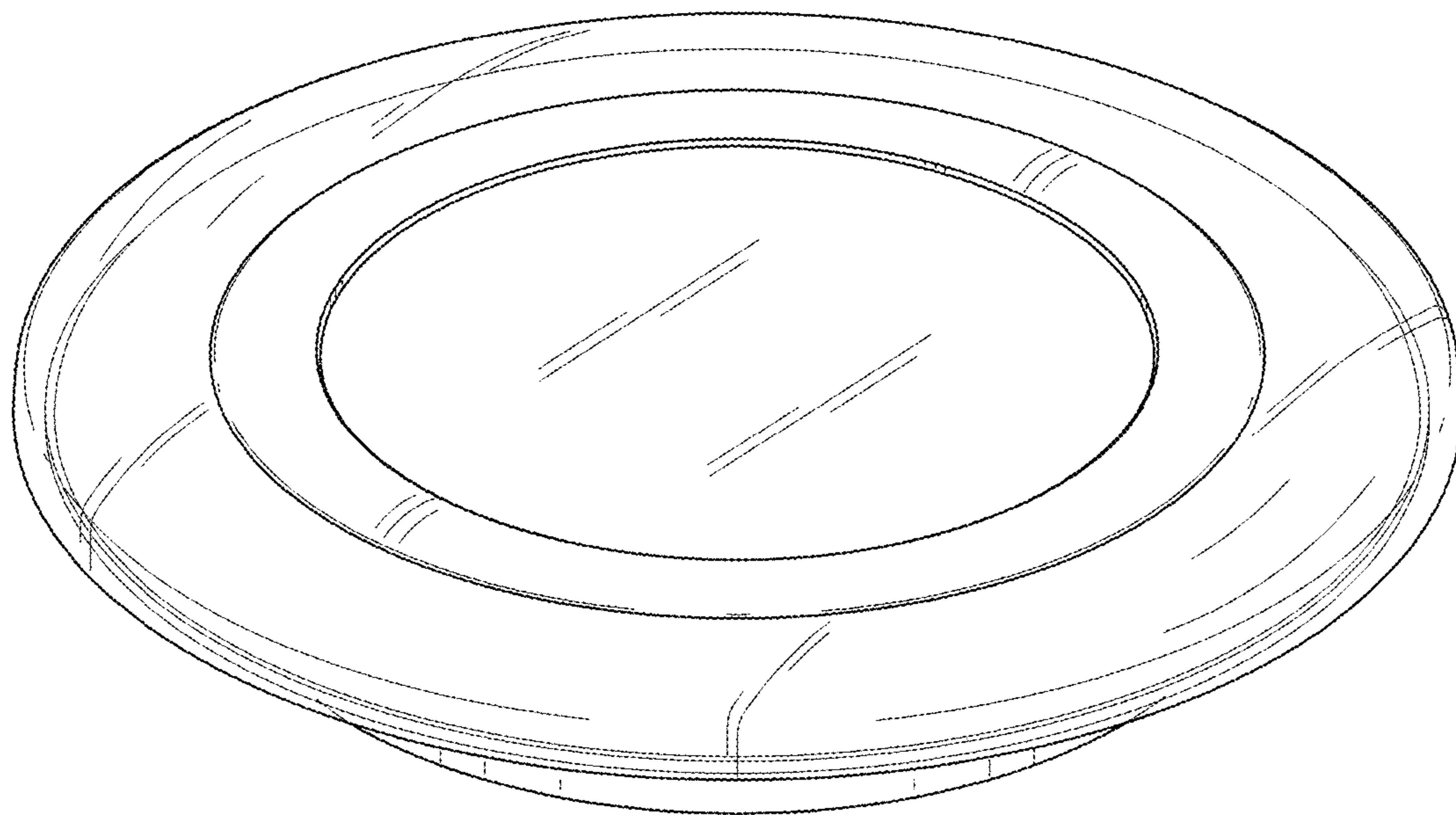


FIG. 2

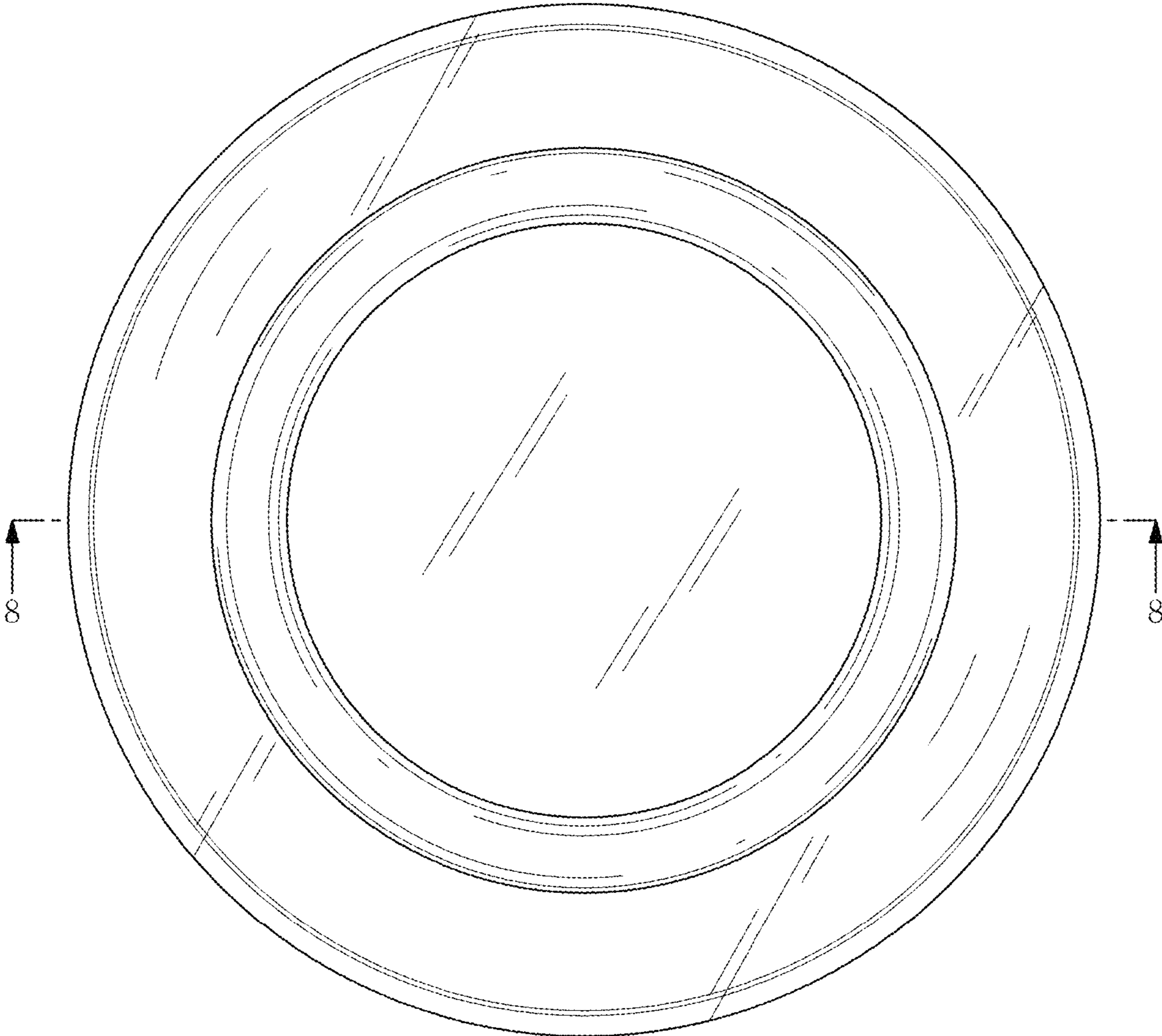


FIG. 3

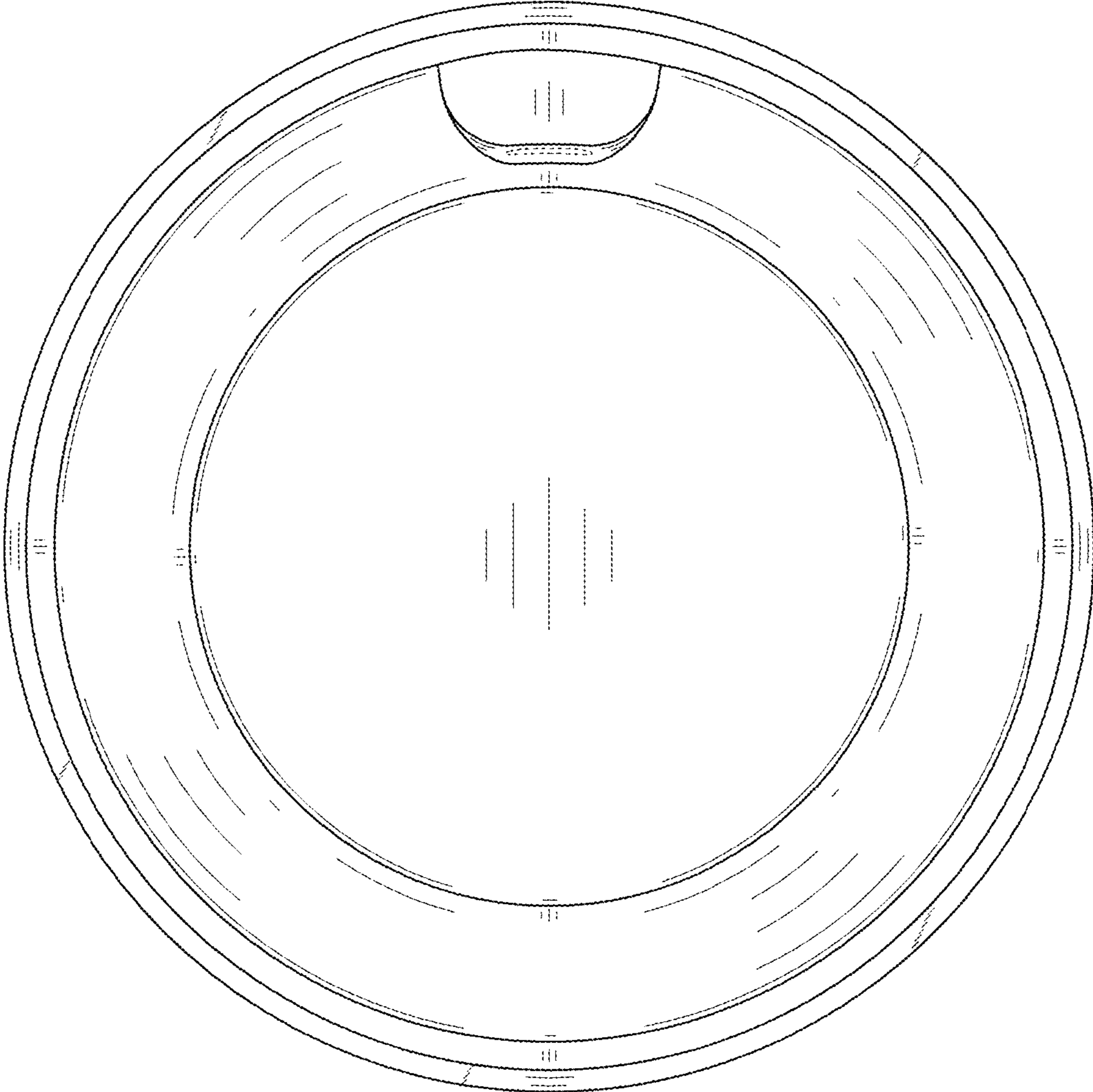


FIG. 4

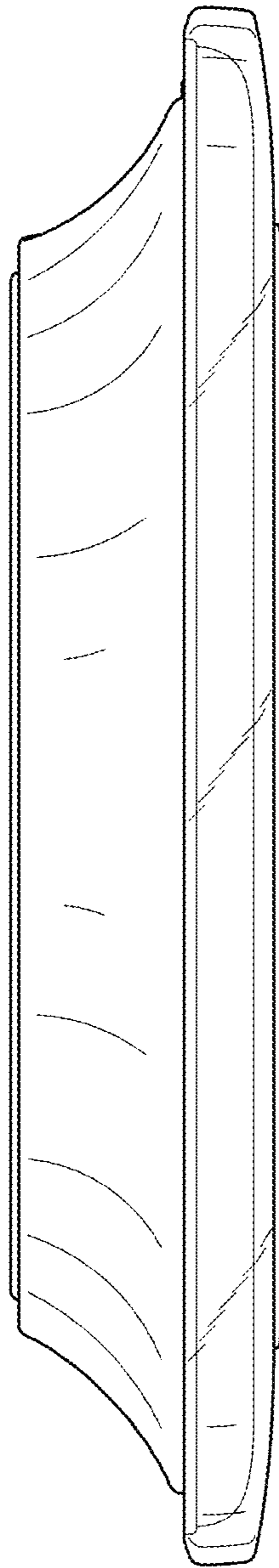


FIG. 5

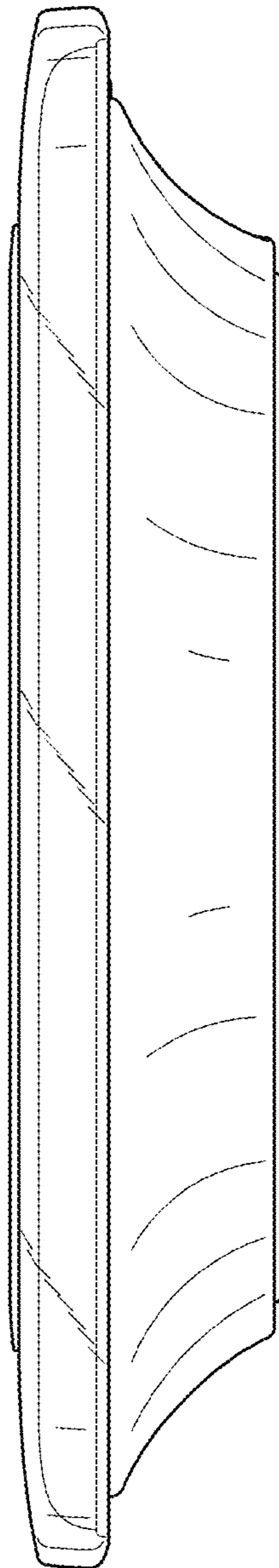


FIG. 6

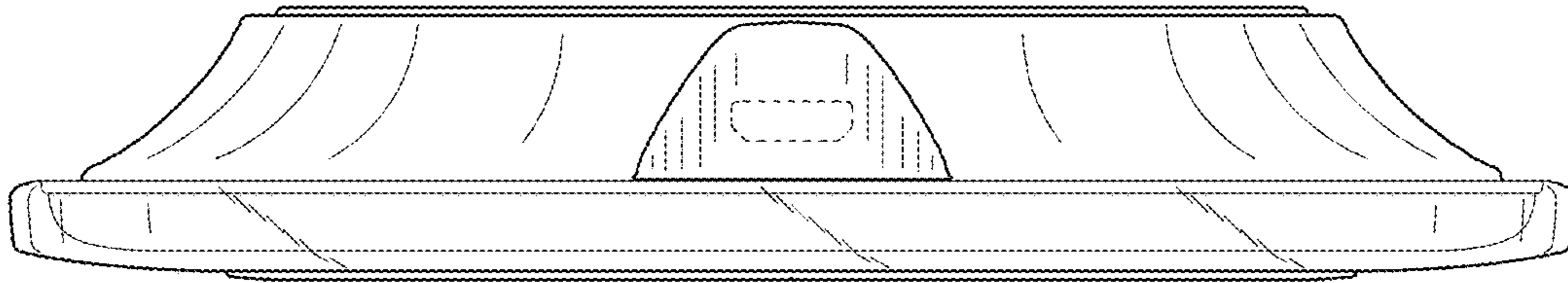


FIG. 7

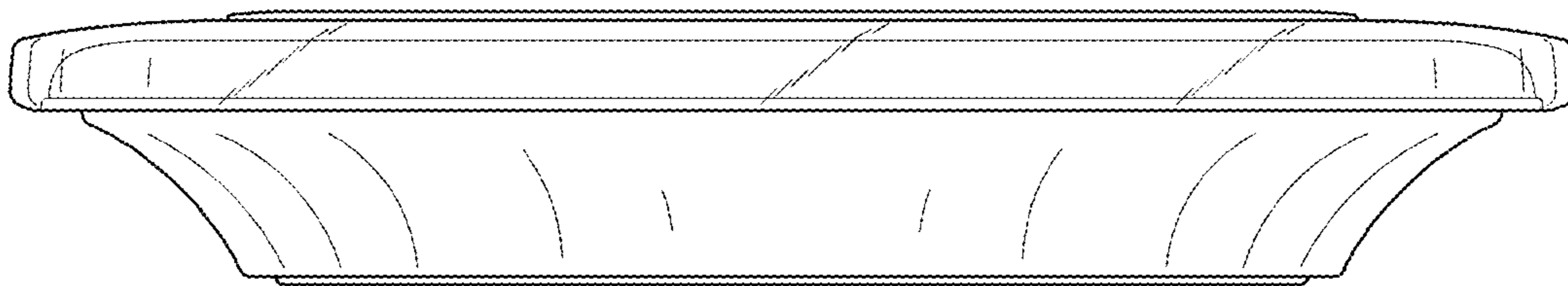


FIG. 8

