



US00D794556S

(12) **United States Design Patent** (10) **Patent No.:** **US D794,556 S**  
**Liao** (45) **Date of Patent:** **\*\* Aug. 15, 2017**

(54) **PORTABLE CHARGER FOR SMART WATCH**

(71) Applicant: **Zhuowen Liao**, Shenzhen (CN)

(72) Inventor: **Zhuowen Liao**, Shenzhen (CN)

(\*\*) Term: **15 Years**

(21) Appl. No.: **29/564,116**

(22) Filed: **May 11, 2016**

(30) **Foreign Application Priority Data**

Apr. 28, 2016 (CN) ..... 2016 3 0149650

(51) **LOC (10) Cl.** ..... **13-02**

(52) **U.S. Cl.**  
USPC ..... **D13/107; D3/208**

(58) **Field of Classification Search**  
USPC ..... D13/107-110, 118, 119, 184; D14/251,  
D14/253, 432, 434; D3/207, 208  
CPC ..... Y02E 60/12; Y02T 90/14; Y02T 90/122;  
Y02T 90/128; Y02T 90/163; H02J 7/025;  
H02J 7/0042; H02J 7/0044; H02J 7/0045;  
H02J 7/0003; H01F 38/14; H01R  
13/6675; H01M 2/1022; H01M 2/1055;  
H01M 10/44; H01M 10/46; H01M  
10/425; B60L 11/182

See application file for complete search history.

(56) **References Cited**

**U.S. PATENT DOCUMENTS**

D370,623 S \* 6/1996 Wenger ..... D8/367  
D435,835 S \* 1/2001 Steck ..... D13/168  
D572,170 S \* 7/2008 Nielsen ..... D11/207  
D596,622 S \* 7/2009 Lee ..... D14/218  
D613,737 S \* 4/2010 Ahlstrom ..... D14/344  
D648,522 S \* 11/2011 Gorman ..... D3/215  
D653,967 S \* 2/2012 Blake ..... D10/31  
D683,251 S \* 5/2013 Dumas ..... D10/104.2  
D719,959 S \* 12/2014 Vogel ..... D14/447

D725,034 S \* 3/2015 Chen ..... D13/108  
D733,656 S \* 7/2015 Anderssen ..... D13/147  
D735,131 S \* 7/2015 Akana ..... D13/108  
D737,762 S \* 9/2015 Aumiller ..... D13/108  
D747,267 S \* 1/2016 Aumiller ..... D13/108  
D768,114 S \* 10/2016 Hou ..... D13/168  
D771,324 S \* 11/2016 Churchill ..... D30/153  
2013/0028457 A1 \* 1/2013 Yeh ..... H04R 1/10  
381/334  
2016/0079781 A1 \* 3/2016 Kyriakoulis ..... H02J 7/0044  
320/114  
2016/0246326 A1 \* 8/2016 von Badinski ..... G01P 15/00

**OTHER PUBLICATIONS**

Apple Watch Portable Charger, amazon.com, retrieved on Jan. 28, 2017, retrieved from the Internet: URL< https://www.amazon.com/Portable-Oittm-Wireless-External-Keychain/dp/B01N2KJNQV.\*

(Continued)

*Primary Examiner* — Rosemary K Tarcza  
*Assistant Examiner* — Alison Ofstun  
(74) *Attorney, Agent, or Firm* — Roger H. Chu

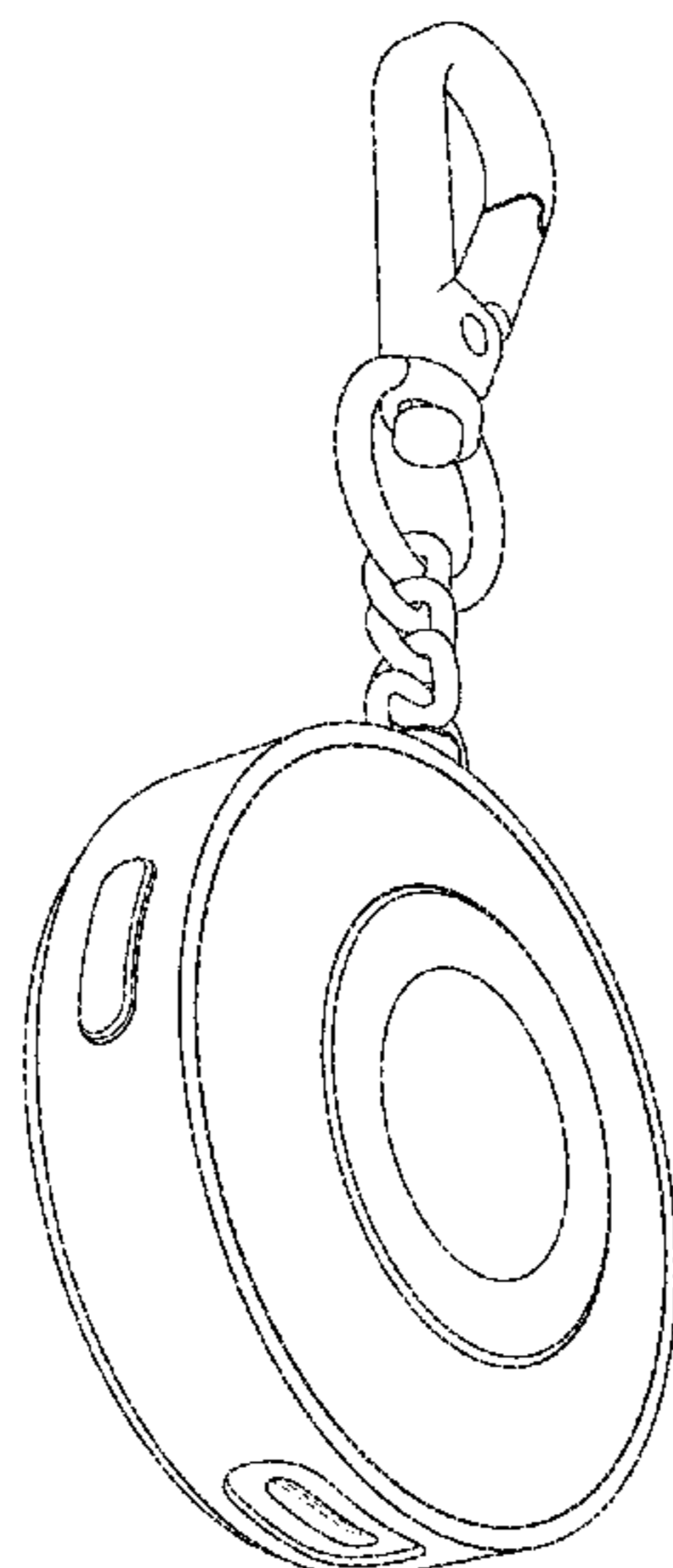
(57) **CLAIM**

The ornamental design for a portable charger for a smart watch, as shown and described.

**DESCRIPTION**

FIG. 1 is a top view of a portable charger for smart watch showing my design;  
FIG. 2 is a left side view thereof;  
FIG. 3 is a right side view thereof;  
FIG. 4 is a bottom view thereof;  
FIG. 5 is a front view thereof;  
FIG. 6 is a rear view thereof; and,  
FIG. 7 is a perspective view thereof.  
The broken lines present in the figures are included for the purpose of illustrating portions of the article that form no part of the claimed design.

**1 Claim, 5 Drawing Sheets**



(56)

**References Cited**

OTHER PUBLICATIONS

Fons and Porter Retractable Tape Measure, amazon.com, review posted on Aug. 31, 2014, retrieved on Jan. 28, 2017, retrieved from the Internet: URL< [https://www.amazon.com/dp/B000J380QO/ref=asc\\_df\\_B000J380QO4793562?smid=ATVPDKIKX0DER&tag=merbethomgarbhg-20&linkCode=df0&creative=395093&creativeASIN=B000J380QO&ascsubtag=143862351](https://www.amazon.com/dp/B000J380QO/ref=asc_df_B000J380QO4793562?smid=ATVPDKIKX0DER&tag=merbethomgarbhg-20&linkCode=df0&creative=395093&creativeASIN=B000J380QO&ascsubtag=143862351).\*

\* cited by examiner

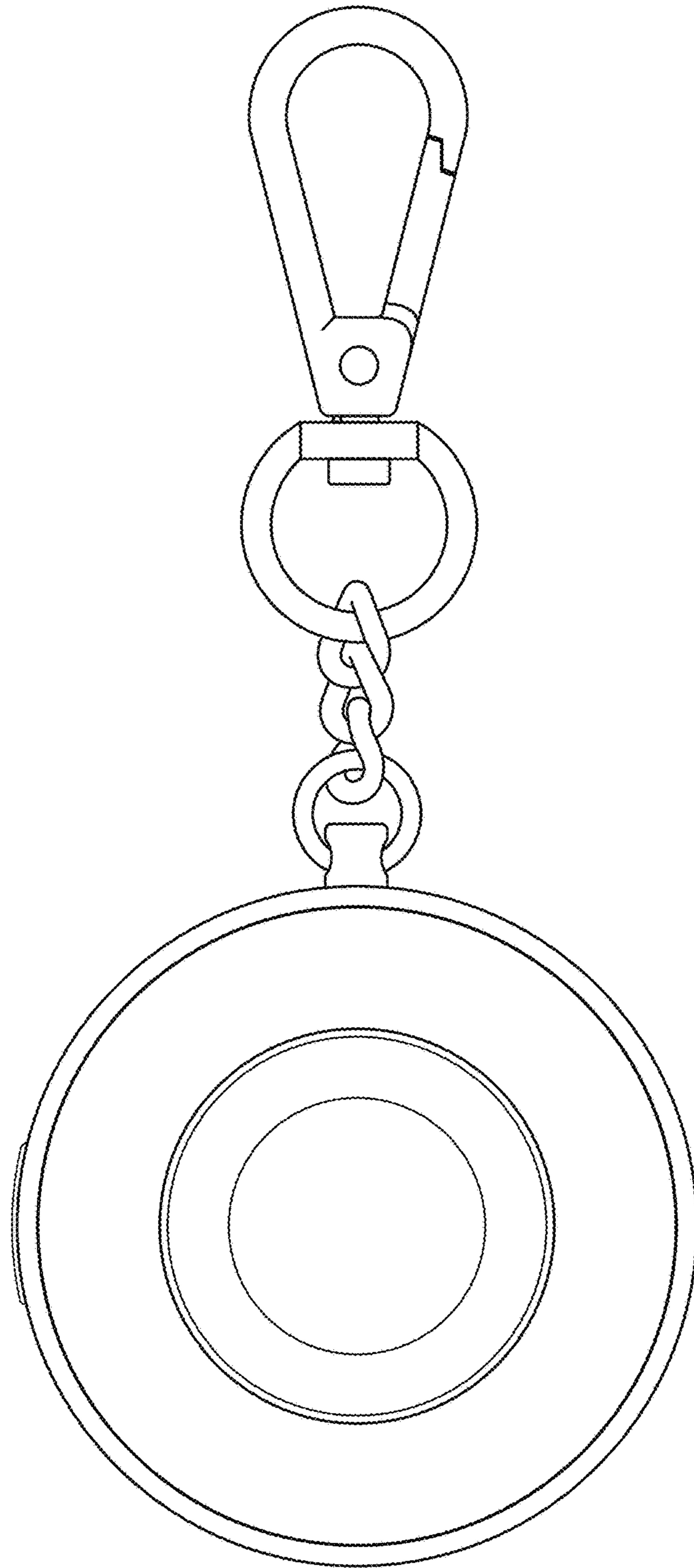


FIG. 1

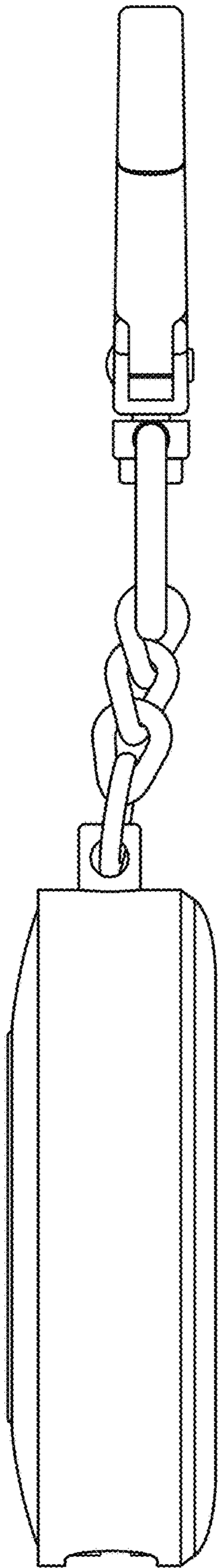


FIG. 2

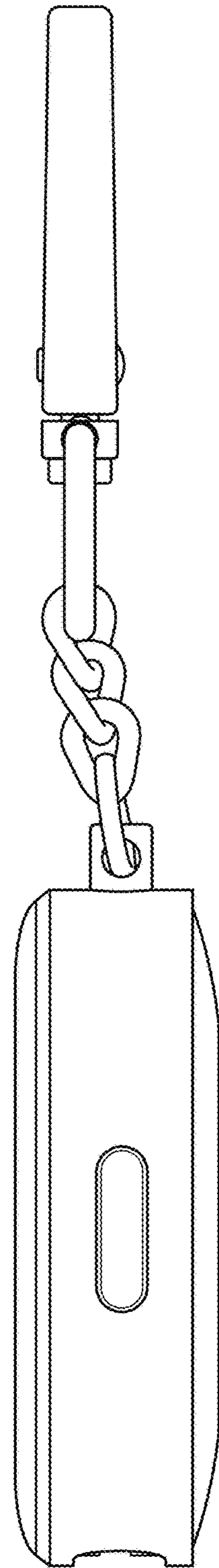


FIG. 3

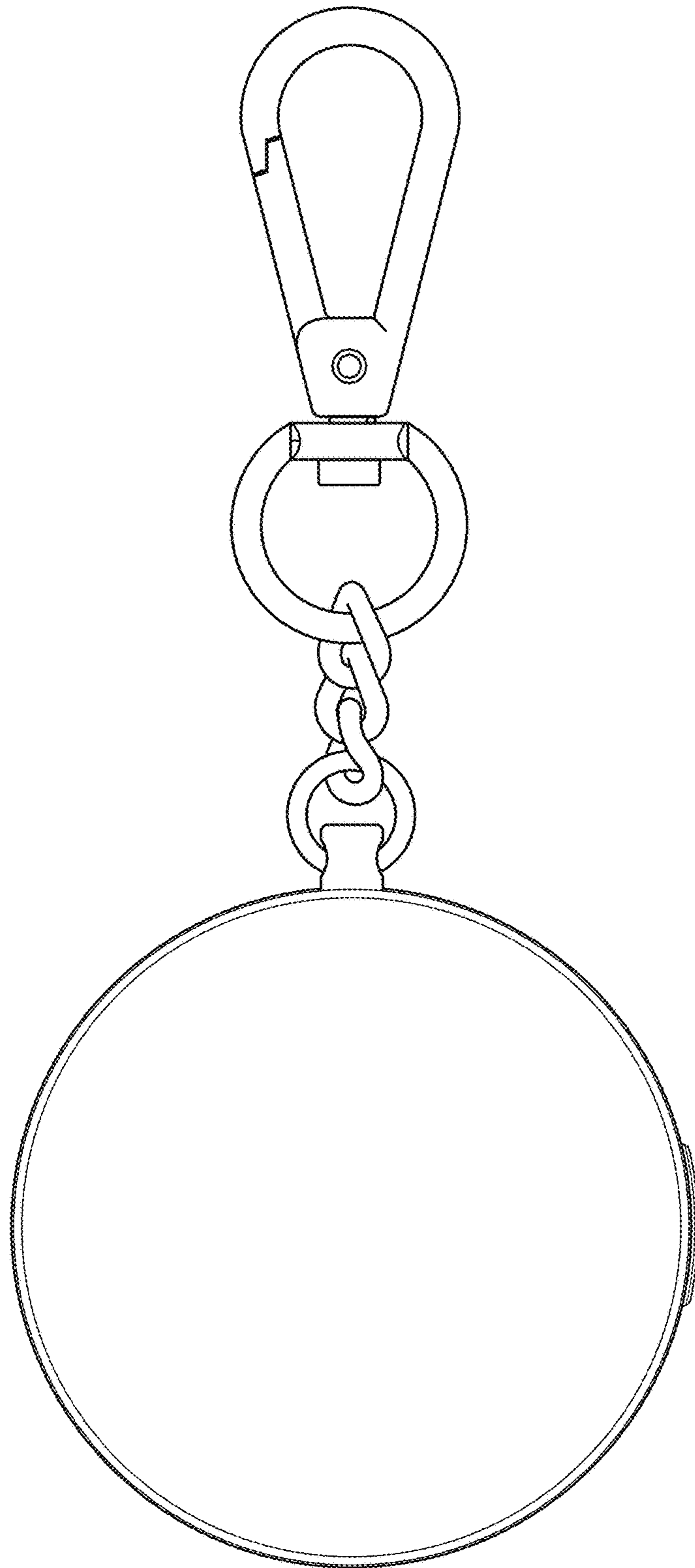
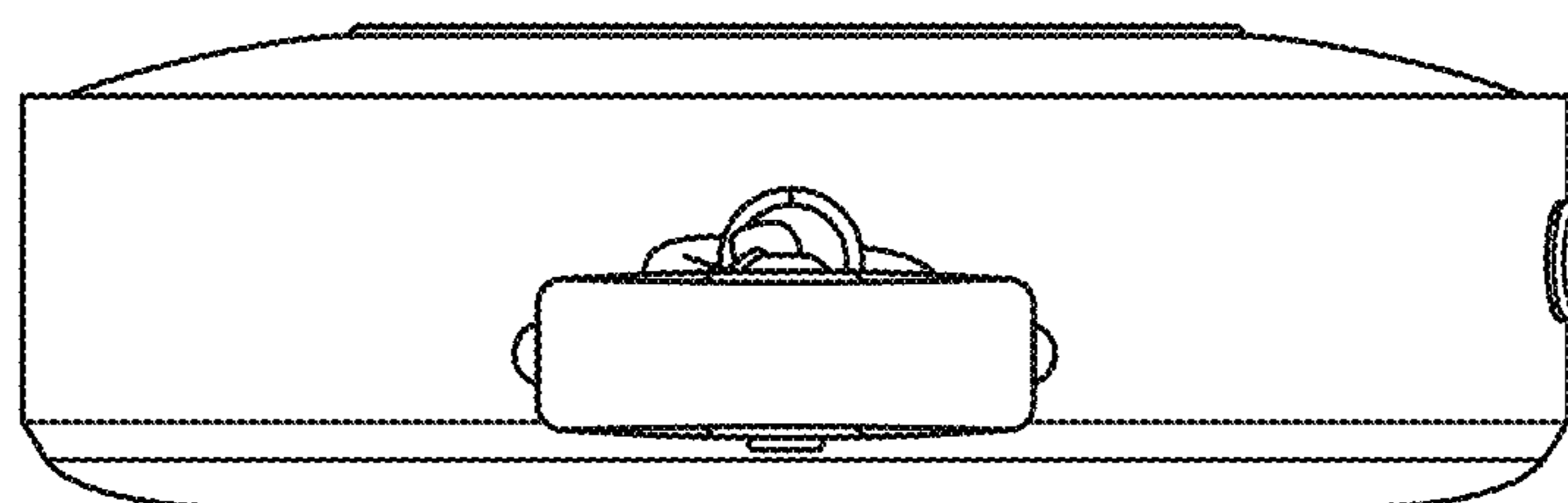
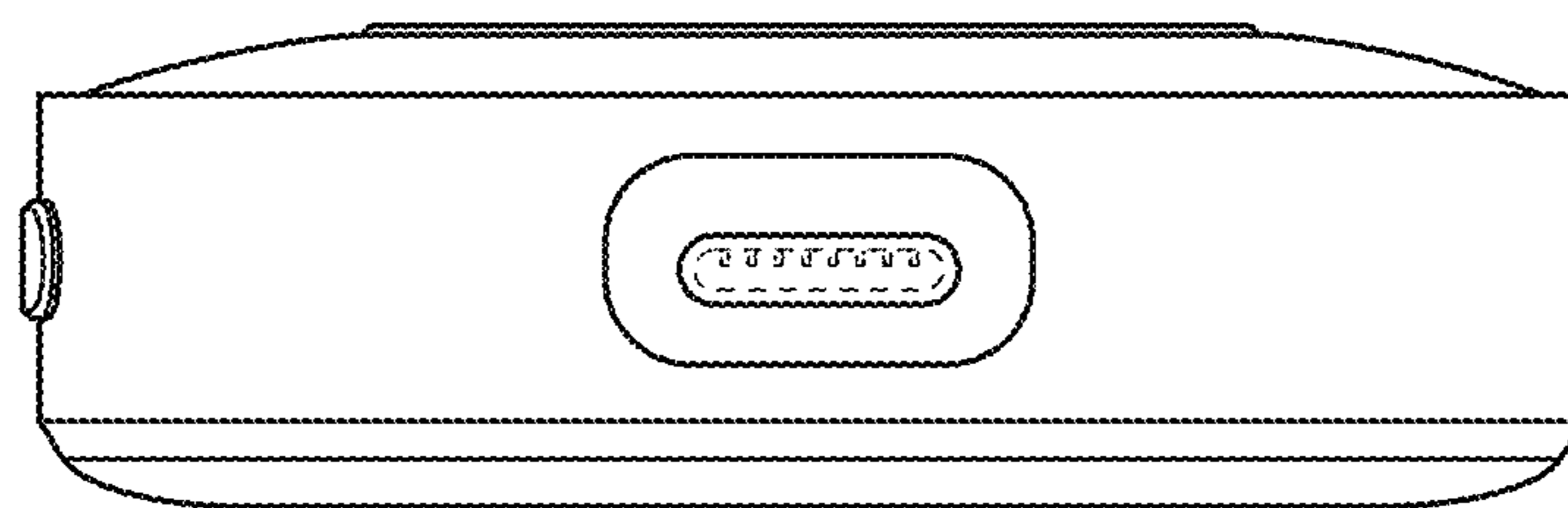


FIG. 4



*FIG. 5*



*FIG. 6*

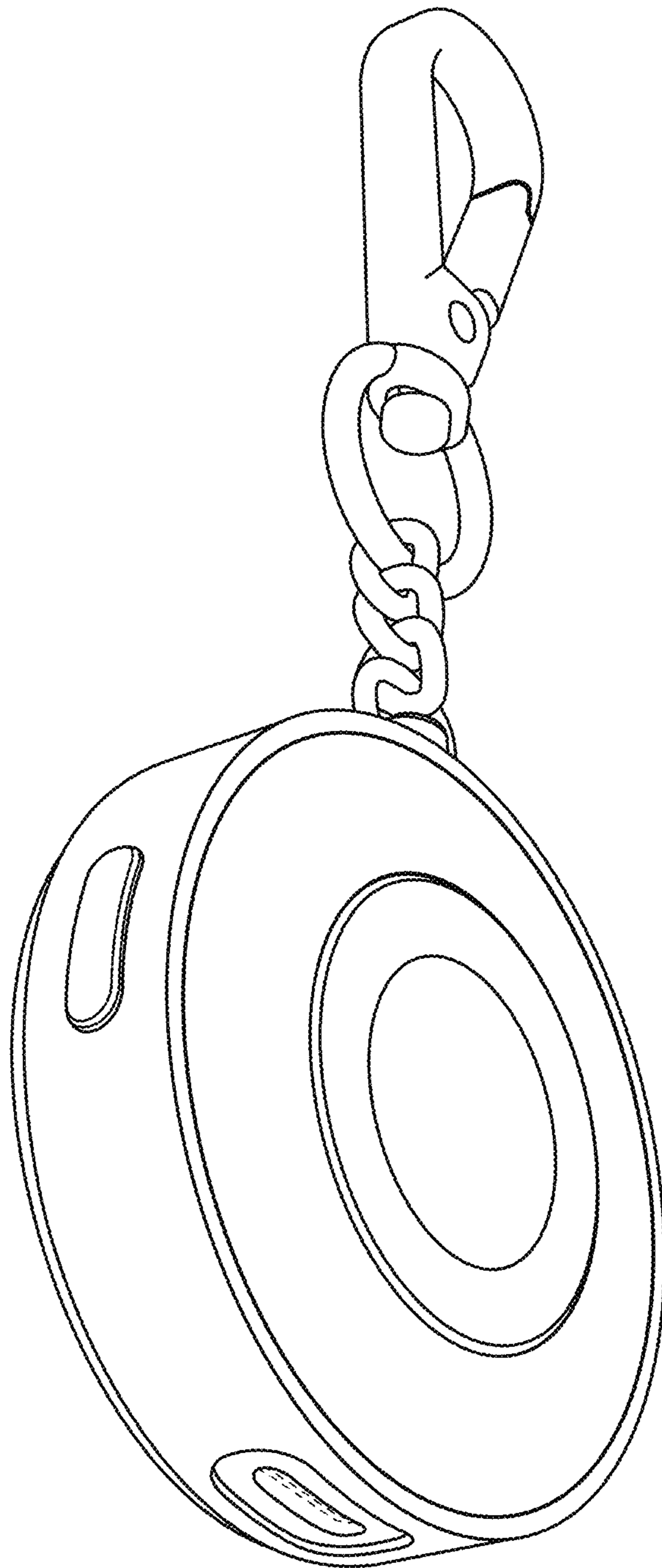


FIG. 7