

US00D794555S

(12) **United States Design Patent**
Meyerhoffer

(10) **Patent No.:** **US D794,555 S**

(45) **Date of Patent:** **** Aug. 15, 2017**

(54) **CHARGING DEVICE**

(71) Applicant: **Thomas E. Meyerhoffer**, Montara, CA
(US)

(72) Inventor: **Thomas E. Meyerhoffer**, Montara, CA
(US)

(**) Term: **14 Years**

(21) Appl. No.: **29/520,714**

(22) Filed: **Mar. 17, 2015**

(51) **LOC (10) Cl.** **13-02**

(52) **U.S. Cl.**
USPC **D13/107**

(58) **Field of Classification Search**

USPC D13/102-110, 118-119, 184, 199;
D14/356, 432; 320/103, 111-115, 135,
320/138, 140

CPC Y02E 60/10; Y02E 60/12; Y02E 60/122;
Y02E 60/124; Y02E 60/50; H01M 2/02;
H01M 2/022; H01M 2/0202; H01M
2/0207; H01M 2/0212; H01M 2/1061;
H01M 2/1022; H01M 2/1055; H01M
2/1066; H01M 2/105; H01M 2/20; H01M
2/202; H01M 2/204; H01M 2/206; H01M
10/44; H01M 10/46; H01M 10/465;
H01M 10/482; H01M 2200/30; H01M
2250/30; H01M 2250/40; H02J 7/00;
H02J 7/0003; H02J 7/0011; H02J 7/0013;
H02J 7/0054; H02J 7/0055; H02J 7/0057;
H02J 2007/0062

See application file for complete search history.

(56) **References Cited**

U.S. PATENT DOCUMENTS

D300,349 S 3/1989 Ennis, III
D314,178 S 1/1991 Reber
D359,052 S * 6/1995 Nagele D14/253
D391,943 S * 3/1998 Han D14/356

D474,448 S 5/2003 Bosch
D483,014 S * 12/2003 Hsiao D13/107
D496,038 S * 9/2004 Floyd D14/356
D505,389 S 5/2005 Chang
D508,458 S * 8/2005 Solland D13/108
D515,027 S * 2/2006 Groh D13/103
D521,927 S * 5/2006 Franck D13/108
D557,658 S 12/2007 Ledbetter et al.
D558,207 S * 12/2007 Ikeda D14/434
D558,208 S * 12/2007 Ikeda D14/434
D575,289 S * 8/2008 Kuo D14/434
D585,375 S 1/2009 Andre et al.
D602,856 S * 10/2009 Lu D13/102
D602,858 S * 10/2009 Ellis D13/108

(Continued)

Primary Examiner — Rosemary K Tarcza

Assistant Examiner — Sanjeev Paul

(74) *Attorney, Agent, or Firm* — Paradice and Li LLP

(57) **CLAIM**

The ornamental design for a charging device, as shown and described.

DESCRIPTION

FIG. 1 is a front perspective view of a charging device showing my new design;

FIG. 2 is a top view thereof with the bottom view being a mirror image;

FIG. 3 is a left side view with the right side view being a mirror image;

FIG. 4 is a front view thereof, showing the male connector of the charging device;

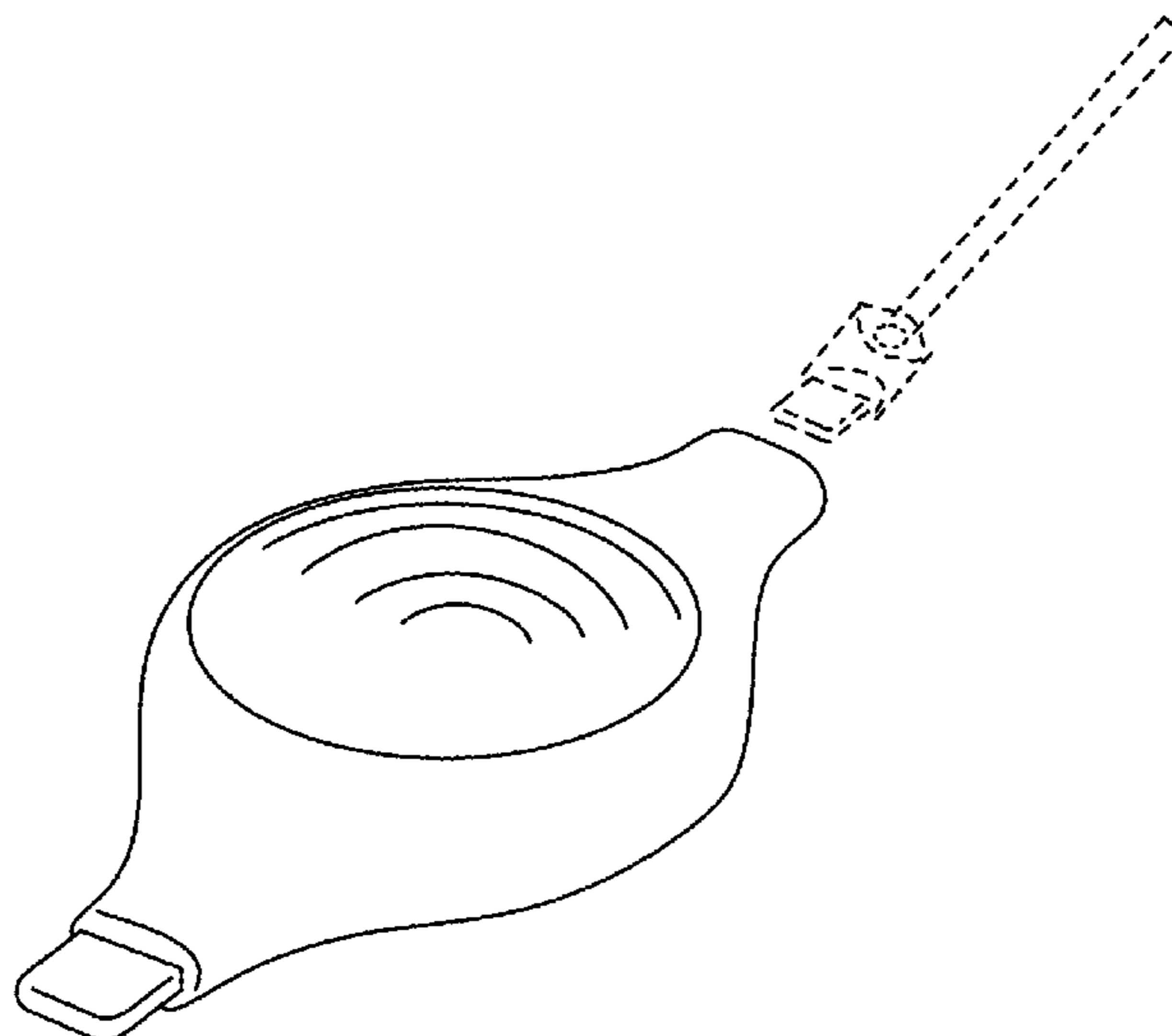
FIG. 5 is a rear view thereof, showing the female connector of the charging device;

FIG. 6 is another front perspective view of the charging device shown in use; and,

FIG. 7 is another front perspective view of the charging device shown in use.

The broken lines shown in the drawings are included for the purpose of illustrating environmental structure and form no part of the claimed design.

1 Claim, 5 Drawing Sheets



(56)

References Cited

U.S. PATENT DOCUMENTS

D608,277 S *	1/2010	Cano	D13/108	D736,702 S *	8/2015	Ovadia	D13/108
D609,636 S *	2/2010	Jensen	D13/108	D737,760 S *	9/2015	Kyriakoulis	D13/108
D618,618 S	6/2010	Lee et al.		D737,762 S *	9/2015	Aumiller	D13/108
D620,884 S *	8/2010	Lee	D13/108	D738,303 S *	9/2015	Symons	D13/108
D625,262 S *	10/2010	Lee	D13/118	D738,527 S *	9/2015	Benarieh	D13/110
D629,806 S *	12/2010	Ho	D14/434	D738,823 S *	9/2015	Chen	D13/108
D632,653 S	2/2011	Wikel et al.		D740,750 S *	10/2015	Mayden	D13/108
D633,442 S *	3/2011	Charleux	D13/110	D741,256 S *	10/2015	Murphy-Reinhertz	D13/108
D634,268 S *	3/2011	Reishus	D13/108	D741,797 S *	10/2015	Liu	D13/108
D645,818 S *	9/2011	Guccione	D13/108	D747,267 S *	1/2016	Aumiller	D13/108
D656,096 S *	3/2012	Sasada	D13/108	D749,504 S *	2/2016	Jeong	D13/108
D659,093 S *	5/2012	Schmid	D13/108	2003/0142817 A1 *	7/2003	Liao	H02J 7/0054 379/428.01
D669,027 S *	10/2012	Kumpula	D13/108	2007/0159795 A1 *	7/2007	Cho	H02M 7/043 361/695
D669,848 S *	10/2012	Andresen	D13/102	2010/0060081 A1 *	3/2010	Cheong	H01R 13/6675 307/66
D672,308 S *	12/2012	Cobbett	D13/107	2012/0280657 A1 *	11/2012	Chang	H02K 7/063 320/114
D673,110 S *	12/2012	Sasada	D13/108	2012/0320546 A1 *	12/2012	Wu	H02G 11/02 361/755
D687,772 S *	8/2013	Chikos	D13/108	2014/0339895 A1 *	11/2014	Miklitsch	H02J 7/0047 307/31
D691,086 S *	10/2013	Custon	D13/108	2015/0188339 A1 *	7/2015	Green	H02J 7/0042 320/108
D696,190 S *	12/2013	Brandtman	D13/108	2015/0244179 A1 *	8/2015	Ritter	H02J 5/005 307/104
D697,475 S *	1/2014	Regole	D13/108	2015/0348697 A1 *	12/2015	Graham	H01F 27/2823 336/189
D700,571 S *	3/2014	Guccione	D13/108	2015/0359127 A1 *	12/2015	Daoura	H02J 7/025 320/101
D701,831 S *	4/2014	Park	D13/108	2016/0064137 A1 *	3/2016	Perez	H01F 27/2823 336/90
D704,634 S *	5/2014	Eidelman	D13/108	2016/0064947 A1 *	3/2016	Heresztyn	H02J 5/005 307/104
D704,635 S *	5/2014	Fourquet	D13/108	2016/0064992 A1 *	3/2016	Herbst	H02J 7/025 307/104
D706,212 S *	6/2014	Zwierstra	D13/107				
D708,132 S *	7/2014	Wen	D13/108				
D718,236 S *	11/2014	Murray	D13/108				
D718,712 S *	12/2014	Aumiller	D13/108				
D720,289 S *	12/2014	Chiang	D13/108				
D722,020 S *	2/2015	Benedict	D13/110				
D722,292 S *	2/2015	De Klein	D13/108				
D722,959 S *	2/2015	Bulgarov	D13/108				
D725,034 S *	3/2015	Chen	D13/108				
D730,826 S *	6/2015	Moanack	D13/110				
D734,254 S *	7/2015	Chen	D13/108				
D735,131 S *	7/2015	Akana	D13/108				

* cited by examiner

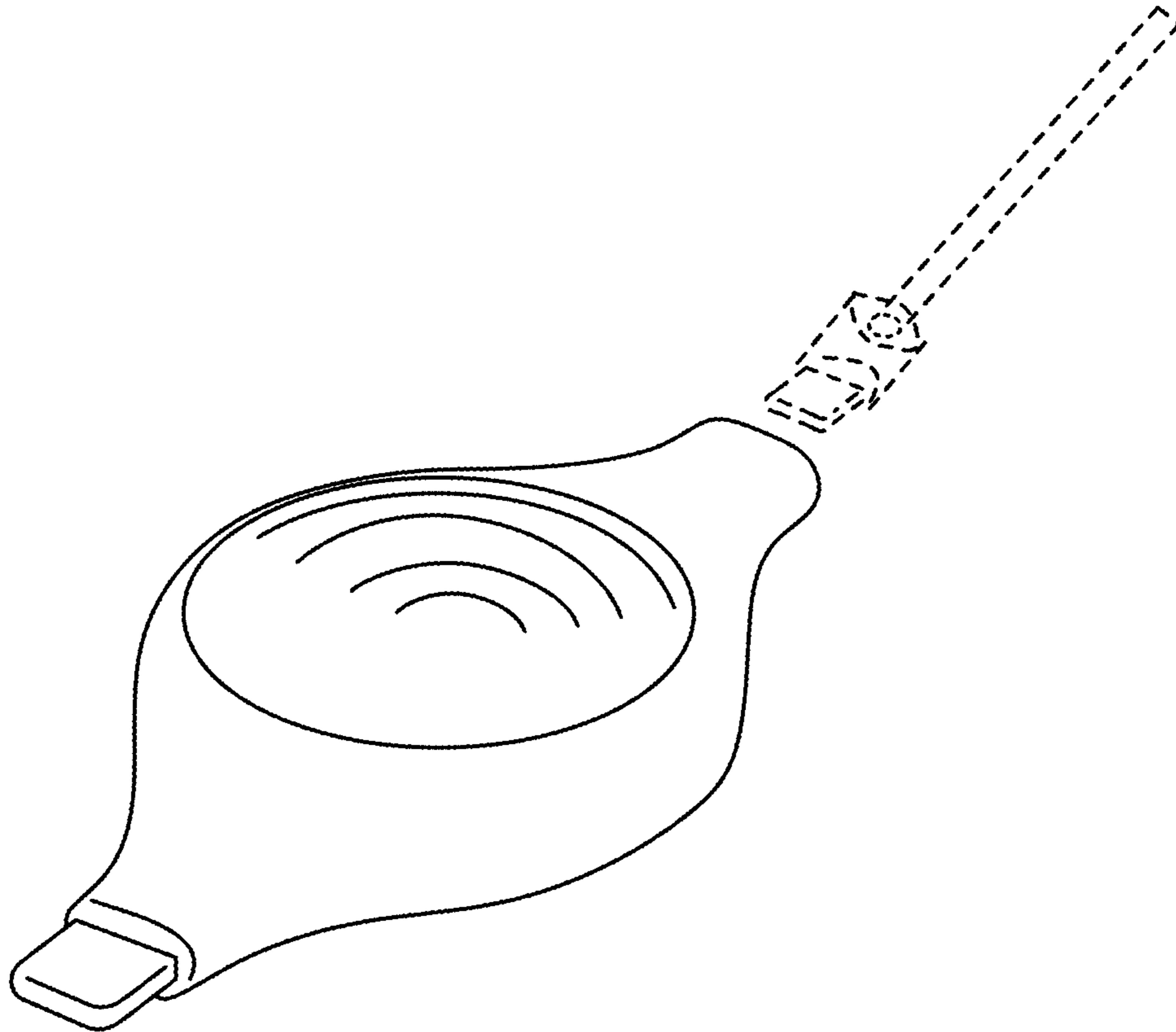


FIG. 1

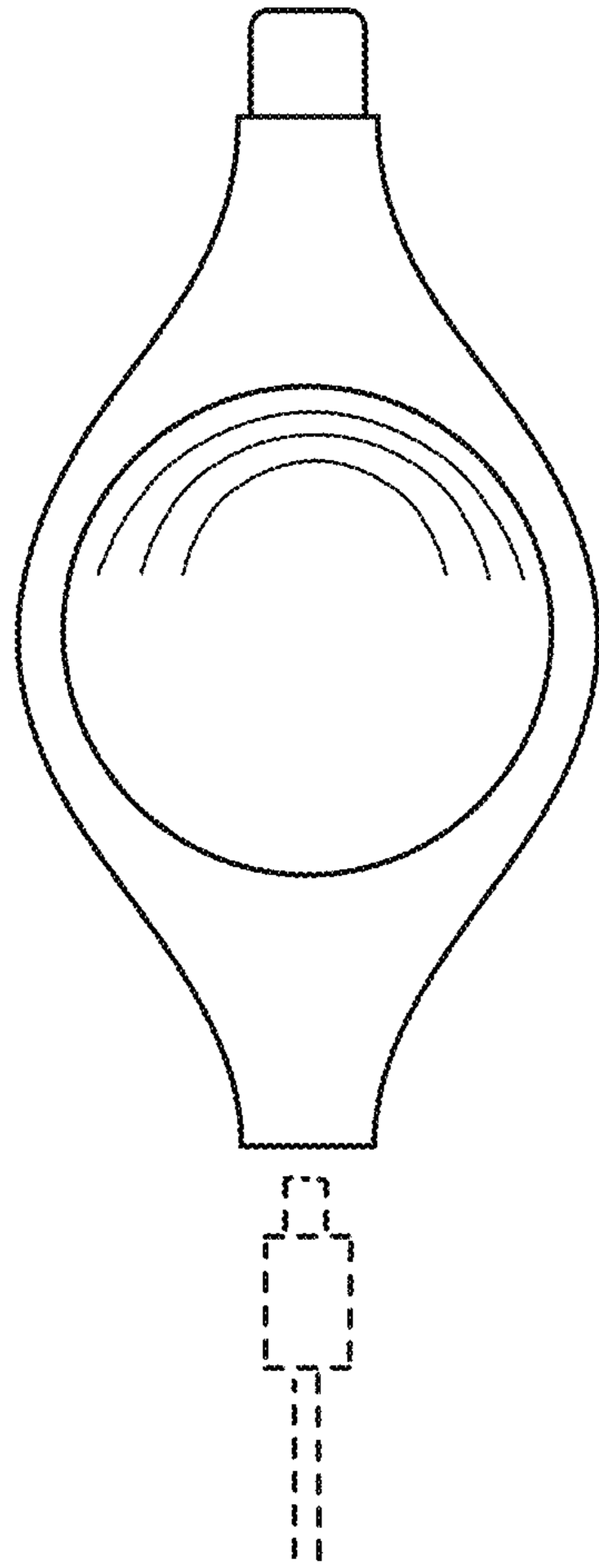


FIG. 2



FIG. 3

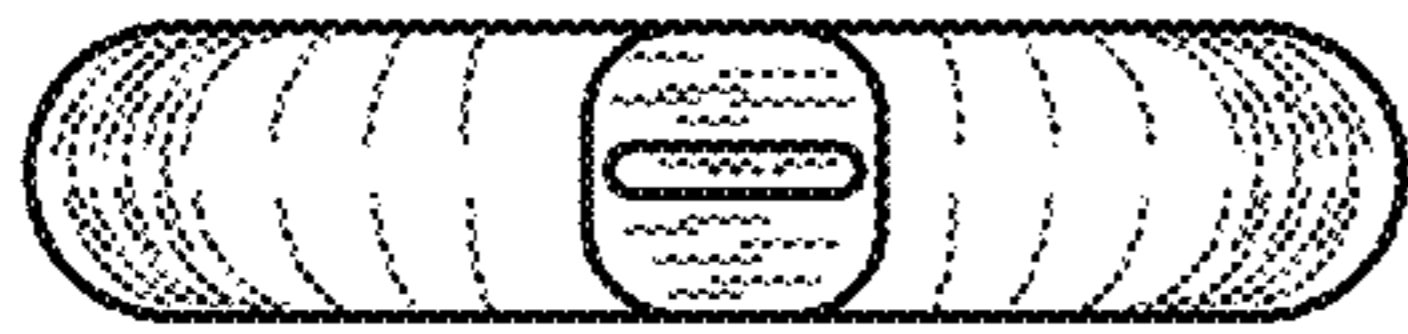


FIG. 4

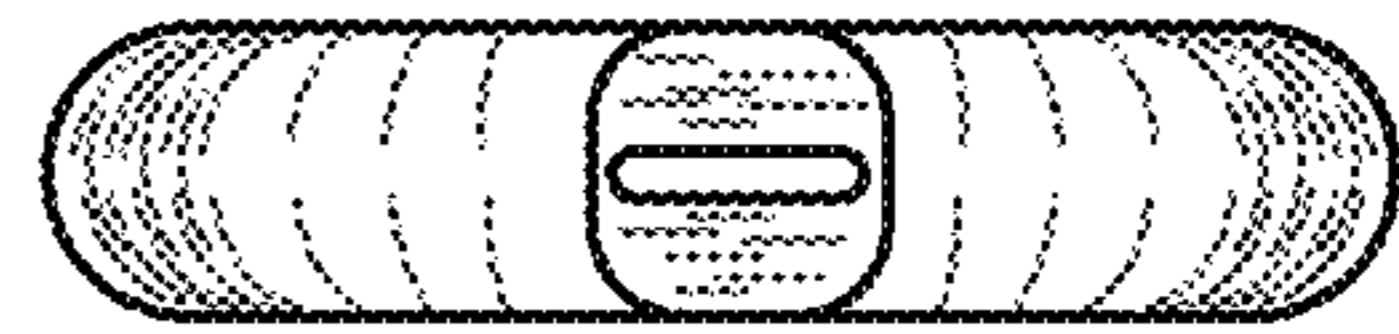


FIG. 5

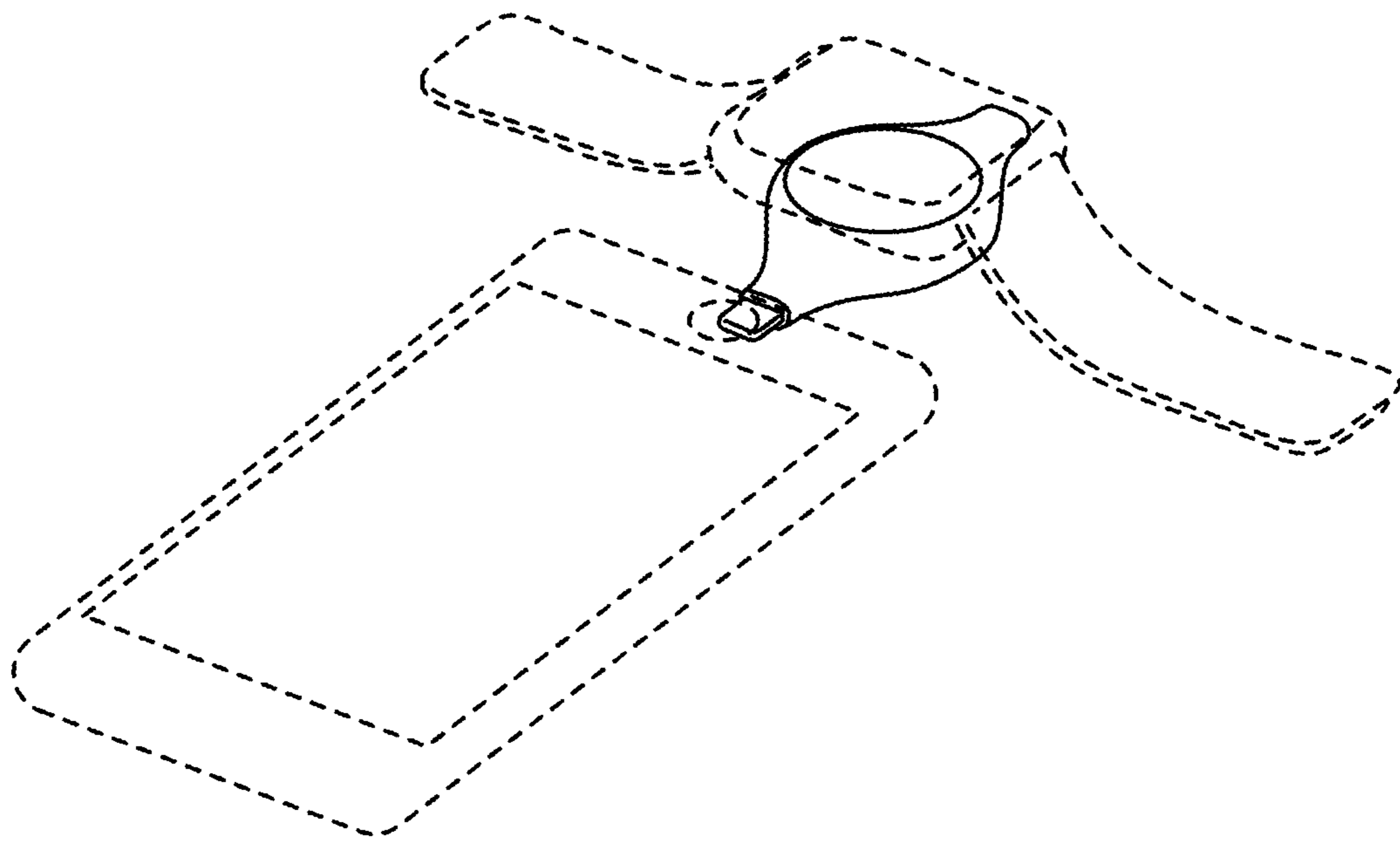


FIG. 6

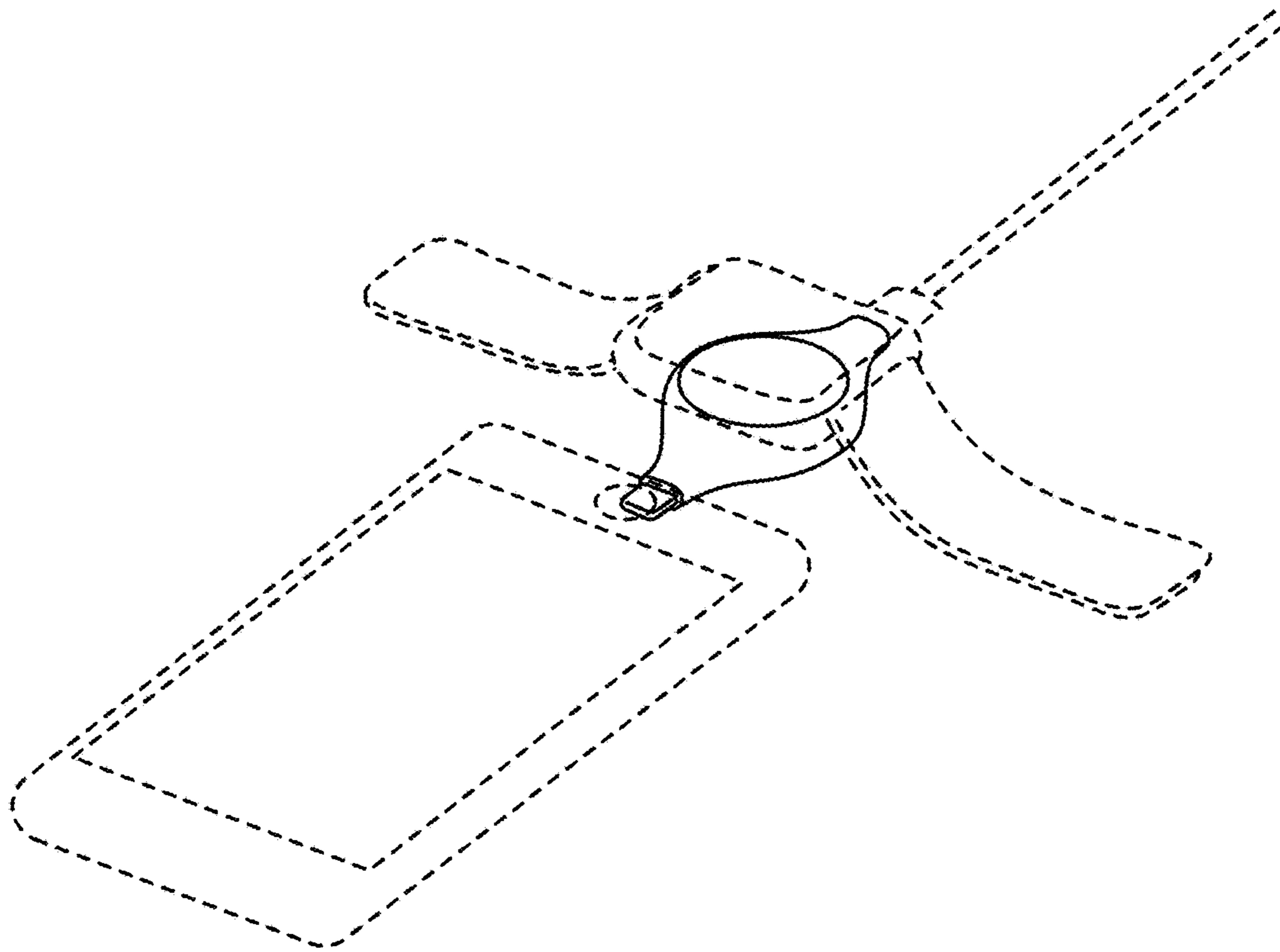


FIG. 7