



US00D794547S

(12) **United States Design Patent** (10) **Patent No.:** **US D794,547 S**  
**Neubauer** (45) **Date of Patent:** **\*\* \*Aug. 15, 2017**

- (54) **TIRE**
- (71) Applicant: **The Goodyear Tire & Rubber Company, Akron, OH (US)**
- (72) Inventor: **Robert Anthony Neubauer, Medina, OH (US)**
- (73) Assignee: **The Goodyear Tire & Rubber Company, Akron, OH (US)**
- (\*) Notice: This patent is subject to a terminal disclaimer.
- (\*\*) Term: **15 Years**
- (21) Appl. No.: **29/556,902**
- (22) Filed: **Mar. 4, 2016**
- (51) **LOC (10) Cl.** ..... **12-15**
- (52) **U.S. Cl.**  
USPC ..... **D12/581**
- (58) **Field of Classification Search**  
USPC ..... D12/568-604, 900  
CPC ..... B60C 1/0016; B60C 11/0306; B60C 11/0302; B60C 3/06; B60C 9/17  
See application file for complete search history.

- D481,668 S 11/2003 Hanna ..... D12/579
  - D482,321 S \* 11/2003 Hanna ..... D12/579
  - D498,729 S 11/2004 Neubauer et al. .... D12/579
- (Continued)

**OTHER PUBLICATIONS**

Goodyear RM-4B+ Tire found online [Nov. 4, 2016] <http://www.tyrepress.com/2016/11/emea-launch-for-goodyear-rm-4b-range/>.\*

*Primary Examiner* — Robert M Spear  
*Assistant Examiner* — John Voytek  
(74) *Attorney, Agent, or Firm* — Robert N. Lipsik

(57) **CLAIM**

The ornamental design for a tire, as shown and described.

**DESCRIPTION**

FIG. 1 is a perspective view of a tire showing my new design, it being understood that the pattern repeats uniformly throughout the circumference of the tread;  
 FIG. 2 is a front elevational view thereof;  
 FIG. 3 is a right side elevational view thereof; the left side elevational view being identical thereto;  
 FIG. 4 is an enlarged fragmentary front elevational view thereof;  
 FIG. 5 is a perspective view of a second embodiment of a tire showing my new design, it being understood that the pattern repeats uniformly throughout the circumference of the tread and that the opposite side view is identical thereto; and,  
 FIG. 6 is a front elevational view of a second embodiment, it being understood that an enlarged fragmentary view thereof would be substantially identical to that shown in FIG. 4, with the exception of the inclusion of the sidewall in the claim.

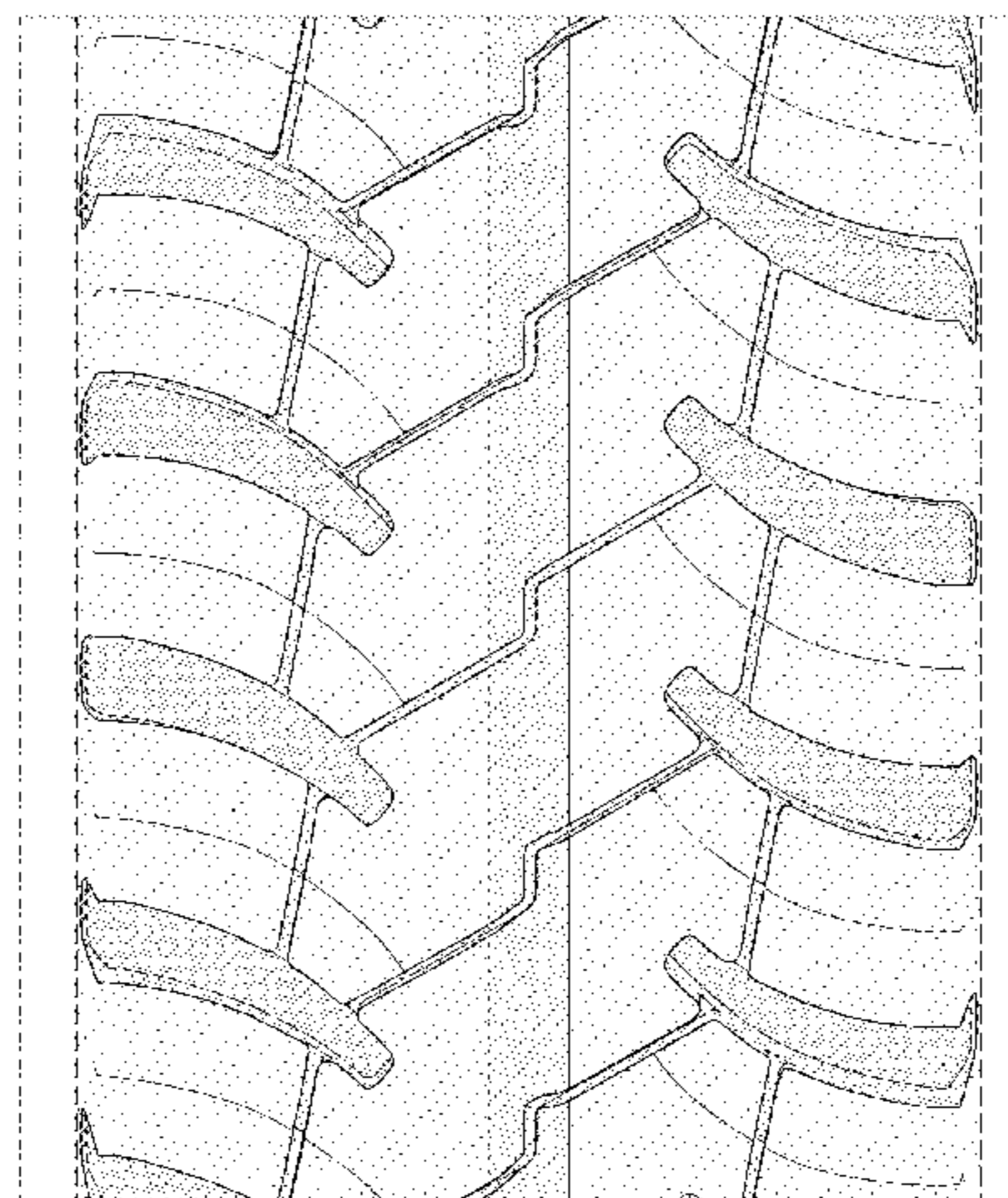
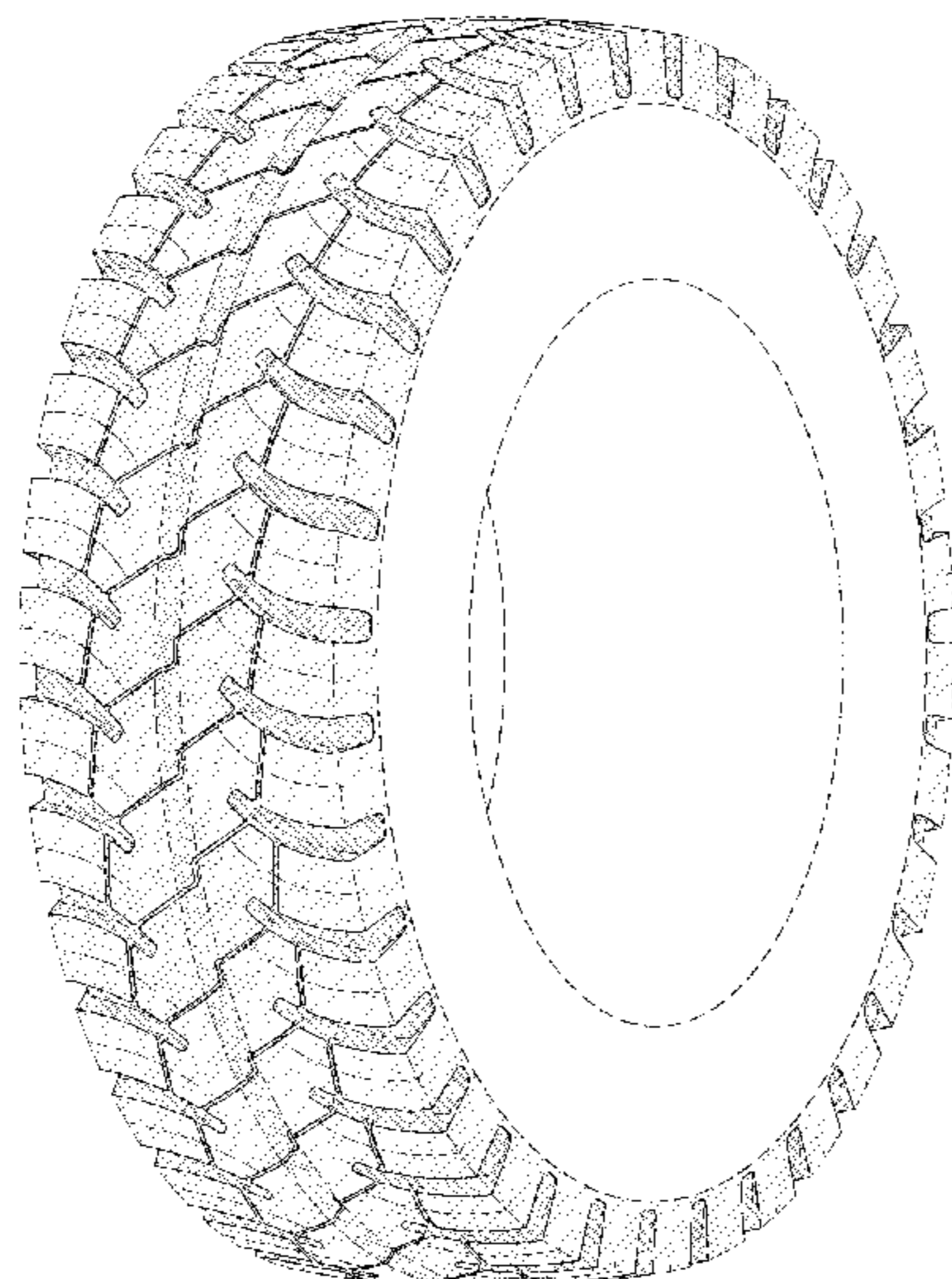
In the drawings, the broken lines showing of the sidewall, inner bead and the peripheral boundary between the tire tread and the sidewall in FIGS. 1 through 4 depict environmental subject matter and form no part of the claimed design.

**1 Claim, 6 Drawing Sheets**

(56) **References Cited**

**U.S. PATENT DOCUMENTS**

- D259,112 S 5/1981 Candiliotis ..... D12/146
- D359,715 S 6/1995 Anderson et al. .... D12/147
- D366,019 S 1/1996 Schuster et al. .... D12/147
- D388,033 S 12/1997 Scheuren et al. .... D12/146
- D412,302 S 7/1999 Rayman et al. .... D12/146
- D420,630 S 2/2000 De Coninck et al. .... D12/147
- D444,107 S 6/2001 Rayman ..... D12/147
- D457,487 S 5/2002 Rayman ..... D12/579
- D457,489 S 5/2002 Rayman ..... D12/579
- D457,854 S 5/2002 Rayman ..... D12/579
- D458,585 S 6/2002 Rayman ..... D12/602
- D458,895 S 6/2002 Rayman ..... D12/579



(56)

**References Cited**

## U.S. PATENT DOCUMENTS

D499,066	S	11/2004	Covey .....	D12/579
D499,695	S *	12/2004	Tanabe .....	D12/603
D529,434	S	10/2006	Regallis et al. ....	D12/579
D530,265	S	10/2006	Hutz et al. ....	D12/579
D536,661	S	2/2007	Maxwell .....	D12/579
D549,163	S	8/2007	Maus et al. ....	D12/579
D573,941	S	7/2008	Song .....	D12/579
D573,942	S	7/2008	Song .....	D12/579
D577,657	S	9/2008	Maus et al. ....	D12/544
D585,820	S	2/2009	Motta et al. ....	D12/599
D586,731	S	2/2009	Neubauer et al. ....	D12/579
D597,022	S *	7/2009	Pringiers .....	D12/579
D610,073	S *	2/2010	Laroche .....	D12/579
D611,892	S	3/2010	Huffman .....	D12/599
D614,118	S *	4/2010	Wells .....	D12/579
D620,428	S	7/2010	Rayman .....	D12/579
D648,262	S	11/2011	Hermann et al. ....	D12/579
D648,674	S	11/2011	Mayni et al. ....	D12/600
D652,372	S	1/2012	Rayman .....	D12/599
D662,876	S	7/2012	Larregain .....	D12/602
D673,896	S	1/2013	Dixon et al. ....	D12/581
D678,183	S *	3/2013	Larregain .....	D12/579
D695,210	S	12/2013	Tanaka .....	D12/600
D719,908	S *	12/2014	Takei .....	D12/594
9,168,791	B2 *	10/2015	Neubauer .....	B60C 11/0311
D748,043	S *	1/2016	Helin .....	D12/579
D763,178	S *	8/2016	Dixon .....	D12/581
D770,368	S *	11/2016	Nakahara .....	D12/594

\* cited by examiner

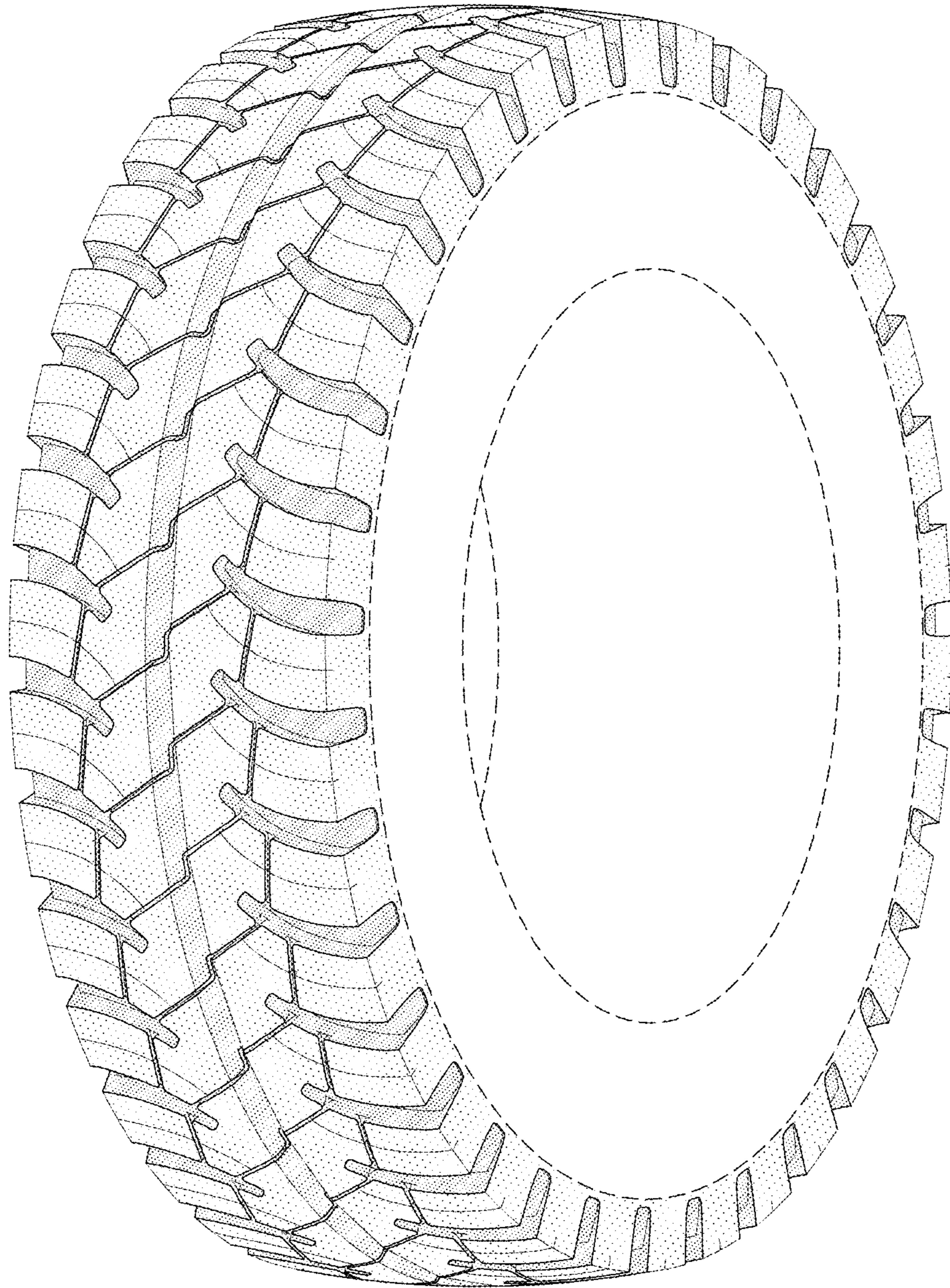


FIG-1

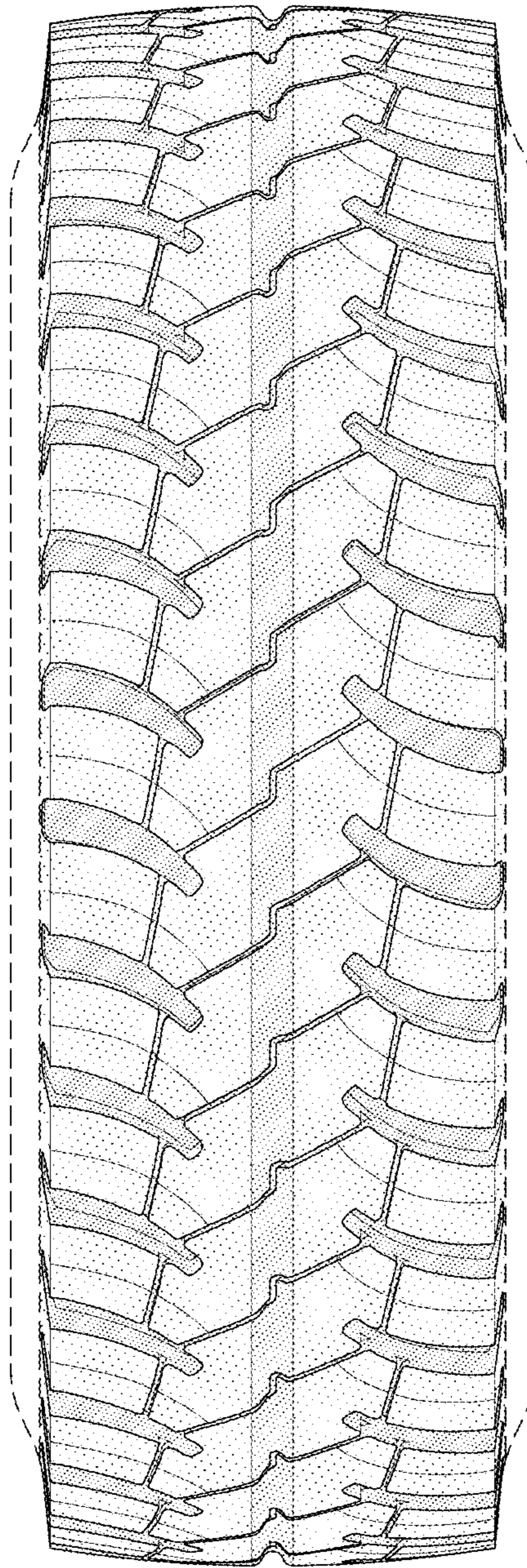


FIG-2

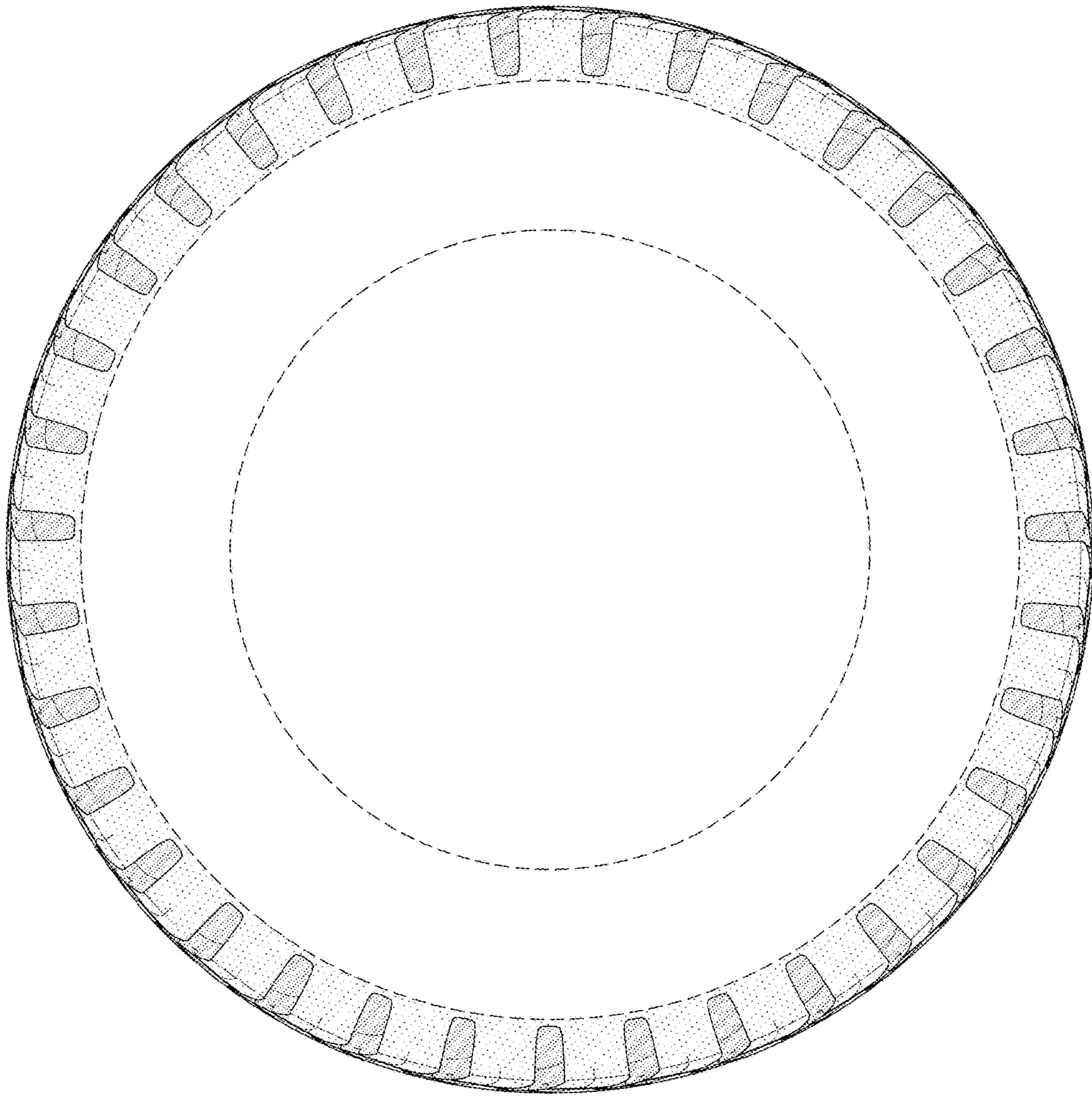


FIG-3

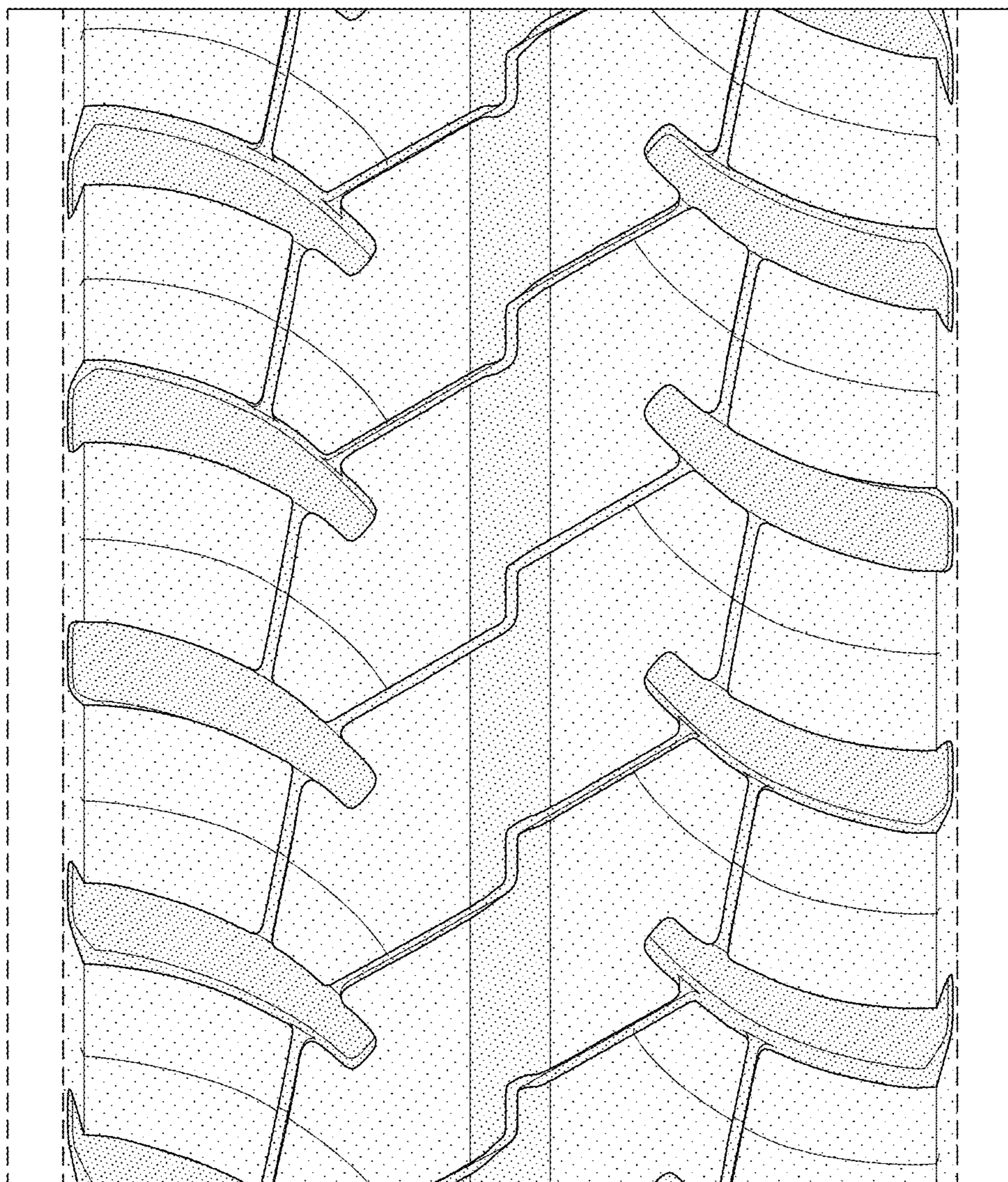


FIG-4



FIG-5

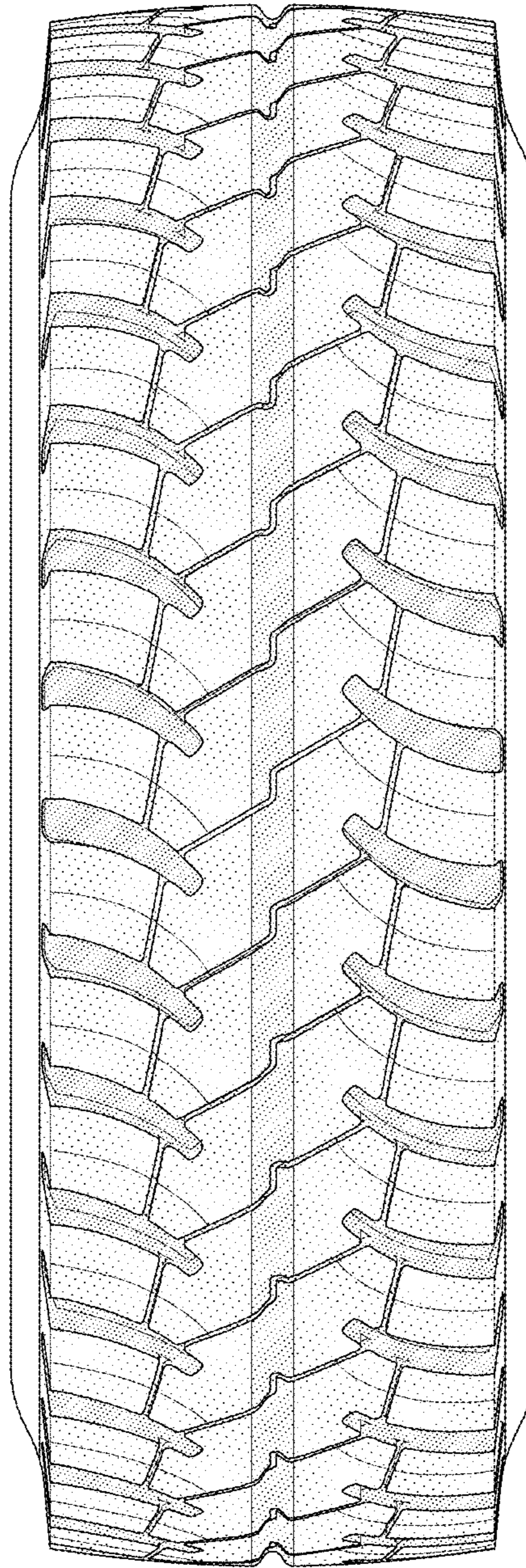


FIG-6