



US00D794546S

(12) **United States Design Patent** (10) **Patent No.:** **US D794,546 S**
Caron et al. (45) **Date of Patent:** **** *Aug. 15, 2017**

- (54) **TIRE**
- (71) Applicant: **The Goodyear Tire & Rubber Company, Akron, OH (US)**
- (72) Inventors: **Arnaud Caron, Signeulx (BE); Pierre Bernard Raoul Brochet, Itzig (LU)**
- (73) Assignee: **The Goodyear Tire & Rubber Company, Akron, OH (US)**
- (*) Notice: This patent is subject to a terminal disclaimer.
- (**) Term: **15 Years**
- (21) Appl. No.: **29/542,263**
- (22) Filed: **Oct. 13, 2015**
- (51) **LOC (10) Cl.** **12-15**
- (52) **U.S. Cl.**
USPC **D12/564**
- (58) **Field of Classification Search**
USPC D12/533-567
CPC B60C 1/0016; B60C 11/0306; B60C 11/0302; B60C 3/06; B60C 9/17
See application file for complete search history.

- D452,198 S 12/2001 Heinen et al. D12/146
- D455,116 S 4/2002 Graas et al. D12/553
- D455,998 S 4/2002 Heinen et al. D12/566

(Continued)

Primary Examiner — Robert M Spear
Assistant Examiner — John Voytek
(74) *Attorney, Agent, or Firm* — Robert N. Lipsik

(57) **CLAIM**

The ornamental design for a tire, as shown and described.

DESCRIPTION

FIG. 1 is a perspective view of a tire showing our new design, it being understood that the pattern repeats uniformly throughout the circumference of the tread;
 FIG. 2 is a front elevational view thereof;
 FIG. 3 is a right side elevational view thereof; the other side being a mirror image thereof;
 FIG. 4 is an enlarged fragmentary front elevational view thereof;
 FIG. 5 is a perspective view of a second embodiment of a tire showing our new design, it being understood that the pattern repeats uniformly throughout the circumference of the tread and that the opposite side view is identical thereto; and,
 FIG. 6 is a front elevational view of a second embodiment, it being understood that an enlarged fragmentary view thereof would be substantially identical to that shown in FIG. 4, with the exception of the inclusion of the sidewall in the claim.

In the drawings, the broken lines showing of the sidewall, inner bead and the peripheral boundary between the tire tread and the sidewall in FIGS. 1 through 4 depict environmental subject matter and form no part of the claimed design.

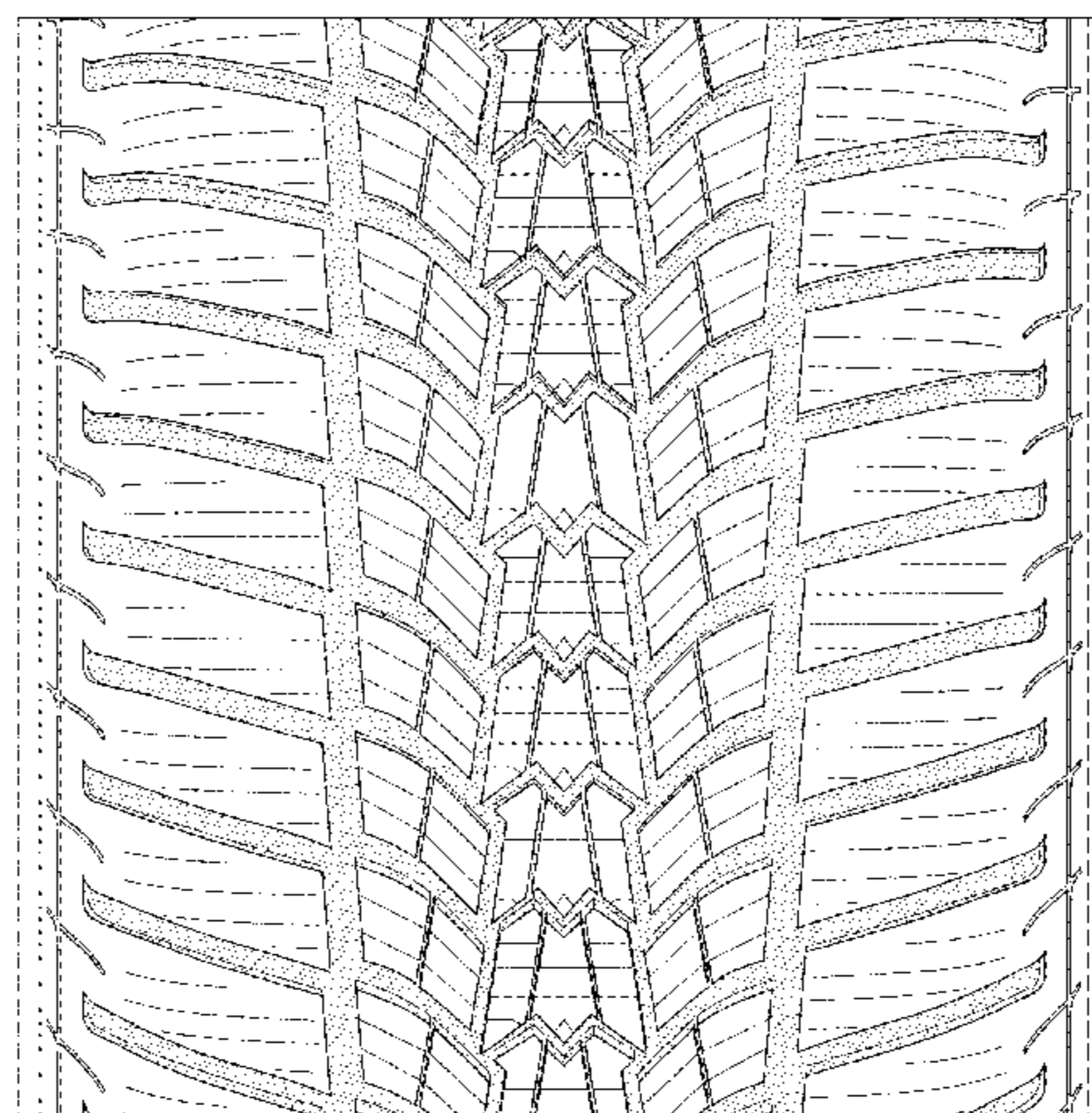
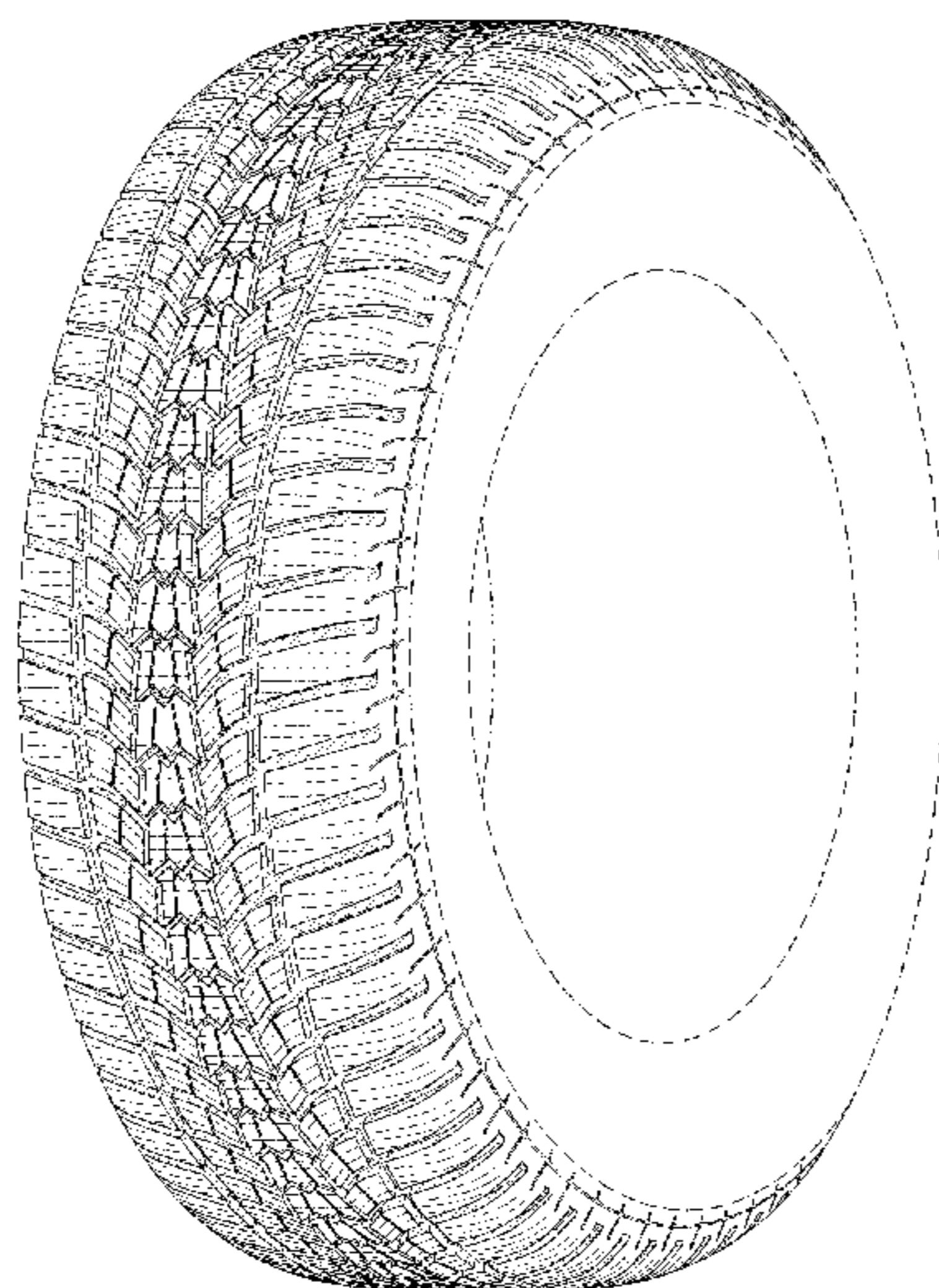
The dark stippled surface shading represents the recessed portion of the tread grooves having a depth as best shown in FIG. 2.

(56) **References Cited**

U.S. PATENT DOCUMENTS

- D362,420 S 9/1995 Heinen et al. D12/147
- D379,448 S 5/1997 Graas et al. D12/147
- D379,449 S 5/1997 Graas et al. D12/151
- D379,787 S 6/1997 Maxwell et al. D12/147
- D387,714 S 12/1997 Heinen D12/147
- D423,426 S * 4/2000 Ratliff, Jr. D12/546
- D429,194 S 8/2000 Heinen et al. D12/147
- D429,478 S 8/2000 Heinen et al. D12/147
- D431,800 S 10/2000 Heinen et al. D12/147
- D441,328 S 5/2001 Heinen et al. D12/146
- D441,695 S 5/2001 Heinen et al. D12/147
- D451,068 S 11/2001 Heinen et al. D12/547
- D451,868 S 12/2001 Graas et al. D12/147

1 Claim, 6 Drawing Sheets



(56)

References Cited

U.S. PATENT DOCUMENTS

D462,647 S *	9/2002	Heinen	D12/550	D595,639 S	7/2009	de Briey-Terlinden	D12/553
D491,129 S *	6/2004	Maxwell	D12/553	D595,640 S	7/2009	de Briey-Terlinden	D12/564
D503,374 S *	3/2005	Maxwell	D12/553	D596,109 S	7/2009	de Briey-Terlinden	D12/553
D504,106 S	4/2005	de Briey-Terlinden et al.	D12/553	D597,475 S	8/2009	Heinen et al.	D12/553
D504,387 S	4/2005	Welbes et al.	D12/549	D597,476 S	8/2009	de Briey-Terlinden	D12/553
D504,866 S	5/2005	Collette et al.	D12/553	D598,367 S	8/2009	de Briey-Terlinden	D12/553
D505,112 S	5/2005	Heinen et al.	D12/567	D599,730 S *	9/2009	Mukai	D12/551
D513,729 S *	1/2006	Lash	D12/565	D600,195 S	9/2009	Fontaine et al.	D12/564
D533,131 S	12/2006	Fontaine et al.	D12/588	D601,946 S	10/2009	Fontaine et al.	D12/553
D548,677 S	8/2007	Welbes et al.	D12/553	D606,007 S	12/2009	Fontaine et al.	D12/564
D548,678 S	8/2007	Welbes et al.	D12/553	D610,964 S	3/2010	Dixon et al.	D12/552
D556,670 S	12/2007	Fontaine et al.	D12/553	D610,973 S	3/2010	Dixon et al.	D12/600
D575,726 S	8/2008	Fontaine et al.	D12/564	D614,116 S *	4/2010	Scheifele	D12/559
D579,861 S	11/2008	Haas et al.	D12/553	D622,657 S	8/2010	Leocadio et al.	D12/553
D579,864 S	11/2008	Haas et al.	D12/566	D627,292 S *	11/2010	Terashima	D12/559
D586,728 S	2/2009	Heinen et al.	D12/547	D635,912 S	4/2011	Knispel	D12/564
D589,874 S	4/2009	Fontaine et al.	D12/564	D638,350 S	5/2011	Knispel	D12/564
D591,221 S	4/2009	Fontaine et al.	D12/563	D640,184 S	6/2011	de Briey-Terlinden	D12/553
D591,672 S	5/2009	de Briey-Terlinden et al.	D12/553	D640,966 S	7/2011	Fontaine et al.	D12/563
D592,588 S	5/2009	Heinen et al.	D12/564	D641,305 S	7/2011	de Briey-Terlinden	D12/547
				D645,393 S *	9/2011	Kiwaki	D12/549
				D662,454 S	6/2012	Fontaine et al.	D12/553
				D721,638 S *	1/2015	Knispel	D12/564
				D722,554 S	2/2015	Knispel et al.	D12/564
				D749,495 S *	2/2016	Wang	D12/552

* cited by examiner

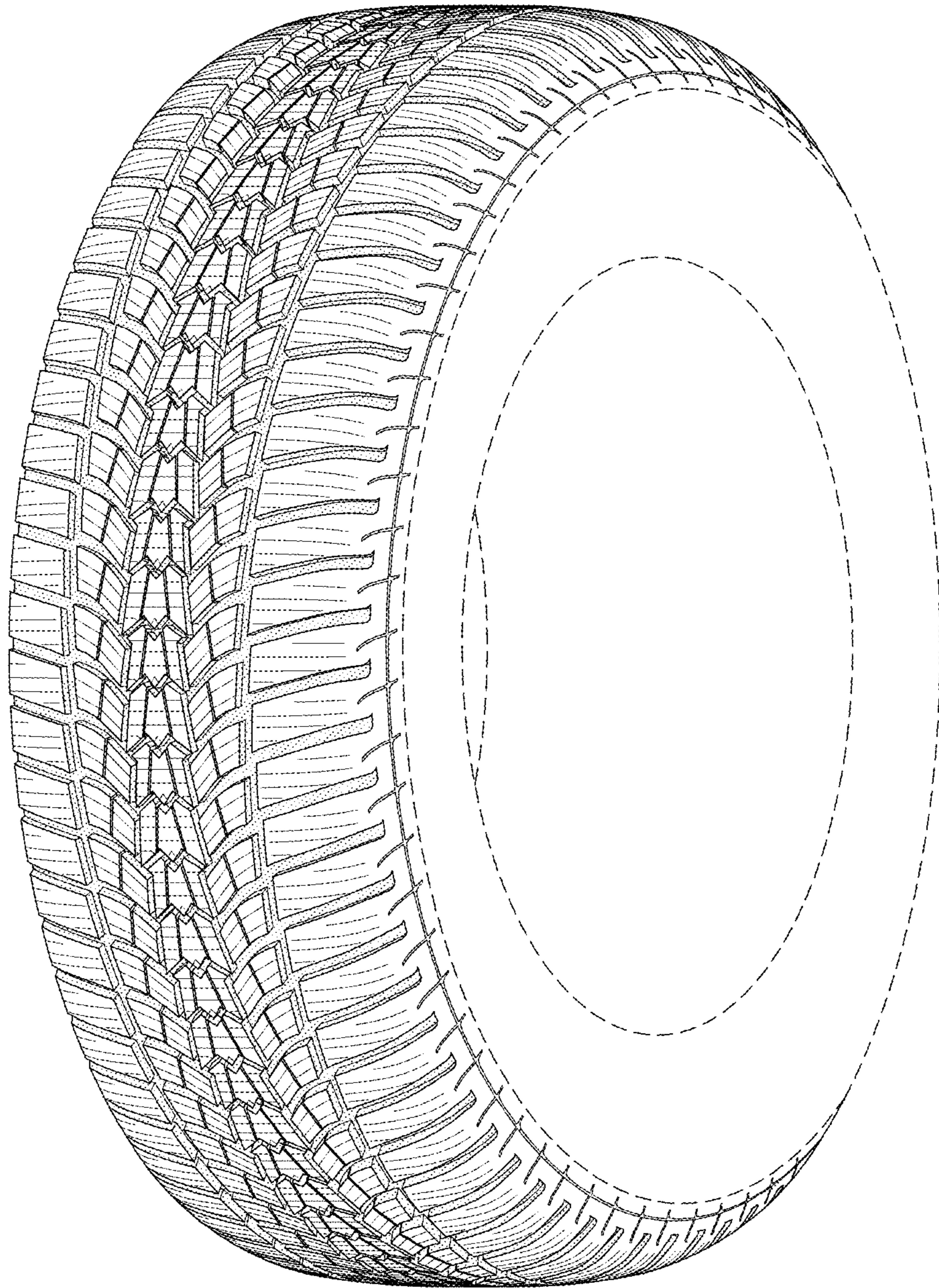


FIG-1

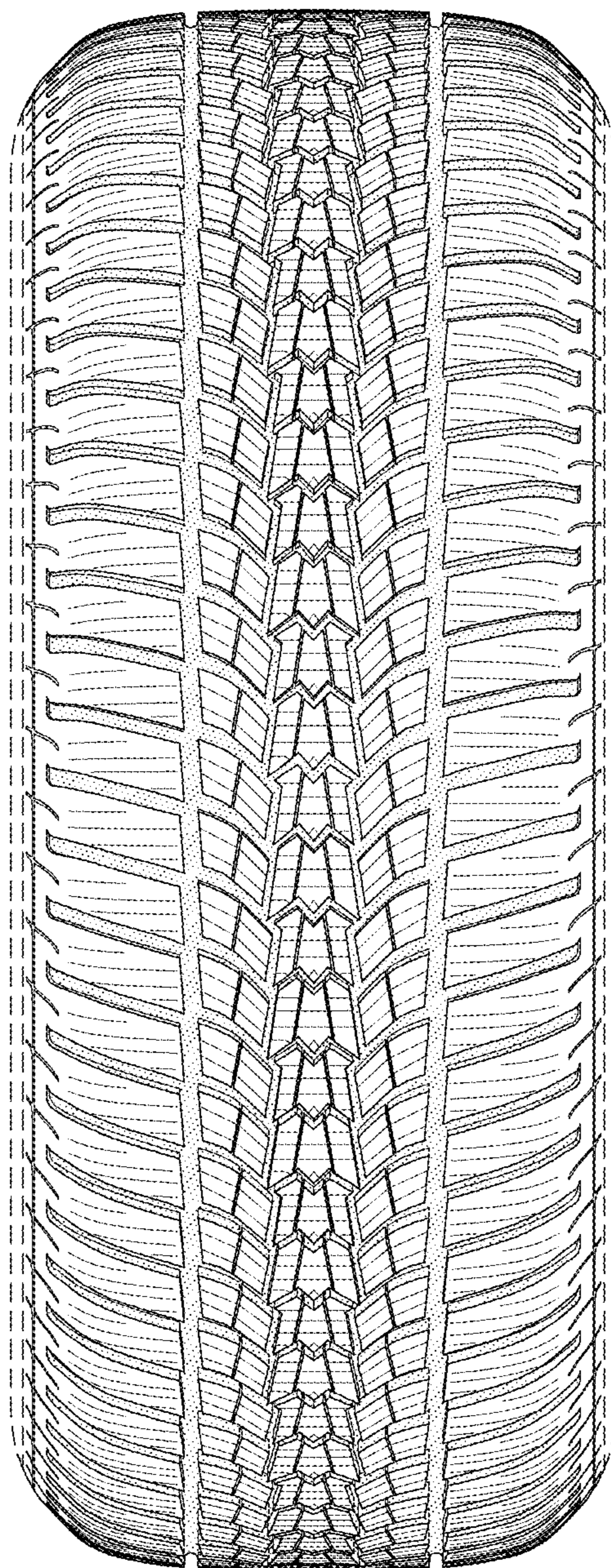


FIG-2

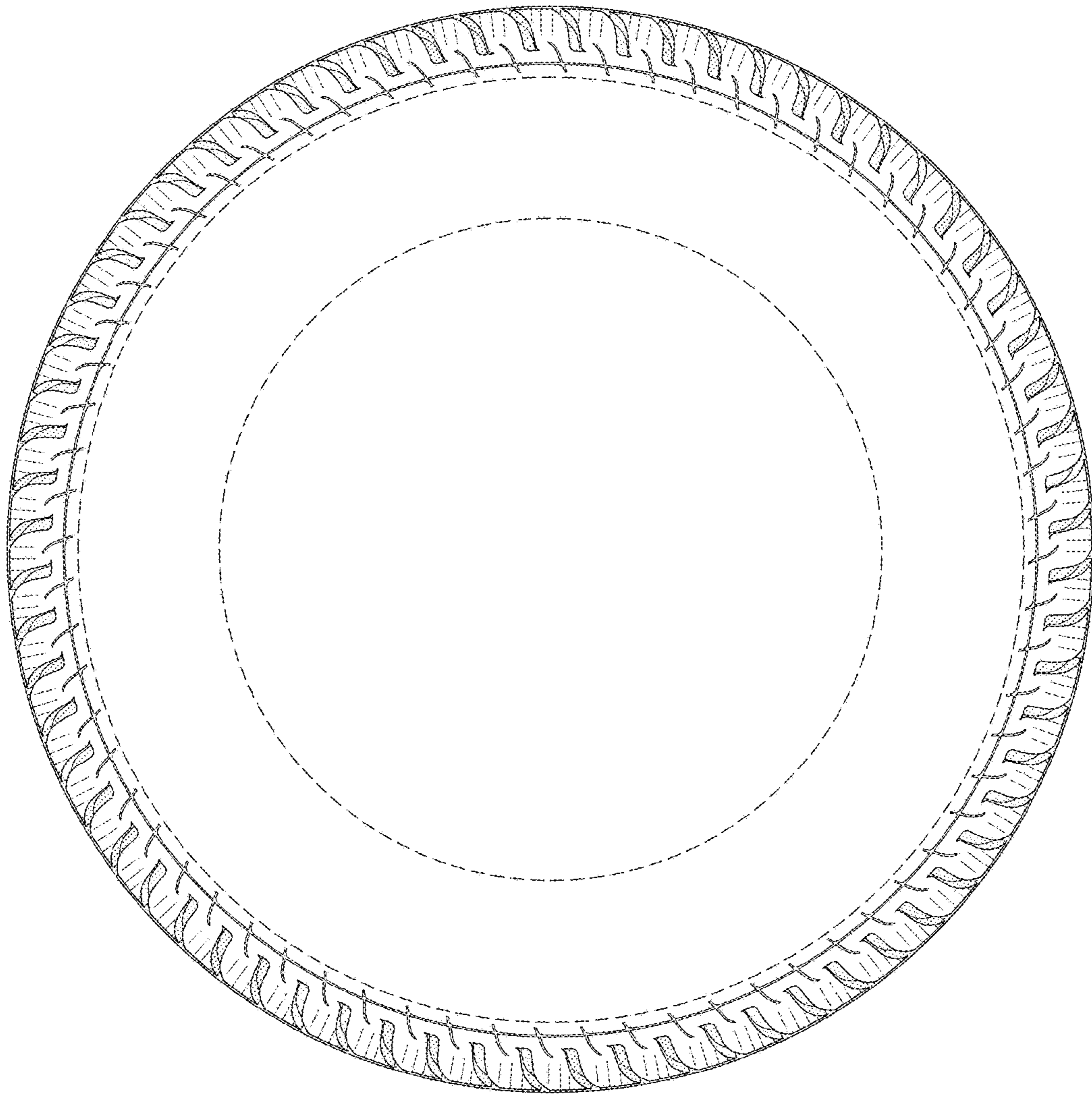


FIG-3

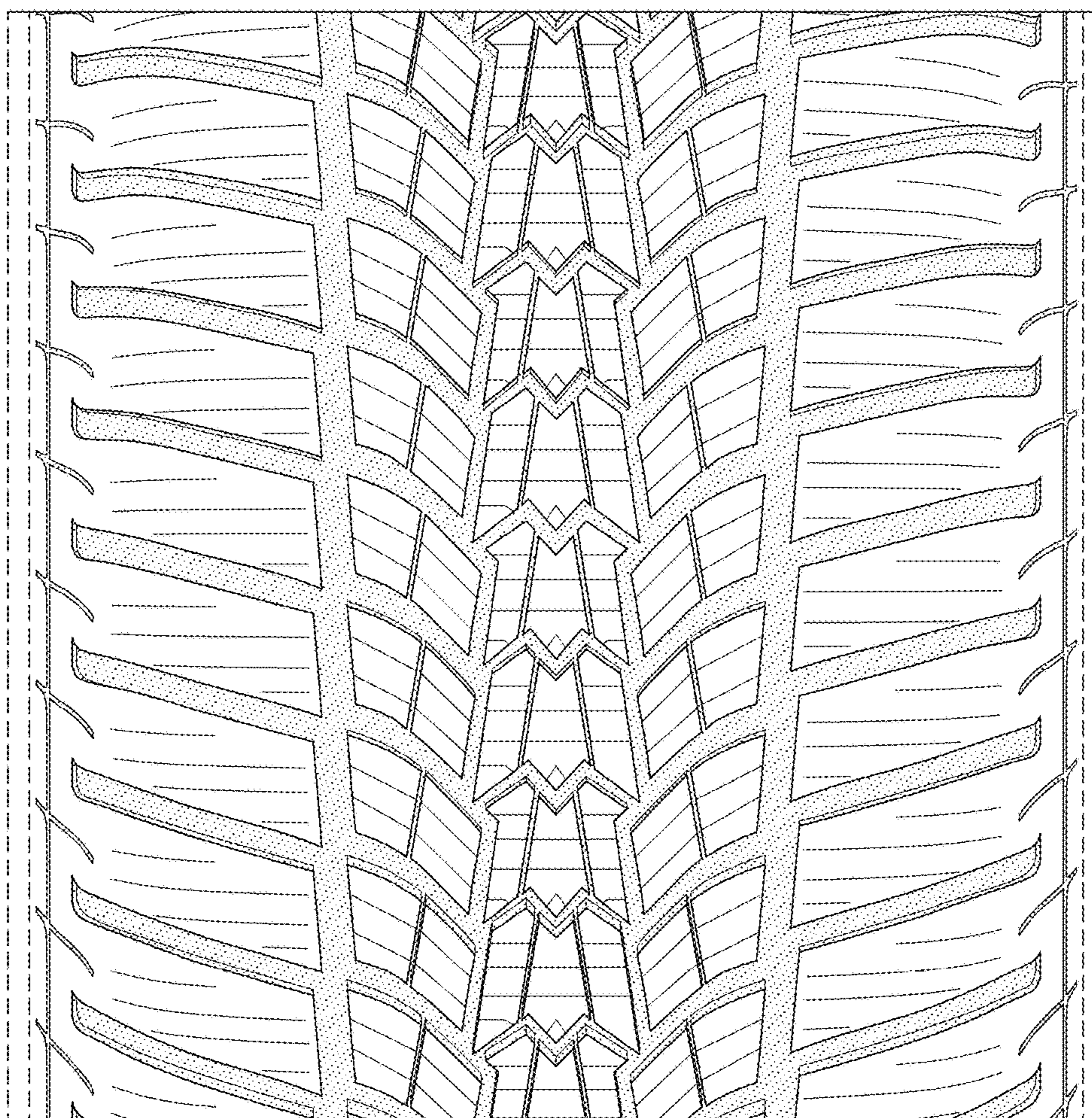


FIG-4

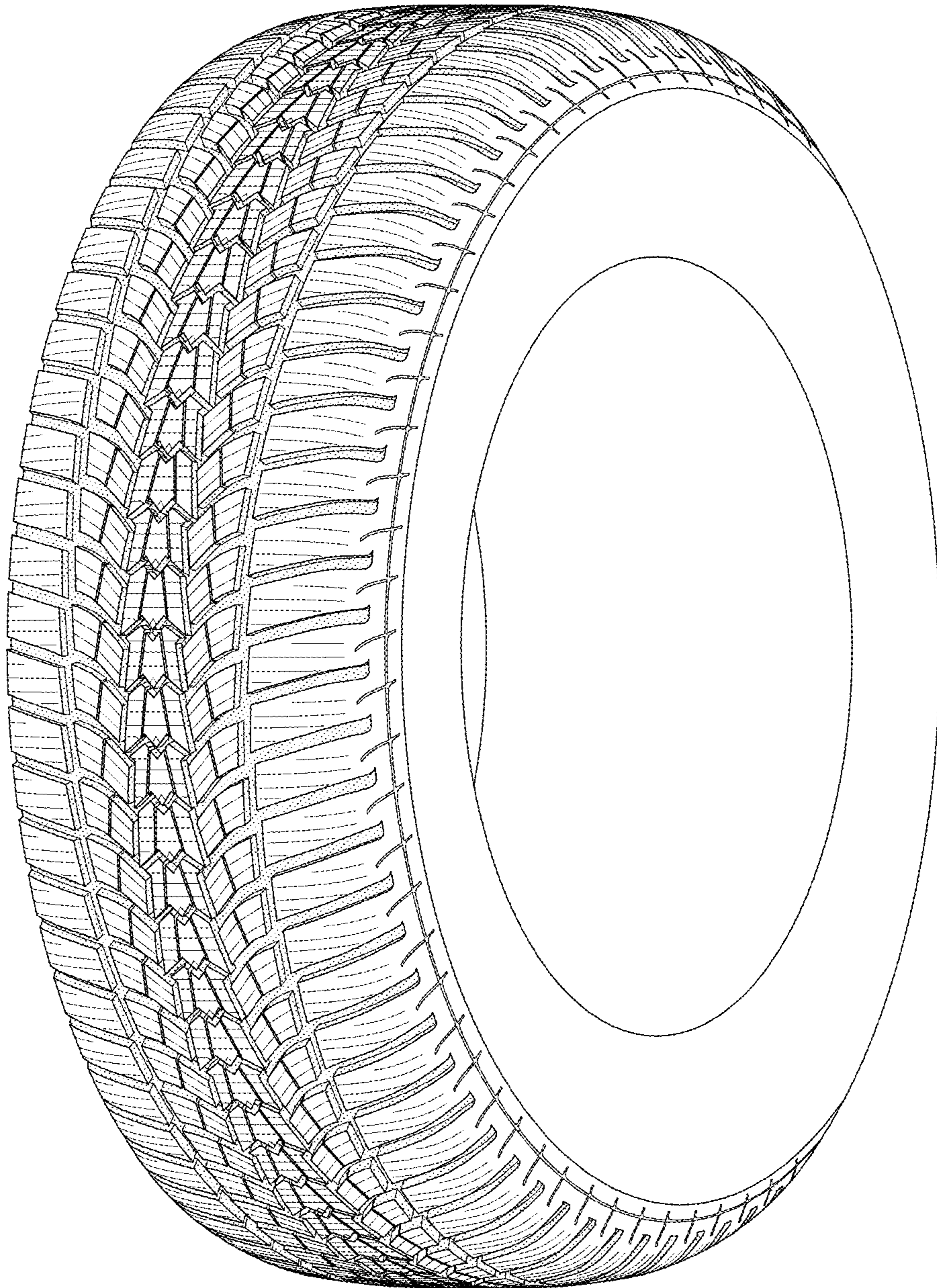


FIG-5

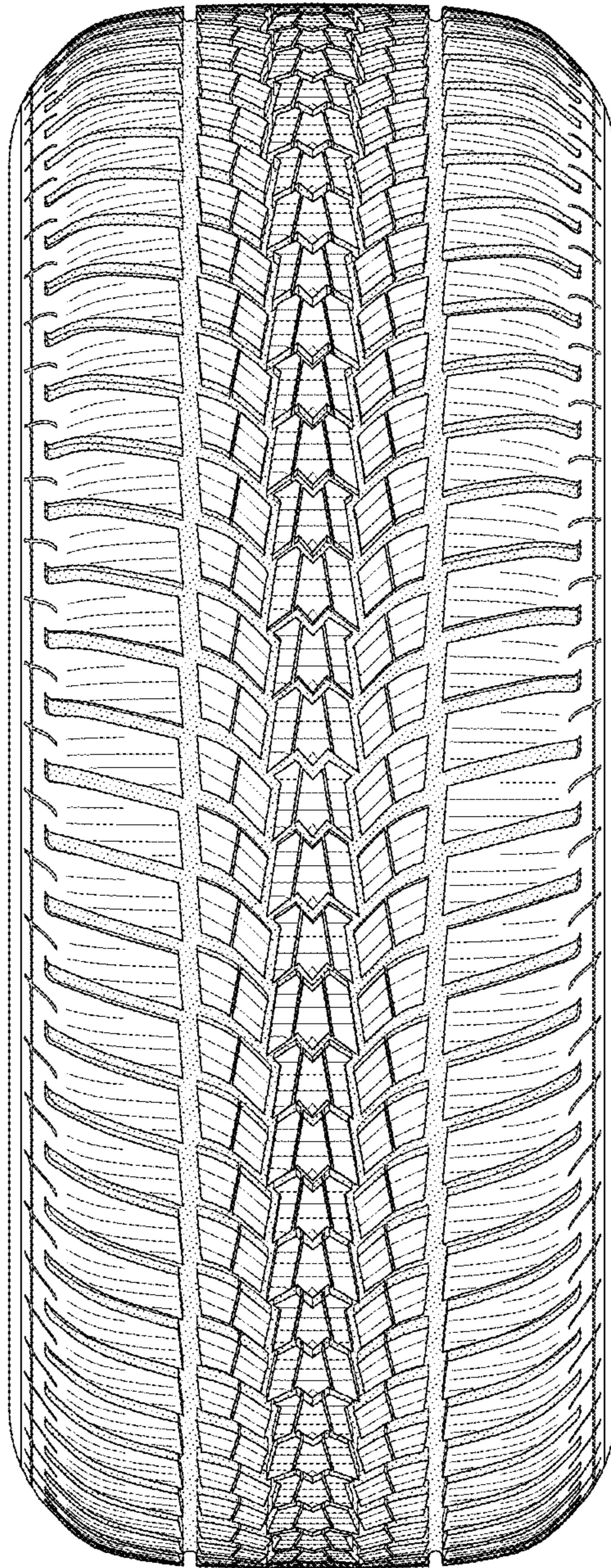


FIG-6