



US00D794542S

(12) **United States Design Patent**
Tahon et al.

(10) **Patent No.:** **US D794,542 S**
(45) **Date of Patent:** **** Aug. 15, 2017**

(54) **TIRE**

(71) Applicant: **The Goodyear Tire & Rubber Company, Akron, OH (US)**

(72) Inventors: **Thomas Pierre Lucas Marie Tahon, Heiderscheid (LU); Sylvain Fourme, Holzem (LU); Stephane Jose Geelen, Redange sur Atert (LU); Pavel Kroupa, Gilsdorf (LU); Javier Galdon Romero, Luxembourg (LU); Stephane Laurent Claude Bokken, Vielsalm (BE)**

(73) Assignee: **The Goodyear Tire & Rubber Company, Akron, OH (US)**

(**) Term: **15 Years**

(21) Appl. No.: **29/538,409**

(22) Filed: **Sep. 3, 2015**

(51) **LOC (10) Cl.** **12-15**

(52) **U.S. Cl.**
USPC **D12/528**

(58) **Field of Classification Search**
USPC D12/500-532, 584, 593, 594, 595, 601, D12/604
CPC B60C 11/0311; B60C 11/0309; B60C 11/0304; B60C 11/03; B60C 11/0327; B60C 11/0316; B60C 11/042; B60C 11/04; B60C 11/1323; B60C 2011/0344; B60C 2011/0341; B60C 2011/0339; B60C 2011/0388; B60C 2011/0386; B60C 2011/0358; B60C 2011/0351; B60C 2011/0348; B60C 2011/1231; B60C 2011/1209

See application file for complete search history.

(56) **References Cited**

U.S. PATENT DOCUMENTS

D381,606 S 7/1997 Graas et al. D12/147
D391,209 S 2/1998 Villamizar et al. D12/147

D392,230 S * 3/1998 Heinen D12/601
D418,785 S 1/2000 Lovell et al. D12/147
D457,129 S 5/2002 Graas et al. D12/603
D515,018 S * 2/2006 Umstot D12/517
D525,186 S 7/2006 Martin D12/521
D554,053 S 10/2007 Feider et al. D12/588

(Continued)

OTHER PUBLICATIONS

Pryde, Porter, Tread Patterns, posted at Tire Rack, posting date Jul. 7, 2010. [online], [site visited Dec. 12, 2016]. Available from Internet, <URL: <http://blog.tirerack.com/blog/tire-talk/tread-patterns>>.*

(Continued)

Primary Examiner — Kevin Rudzinski
Assistant Examiner — Kathleen Jones

(74) *Attorney, Agent, or Firm* — Robert N. Lipsik

(57) **CLAIM**

The ornamental design for a tire, as shown and described.

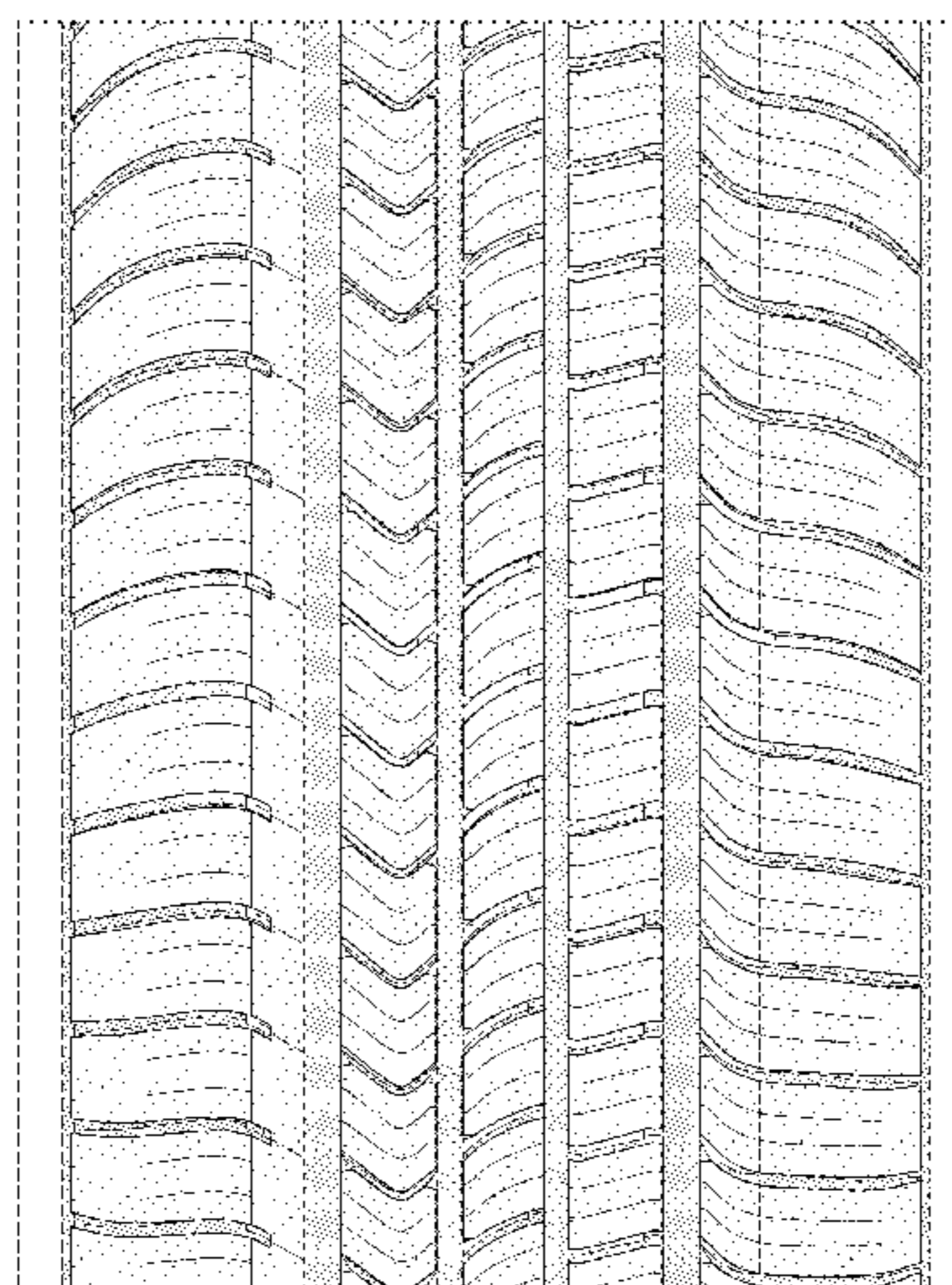
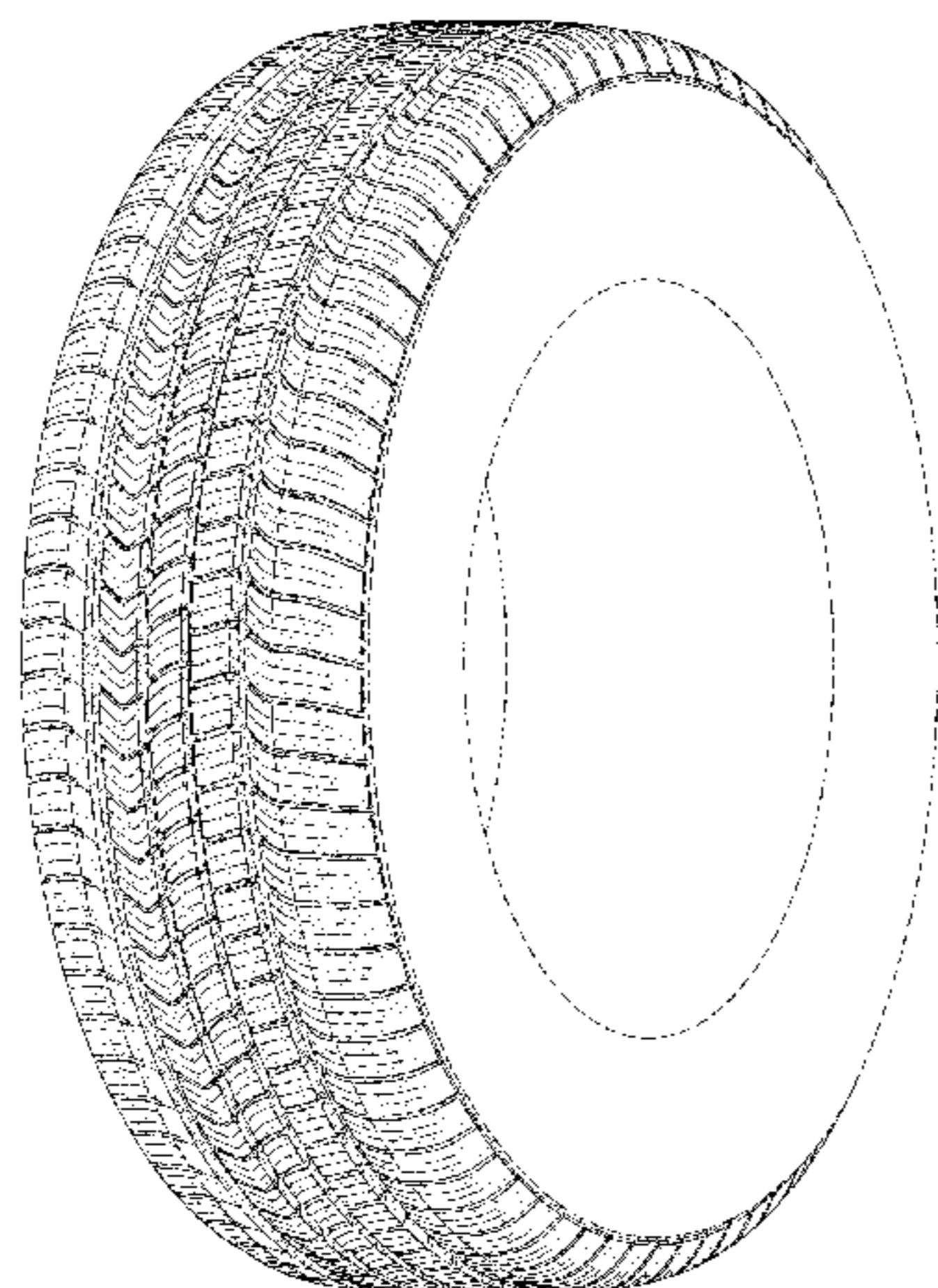
DESCRIPTION

FIG. 1 is a perspective view of a tire showing our new design, it being understood that the pattern repeats uniformly throughout the circumference of the tread; FIG. 2 is a front elevational view thereof; FIG. 3 is a right side elevational view thereof; FIG. 4 is a left side elevational view thereof; and, FIG. 5 is an enlarged fragmentary front elevational view thereof.

In the drawings, the broken lines showing the sidewall and inner bead depict environmental subject matter and form no part of the claimed design.

The dark stippled surface shading represents the recessed portion of the tread grooves having a depth as best shown in FIG. 2.

1 Claim, 5 Drawing Sheets



(56)

References Cited

U.S. PATENT DOCUMENTS

D560,595 S * 1/2008 Bindner D12/521
 D583,753 S 12/2008 Licht et al. D12/565
 D593,931 S 6/2009 Fontaine et al. D12/521
 D597,474 S 8/2009 Yamakawa et al. D12/519
 D606,002 S 12/2009 Yamakawa et al. D12/519
 D606,926 S * 12/2009 Heinen D12/521
 D615,480 S * 5/2010 Jacobs D12/586
 D619,958 S * 7/2010 Maxwell D12/586
 D644,592 S 9/2011 Grabo et al. D12/519
 D668,598 S 10/2012 Hughes et al. D12/521
 D673,894 S 1/2013 Hughes et al. D12/521
 D695,676 S 12/2013 Buresh et al. D12/523
 D710,787 S 8/2014 Dixon et al. D12/521
 D713,325 S 9/2014 Maxwell et al. D12/521
 D724,005 S 3/2015 Hughes et al. D12/515
 D728,452 S * 5/2015 Sano D12/521
 D733,036 S * 6/2015 Kuwano D12/521
 D734,707 S * 7/2015 Bogenschuetz D12/517
 D735,122 S * 7/2015 Grote D12/601

D735,637 S * 8/2015 Hughes D12/521
 D737,752 S * 9/2015 Shondel D12/521
 D737,754 S * 9/2015 Bourel D12/594
 D743,872 S * 11/2015 Huang D12/519
 D756,892 S * 5/2016 Kim D12/521
 D761,717 S * 7/2016 Fu D12/521
 D773,976 S * 12/2016 Dixon D12/515
 D780,091 S * 2/2017 Colletti D12/521
 D782,964 S * 4/2017 Fursthos D12/584
 2012/0298269 A1 * 11/2012 Mathonet B60C 11/0306
 152/209.16

OTHER PUBLICATIONS

Goodyear Eagle Sport All-Season, posted at TireBuyer, review posting date 2013. [online], [site visited Dec. 16, 2016]. Available from Internet, <URL: <http://www.tirebuyer.com/tires/goodyear/eagle-sport-all-season/p/style/63306#reviews>>.*
 IN-240810-0001, posted at Orbit, publication date Aug. 17, 2012. [online], [site visited Nov. 19, 2016]. Available from Internet.*

* cited by examiner

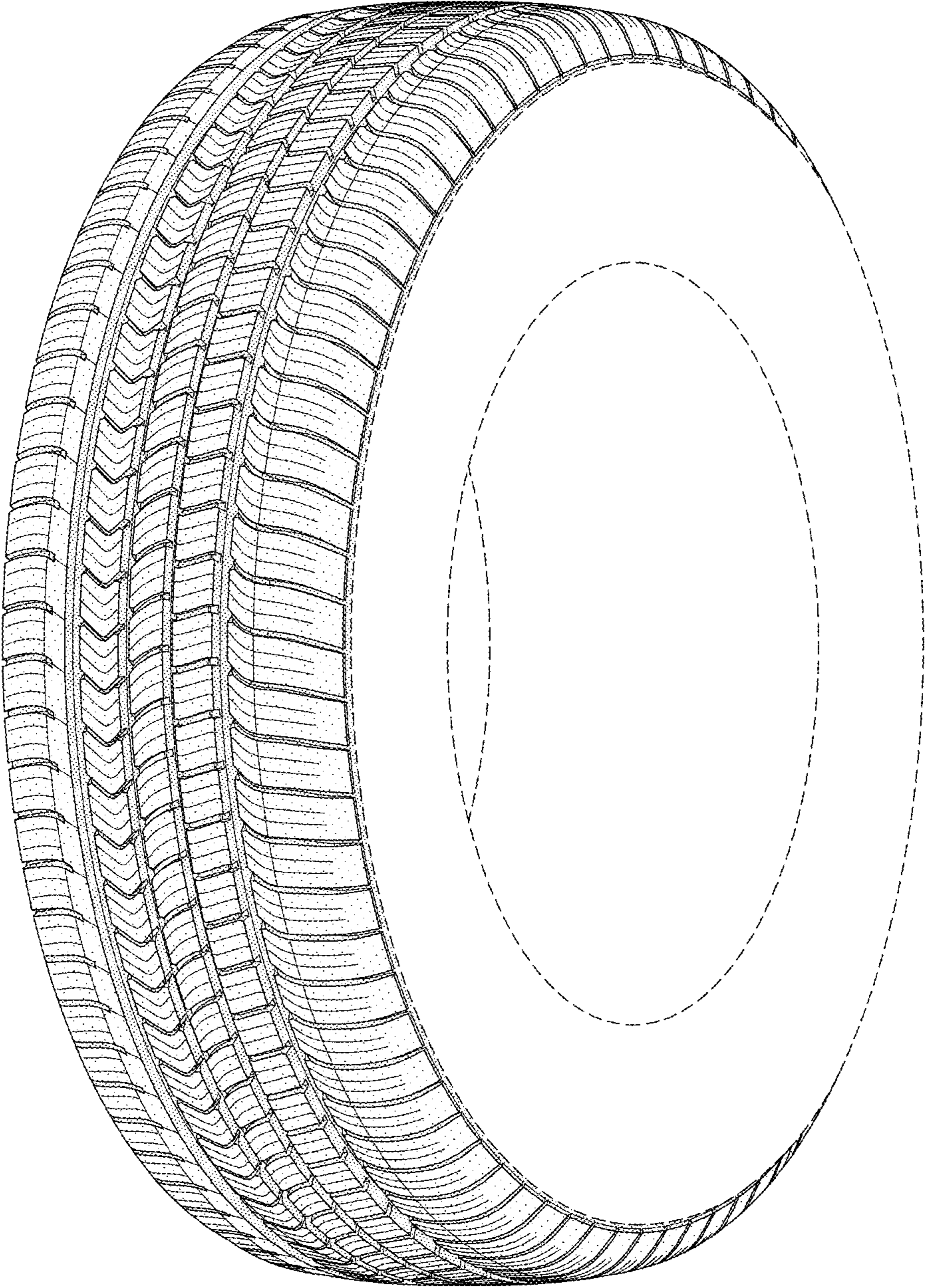


FIG-1

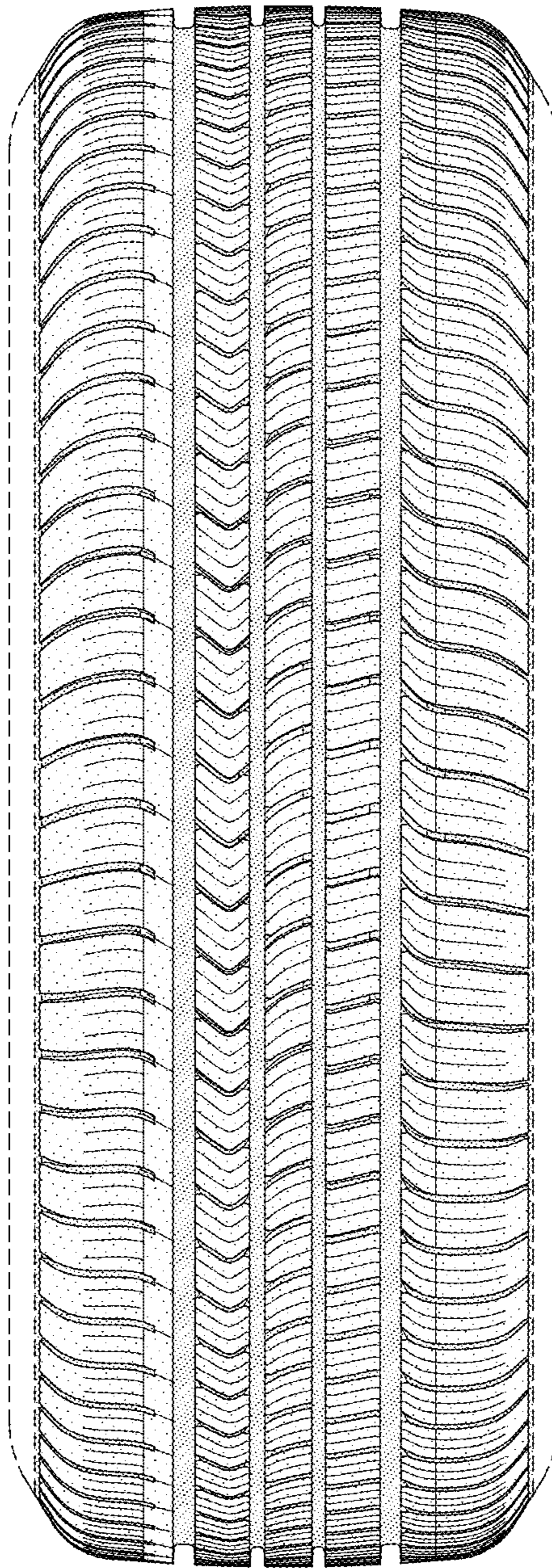


FIG-2

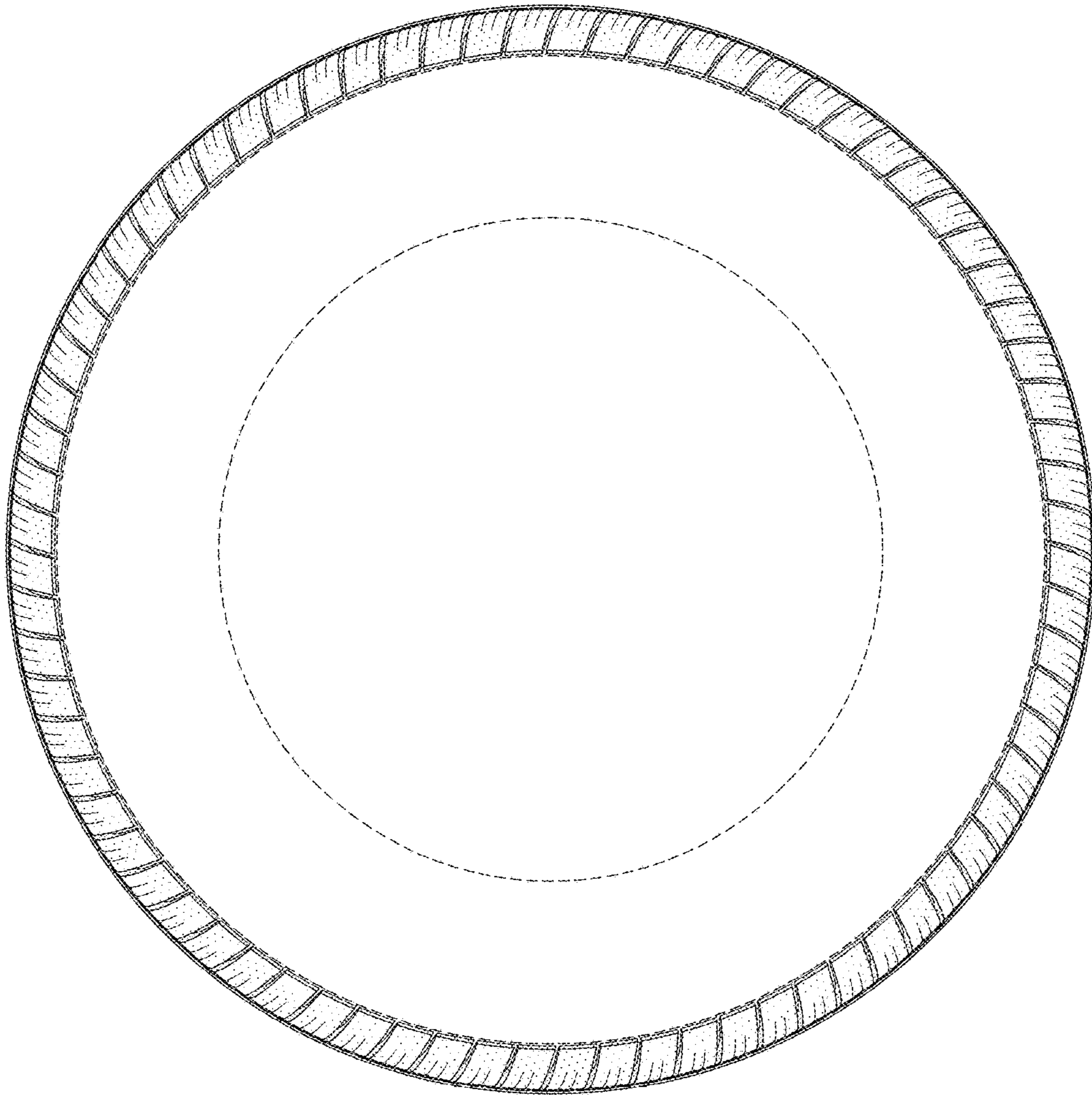


FIG-3

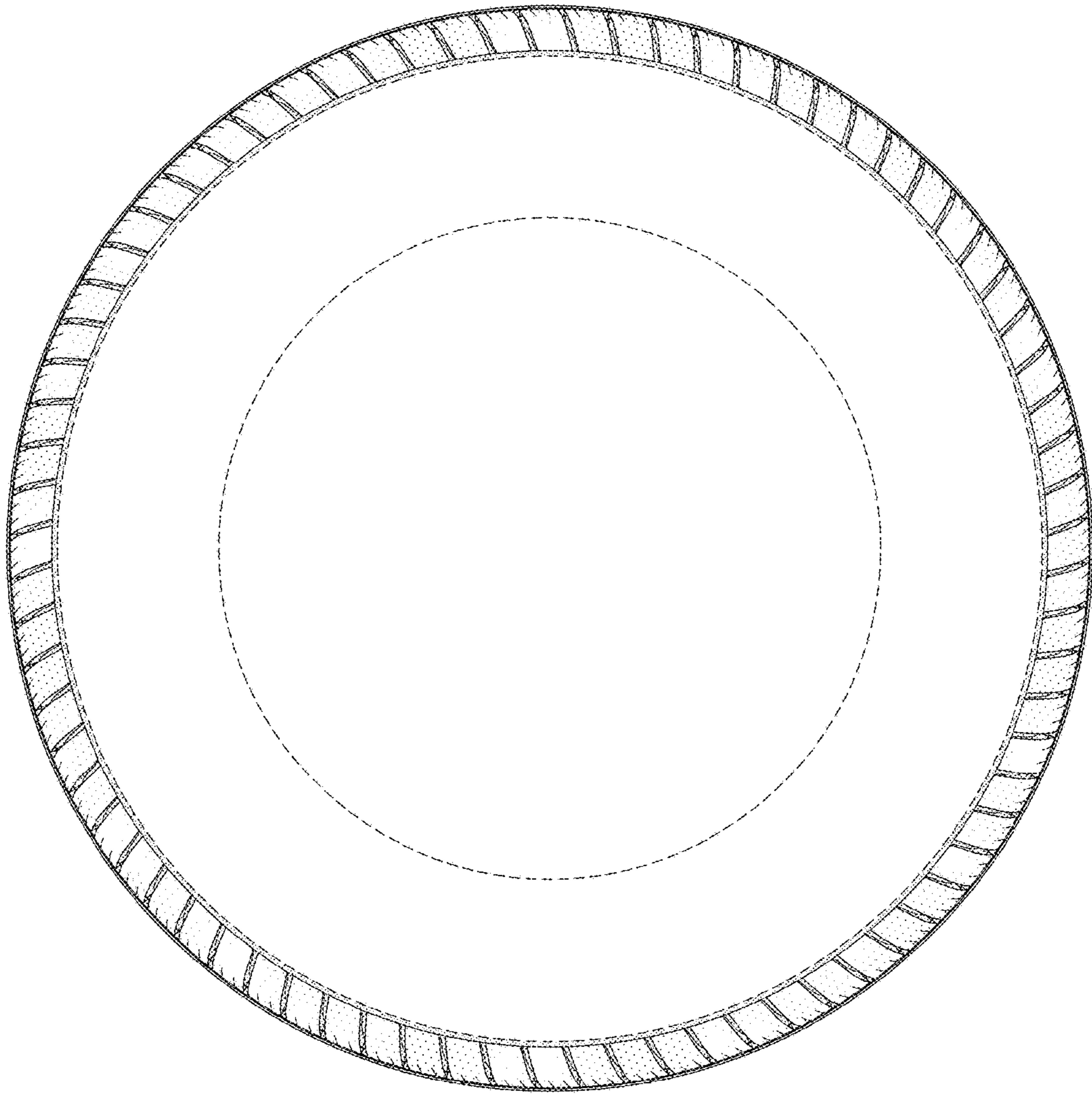


FIG-4

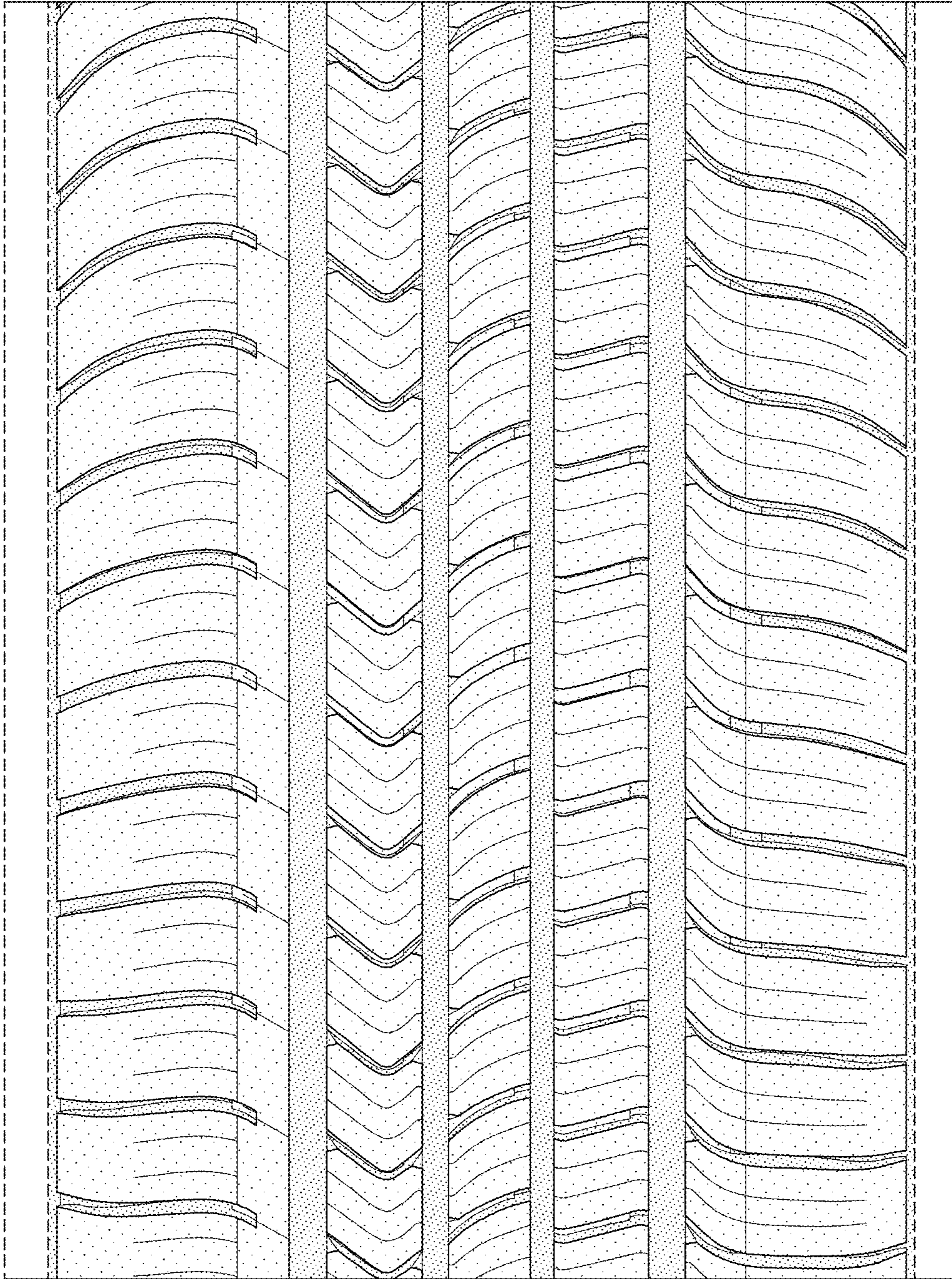


FIG-5