

US00D794537S

(12) **United States Design Patent**
Wagnon

(10) **Patent No.:** **US D794,537 S**

(45) **Date of Patent:** **** Aug. 15, 2017**

(54) **COMBINED MODULAR BOAT CONSOLE AND SEAT**

(74) *Attorney, Agent, or Firm* — Mitchell Law PLLC;
Matthew W. Mitchell

(71) Applicant: **Brian K. Wagnon**, El Cajon, CA (US)

(57) **CLAIM**

(72) Inventor: **Brian K. Wagnon**, El Cajon, CA (US)

The ornamental design for a combined modular boat console and seat, as shown and described.

(**) Term: **15 Years**

DESCRIPTION

(21) Appl. No.: **29/548,831**

(22) Filed: **Dec. 16, 2015**

(51) **LOC (10) Cl.** **12-06**

(52) **U.S. Cl.**
USPC **D12/317**

(58) **Field of Classification Search**
USPC D12/300–318
CPC B63B 29/02; B63B 29/04; B63B 2029/43
See application file for complete search history.

FIG. 1 is a front perspective view of the combined modular boat console and seat of the present invention;
FIG. 2 is a back perspective view of the invention of FIG. 1;
FIG. 3 is a side view of the invention of FIG. 1, as seen from the left side of FIG. 14;
FIG. 4 is a side view of the invention of FIG. 1, as seen from the right side of FIG. 14;
FIG. 5 is a second front perspective view of the invention of FIG. 1 in a boat;
FIG. 6 is a second back perspective view of the invention of FIG. 1 in a boat;
FIG. 7 is a third front perspective view of the invention of FIG. 1 in a boat;
FIG. 8 is a third back perspective view of the invention of FIG. 1 in a boat;
FIG. 9 is a fourth back perspective view of the invention of FIG. 1 in a boat illustrating a seat in a closed position;
FIG. 10 is a side view of the invention of FIG. 1 in a boat, as seen from the left side of FIG. 14;
FIG. 11 is a side view of the invention of FIG. 1 in a boat, as seen from the right side of FIG. 14;
FIG. 12 is a top plan view in elevation of the invention of FIG. 1 in a boat;
FIG. 13 is a back view of the invention of FIG. 1 in a boat; and,
FIG. 14 is a front view of the invention of FIG. 1 in a boat. The broken line showing a boat is included for contextual purposes and forms no part of the claimed design.

(56) **References Cited**

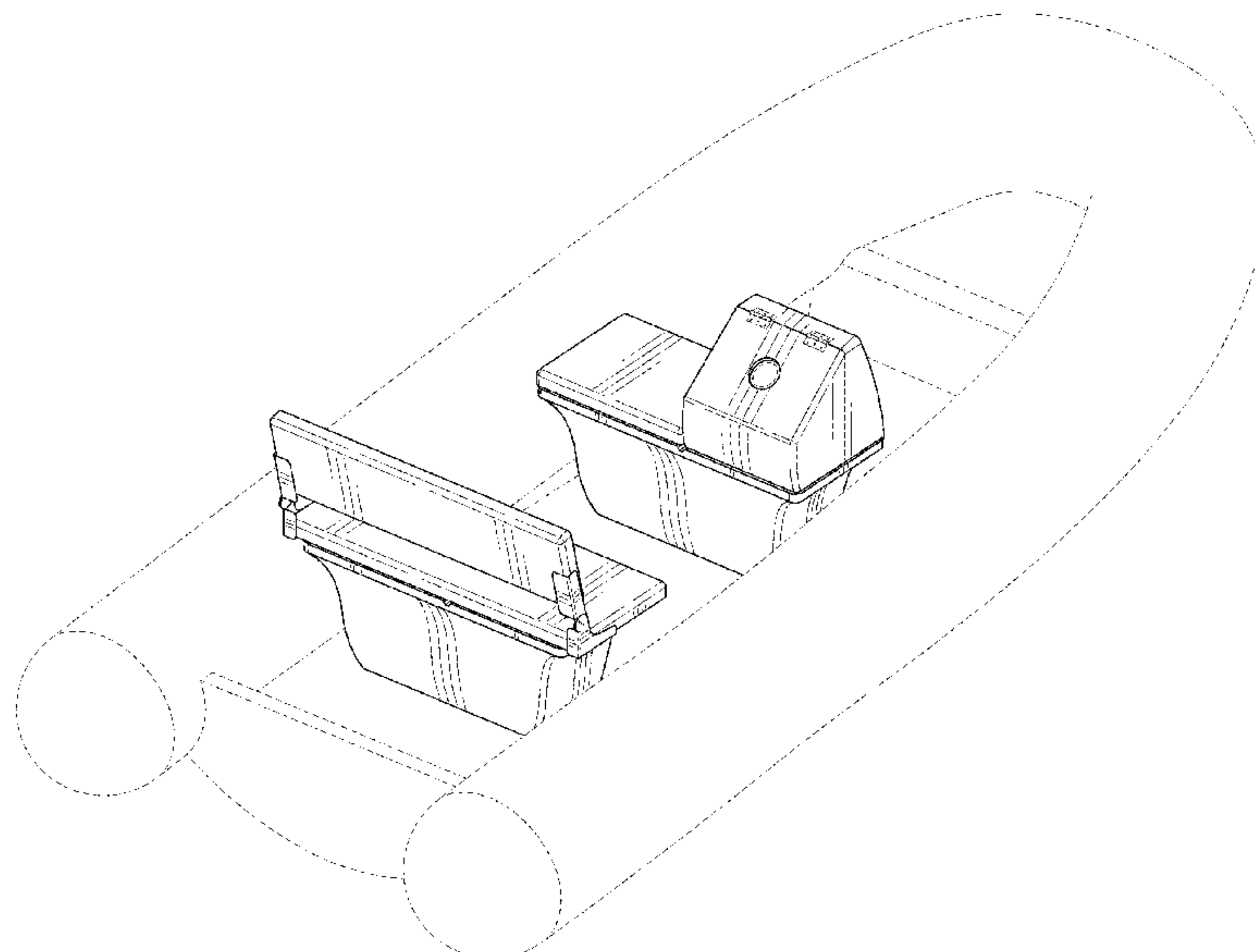
U.S. PATENT DOCUMENTS

D302,807 S *	8/1989	Allbritton	D12/192
5,127,355 A *	7/1992	Magers	B63B 25/002 114/255
5,143,013 A *	9/1992	Huebner	B63B 29/04 114/343
D334,167 S *	3/1993	Riley	D12/313
D359,023 S *	6/1995	Fetting	D12/317
5,799,605 A *	9/1998	Huse	B63B 29/04 114/363
7,000,557 B1 *	2/2006	Forbes	B63B 29/02 114/201 R
D559,760 S *	1/2008	Anderson	D12/300
D701,820 S *	4/2014	Pierce	D12/317
2003/0196582 A1 *	10/2003	Neese	B63B 29/04 114/363
2008/0196649 A1 *	8/2008	Kalil	B63B 29/04 114/201 R

(Continued)

Primary Examiner — Cynthia M Chin

1 Claim, 12 Drawing Sheets



(56)

References Cited

U.S. PATENT DOCUMENTS

2010/0031866 A1* 2/2010 Thompson B63B 29/04
114/363
2014/0216327 A1* 8/2014 Chen B63B 17/00
114/363

* cited by examiner

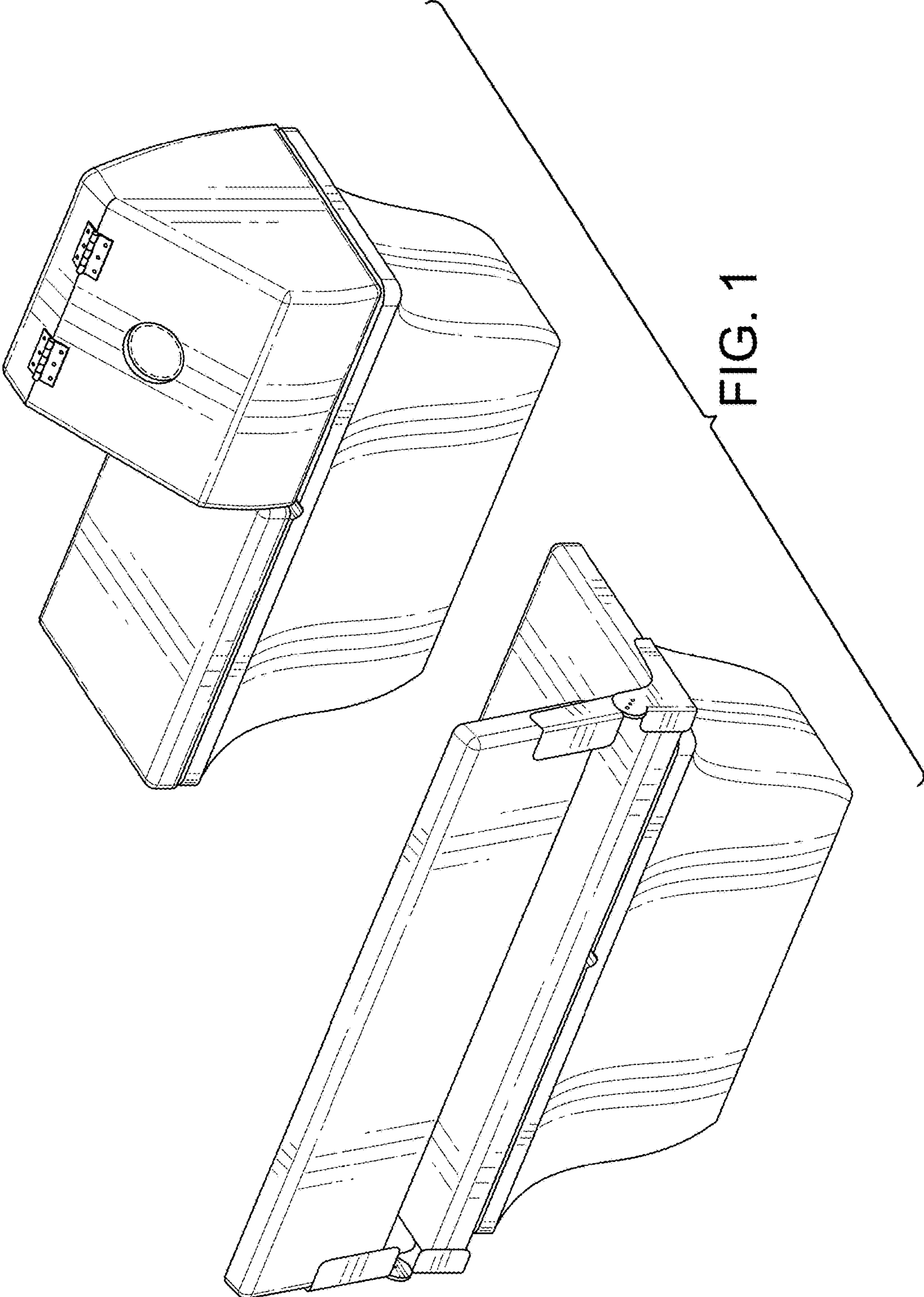
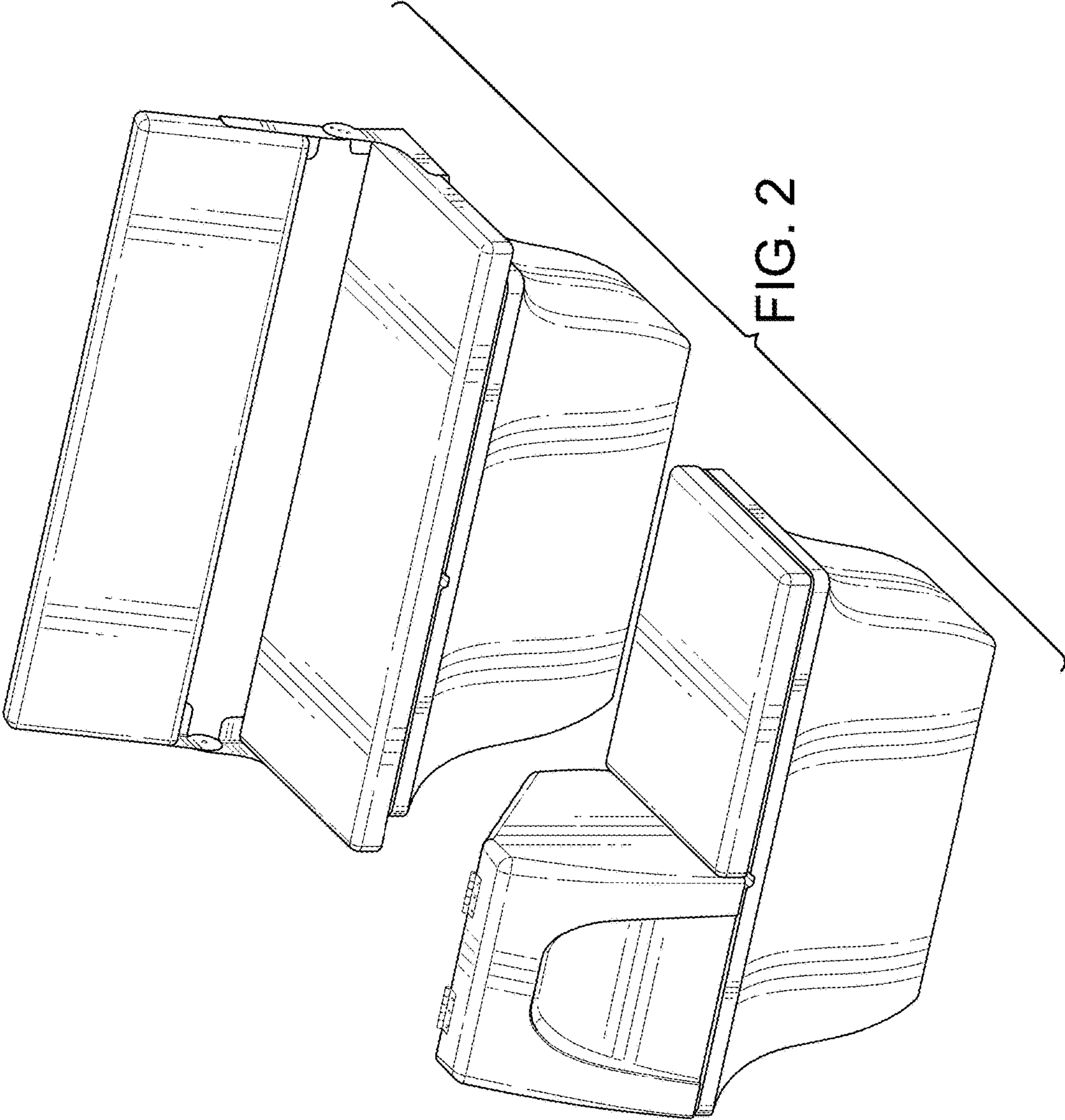


FIG. 1



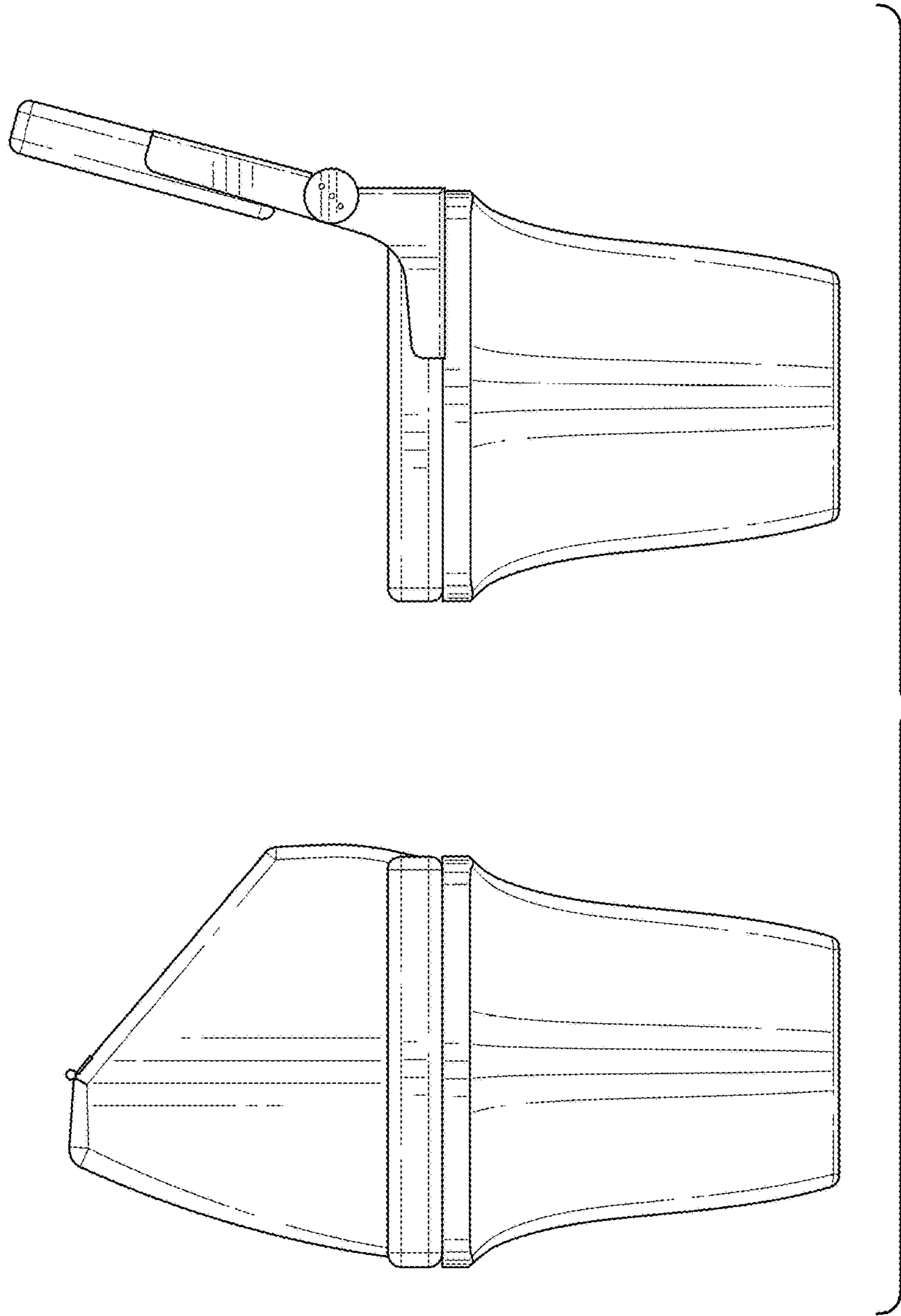


FIG. 3

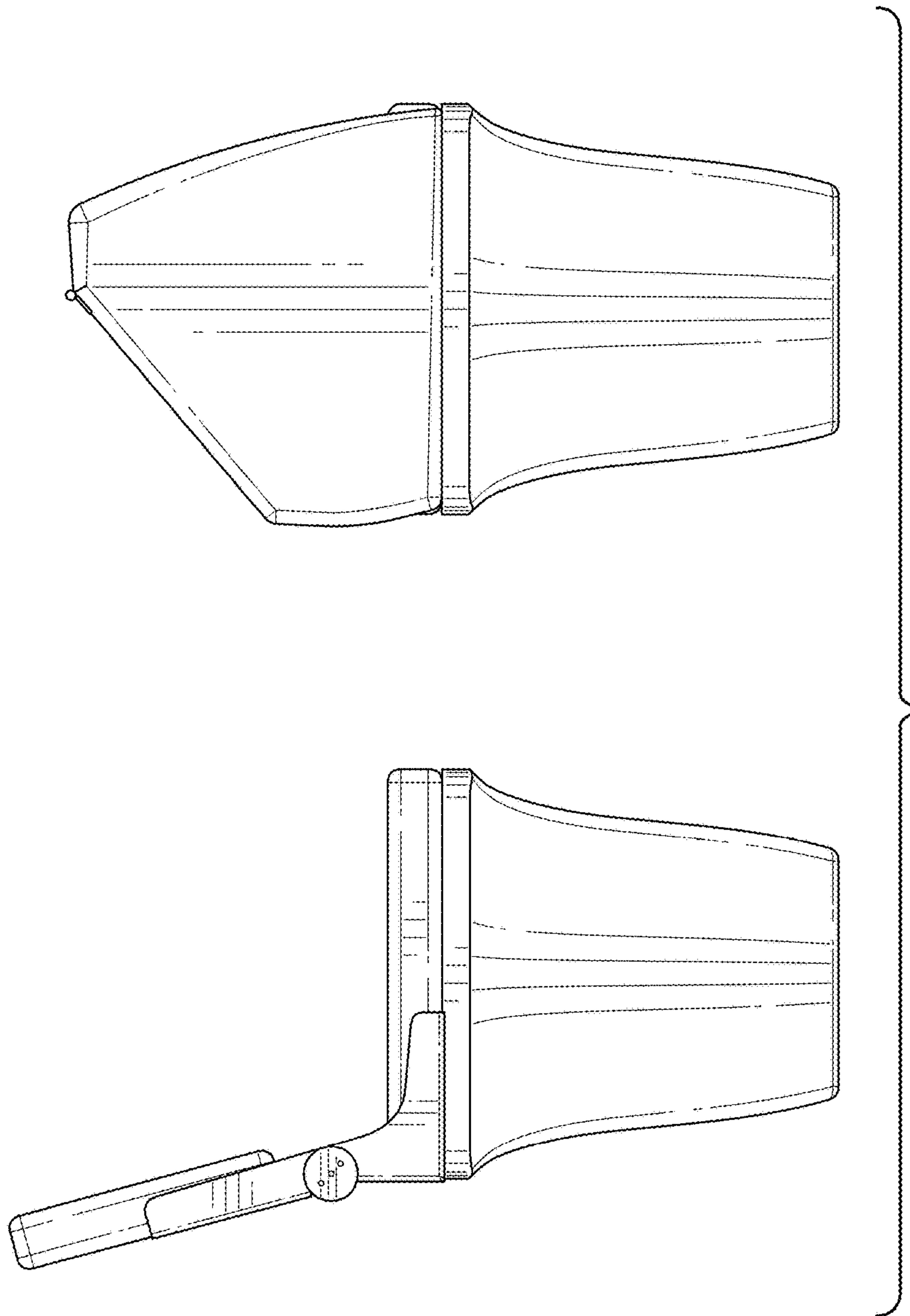


FIG. 4

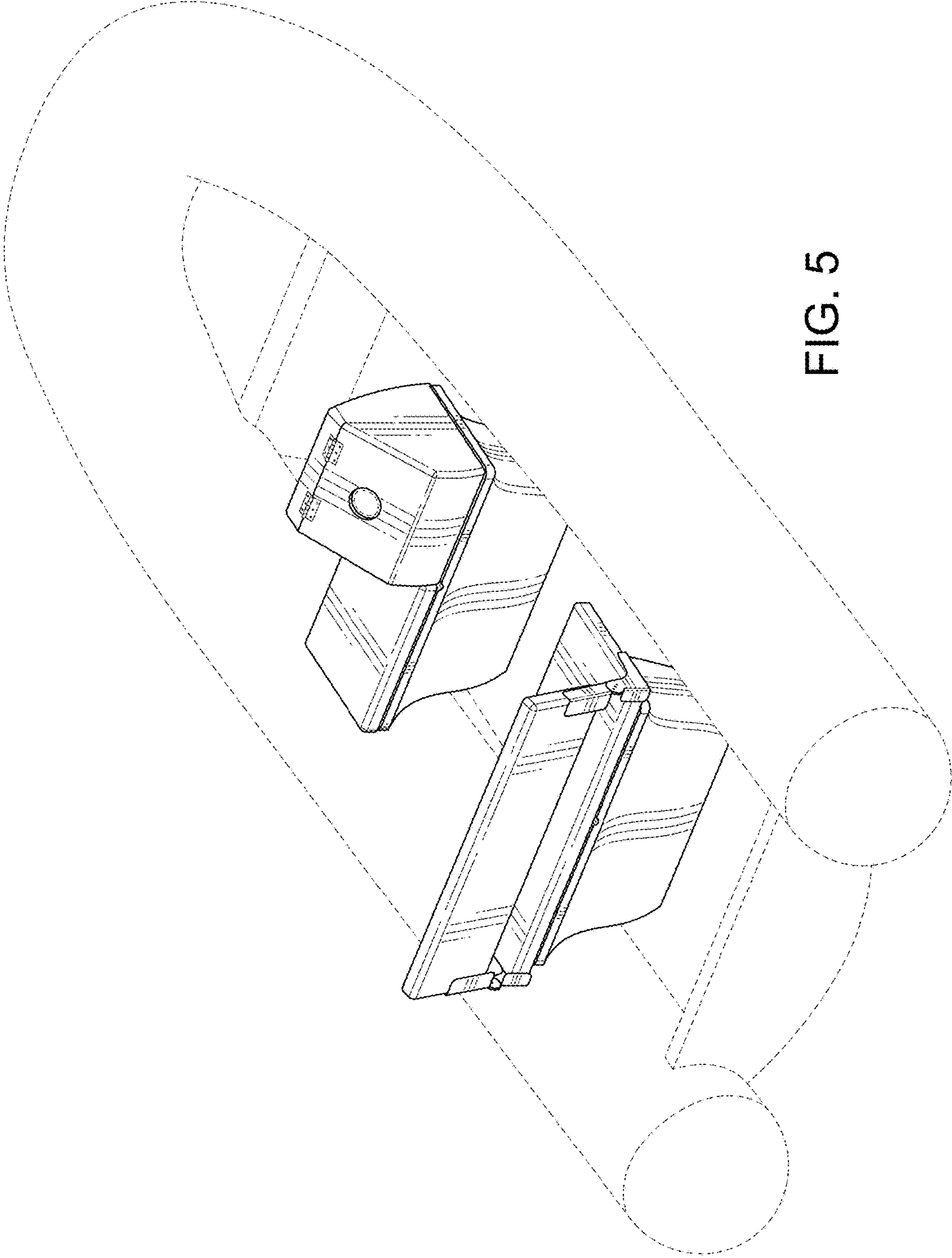


FIG. 5

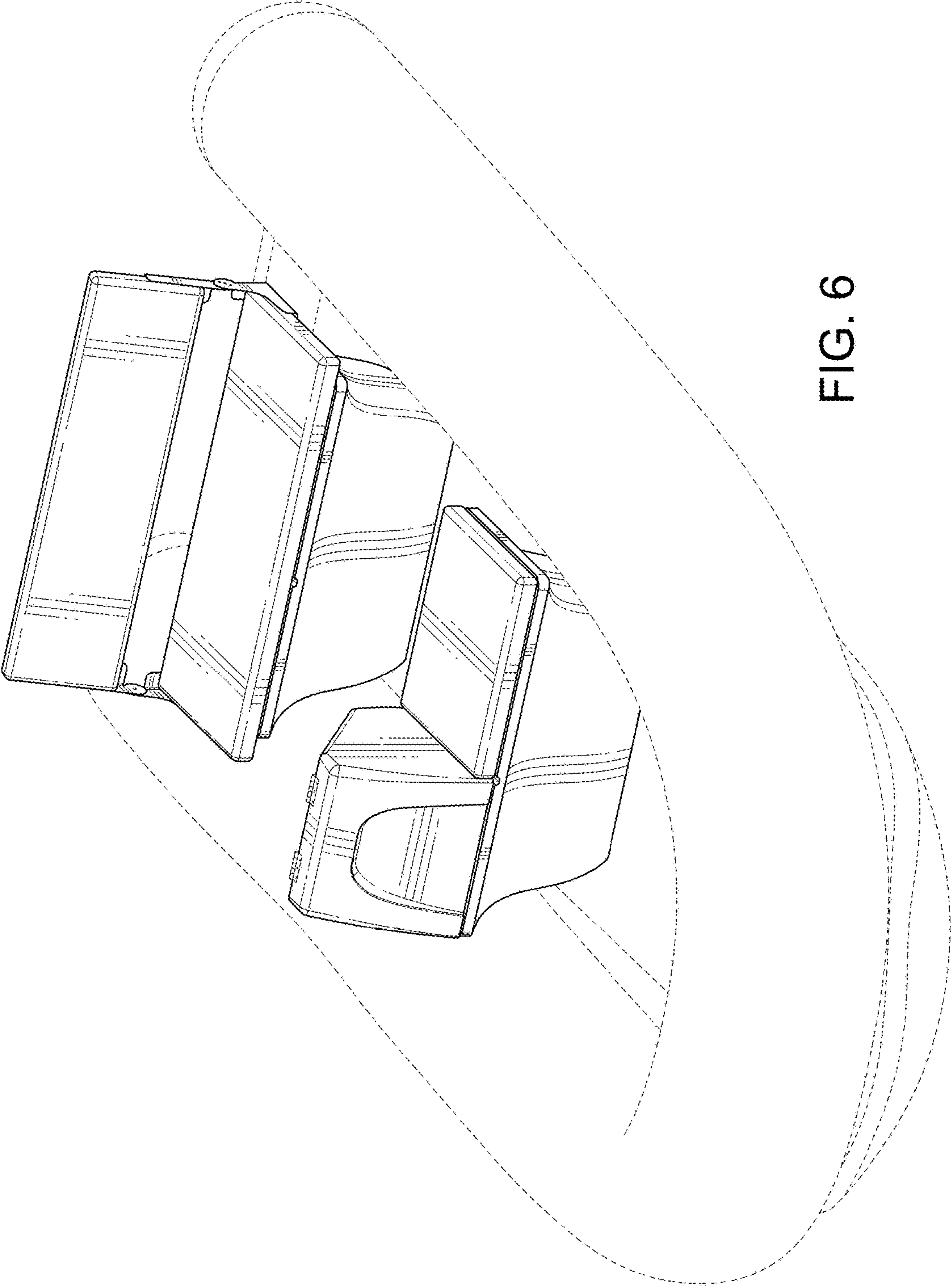


FIG. 6

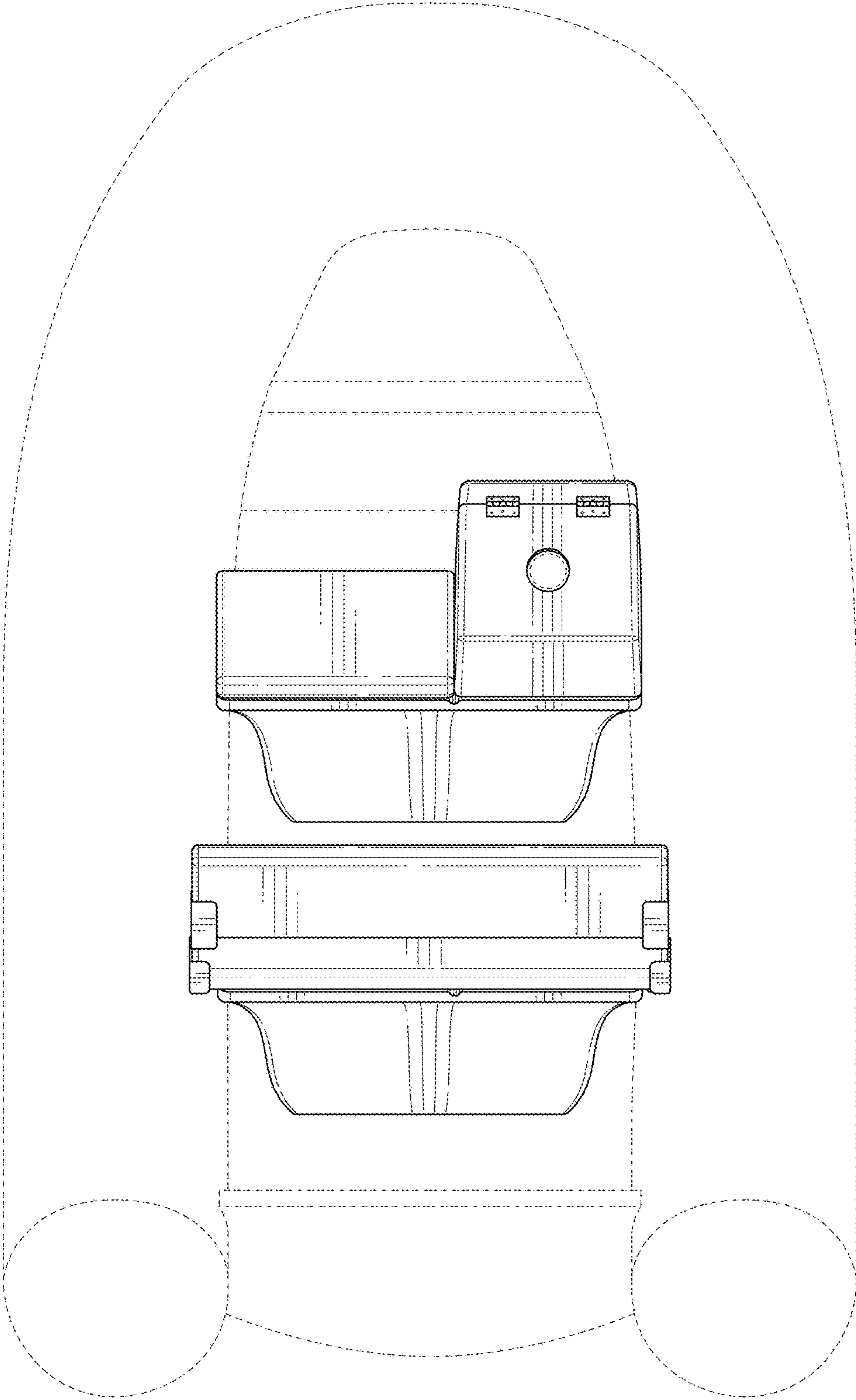


FIG. 7

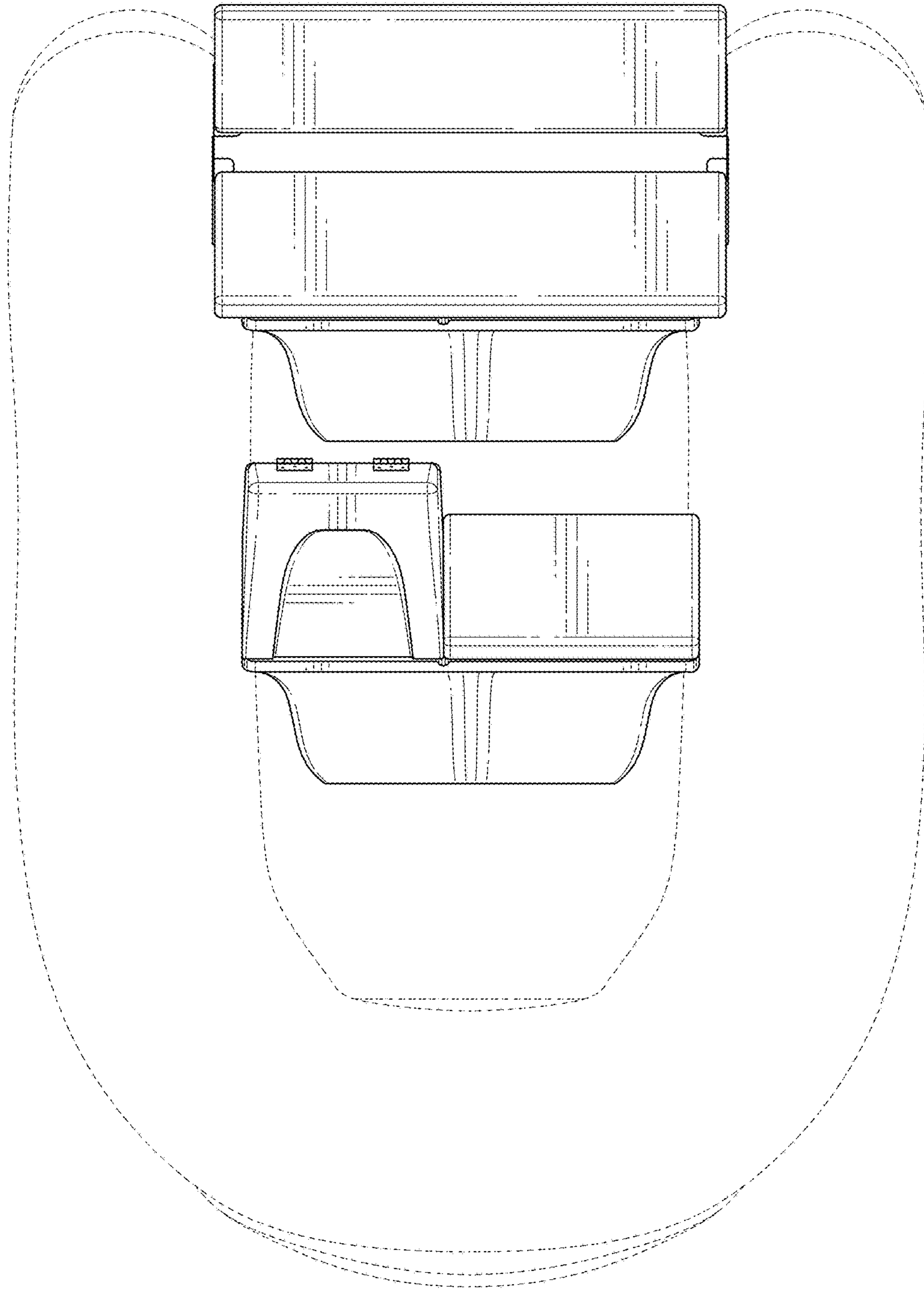


FIG. 8

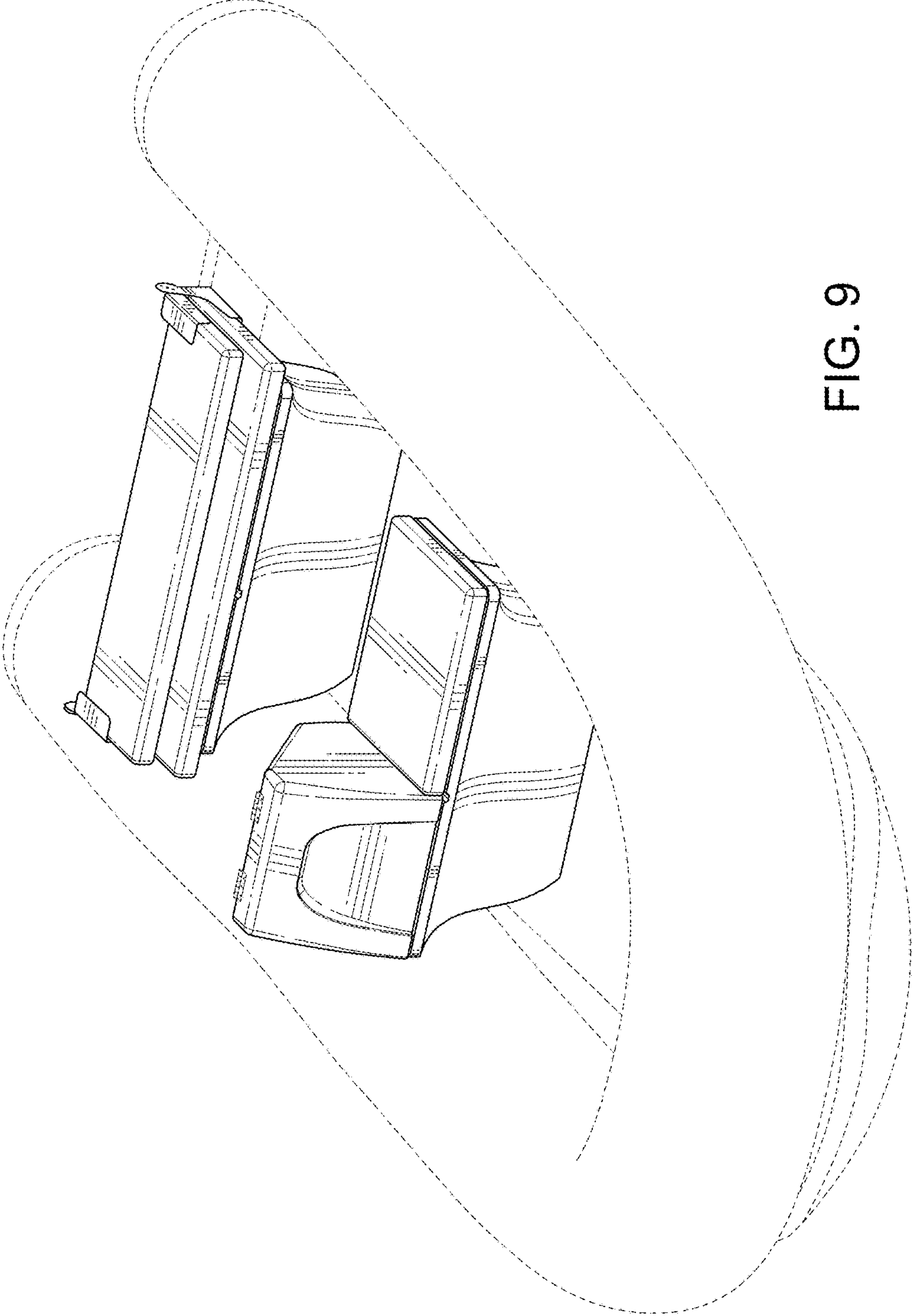


FIG. 9

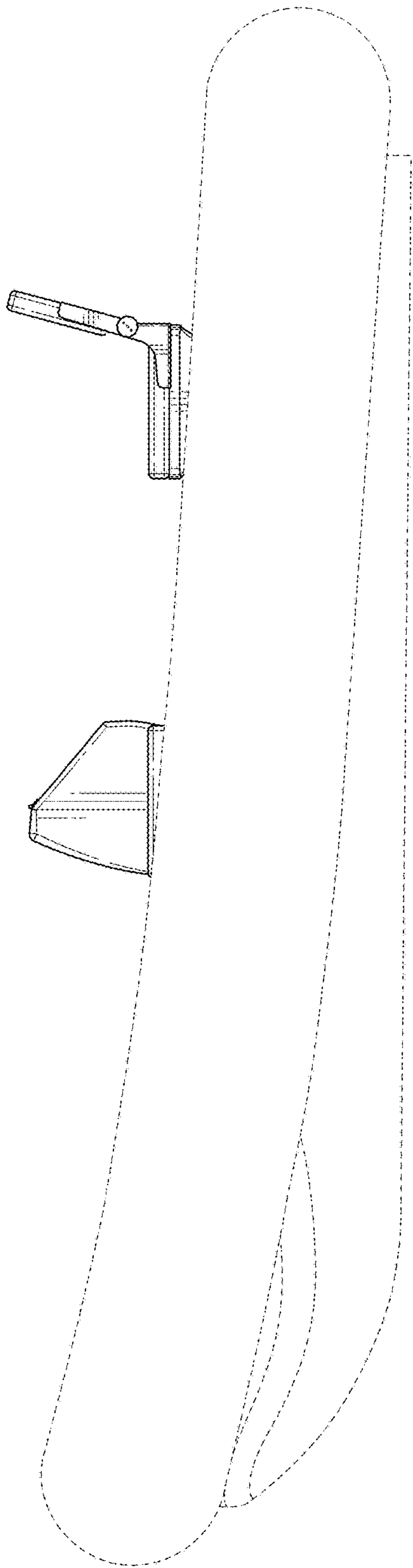


FIG. 10

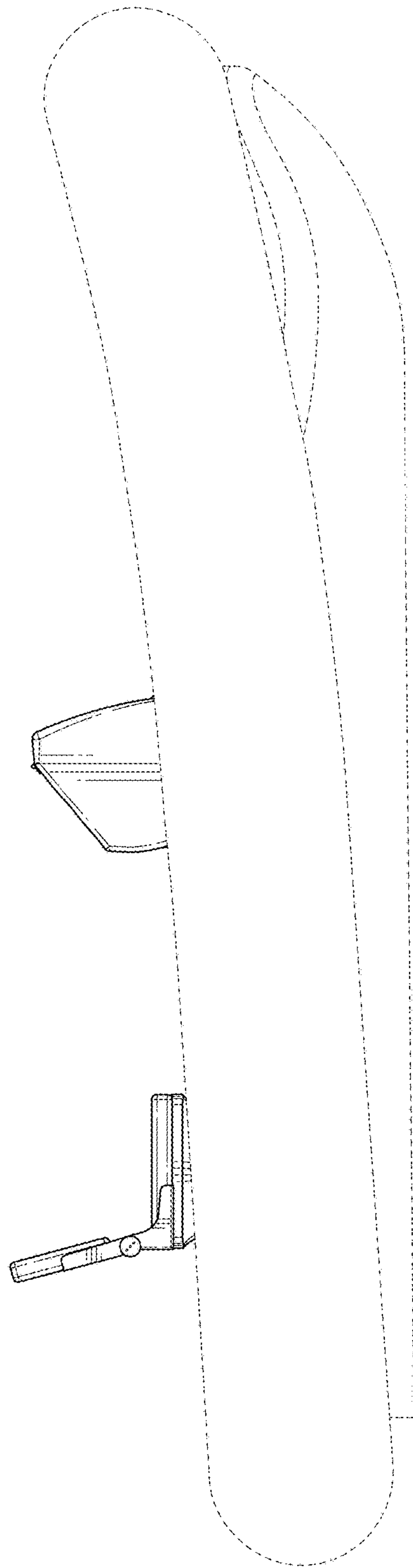


FIG. 11

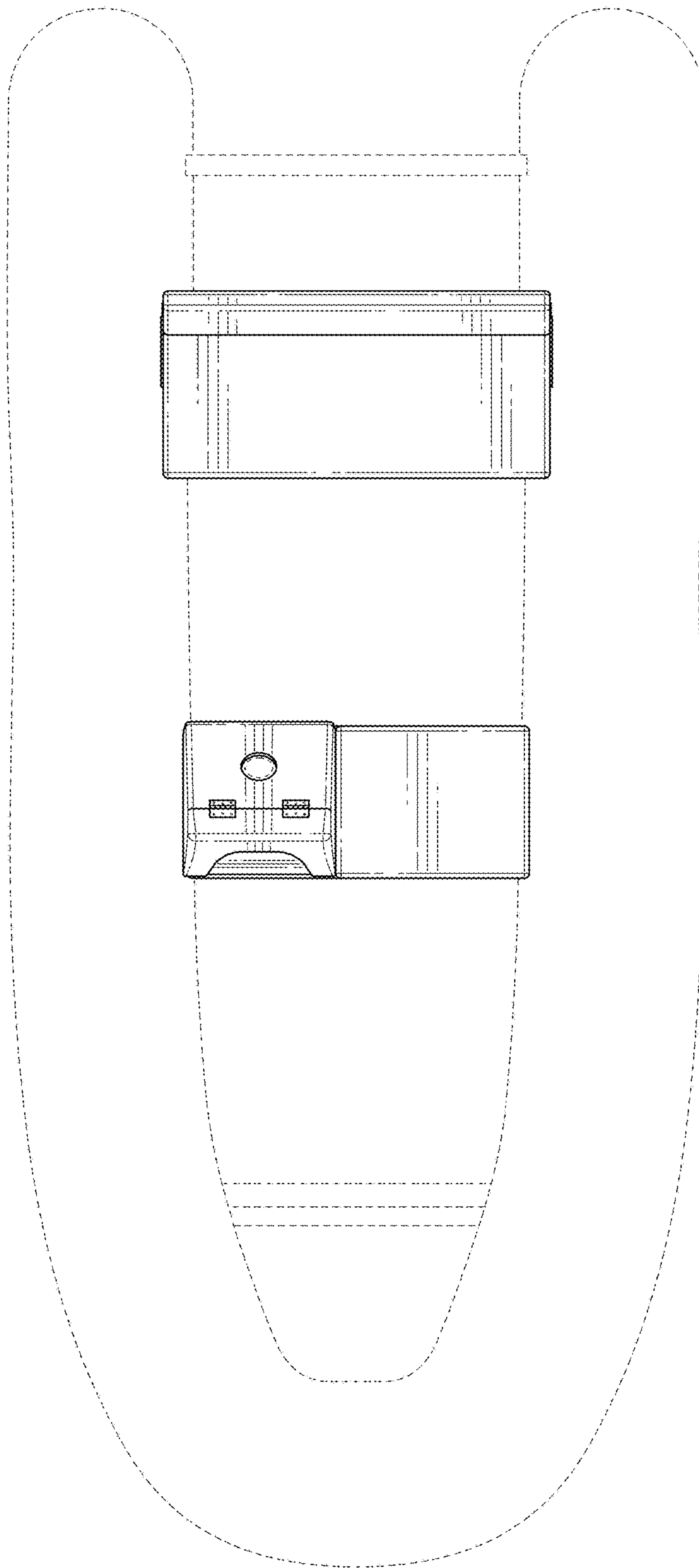


FIG. 12

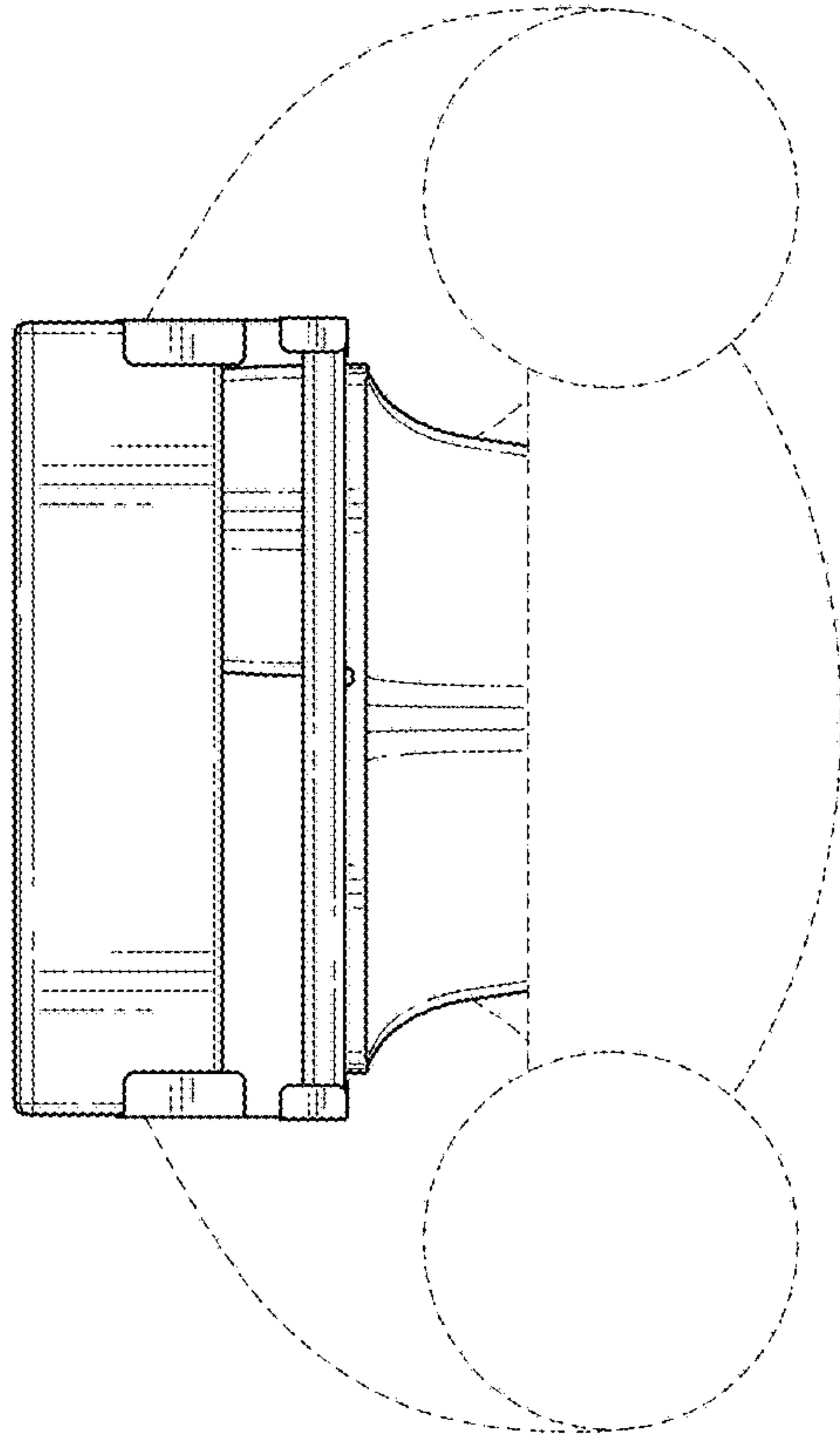


FIG. 14

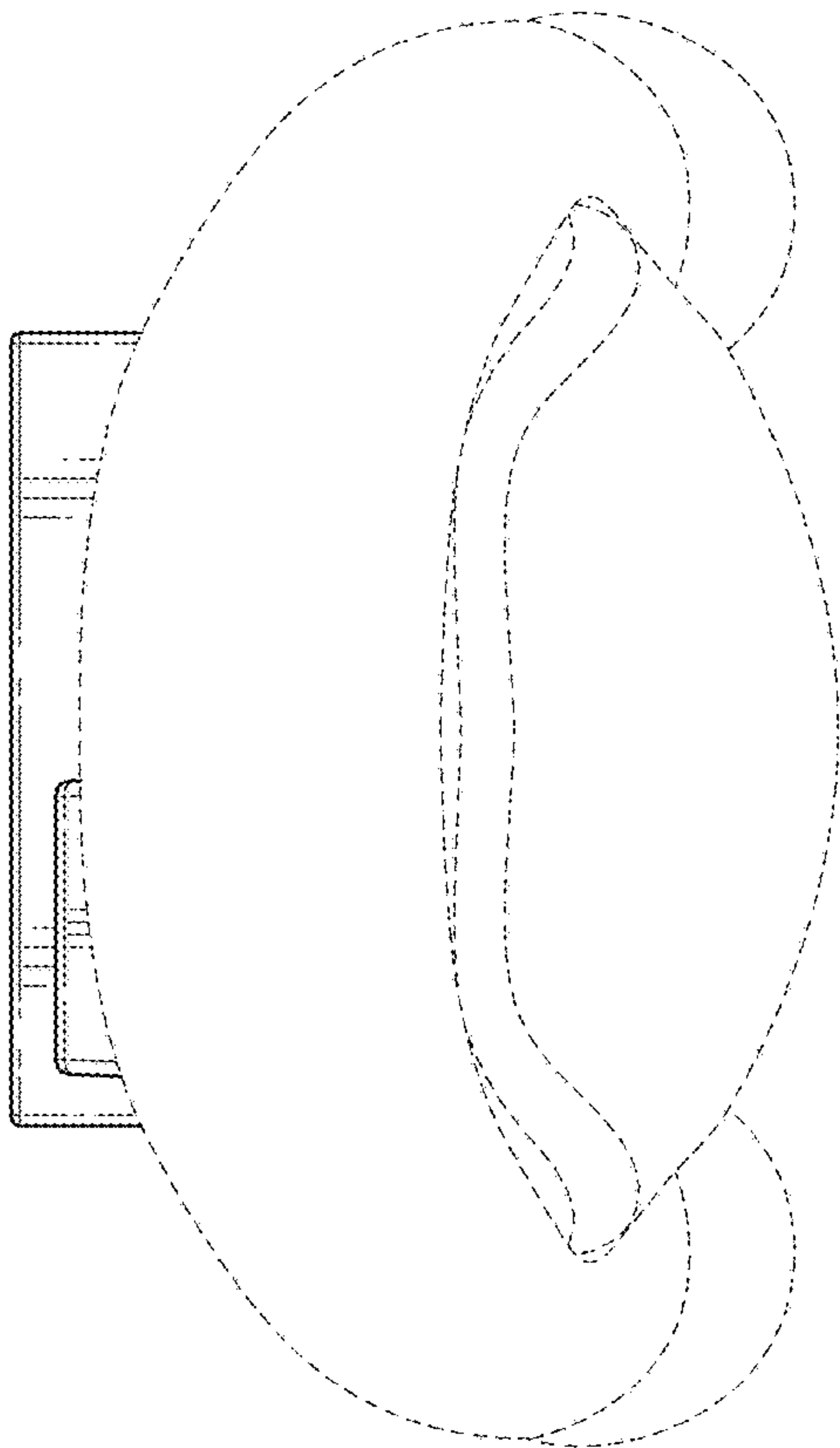


FIG. 13