



US00D794536S

(12) **United States Design Patent** (10) **Patent No.:** **US D794,536 S**  
**Hissong et al.** (45) **Date of Patent:** **\*\* Aug. 15, 2017**

(54) **MOLDED COVER FOR CLEAT**  
(71) Applicant: **Commercial Sewing, Inc.**, Torrington, CT (US)  
(72) Inventors: **Michael E. Hissong**, Torrington, CT (US); **David J. Mazzarelli**, Torrington, CT (US)  
(73) Assignee: **COMMERCIAL SEWING, INC.**, Torrington, CT (US)  
(\*\*) Term: **14 Years**  
(21) Appl. No.: **29/492,422**  
(22) Filed: **May 30, 2014**  
(51) **LOC (10) Cl.** ..... **12-06**  
(52) **U.S. Cl.**  
USPC ..... **D12/317; D3/301**  
(58) **Field of Classification Search**  
USPC ..... D3/218, 227, 232-233, 239, 240-243, D3/249, 289, 301, 303, 318, 323, 327, D3/328, 900; D12/607, 401, 202, 216, D12/317; D15/5, 18  
CPC ..... Y10T 24/2586; Y10T 24/2589; Y10T 24/257; Y10T 24/25; A44B 19/262; A44B 19/26; A44B 19/00; A41F 1/008; A41D 2300/322; A45C 11/324  
See application file for complete search history.

D397,551 S \* 9/1998 Shefler ..... D3/263  
D407,556 S 4/1999 Au  
D417,541 S \* 12/1999 Conway ..... D3/263  
6,012,757 A 1/2000 Viertel et al.  
6,095,068 A 8/2000 Hori  
D430,393 S \* 9/2000 Conway ..... D3/203.3  
D451,674 S \* 12/2001 Leins ..... D3/206  
6,325,121 B1 12/2001 Hudnall  
D459,887 S 7/2002 Johnson  
6,588,827 B2 7/2003 Heiland  
D495,185 S 8/2004 Palmer  
D514,861 S 2/2006 Mundy et al.  
D514,862 S 2/2006 Fair  
D518,640 S 4/2006 Hoofnagle  
7,021,235 B1 4/2006 Nikjewicz-Larsen  
D586,559 S \* 2/2009 Lyons ..... D3/318  
D685,185 S 7/2013 Bulzis

(Continued)

**OTHER PUBLICATIONS**

Non-Final Office Action; U.S. Appl. No. 14/724,903, filed May 29, 2015; dated Aug. 30, 2016; 20 pages.

(Continued)

*Primary Examiner* — Robert M Spear  
*Assistant Examiner* — Eliza Bennett-Hattan  
(74) *Attorney, Agent, or Firm* — Cantor Colburn LLP

(57) **CLAIM**

We claim, the ornamental design for a molded cover for cleat, as shown and described.

**DESCRIPTION**

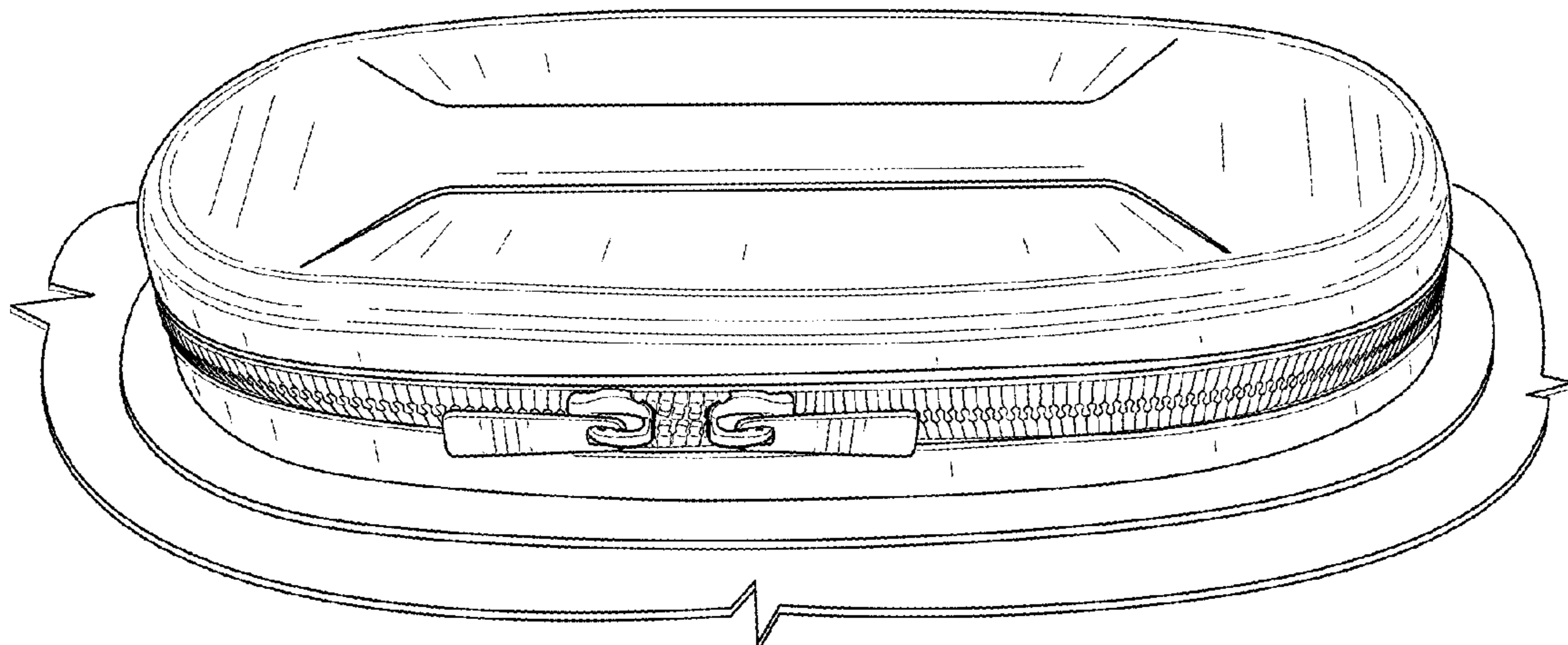
FIG. 1 is a perspective view of a molded cover for cleat, showing my new design;  
FIG. 2 is a front view of FIG. 1;  
FIG. 3 is a back view of FIG. 1;  
FIG. 4 is a top plan view of FIG. 1;  
FIG. 5 is a side elevation view of FIG. 1; and,  
FIG. 6 is another side elevation view of FIG. 1.

**1 Claim, 5 Drawing Sheets**

(56) **References Cited**

**U.S. PATENT DOCUMENTS**

D29,696 S \* 11/1898 Casey et al. .... D3/265  
D49,217 S \* 6/1916 King ..... D3/265  
D109,358 S 4/1938 Ridenour  
D115,805 S \* 7/1939 Wright ..... D3/301  
3,339,607 A 9/1967 Howard  
3,491,388 A 1/1970 Bareis  
3,818,620 A 6/1974 Field et al.  
5,636,871 A 6/1997 Field



(56)

**References Cited**

U.S. PATENT DOCUMENTS

D692,665 S 11/2013 Willows et al.  
D703,944 S \* 5/2014 Marks ..... D3/203.5  
D703,949 S 5/2014 Chappell et al.  
D712,144 S \* 9/2014 Albanese ..... D3/301  
D716,045 S 10/2014 Requa  
D731,178 S \* 6/2015 Gorouvein ..... D3/265  
2005/0134078 A1 6/2005 Iwatsuka et al.  
2015/0210150 A1 7/2015 Alexander  
2015/0343889 A1 12/2015 Hissong et al.

OTHER PUBLICATIONS

Notice of Allowance; U.S. Appl. No. 29/492,428, filed May 30, 2014; dated Oct. 6, 2016; 12 pages.

Requirement for Restriction/Election; U.S. Appl. No. 29/492,428, filed May 30, 2014; dated Apr. 5, 2016; 5 pages.

\* cited by examiner

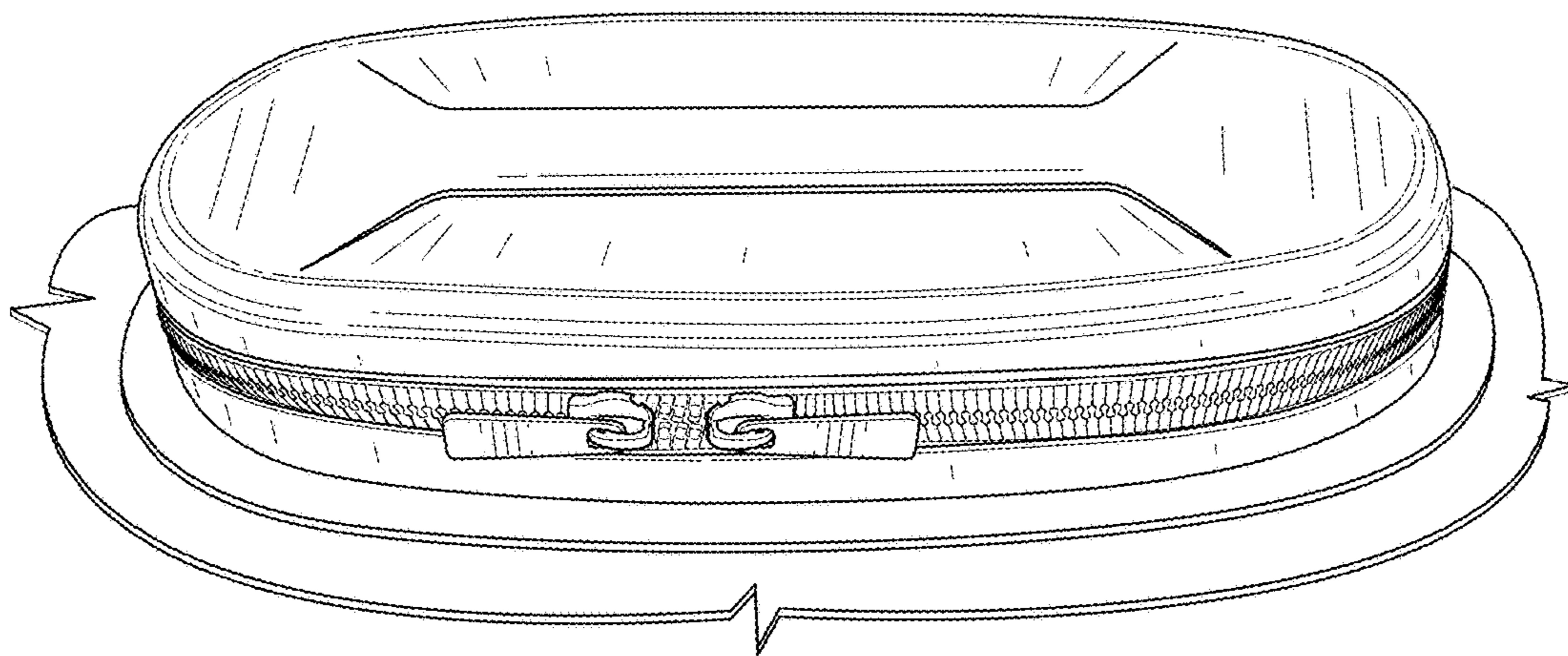


FIG. 1

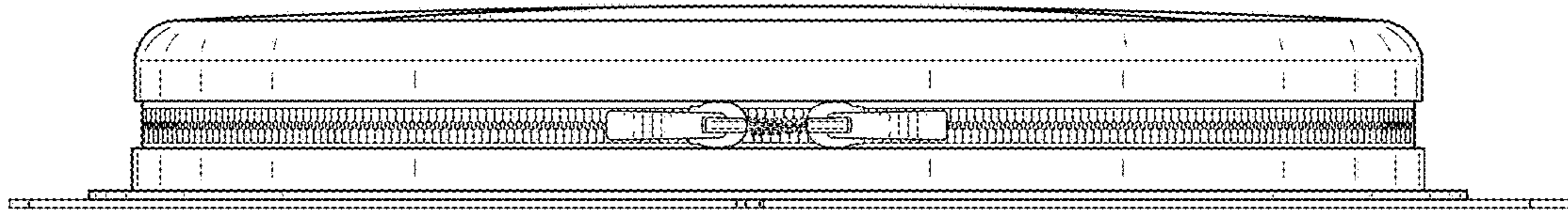


FIG. 2

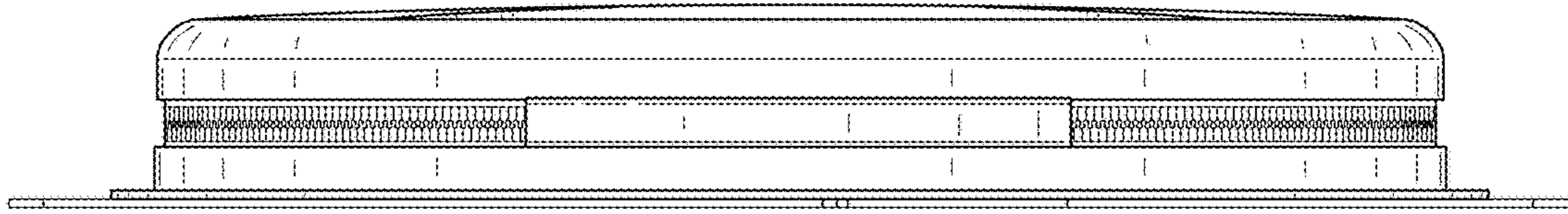


FIG. 3



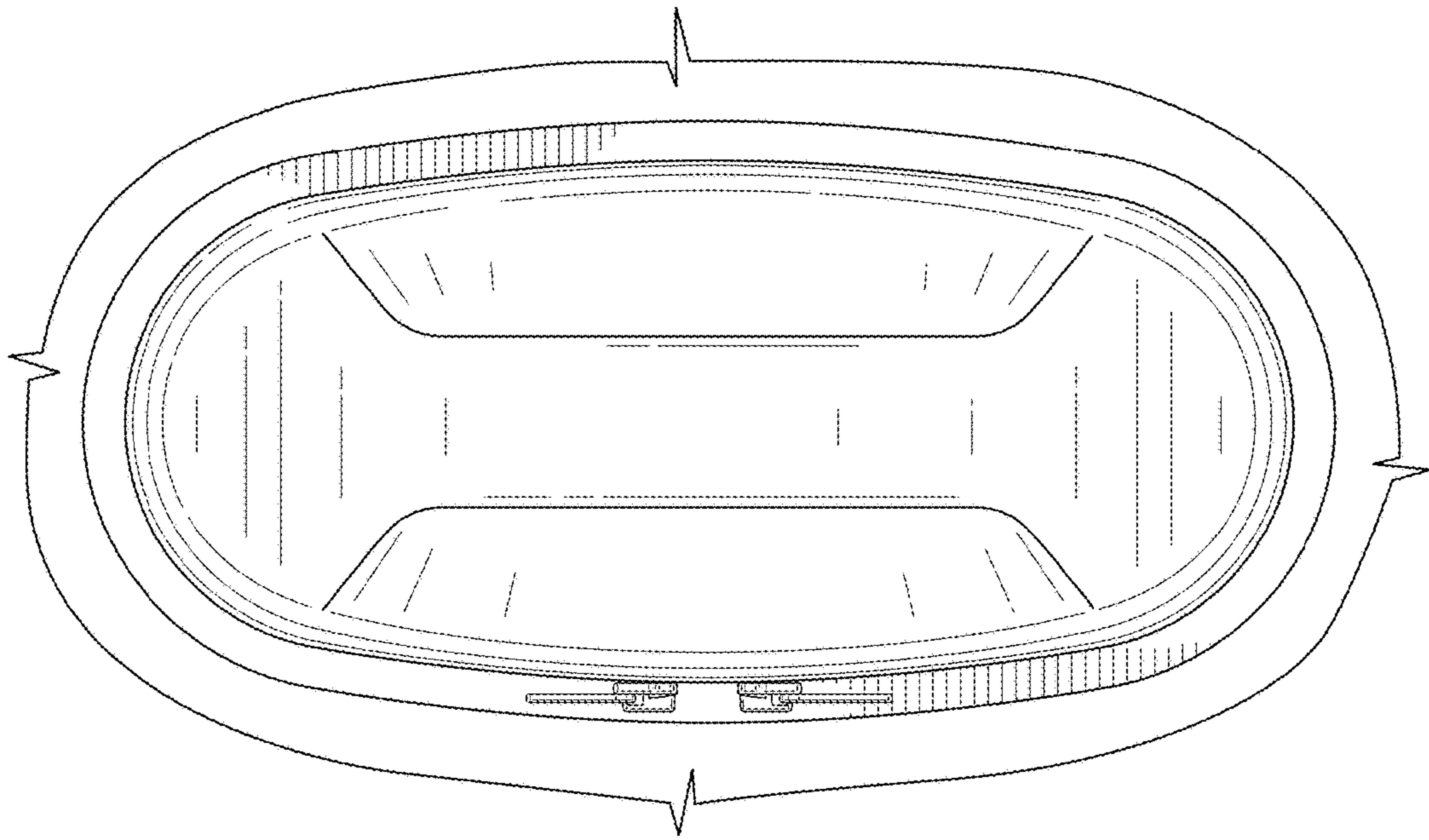
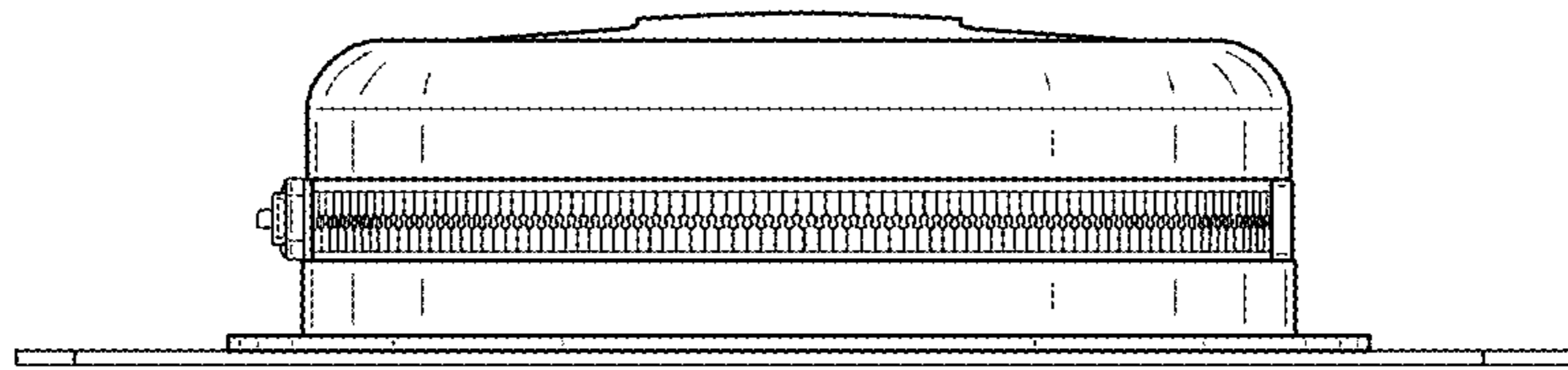
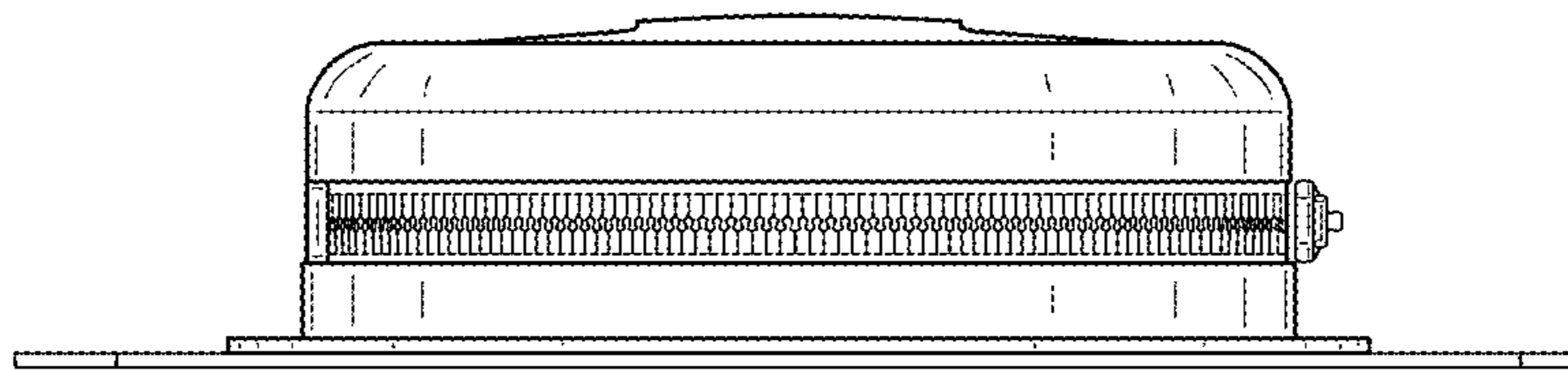


FIG. 4



*FIG. 5*



*FIG. 6*