



US00D794531S

(12) **United States Design Patent**  
**Zhao**

(10) **Patent No.:** **US D794,531 S**

(45) **Date of Patent:** **\*\* Aug. 15, 2017**

(54) **AUTOMOBILE WHEEL**

(71) Applicant: **John Zhao**, Monterey Park, CA (US)

(72) Inventor: **John Zhao**, Monterey Park, CA (US)

(73) Assignee: **Wah Hung Group, Inc.**, Monterey Park, CA (US)

(\*\*) Term: **15 Years**

(21) Appl. No.: **29/576,398**

(22) Filed: **Sep. 2, 2016**

(51) **LOC (10) Cl.** ..... **12-16**

(52) **U.S. Cl.**  
USPC ..... **D12/211**

(58) **Field of Classification Search**  
USPC ..... D12/204–213  
CPC .... B60B 7/00; B60B 7/02; B60B 7/04; B60B 7/01; B60B 7/06; B60B 3/02; B60B 3/04; B60B 3/06; B60B 3/10; B60B 1/00; B60B 1/08; B60B 1/10; B60B 1/12  
See application file for complete search history.

(56) **References Cited**

**U.S. PATENT DOCUMENTS**

D548,162 S *	8/2007	Baum	.....	D12/211
D551,149 S *	9/2007	Elmitt	.....	D12/211
D590,318 S *	4/2009	Theiss	.....	D12/211
D593,022 S *	5/2009	Forster	.....	D12/211
D615,917 S	5/2010	Zhao		
D616,799 S	6/2010	Zhao		
D616,800 S	6/2010	Zhao		
D616,801 S	6/2010	Zhao		
D616,802 S	6/2010	Zhao		
D617,244 S	6/2010	Zhao		
D617,246 S	6/2010	Zhao		
D617,248 S	6/2010	Zhao		
D617,250 S	6/2010	Zhao		
D617,251 S	6/2010	Zhao		

D617,252 S	6/2010	Zhao
D617,253 S	6/2010	Zhao
D617,713 S	6/2010	Zhao
D617,718 S	6/2010	Zhao
D617,719 S	6/2010	Zhao
D617,720 S	6/2010	Zhao
D617,721 S	6/2010	Zhao
D617,722 S	6/2010	Zhao
D617,723 S	6/2010	Zhao
D618,153 S	6/2010	Zhao
D618,154 S	6/2010	Zhao
D618,155 S	6/2010	Zhao
D618,156 S	6/2010	Zhao
D618,605 S	6/2010	Zhao
D618,606 S	6/2010	Zhao
D619,074 S	7/2010	Zhao
D619,075 S	7/2010	Zhao
D620,425 S	7/2010	Zhao
D620,867 S	8/2010	Zhao
D620,874 S	8/2010	Zhao
D622,197 S	8/2010	Zhao
D622,200 S	8/2010	Zhao
D622,201 S	8/2010	Zhao

(Continued)

*Primary Examiner* — Stacia Cadmus

(74) *Attorney, Agent, or Firm* — Adli Law Group P.C.

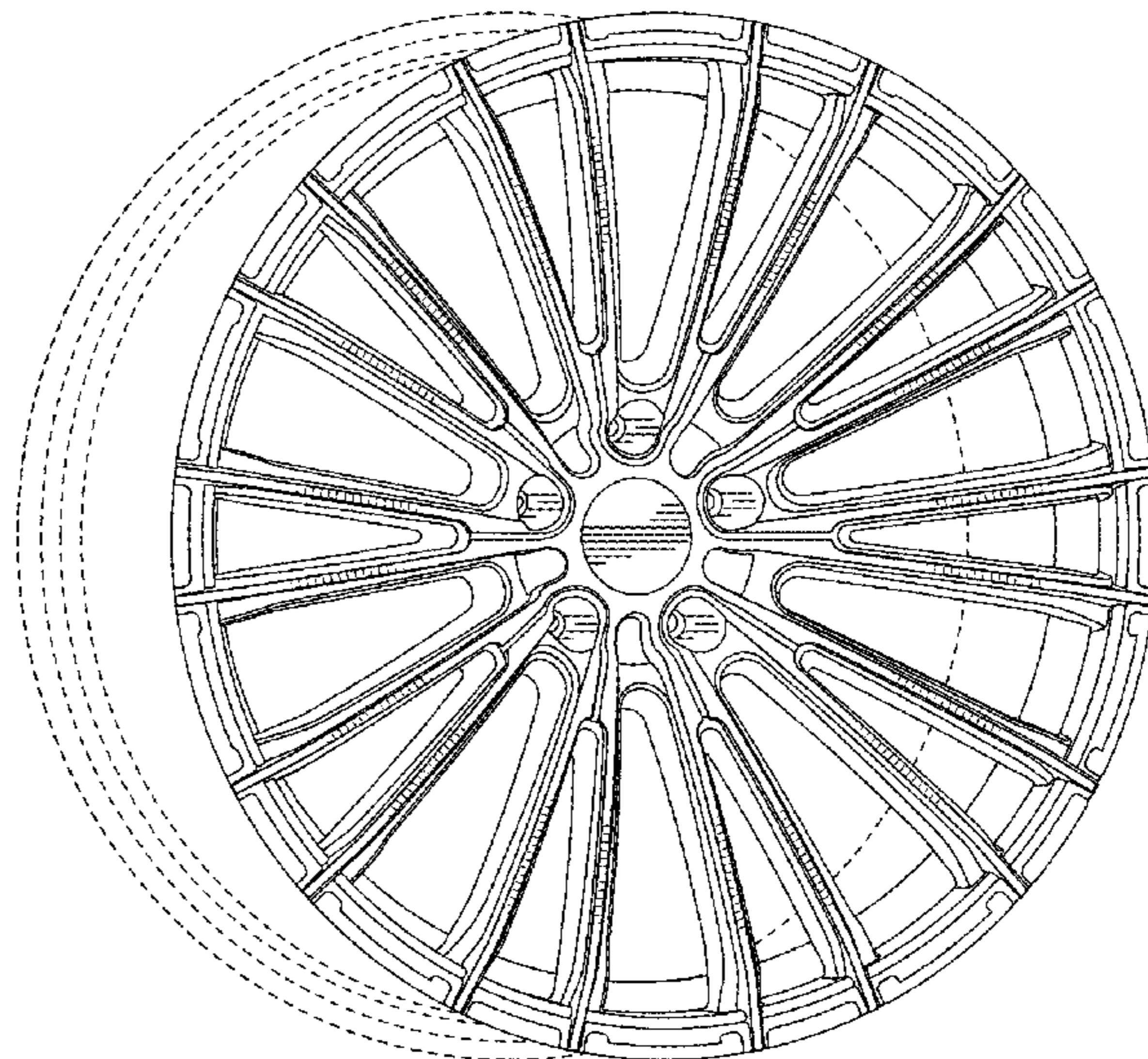
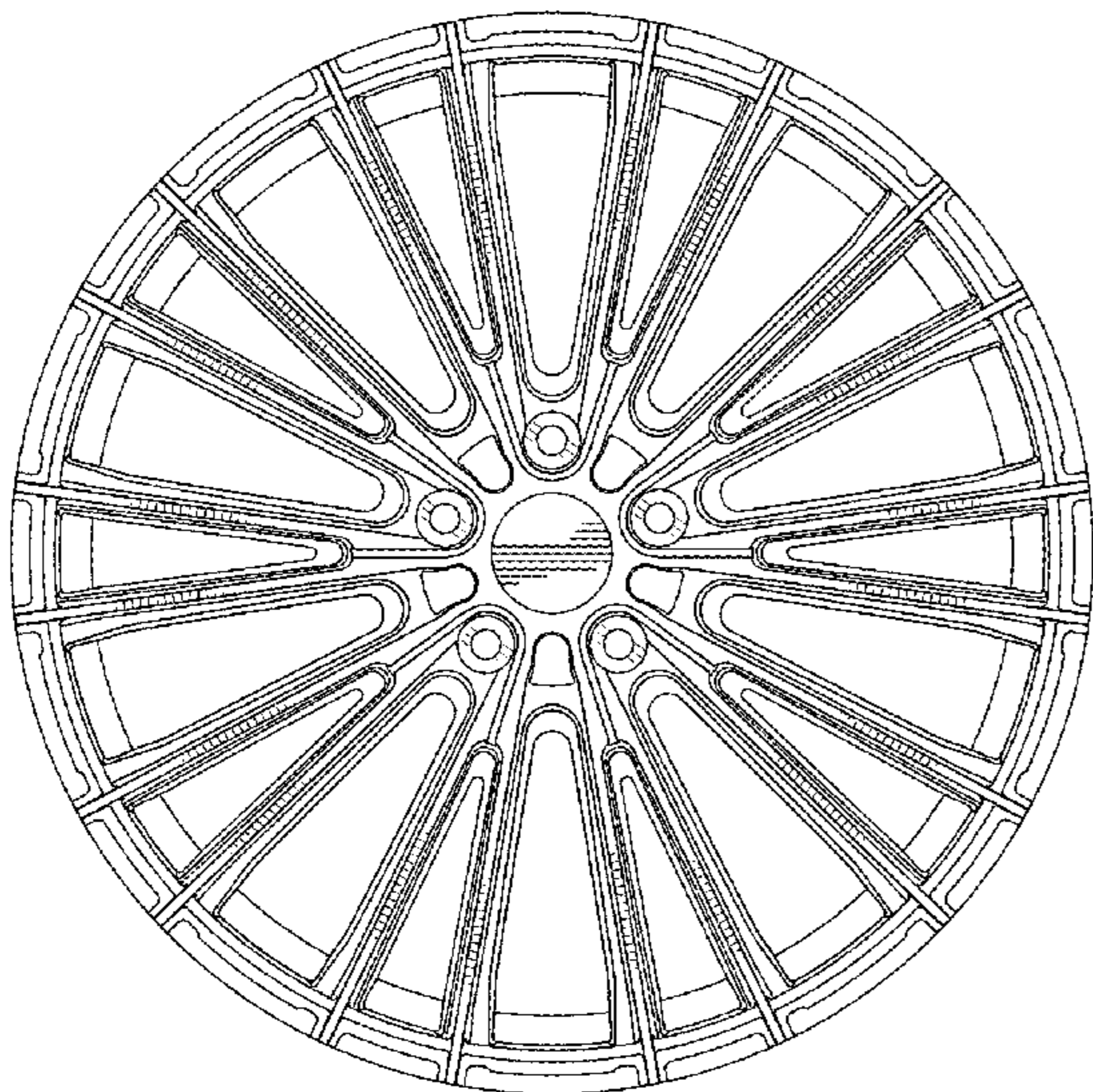
(57) **CLAIM**

I claim the ornamental design for an automobile wheel, as shown and described.

**DESCRIPTION**

FIG. 1 is a front elevational view of an automobile wheel according to the claimed design; and, FIG. 2 is a perspective view of the automobile wheel according to the claimed design. The ornamental design which is claimed is shown in solid lines in the drawings. In the drawings, the broken lines depict environmental subject matter only and form no part of the claimed design.

**1 Claim, 2 Drawing Sheets**



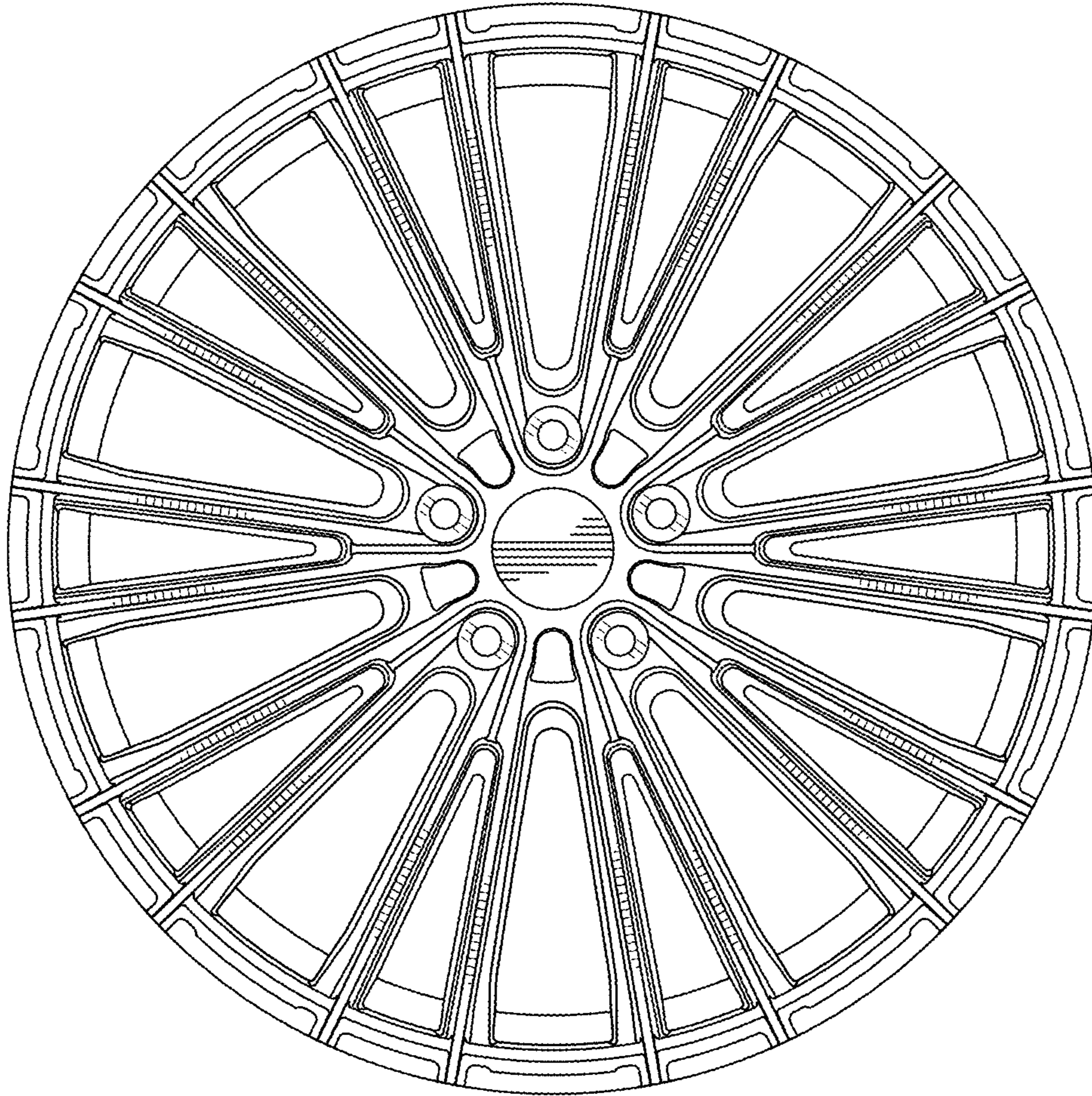
(56)

References Cited

U.S. PATENT DOCUMENTS

D622,202 S	*	8/2010	Zhao	.....	D12/211	D683,688 S	6/2013	Alfonso	
D622,651 S		8/2010	Zhao			D684,101 S	6/2013	Alfonso	
D623,116 S		9/2010	Zhao			D684,518 S	6/2013	Zhao	
D624,475 S		9/2010	Zhao			D684,915 S	6/2013	Zhao	
D624,478 S		9/2010	Zhao			D685,309 S	7/2013	Alfonso	
D624,861 S		10/2010	Zhao			D685,310 S	7/2013	Alfonso	
D624,862 S		10/2010	Zhao			D685,311 S	7/2013	Alfonso	
D624,863 S		10/2010	Zhao			D685,312 S	7/2013	Zhao	
D625,238 S		10/2010	Zhao			D687,757 S	*	8/2013	Lemke ..... D12/211
D625,241 S		10/2010	Zhao			D688,189 S	8/2013	Alfonso	
D625,242 S		10/2010	Zhao			D695,189 S	12/2013	Zhao	
D625,244 S		10/2010	Zhao			D695,192 S	12/2013	Zhao	
D628,135 S		11/2010	Zhao			D695,200 S	12/2013	Zhao	
D630,991 S		1/2011	Zhao			D695,201 S	12/2013	Zhao	
D637,947 S		5/2011	Zhao			D699,173 S	2/2014	Zhao	
D639,220 S		6/2011	Zhao			D699,659 S	2/2014	Zhao	
D643,794 S	*	8/2011	Elmitt	.....	D12/211	D699,660 S	2/2014	Zhao	
D652,364 S		1/2012	Zhao			D702,613 S	*	4/2014	Scheinutte ..... D12/211
D653,188 S		1/2012	Zhao			D706,698 S	6/2014	Zhao	
D653,189 S		1/2012	Zhao			D722,547 S	2/2015	Zhao	
D653,598 S		2/2012	Zhao			D723,992 S	3/2015	Zhao	
D653,599 S		2/2012	Zhao			D723,993 S	3/2015	Zhao	
D655,231 S		3/2012	Zhao			D723,995 S	3/2015	Zhao	
D655,232 S		3/2012	Zhao			D723,996 S	3/2015	Zhao	
D655,233 S		3/2012	Alfonso			D725,018 S	3/2015	Zhao	
D655,234 S		3/2012	Zhao			D726,621 S	4/2015	Alfonso	
D655,235 S		3/2012	Zhao			D726,623 S	4/2015	Alfonso	
D655,663 S		3/2012	Zhao			D727,828 S	*	4/2015	Amezqueta ..... D12/211
D655,664 S		3/2012	Zhao			D731,391 S	6/2015	Zhao	
D655,665 S		3/2012	Zhao			D741,243 S	10/2015	Zhao	
D655,666 S		3/2012	Zhao			D741,244 S	10/2015	Zhao	
D656,448 S		3/2012	Zhao			D741,245 S	10/2015	Zhao	
D656,449 S		3/2012	Zhao			D741,773 S	*	10/2015	Juergens ..... D12/211
D656,450 S		3/2012	Zhao			D741,775 S	10/2015	Zhao	
D656,451 S		3/2012	Zhao			D741,776 S	10/2015	Zhao	
D657,298 S	*	4/2012	Lee	.....	D12/211	D742,295 S	11/2015	Zhao	
D668,197 S	*	10/2012	Gotschke	.....	D12/211	D742,799 S	11/2015	Zhao	
D673,103 S	*	12/2012	Song	.....	D12/211	D743,316 S	11/2015	Zhao	
D678,165 S		3/2013	Zhao			D744,929 S	12/2015	Zhao	
D680,048 S		4/2013	Zhao			D748,559 S	2/2016	Zhao	
D680,483 S		4/2013	Zhao			D749,030 S	2/2016	Zhao	
D680,484 S		4/2013	Zhao			D749,031 S	2/2016	Zhao	
D680,485 S		4/2013	Zhao			D751,484 S	3/2016	Zhao	
D680,486 S		4/2013	Zhao			D751,488 S	3/2016	Zhao	
D680,487 S		4/2013	Zhao			D751,966 S	3/2016	Zhao	
D680,939 S		4/2013	Zhao			D752,498 S	3/2016	Zhao	
D681,532 S		5/2013	Zhao			D753,047 S	4/2016	Alfonso	
D681,534 S		5/2013	Zhao			D756,282 S	5/2016	Zhao	
D681,535 S		5/2013	Zhao			D756,285 S	5/2016	Zhao	
D681,536 S		5/2013	Zhao			D756,286 S	5/2016	Zhao	
D681,537 S		5/2013	Zhao			D756,880 S	5/2016	Zhao	
D681,538 S		5/2013	Zhao			D756,881 S	5/2016	Zhao	
D681,539 S		5/2013	Zhao			D758,277 S	6/2016	Alfonso	
D681,540 S		5/2013	Zhao			D758,941 S	6/2016	Zhao	
D682,177 S		5/2013	Zhao			D758,942 S	6/2016	Zhao	
D682,180 S		5/2013	Zhao			D758,945 S	6/2016	Zhao	
D682,181 S		5/2013	Zhao			D758,946 S	6/2016	Zhao	
D682,182 S		5/2013	Zhao			D758,947 S	6/2016	Zhao	
D682,183 S		5/2013	Zhao			D760,144 S	6/2016	Zhao	
D682,184 S		5/2013	Zhao			D760,636 S	*	7/2016	Kolb ..... D12/211
D682,185 S		5/2013	Zhao			D763,165 S	*	8/2016	Hans ..... D12/211
D682,765 S		5/2013	Alfonso			D763,766 S	8/2016	Alfonso	
D682,766 S		5/2013	Zhao			D763,767 S	8/2016	Alfonso	
D682,767 S		5/2013	Zhao			D764,366 S	8/2016	Zhao	
D682,769 S		5/2013	Zhao			D764,371 S	8/2016	Zhao	
D682,770 S		5/2013	Zhao			D769,167 S	*	10/2016	Muntada Roura ..... D12/211
D683,682 S		6/2013	Alfonso			D777,075 S	*	1/2017	Rueckheim ..... D12/211
D683,686 S		6/2013	Alfonso			D778,802 S	*	2/2017	Wolff ..... D12/211
D683,687 S		6/2013	Alfonso			D780,661 S	*	3/2017	Zhao ..... D12/211
						D781,204 S	*	3/2017	Peat ..... D12/211
						D782,954 S	*	4/2017	Liffick ..... D12/211

\* cited by examiner



*FIG. 1*

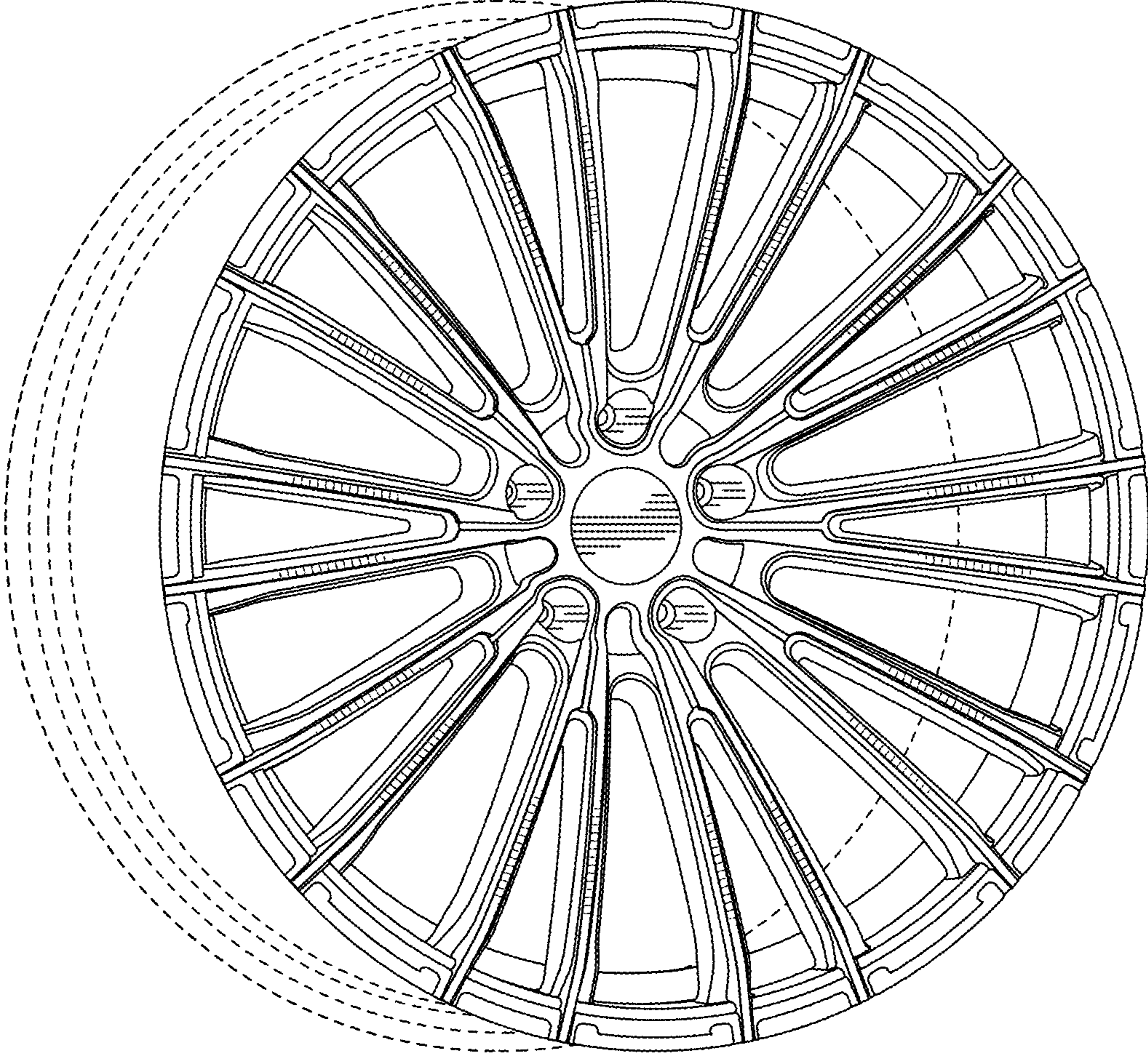


FIG. 2