



US00D794528S

(12) **United States Design Patent**
Setter

(10) **Patent No.:** **US D794,528 S**

(45) **Date of Patent:** **** Aug. 15, 2017**

(54) **WHEEL**

(71) Applicant: **Jaguar Land Rover Limited**, Whitley,
Coventry (GB)

(72) Inventor: **Adam Setter**, Coventry (GB)

(73) Assignee: **Jaguar Land Rover Limited**, Whitley,
Coventry (GB)

(**) Term: **15 Years**

(21) Appl. No.: **29/539,035**

(22) Filed: **Sep. 10, 2015**

(30) **Foreign Application Priority Data**

Mar. 16, 2015 (EM) 002656413

(51) **LOC (10) Cl.** **12-16**

(52) **U.S. Cl.**
USPC **D12/211**

(58) **Field of Classification Search**

USPC D12/204-213

CPC B60B 7/00; B60B 7/02; B60B 7/04; B60B
7/01; B60B 7/06; B60B 3/02; B60B 3/04;
B60B 3/06; B60B 3/10; B60B 1/00;
B60B 1/08; B60B 1/10; B60B 1/12

See application file for complete search history.

(56) **References Cited**

U.S. PATENT DOCUMENTS

D530,252 S * 10/2006 Gabath D12/209
D608,715 S * 1/2010 Bucher D12/211

D619,950 S * 7/2010 Antoniadis D12/209
D660,768 S * 5/2012 De Bono D12/211
D682,768 S * 5/2013 Hale D12/211
D693,284 S * 11/2013 Chen D12/211
D731,390 S * 6/2015 Kobayashi D12/211
D747,252 S * 1/2016 Buckingham D12/211
D761,182 S * 7/2016 Valencia Pollex D12/211
D768,046 S * 10/2016 Patel D12/211

* cited by examiner

Primary Examiner — Stacia Cadmus

(74) *Attorney, Agent, or Firm* — Wood Herron & Evans
LLP

(57) **CLAIM**

The ornamental design for a wheel, as shown and described.

DESCRIPTION

FIG. 1 is a front left perspective view of a wheel for a vehicle according to the present invention.

FIG. 2 is a front view of the wheel shown in FIG. 1.

FIG. 3 is a left side view thereof.

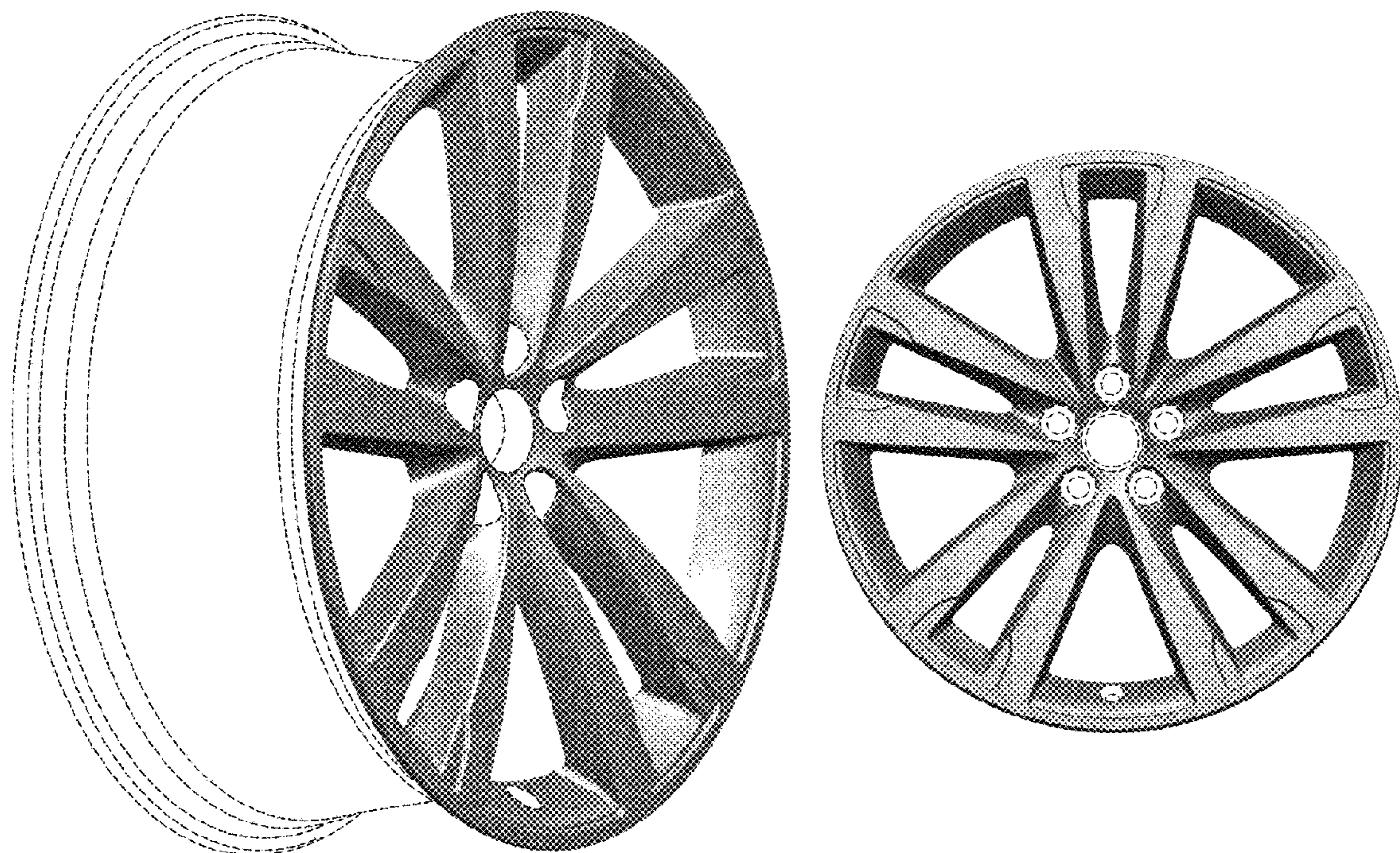
FIG. 4 is a front left perspective view of a wheel for a vehicle according to a second embodiment of the present invention.

FIG. 5 is a front view of the wheel shown in FIG. 4; and,

FIG. 6 is a left side view thereof.

The broken line showing of the rear of the rim, the valve stem hole, the bolt holes and the center hole in the central hub area is included for the purpose of illustrating environment and forms no part of the claimed design.

1 Claim, 4 Drawing Sheets



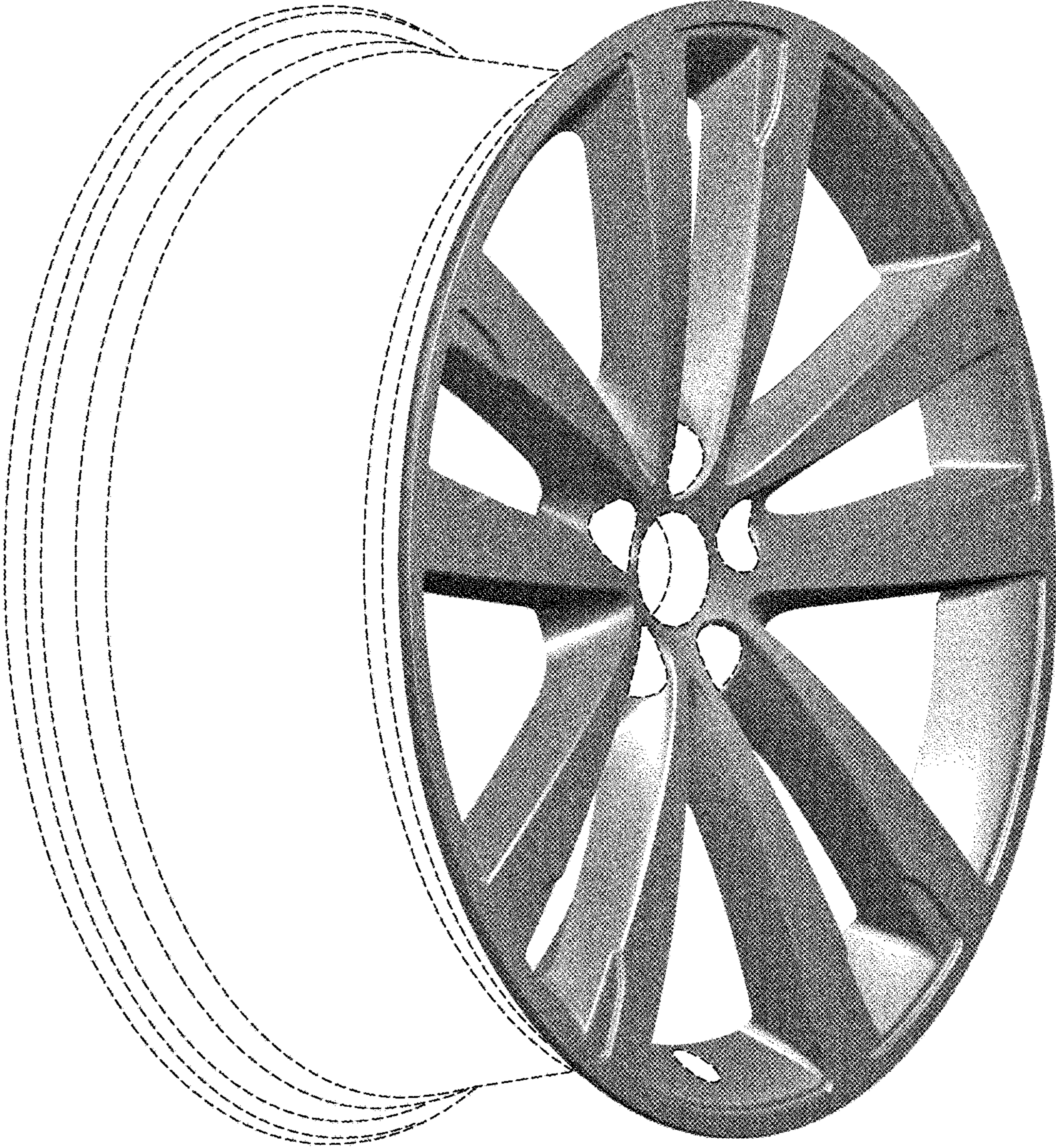


FIG. 1

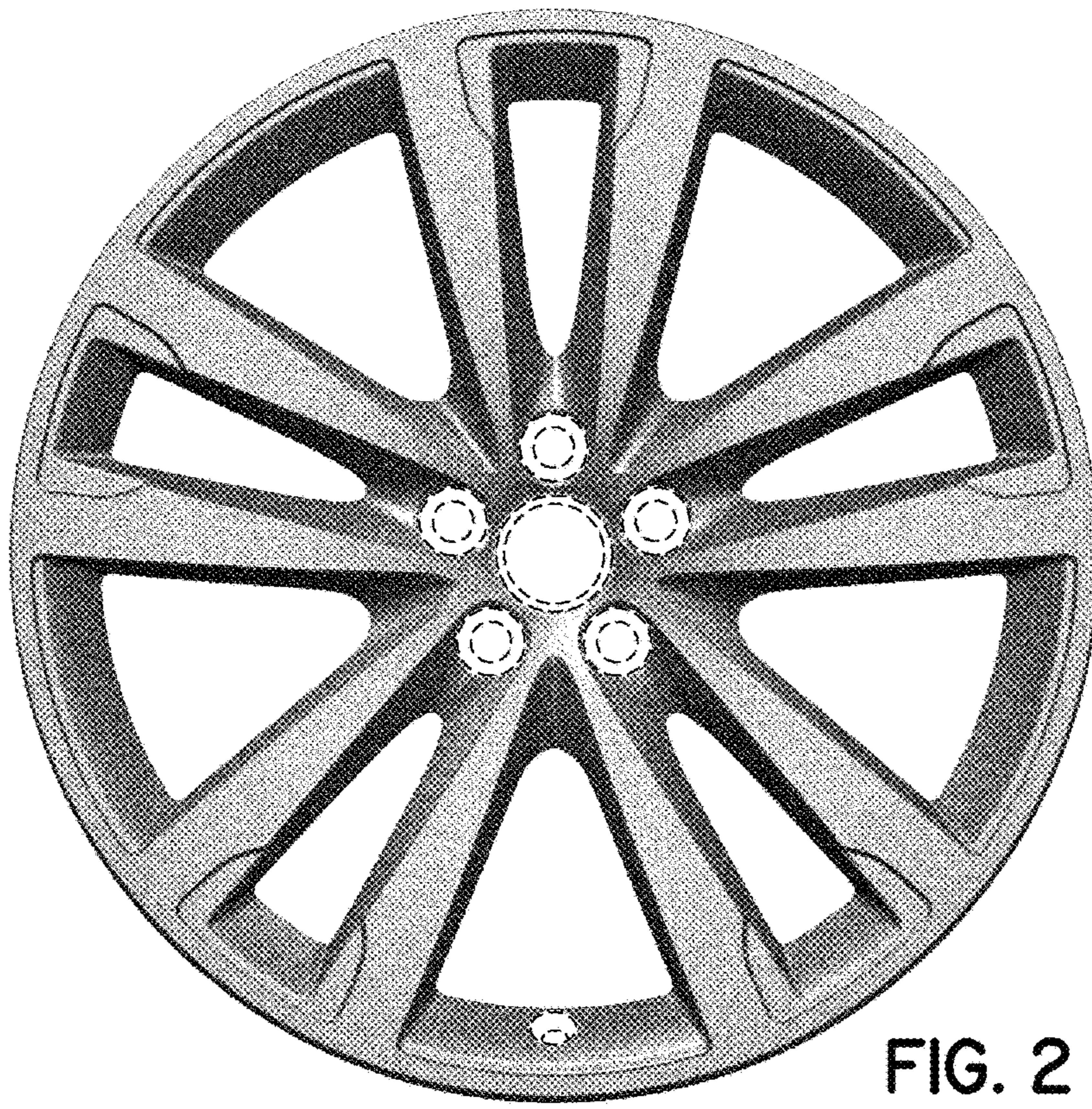


FIG. 2

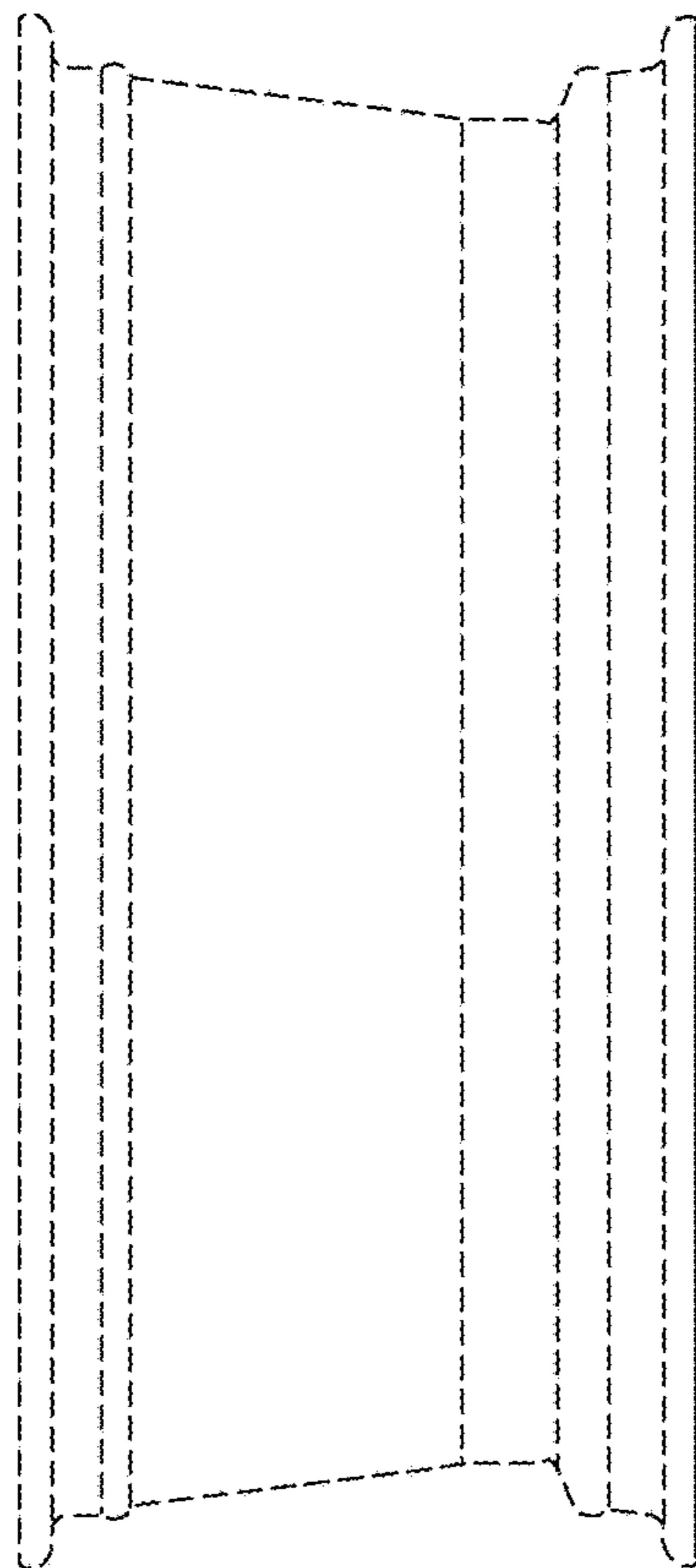


FIG. 3

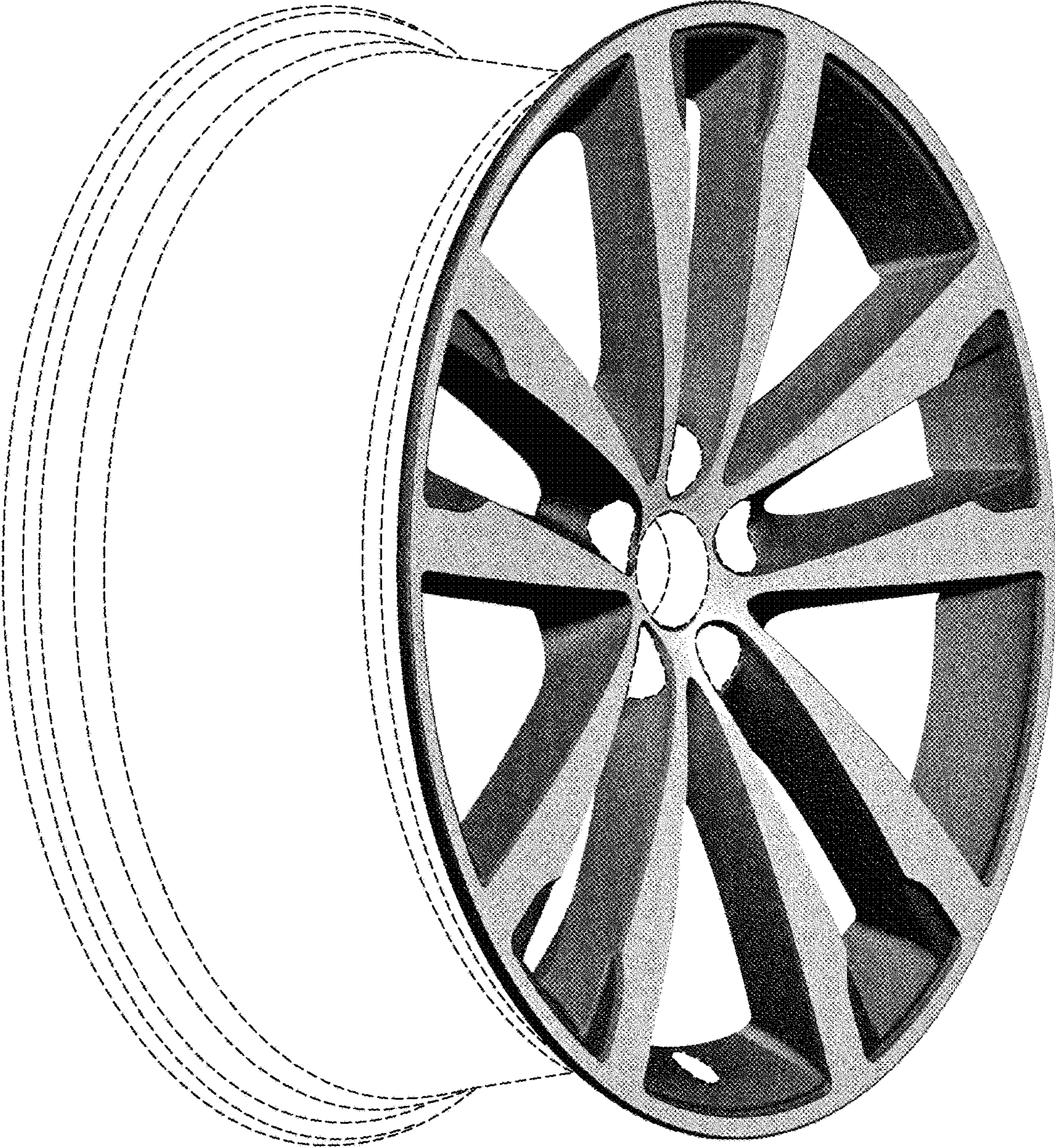


FIG. 4

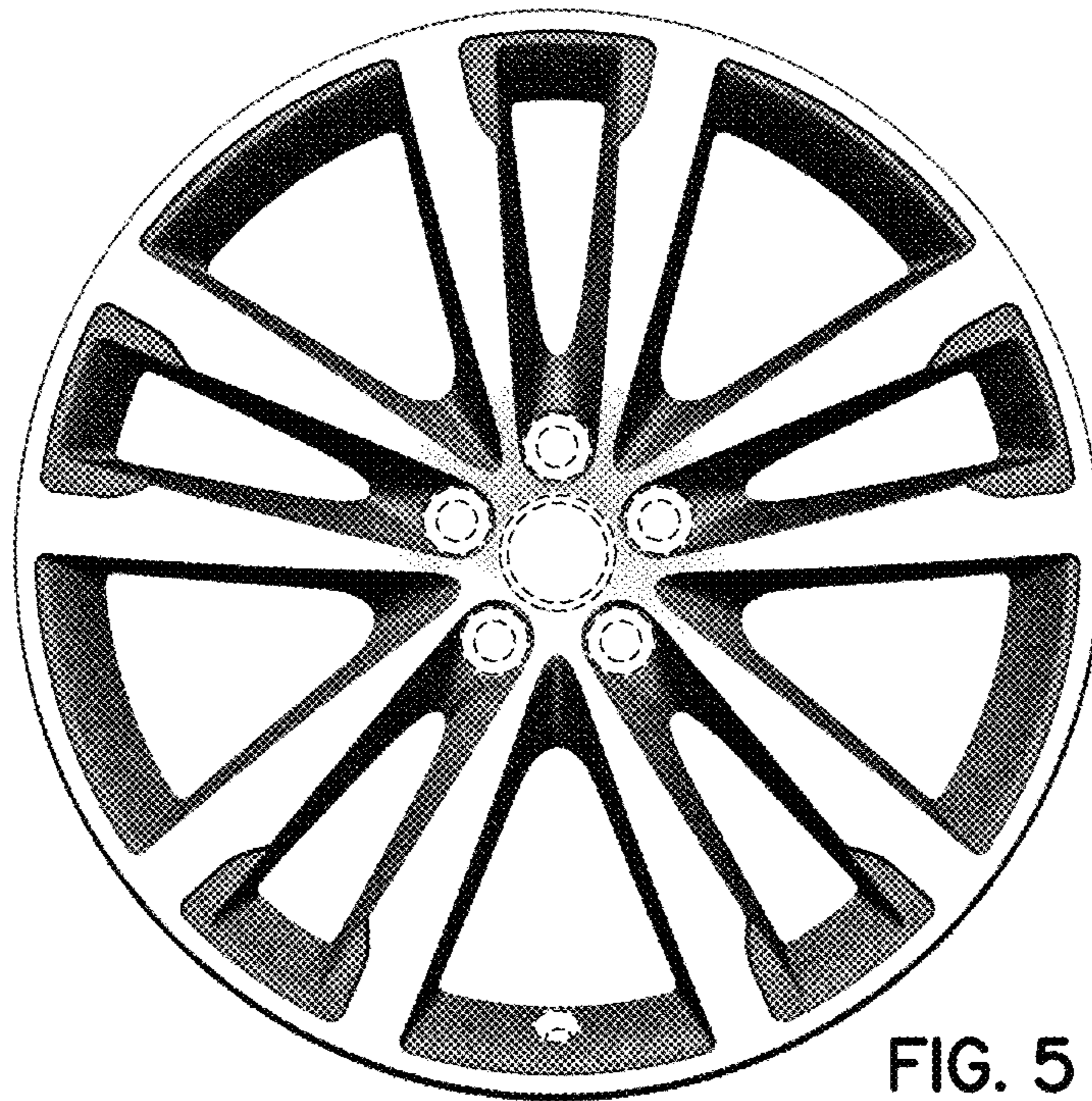


FIG. 5

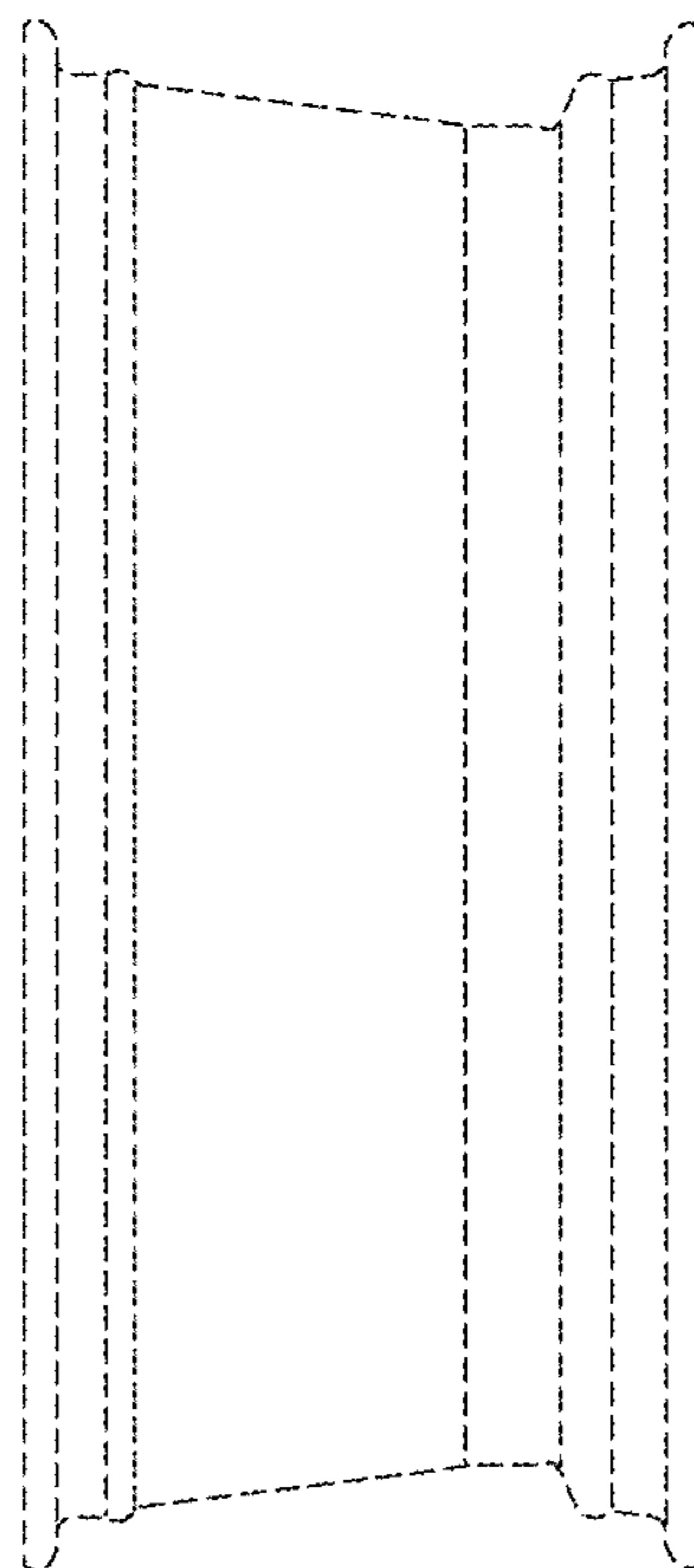


FIG. 6