



US00D794527S

(12) **United States Design Patent**
Johnson

(10) **Patent No.:** **US D794,527 S**

(45) **Date of Patent:** **** Aug. 15, 2017**

(54) **AUTOMOTIVE WHEEL**

(71) Applicant: **Kelly R. Johnson**, City of Industry, CA (US)

(72) Inventor: **Kelly R. Johnson**, City of Industry, CA (US)

(**) Term: **15 Years**

(21) Appl. No.: **29/577,195**

(22) Filed: **Sep. 9, 2016**

(51) **LOC (10) Cl.** **12-16**

(52) **U.S. Cl.**
USPC **D12/209**

(58) **Field of Classification Search**
USPC D12/204–213
CPC B60B 7/00; B60B 7/02; B60B 7/04; B60B 7/01; B60B 7/06; B60B 3/02; B60B 3/04; B60B 3/06; B60B 3/10; B60B 1/00; B60B 1/08; B60B 1/10; B60B 1/12
See application file for complete search history.

(56) **References Cited**

U.S. PATENT DOCUMENTS

D576,095 S * 9/2008 Chung D12/211
D592,578 S * 5/2009 Chung D12/209

D593,021 S * 5/2009 Chung D12/211
D596,099 S * 7/2009 Chung D12/209
D620,425 S * 7/2010 Zhao D12/211
D637,947 S * 5/2011 Zhao D12/211
D655,231 S * 3/2012 Zhao D12/209
D656,445 S * 3/2012 Lee D12/209
D657,297 S * 4/2012 Johnson D12/211
D659,066 S * 5/2012 Johnson D12/209
D668,198 S * 10/2012 Platto D12/211
D680,939 S * 4/2013 Zhao D12/211
D682,769 S * 5/2013 Zhao D12/211
D695,671 S * 12/2013 Chung D12/211
D765,573 S * 9/2016 Johnson D12/211

* cited by examiner

Primary Examiner — Stacia Cadmus

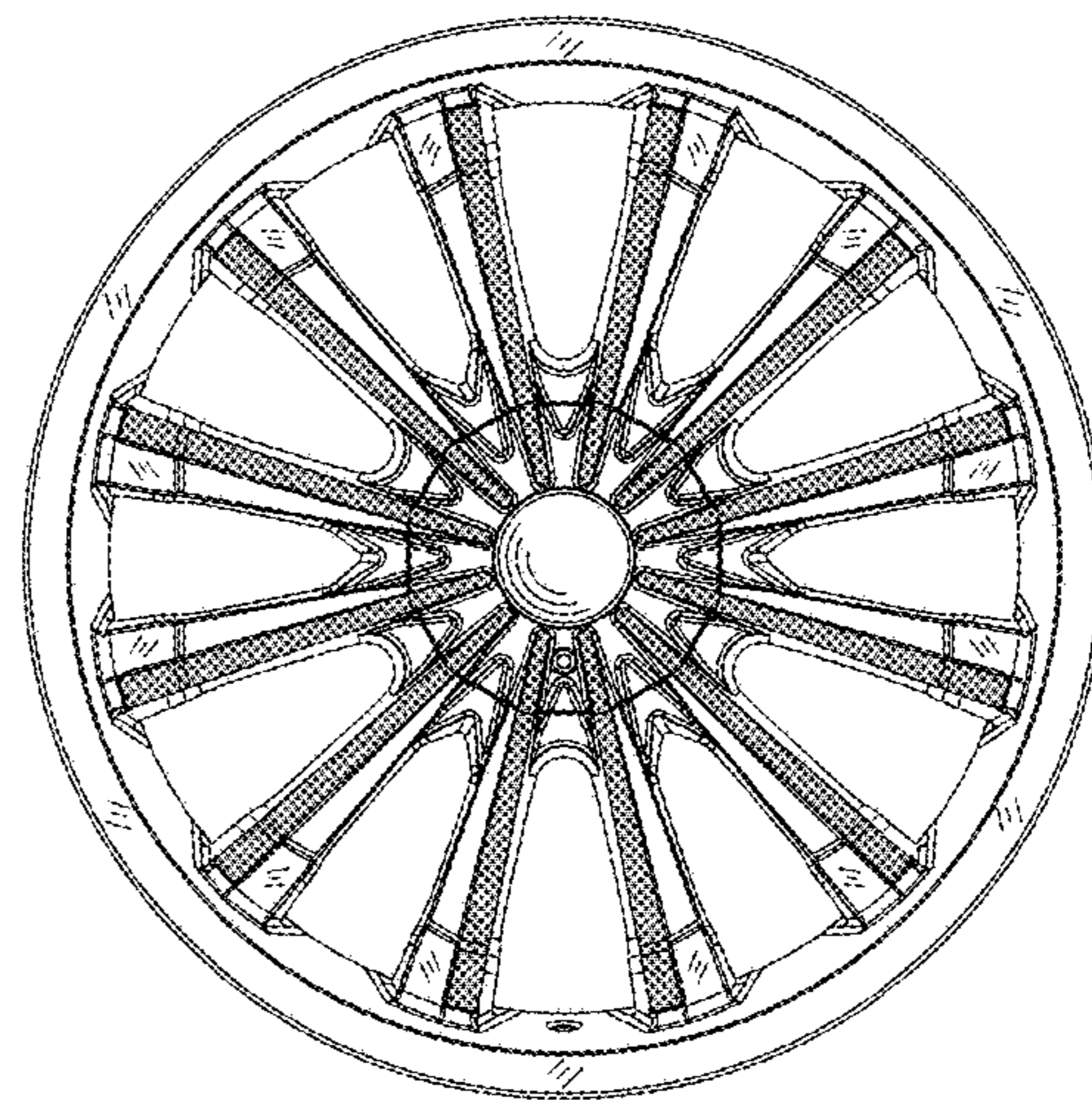
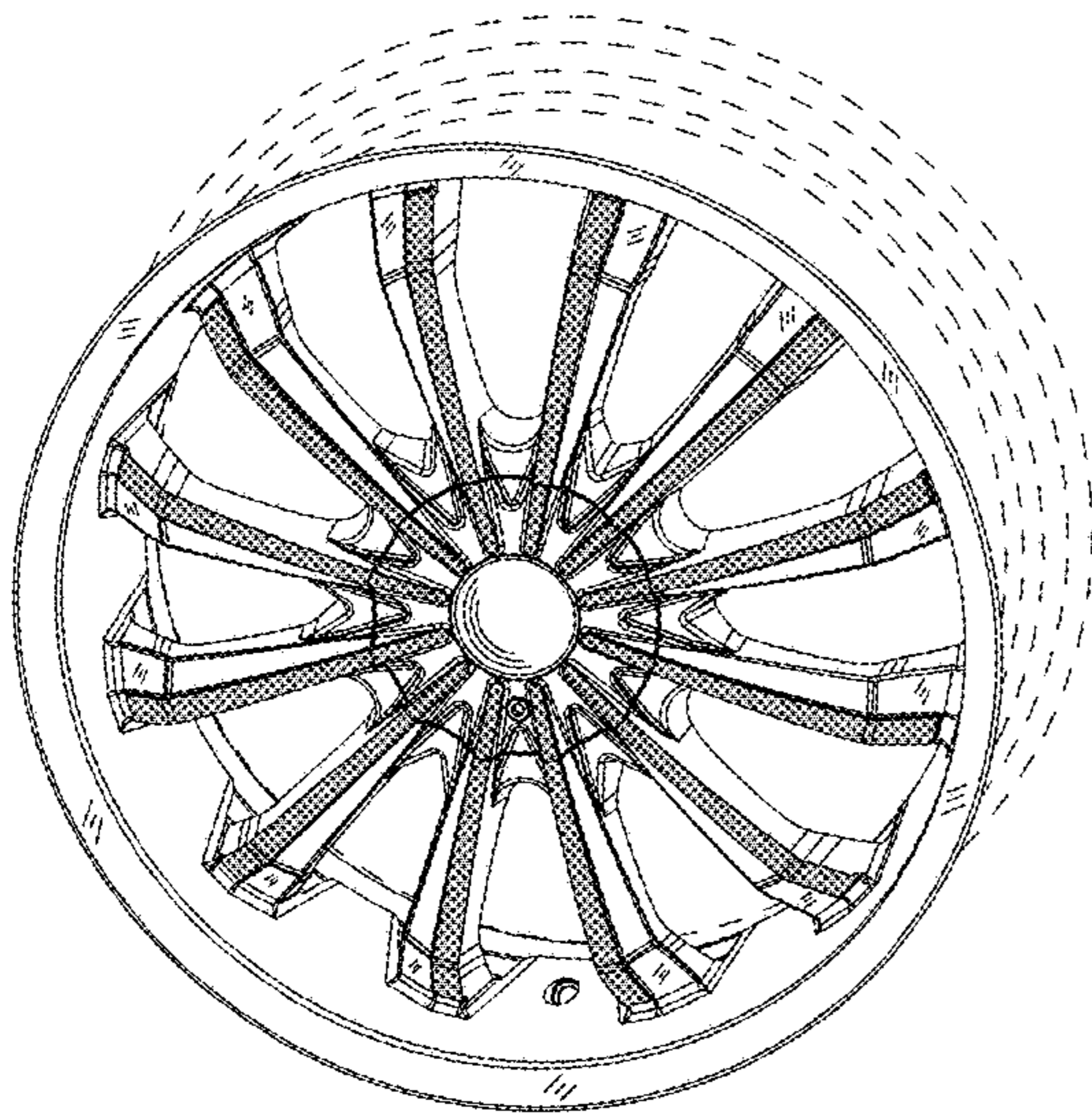
(57) **CLAIM**

The ornamental design for an automotive wheel, as show and described.

DESCRIPTION

FIG. 1 is a perspective view of an automotive wheel showing my new design; and, FIG. 2 is a front elevational view thereof. The broken line showing of the rear portion of the rim is included for the purpose of illustrating environment and forms no part of the claimed design.

1 Claim, 2 Drawing Sheets



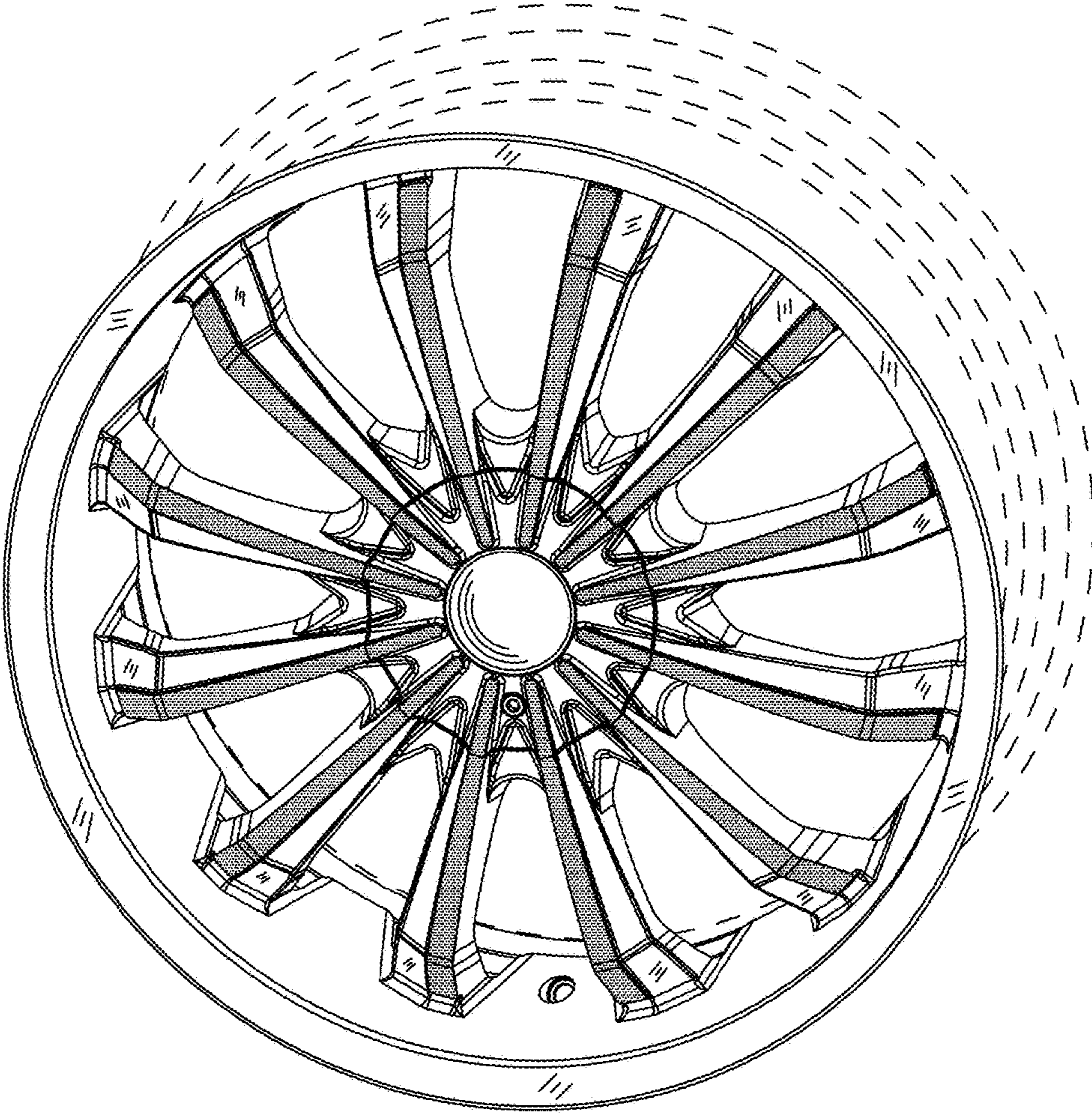


FIG.1

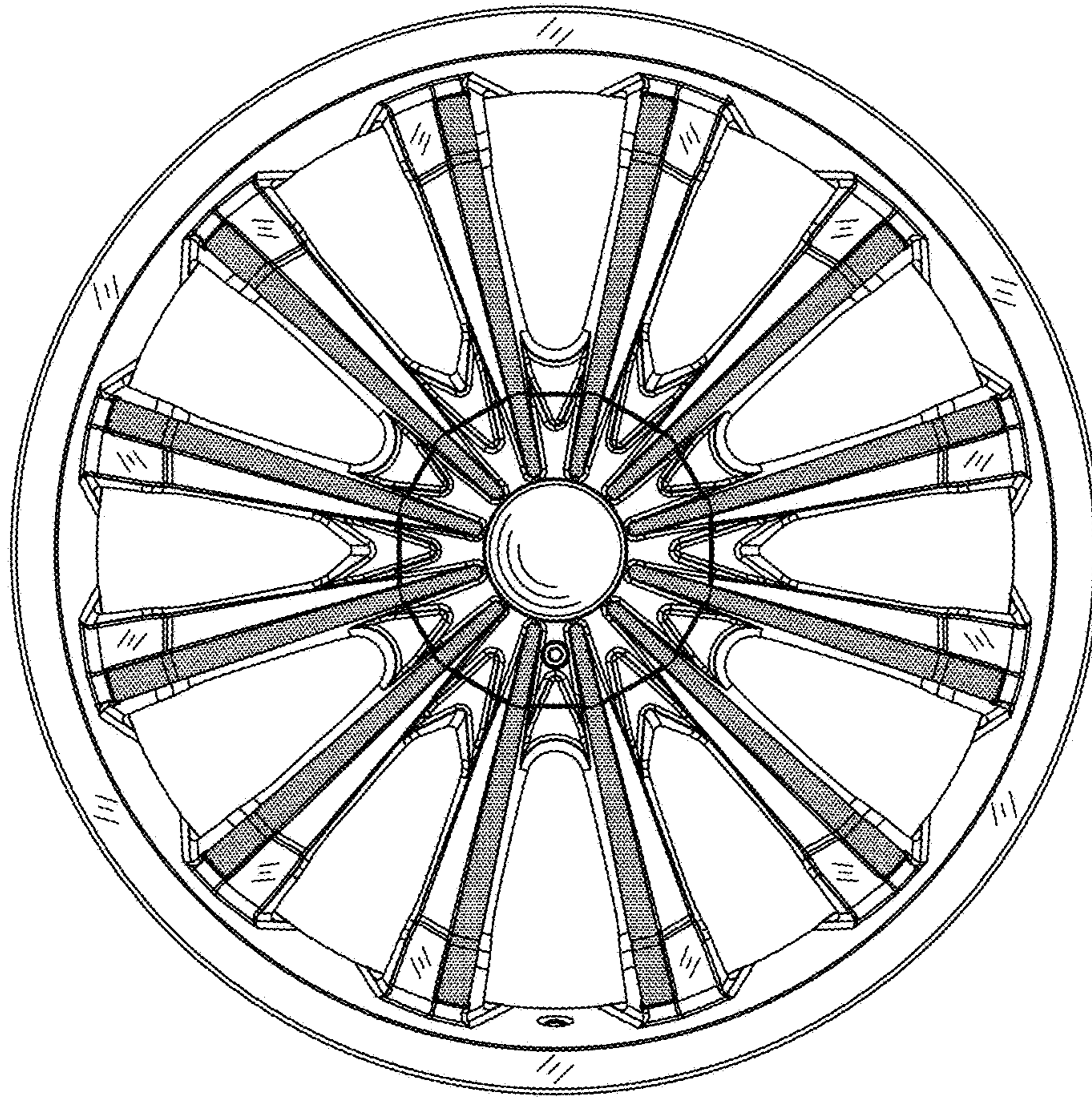


FIG.2