



US00D794523S

(12) **United States Design Patent** (10) **Patent No.:** **US D794,523 S**  
**Pepin et al.** (45) **Date of Patent:** **\*\* Aug. 15, 2017**

(54) **VEHICLE PARTITION**

(71) Applicants: **Alain Pepin**, Quebec (CA); **Ilko Paunov**, Quebec (CA)

(72) Inventors: **Alain Pepin**, Quebec (CA); **Ilko Paunov**, Quebec (CA)

(73) Assignee: **Ranger Design**, Quebec (CA)

(\*\*) Term: **14 Years**

(21) Appl. No.: **29/525,665**

(22) Filed: **May 1, 2015**

(51) **LOC (10) Cl.** ..... **12-08**

(52) **U.S. Cl.**  
USPC ..... **D12/195**

(58) **Field of Classification Search**  
USPC ..... D12/195, 196  
CPC ..... B60R 21/12; B60R 7/14; B60R 21/026;  
H01M 2/0275

See application file for complete search history.

(56) **References Cited**

**U.S. PATENT DOCUMENTS**

D66,833	S *	3/1925	Bourgon	.....	D12/195
D215,051	S *	8/1969	Feth	.....	D12/195
4,173,369	A *	11/1979	Roggin	.....	B60R 21/12 296/24.46
D253,765	S *	12/1979	Roggin	.....	D12/195
4,621,856	A *	11/1986	McKenzie	.....	B60R 21/026 280/749
6,474,713	B1 *	11/2002	Ruck	.....	B60R 21/026 280/748
8,091,939	B2 *	1/2012	Forsyth	.....	B60R 21/12 280/749
D699,656	S *	2/2014	Watabe	.....	D12/196
2003/0090118	A1 *	5/2003	Murray	.....	B60R 7/14 296/24.4
2010/0237646	A1 *	9/2010	Forsyth	.....	B60R 21/12 296/24.46
2013/0113232	A1 *	5/2013	Sage	.....	B60R 21/12 296/24.46

(Continued)

**OTHER PUBLICATIONS**

Exhibitor Details | Ranger Design Inc. | NTEA, posted at wts15.mapyourshow.com, archive date Feb. 2015, © NTEA, [online], [site visited Oct. 25, 2016]. Available from Internet, <URL: https://web.archive.org/web/20150227000525/http://wts15.mapyourshow.com/5\_0/exhibitor\_details.cfm?exhid=152818>.\*

(Continued)

*Primary Examiner* — Caron D Veynar

*Assistant Examiner* — Laura Yu

(74) *Attorney, Agent, or Firm* — William H. Honaker; Dickinson Wright PLLC

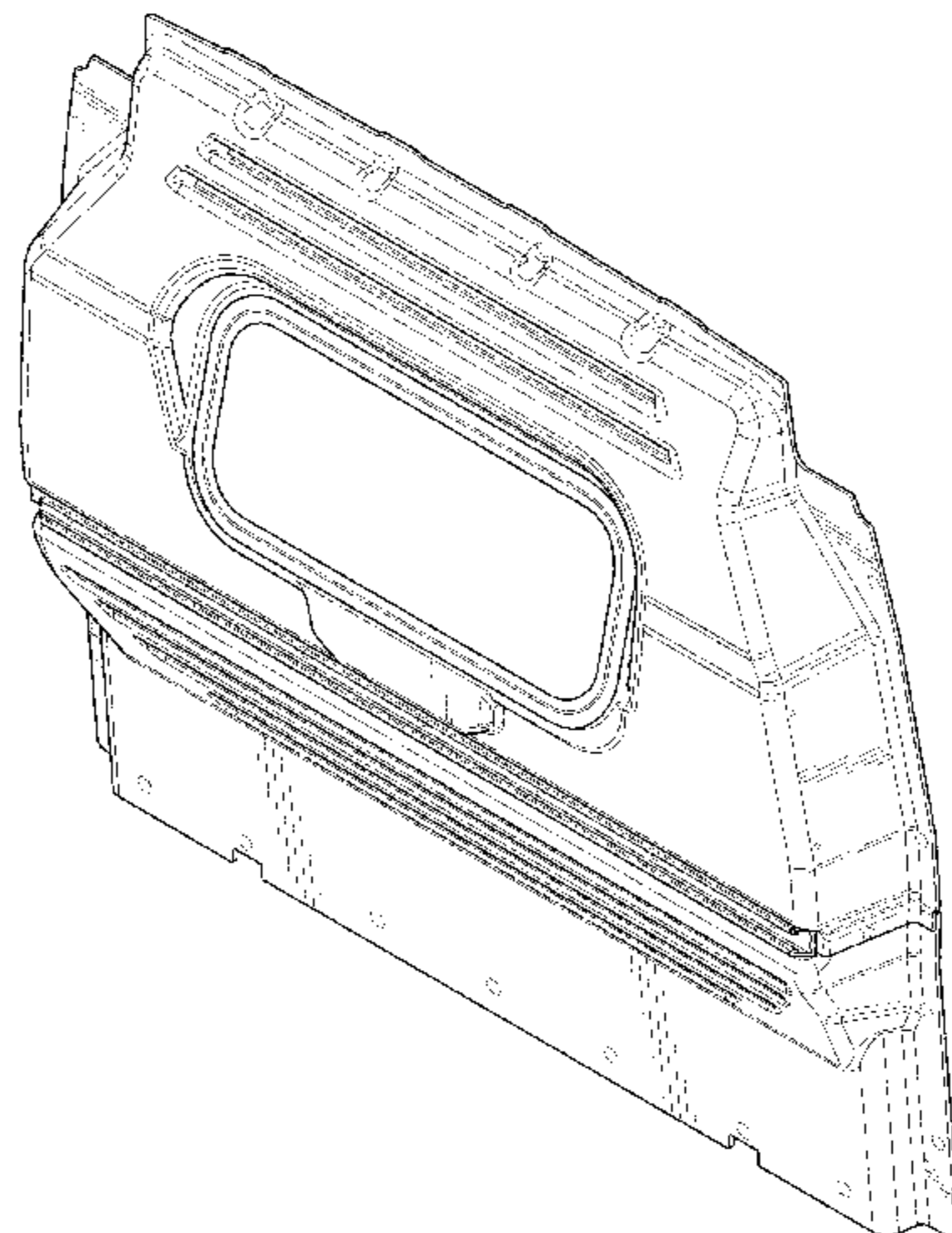
(57) **CLAIM**

The ornamental design for a vehicle partition, as shown and described.

**DESCRIPTION**

FIG. 1 is a perspective view of the vehicle partition of the present invention as viewed from the rear;  
FIG. 2 is a rear view of the vehicle partition of the present invention;  
FIG. 3 is a front view of the vehicle partition of the present invention;  
FIG. 4 is a left side of the vehicle partition of the present invention  
FIG. 5 is a right side view of the vehicle partition of the present invention  
FIG. 6 is a top view of the vehicle partition of the present invention; and,  
FIG. 7 is a bottom view of the vehicle partition of the present invention.  
The broken line showing is for the purpose of illustrating environmental subject matter and forms no part of the claimed design.

**1 Claim, 5 Drawing Sheets**



(56)

**References Cited**

U.S. PATENT DOCUMENTS

2014/0093768 A1\* 4/2014 Kim ..... H01M 2/0275  
429/152

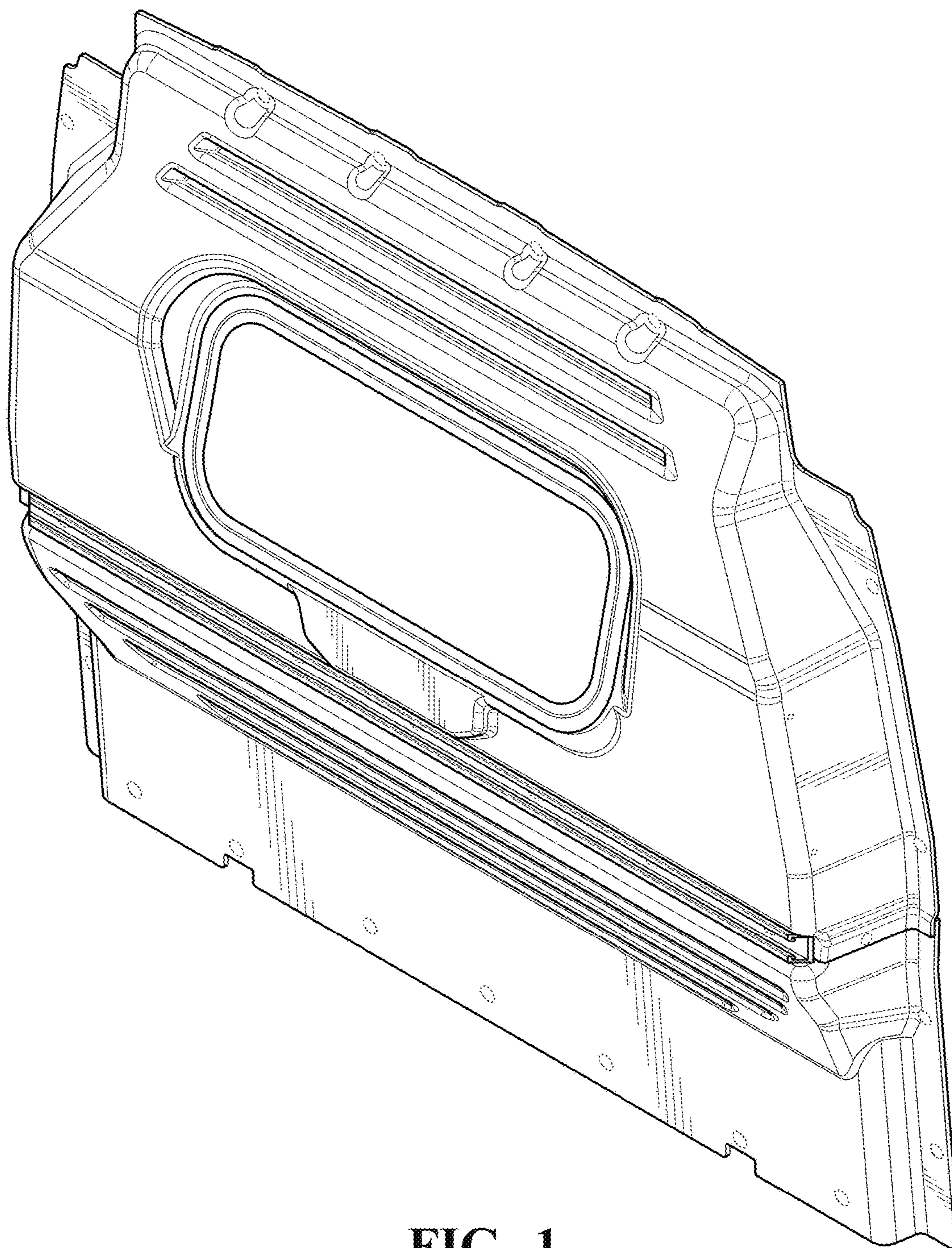
OTHER PUBLICATIONS

American Truck Equipment | Ranger Design Contoured safety partition| GoAmericanTruck.com, posting date not given, [online], [site visited Oct. 25, 2016]. Available from Internet, <URL: <https://goamericantruck.com/fr/promaster-city/5515-ranger-design-contoured-safety-partition-composite-ram-promaster-city.html>>.\*

Weather Guard| Window Bulkhead posted at Carid.com, posting date not given, © 2003-2016 CARiD.com, [online], [site visited Oct. 27, 2016]. Available from Internet, <URL: <https://www.carid.com/weather-guard/window-bulkhead-mpn-96514-3-01.html>>.\*

Contoured Van Safety Partition| Ranger Design, posted on Youtube.com, posting date Mar. 16, 2015, © 2005-2016 YouTube.com, [online], [site visited Oct. 27, 2016]. Available from Internet, <URL: [https://www.youtube.com/watch?v=QHcmQfN4b\\_1](https://www.youtube.com/watch?v=QHcmQfN4b_1)>.\*

\* cited by examiner



**FIG. 1**

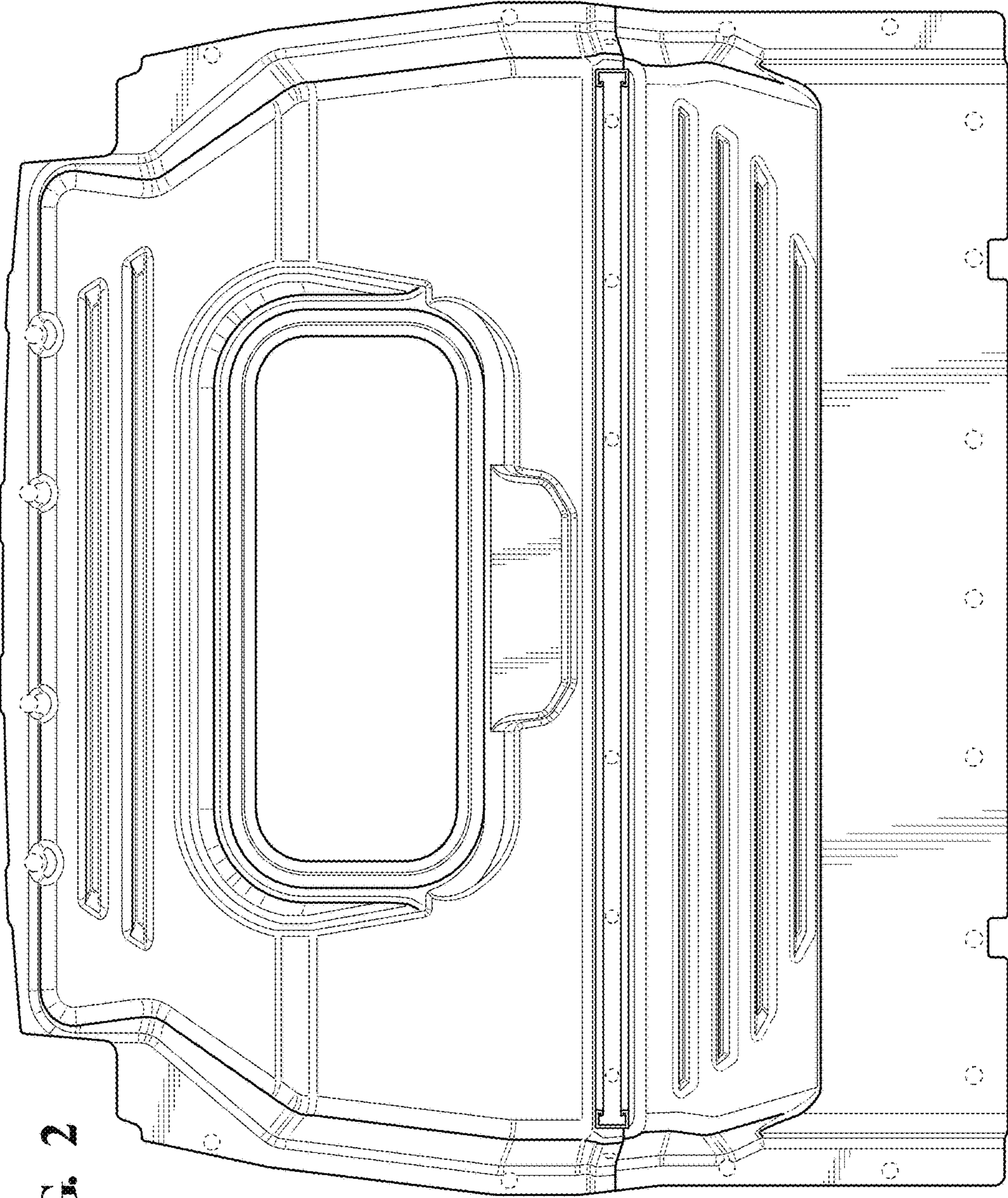


FIG. 2

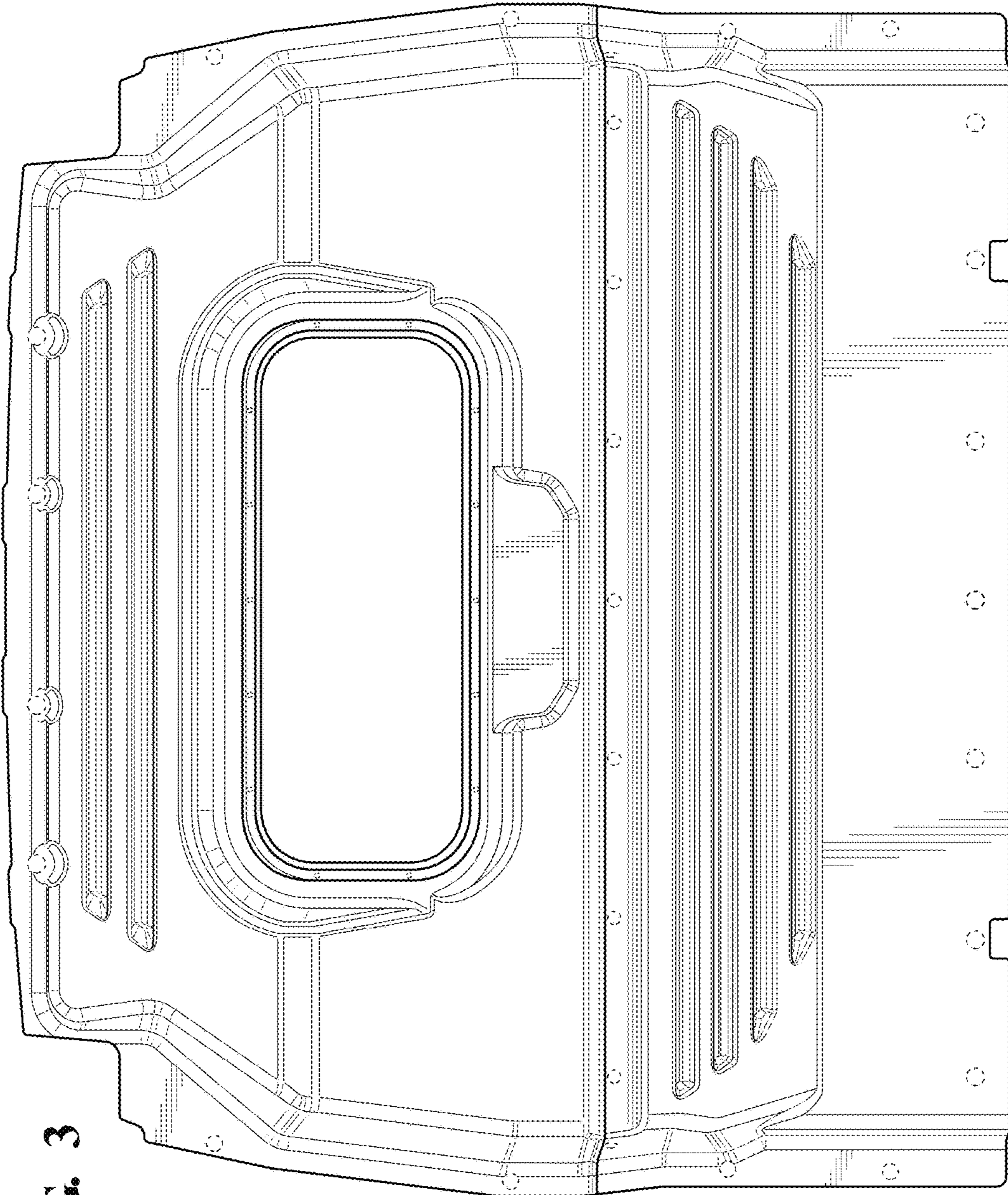


FIG. 3

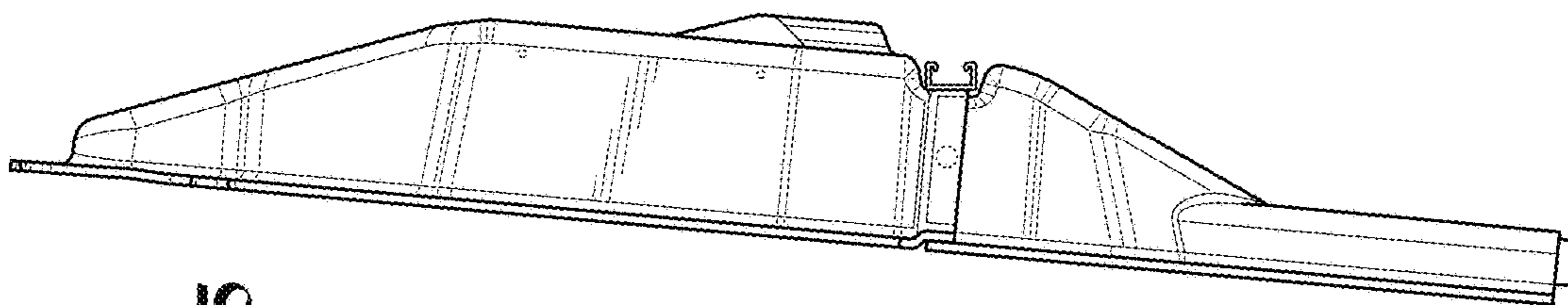


FIG. 5

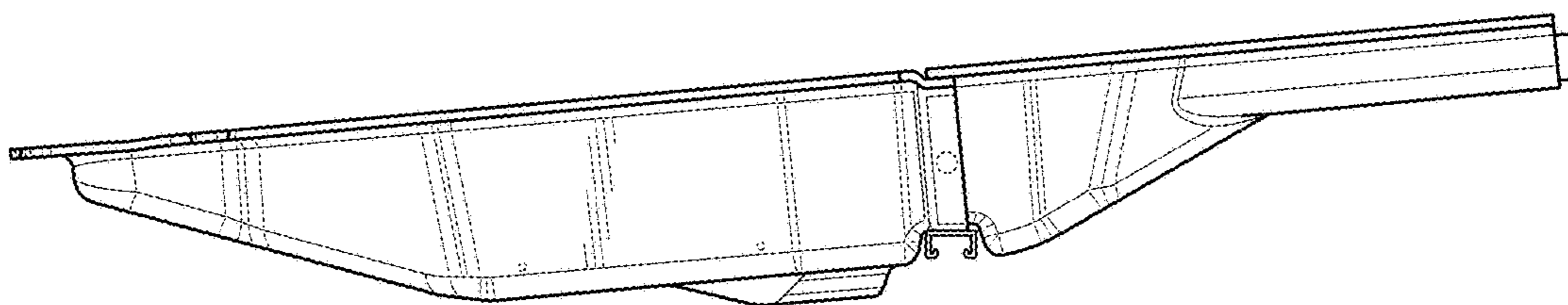
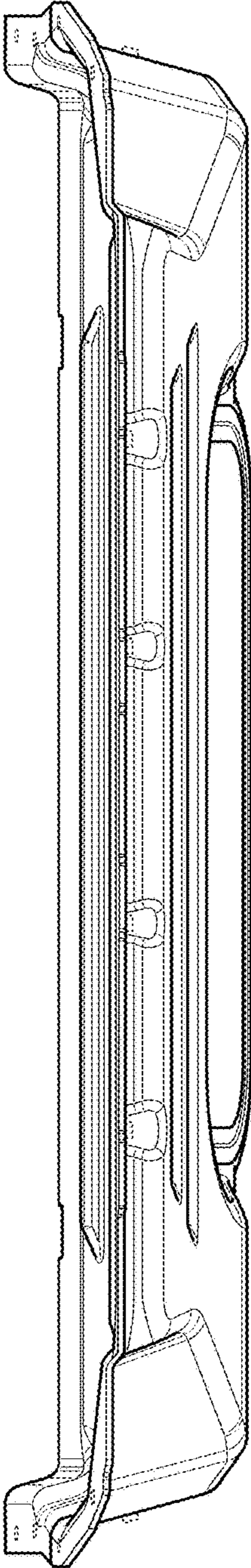
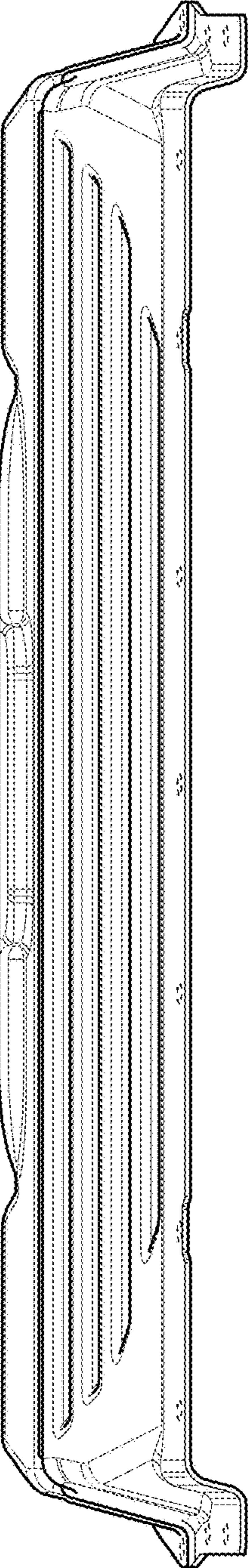


FIG. 4



**FIG. 6**



**FIG. 7**