



US00D794521S

(12) **United States Design Patent**
Tseng

(10) **Patent No.:** **US D794,521 S**

(45) **Date of Patent:** **** Aug. 15, 2017**

- (54) **VEHICLE EXTERIOR MIRROR**
- (71) Applicant: **Wen-Pin Tseng**, Changhua County (TW)
- (72) Inventor: **Wen-Pin Tseng**, Changhua County (TW)
- (73) Assignee: **Wen-Pin Tseng**, Changhua County (TW)

(**) Term: **15 Years**

(21) Appl. No.: **29/577,412**

(22) Filed: **Sep. 13, 2016**

(51) **LOC (10) Cl.** **12-16**

(52) **U.S. Cl.**
USPC **D12/187**

(58) **Field of Classification Search**
USPC D12/187, 188, 189; D6/300, 309
CPC B60R 1/076; B60R 1/074; B60R 1/078;
B60R 1/08; B60R 1/081; B60R 1/082;
G02B 7/182; G02B 7/18; G02B 5/08
See application file for complete search history.

(56) **References Cited**

U.S. PATENT DOCUMENTS

D575,708 S *	8/2008	Courbon	D12/187
D661,635 S *	6/2012	Svensson	D12/187
D688,176 S *	8/2013	Campbell	D12/187
D690,635 S *	10/2013	Hovind	D12/187

D731,374 S *	6/2015	Roberts	D12/187
D731,375 S *	6/2015	Roberts	D12/187
D731,377 S *	6/2015	Roberts	D12/187
D731,378 S *	6/2015	Roberts	D12/187
D745,839 S *	12/2015	Whittaker	D12/187
D748,546 S *	2/2016	Whitehead	D12/187
2007/0211356 A1 *	9/2007	Brester	B60R 1/076 359/872
2008/0100939 A1 *	5/2008	Brester	B60R 1/0605 359/872
2014/0146407 A1 *	5/2014	Tseng	G02B 7/182 359/841

* cited by examiner

Primary Examiner — Karen S Acker

Assistant Examiner — Jerry Hsu

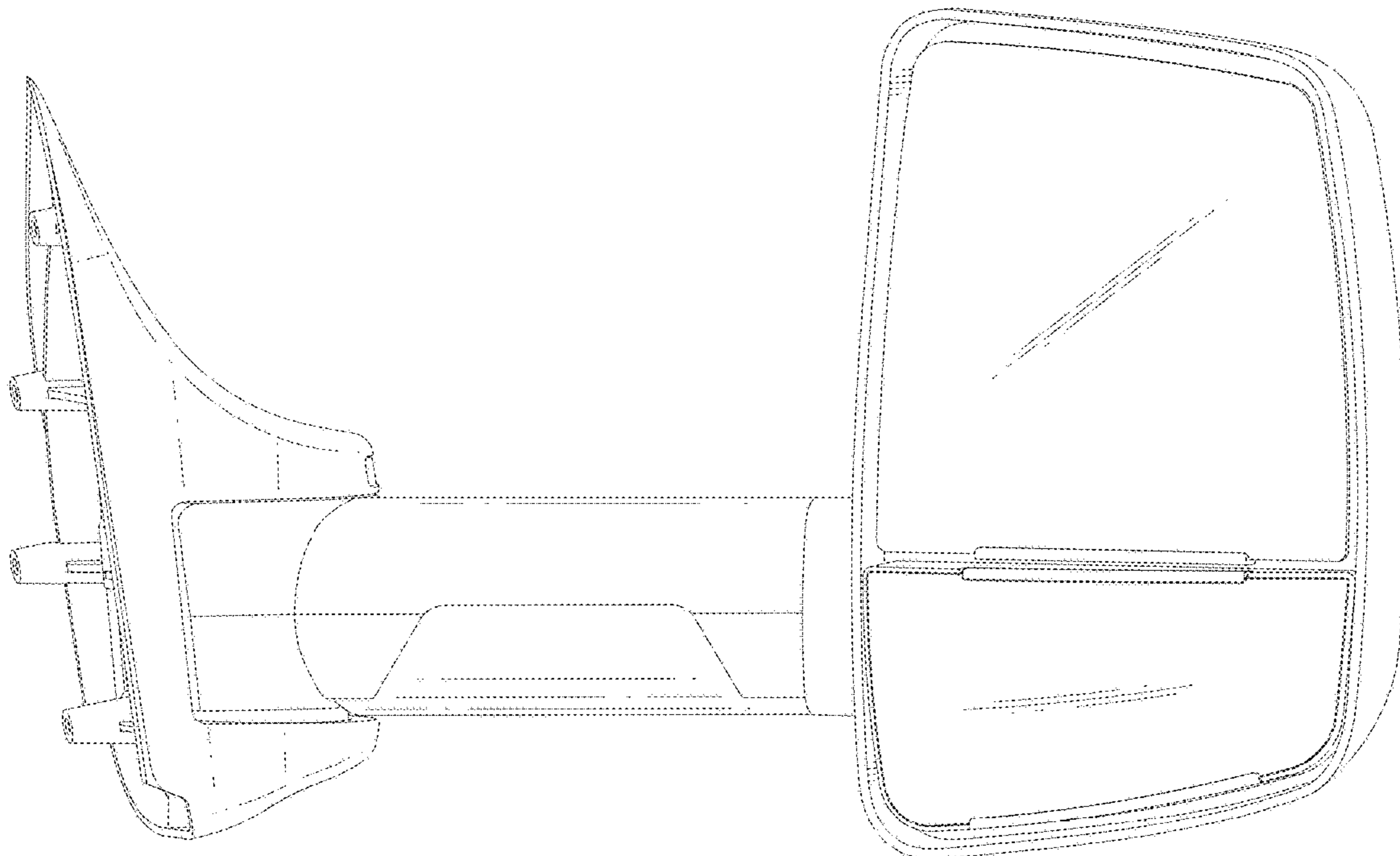
(57) **CLAIM**

The ornamental design for a vehicle exterior mirror, as shown and described.

DESCRIPTION

FIG. 1 is a front elevation view of a vehicle exterior mirror, showing my new design;
FIG. 2 is a rear elevation view thereof;
FIG. 3 is a left side elevation view thereof;
FIG. 4 is a right side elevation view thereof;
FIG. 5 is a top plan view thereof;
FIG. 6 is a bottom plan view thereof; and,
FIG. 7 is a perspective view thereof.

1 Claim, 7 Drawing Sheets



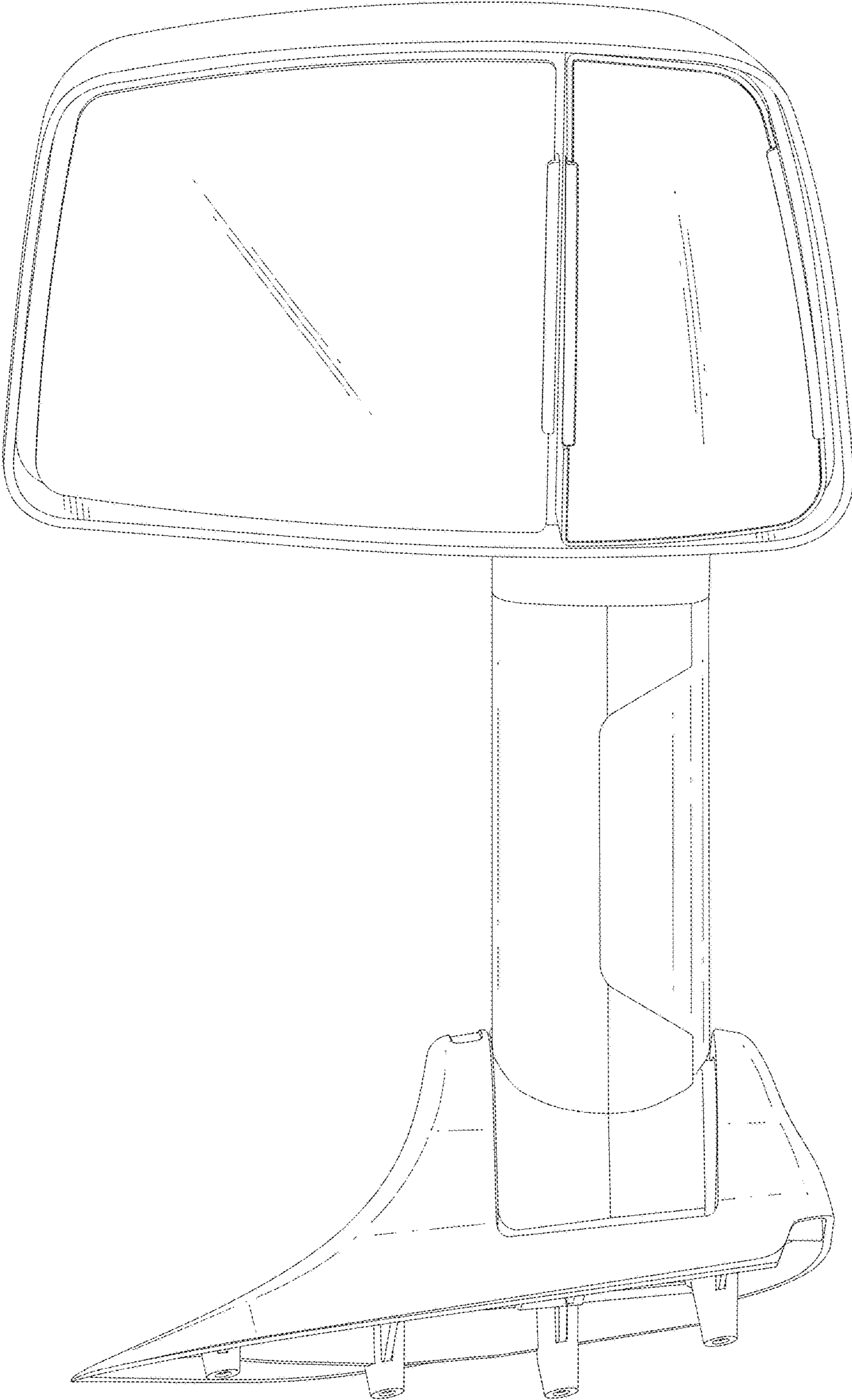


FIG. 1

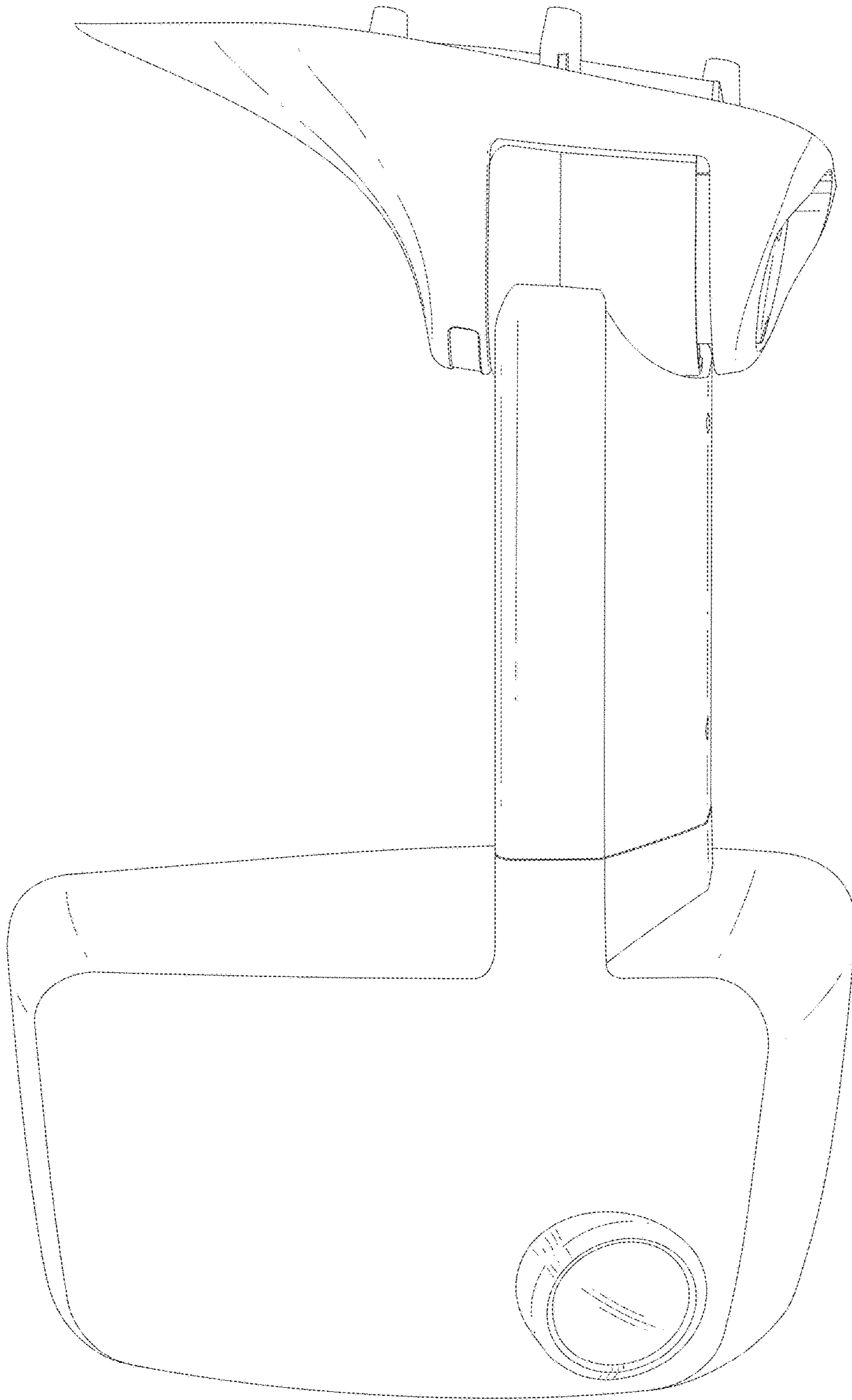


FIG. 2

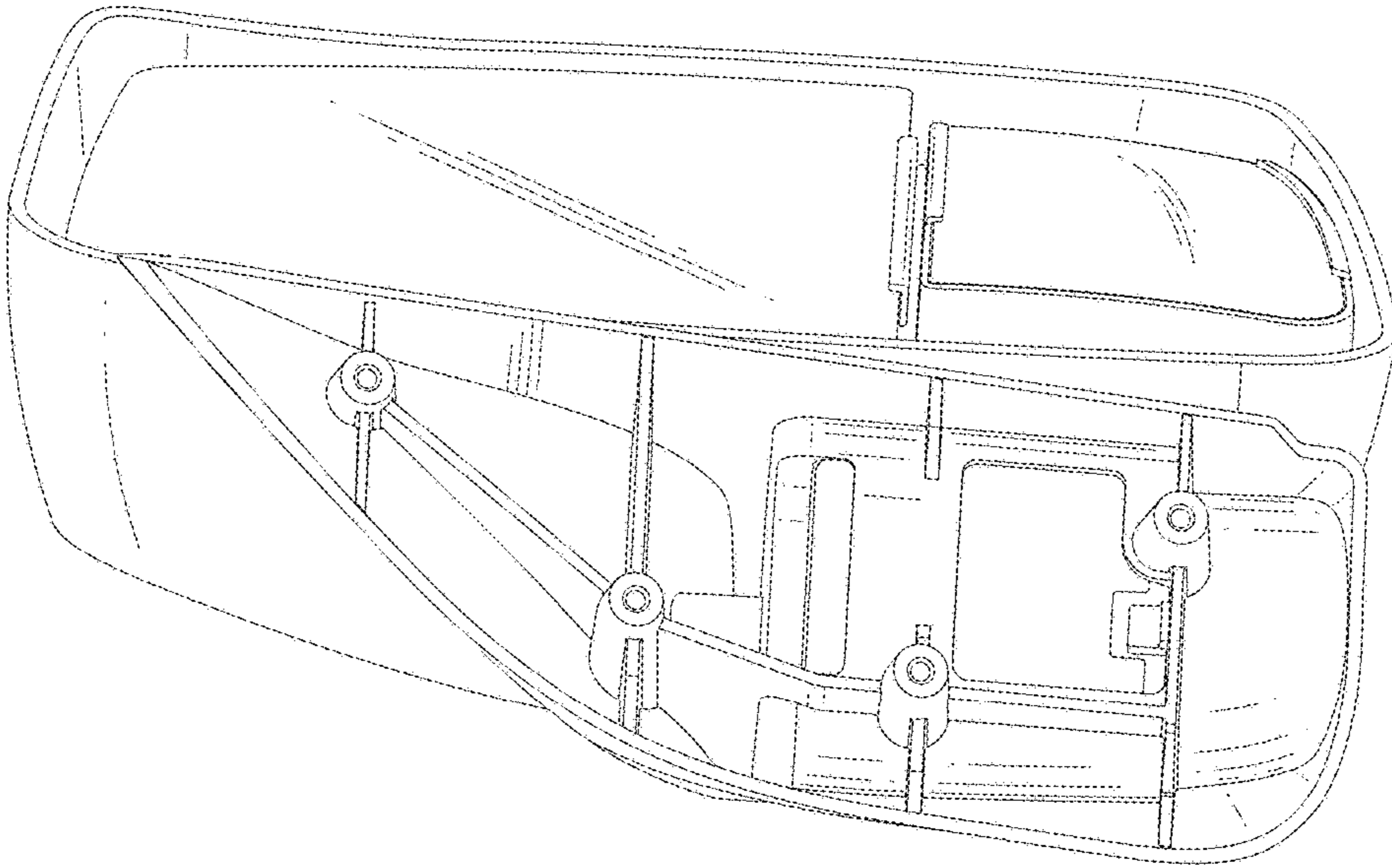


FIG. 3

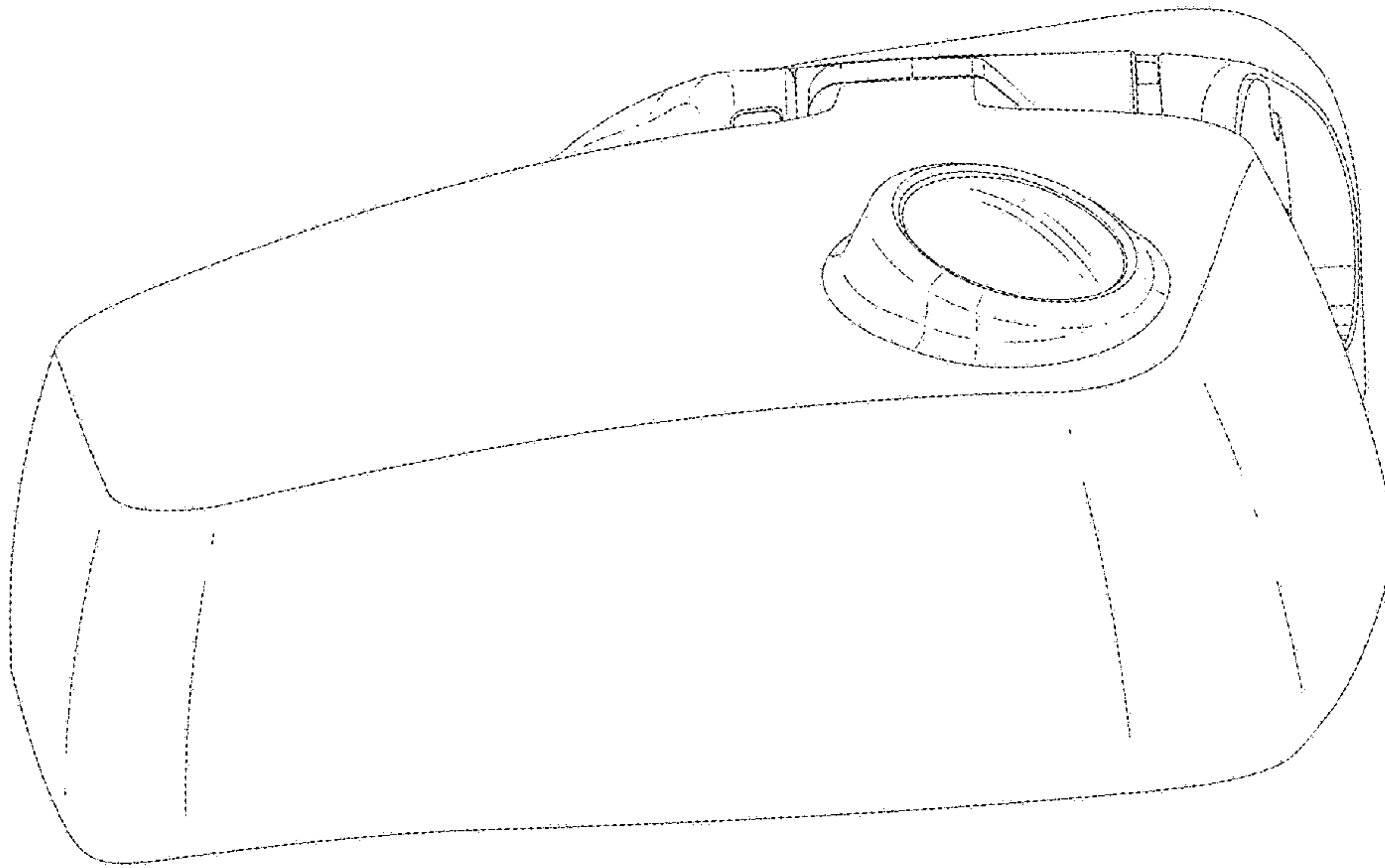


FIG. 4

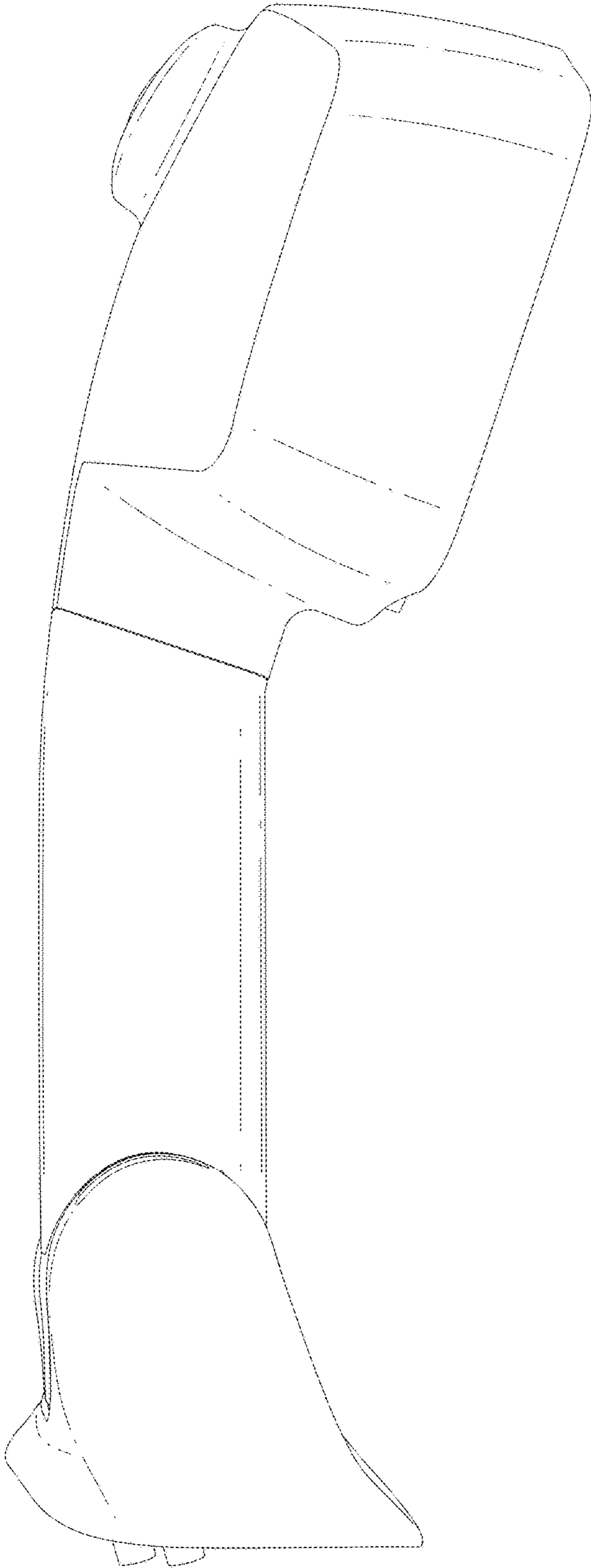


FIG. 5

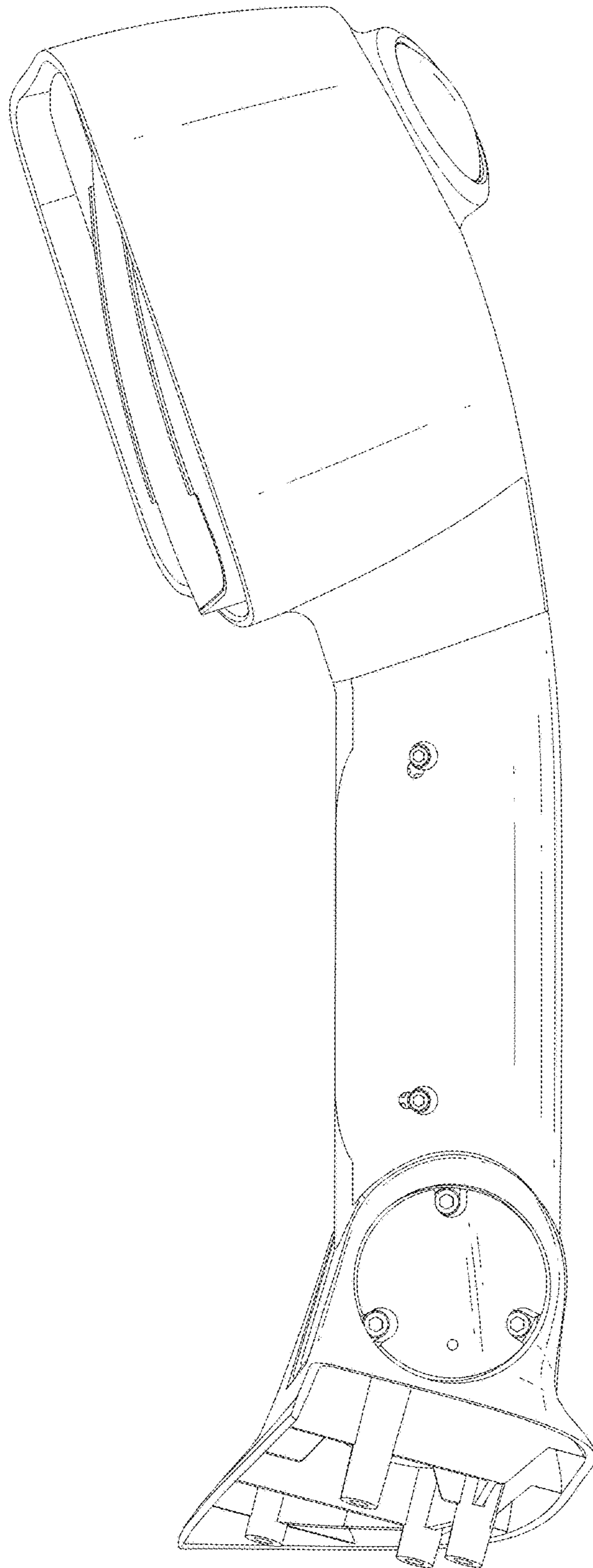


FIG. 6

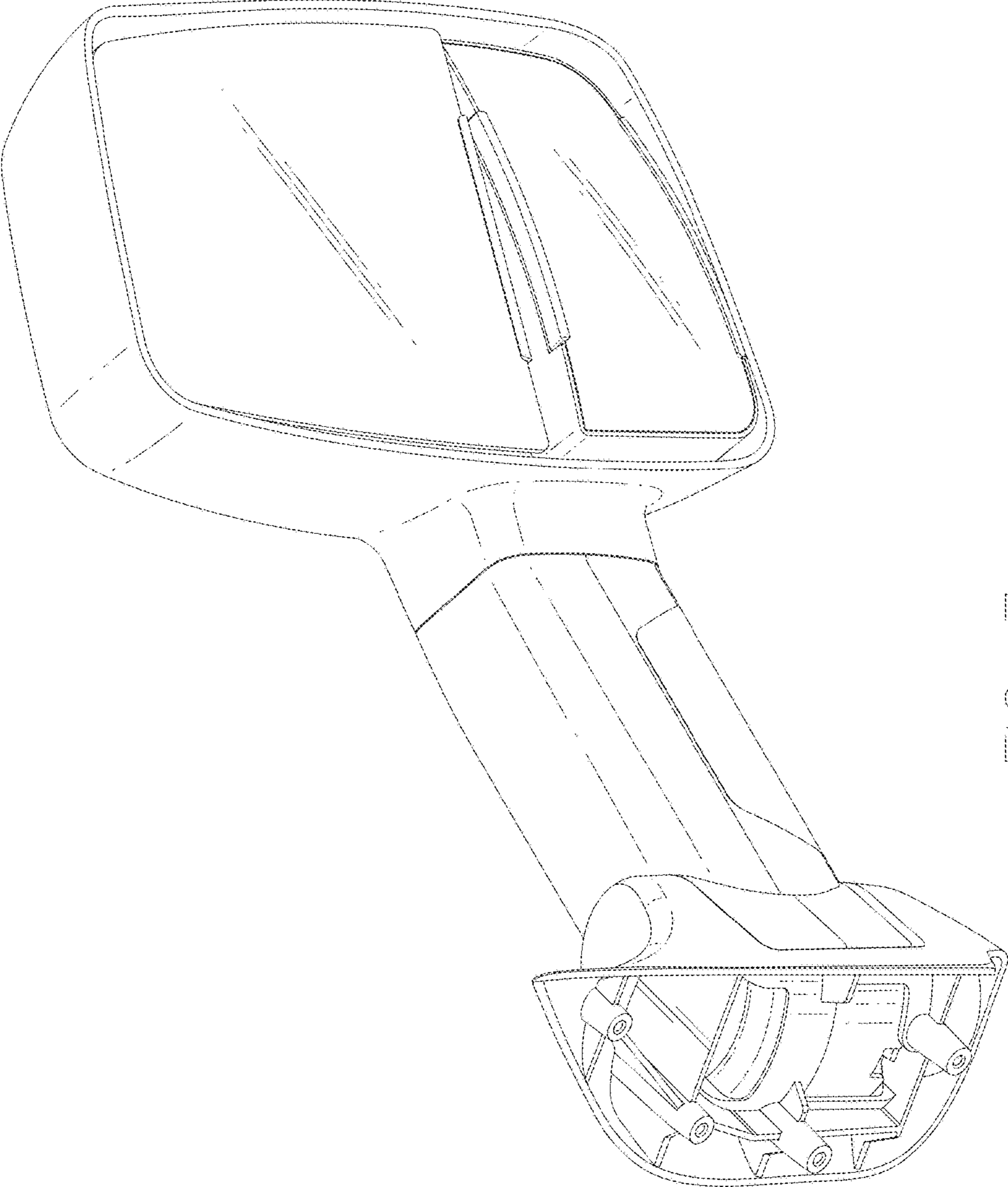


FIG. 7