



US00D794517S

(12) **United States Design Patent** (10) **Patent No.:** **US D794,517 S**
Woolley (45) **Date of Patent:** **** Aug. 15, 2017**

(54) **AUTOMOBILE FRONT GRILLE**
(71) Applicant: **Jaguar Land Rover Limited**, Whitley, Coventry (GB)
(72) Inventor: **Richard Woolley**, Coventry (GB)
(73) Assignee: **Jaguar Land Rover Limited**, Whitley, Coventry (GB)
(**) Term: **15 Years**
(21) Appl. No.: **29/556,178**
(22) Filed: **Feb. 29, 2016**

(30) **Foreign Application Priority Data**
Sep. 4, 2015 (EM) 002766642
Sep. 4, 2015 (EM) 002766659
(51) **LOC (10) Cl.** **12-16**
(52) **U.S. Cl.**
USPC **D12/163**
(58) **Field of Classification Search**
USPC D12/86, 90, 91, 92, 163, 169, 196, 171, D12/216

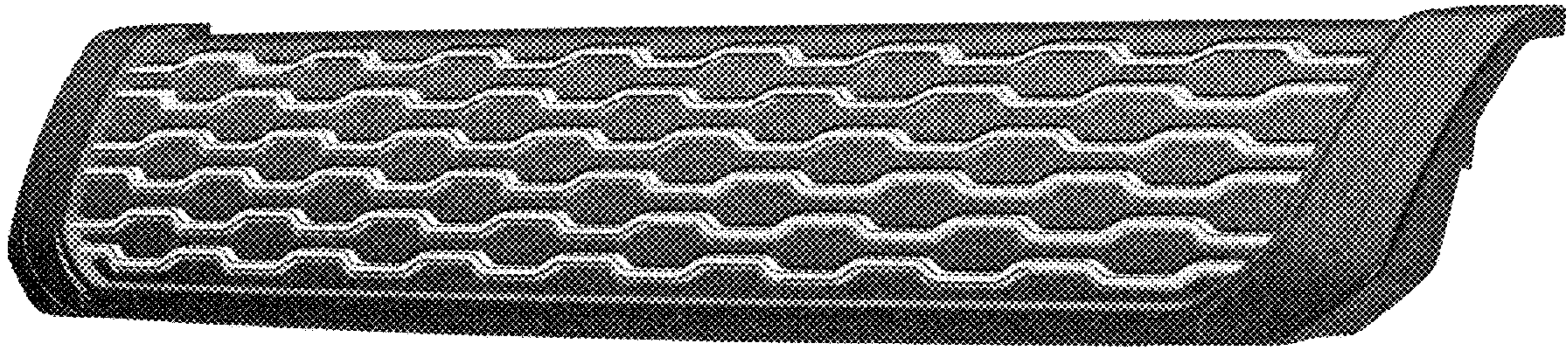
(Continued)
(56) **References Cited**
U.S. PATENT DOCUMENTS
D293,230 S * 12/1987 Kawaoka D12/163
5,487,575 A * 1/1996 Chase B60K 11/08
180/68.6

(Continued)
Primary Examiner — Darlington Ly
(74) *Attorney, Agent, or Firm* — Wood Herron & Evans LLP

(57) **CLAIM**
The ornamental design for an automobile front grille, as shown and described.

DESCRIPTION
FIG. 1 is a front and right side perspective view of an automobile front grille showing my new design; FIG. 2 is a rear and left side perspective view thereof; FIG. 3 is a front elevation view thereof; FIG. 4 is a rear elevation view thereof; FIG. 5 is a left side elevation view thereof; FIG. 6 is a right side elevation view thereof; and FIG. 7 is a top plan view thereof.
FIG. 8 is a front elevation view of the automobile front grille in FIGS. 1-7 showing only the lowermost LED bar in an illuminated state;
FIG. 9 is a front elevation view of the automobile front grille in FIGS. 1-7 showing the two lowermost LED bars in an illuminated state;
FIG. 10 is a front elevation view of the automobile front grille in FIGS. 1-7 showing the three lowermost LED bars in an illuminated state;
FIG. 11 is a front elevation view of the automobile front grille in FIGS. 1-7 showing the four lowermost LED bars in an illuminated state;
FIG. 12 is a front elevation view of the automobile front grille in FIGS. 1-7 showing the five lowermost LED bars in an illuminated state;
FIG. 13 is a front elevation view of the automobile front grille in FIGS. 1-7 showing the six lowermost LED bars in an illuminated state; and,
FIG. 14 is a front elevation view of the automobile front grille in FIGS. 1-7 as if it were installed in an environmental automobile.
FIGS. 8-13 show alternate modes in which one or more LED bars are illuminated.
In FIG. 14, the features of the automobile front grille shown within the broken line periphery illustrates the claimed design. The portions of the automobile shown outside the broken line periphery and de-emphasized in a low tonal contrast are provided for the purpose of illustrating environmental structure and form no part of the claimed design.

1 Claim, 8 Drawing Sheets



(58) **Field of Classification Search**

CPC . B60R 19/52; B60R 2019/525; B60K 11/085;
B62D 25/084; H01Q 1/32

See application file for complete search history.

(56) **References Cited**

U.S. PATENT DOCUMENTS

6,328,358	B1 *	12/2001	Berweiler	B60R 19/52 180/68.6
D491,117	S *	6/2004	Hayashi	D12/163
D539,194	S *	3/2007	Moses	D12/163
D551,145	S *	9/2007	Canitano	D12/196
D610,495	S *	2/2010	Bucher	D12/163
D630,138	S *	1/2011	Bucher	D12/163
D696,985	S *	1/2014	Henstridge	D12/163
D711,293	S *	8/2014	Waterman	D12/163
D753,028	S *	4/2016	Frascella	D12/163
D777,614	S *	1/2017	Wheel	D12/163
2004/0178664	A1 *	9/2004	Hyuga	B62D 29/043 296/193.1

* cited by examiner

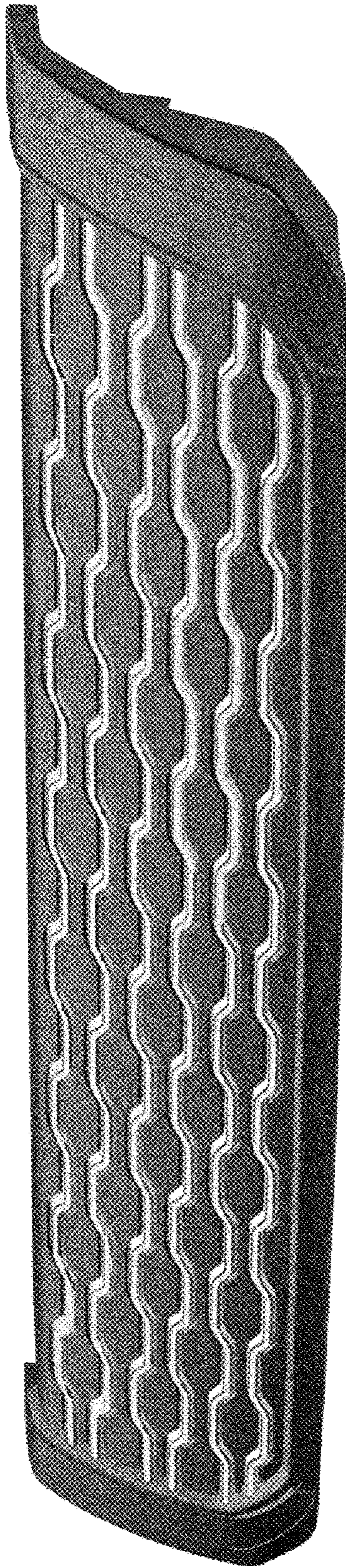


FIG. 1

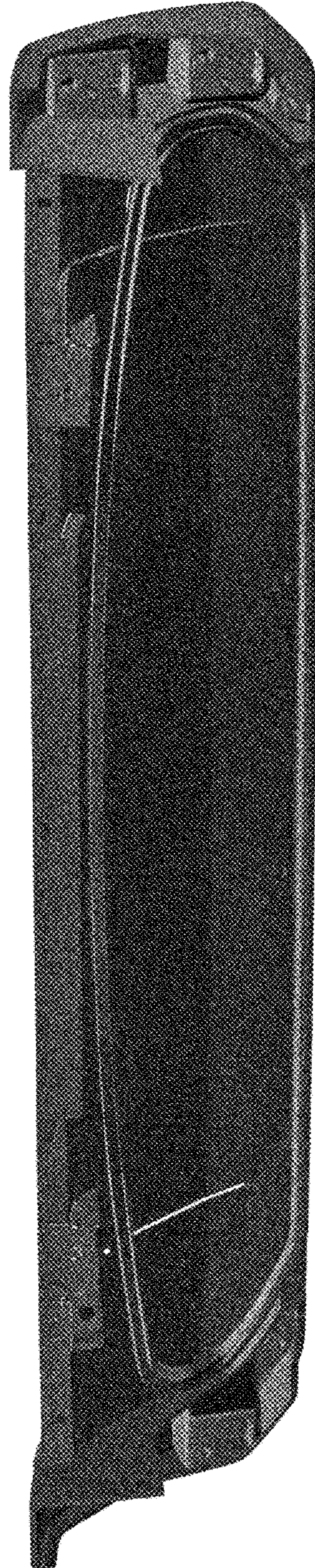


FIG. 2

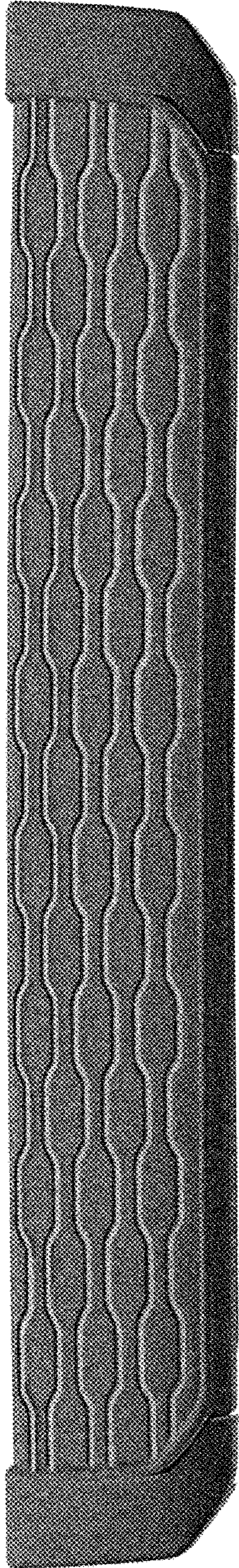


FIG. 3

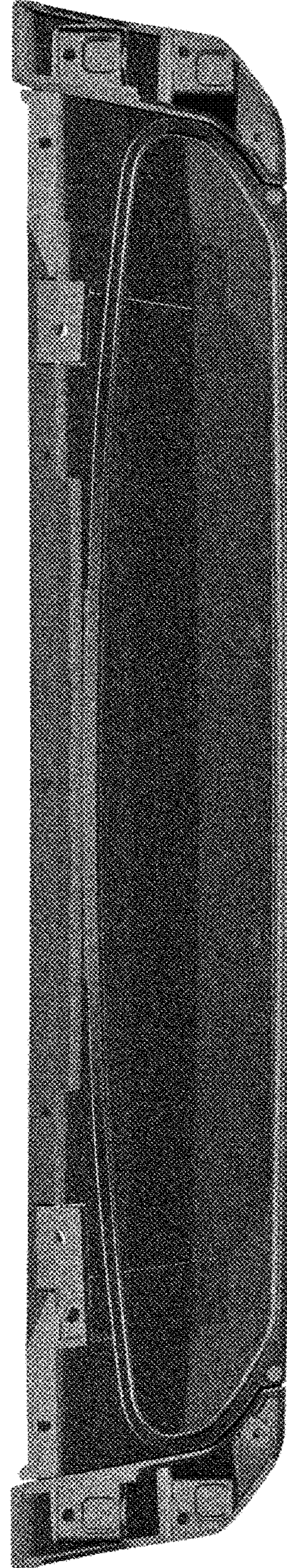


FIG. 4

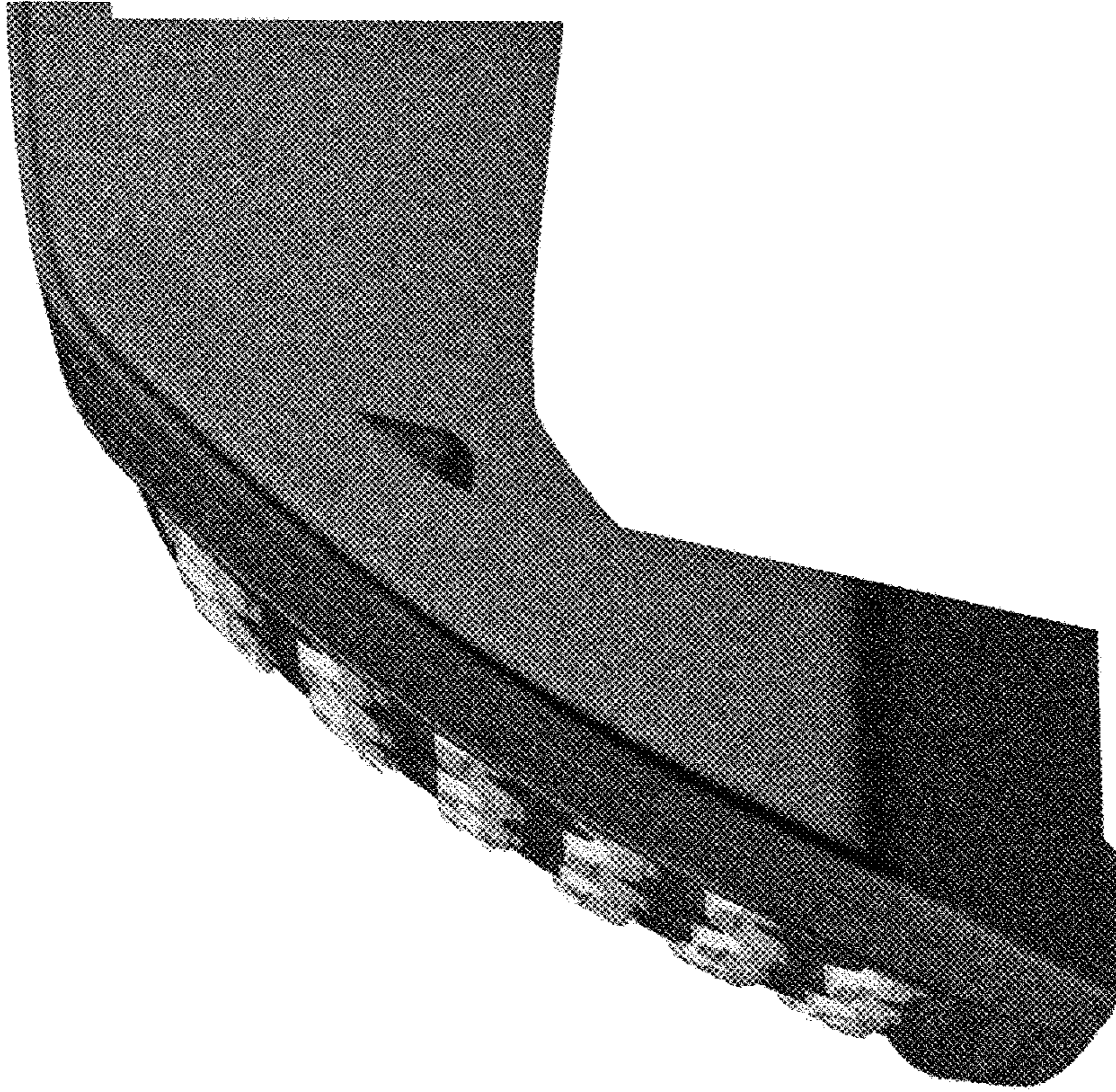


FIG. 6

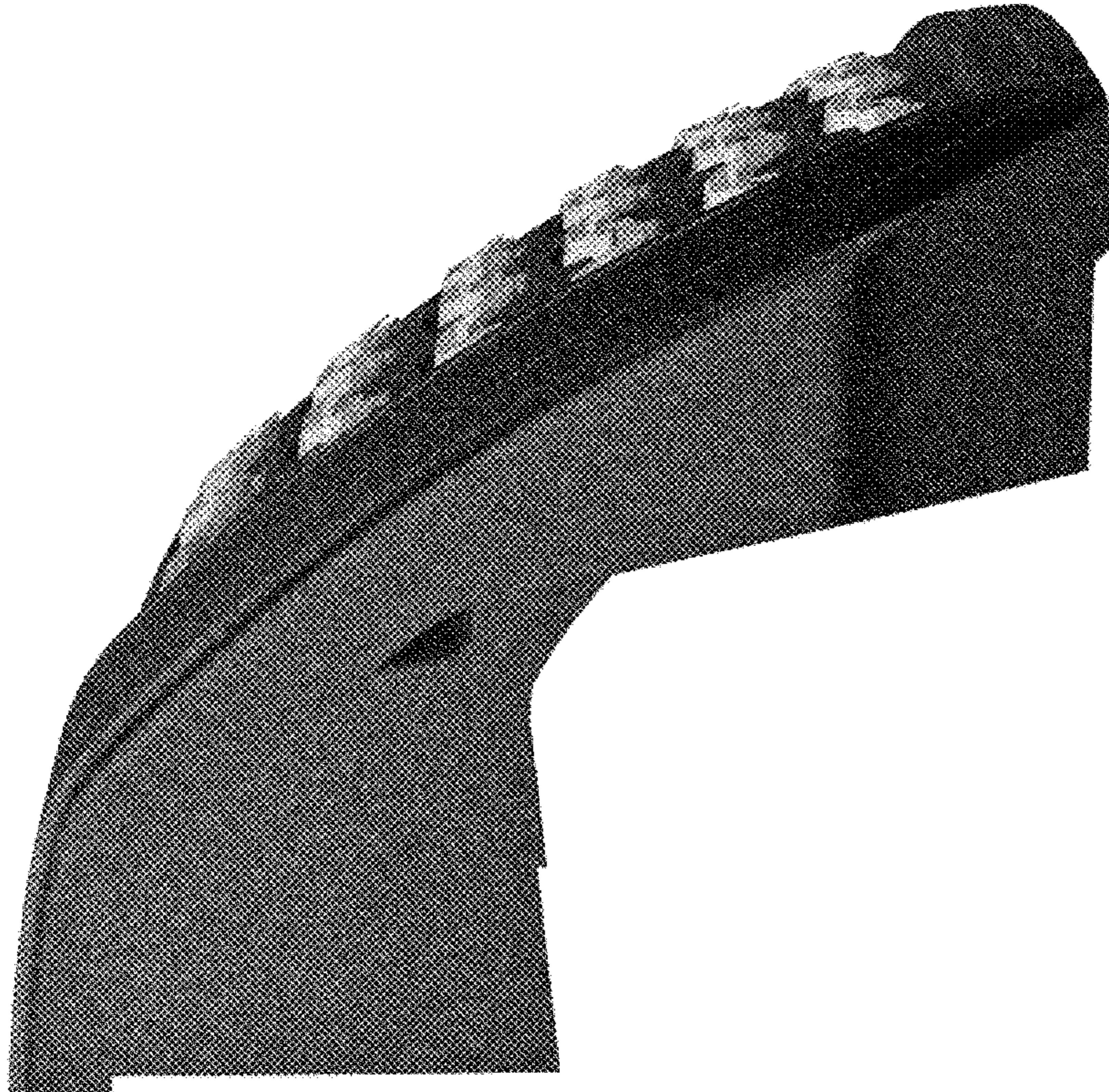


FIG. 5

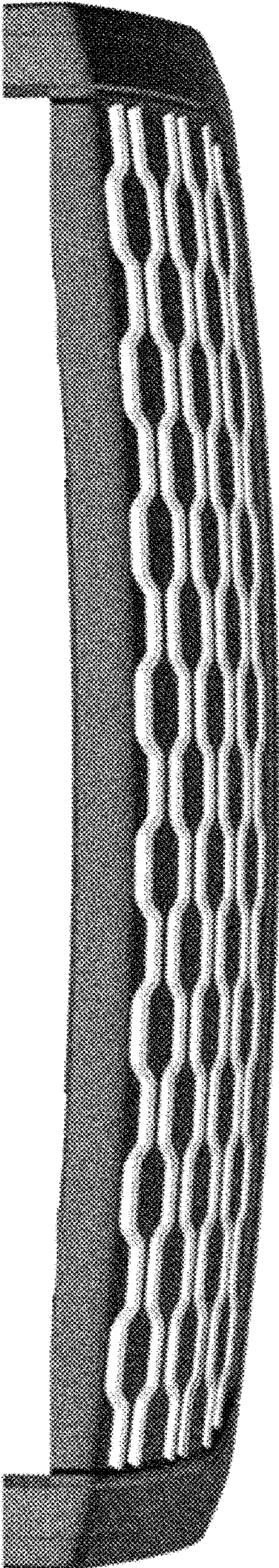


FIG. 7

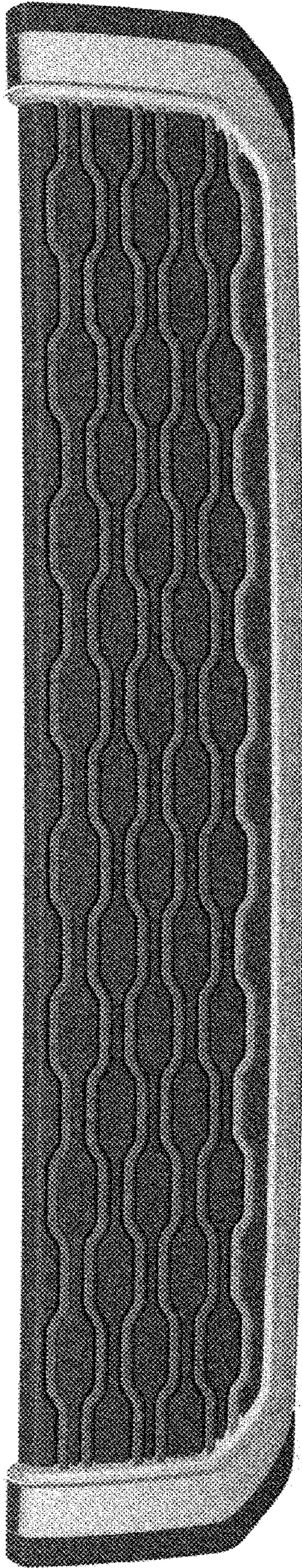


FIG. 8

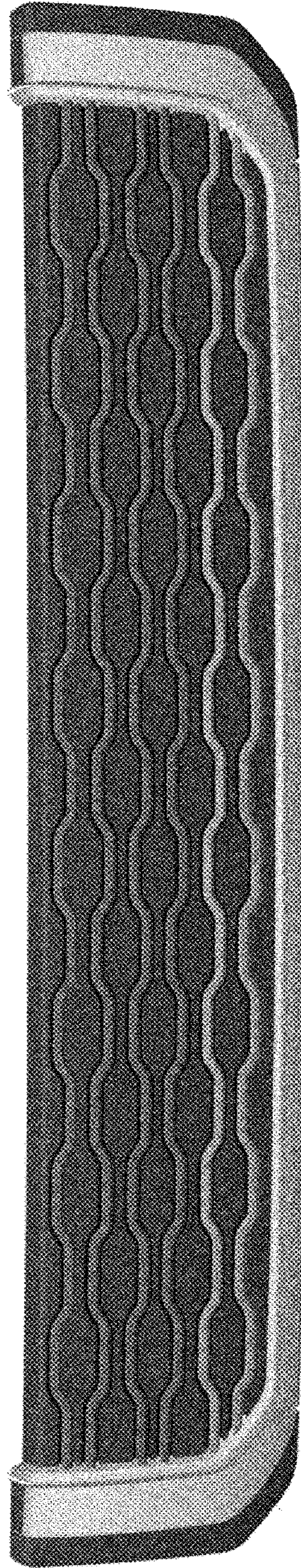


FIG. 9

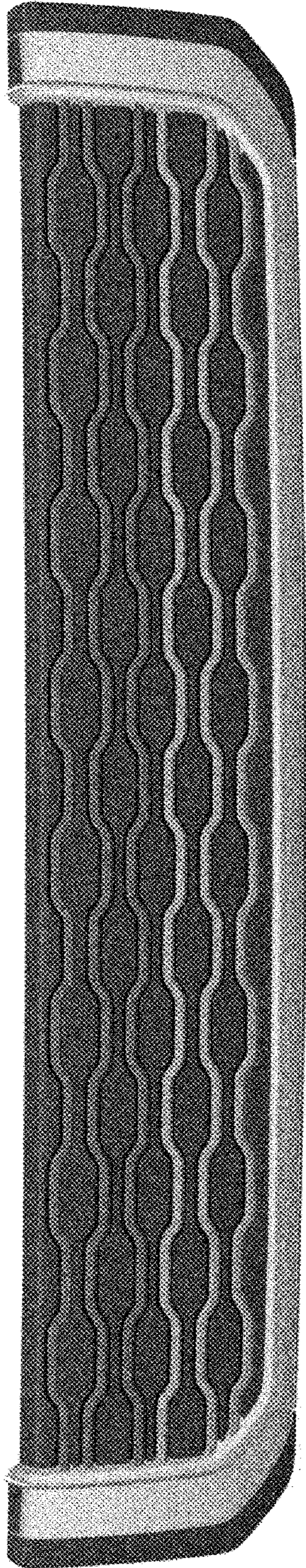


FIG. 10

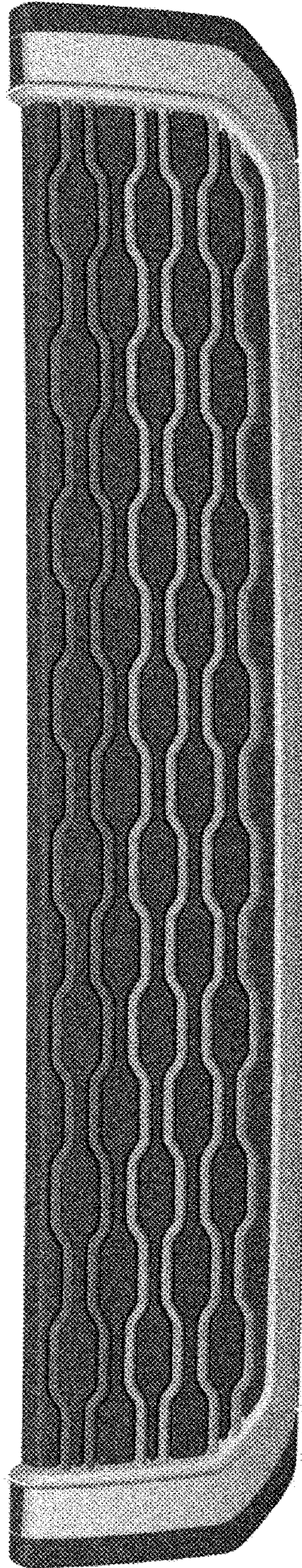


FIG. 11

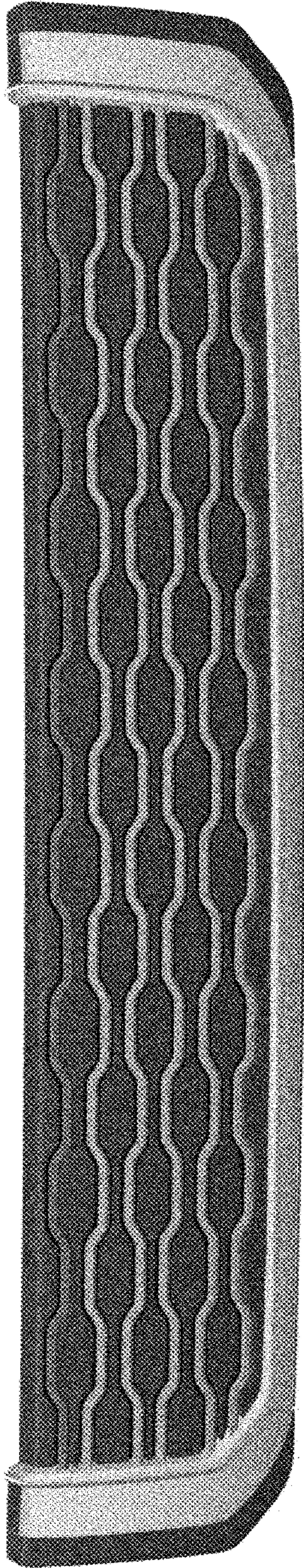


FIG. 12

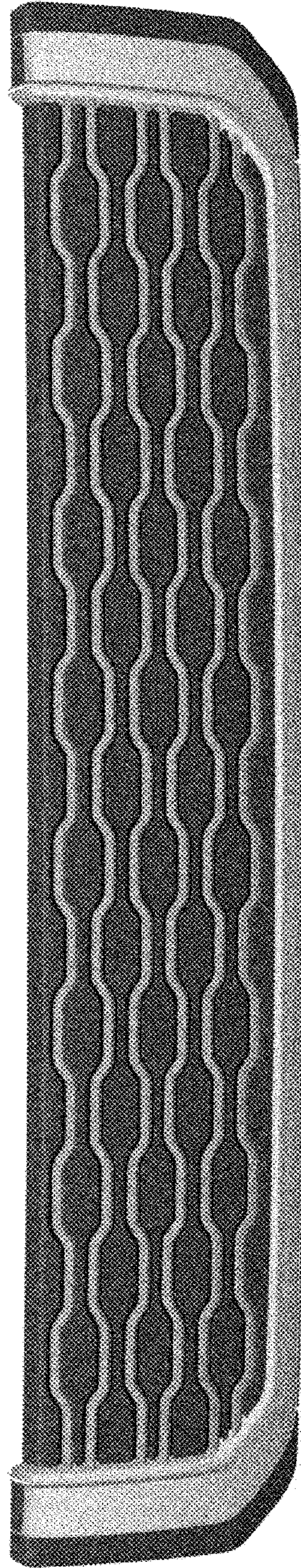


FIG. 13

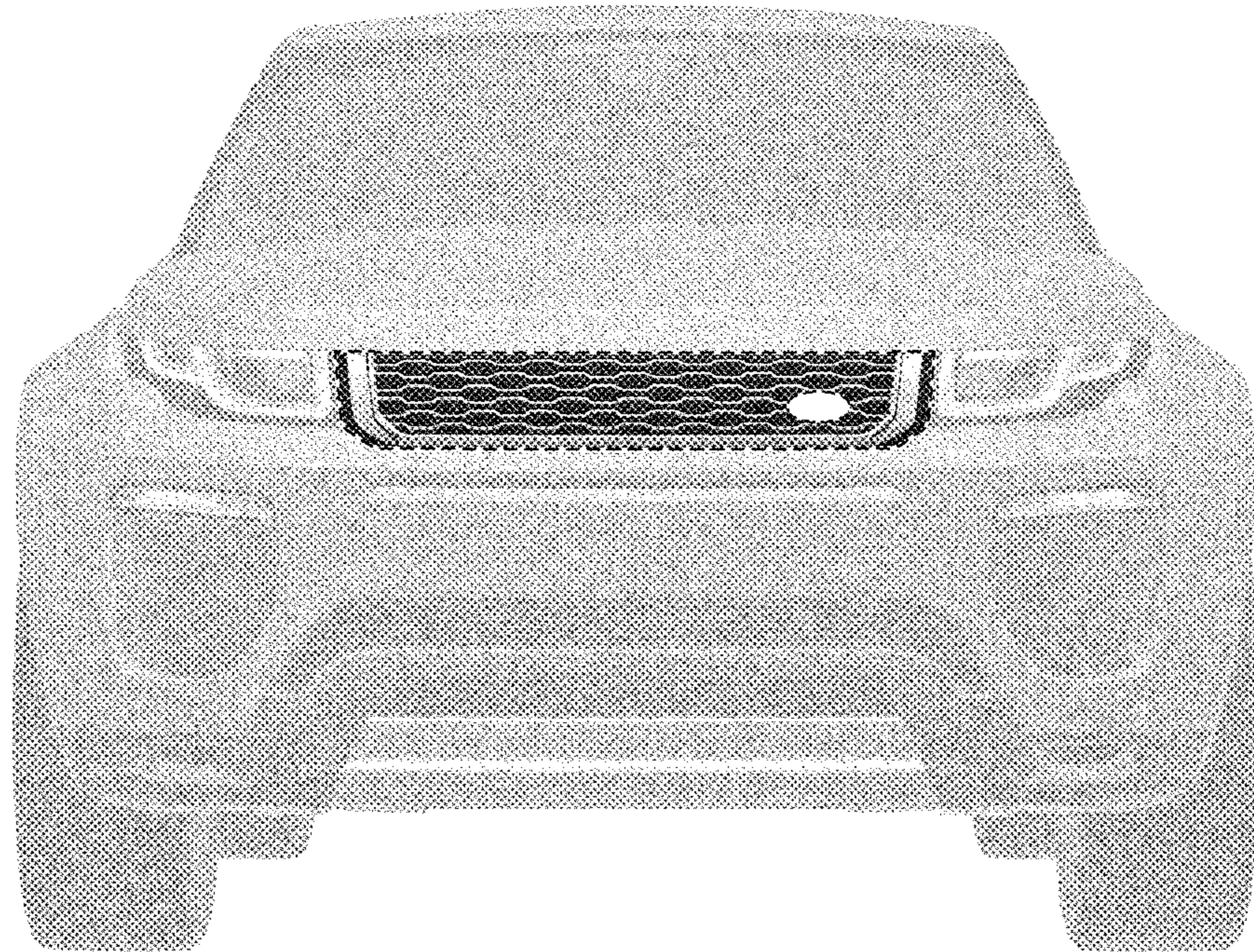


FIG. 14

UNITED STATES PATENT AND TRADEMARK OFFICE
CERTIFICATE OF CORRECTION

PATENT NO. : D794,517 S
APPLICATION NO. : 29/556178
DATED : August 15, 2017
INVENTOR(S) : Richard Woolley

Page 1 of 1

It is certified that error appears in the above-identified patent and that said Letters Patent is hereby corrected as shown below:

At Column 2, Description, Lines 32-33, "In FIG. 14, the features of the automobile front grille shown within the broken line periphery illustrates the claimed design." should read --In FIG. 14, the features of the automobile front grille shown within the broken line periphery illustrate the claimed design.--.

At Column 2, Description, after Line 37, add "The small broken line within the periphery also shows environmental structure, namely a grill badge, and forms no part of the claimed design.".

Signed and Sealed this
Twenty-sixth Day of December, 2017



Joseph Matal

*Performing the Functions and Duties of the
Under Secretary of Commerce for Intellectual Property and
Director of the United States Patent and Trademark Office*