



US00D794516S

(12) **United States Design Patent** (10) **Patent No.:** **US D794,516 S**  
**Siegel et al.** (45) **Date of Patent:** **\*\* Aug. 15, 2017**

- (54) **CARABINEER TOW HOOK** 4,858,977 A \* 8/1989 Mitchell ..... B66C 1/34  
294/82.1
- (71) Applicant: **Cequent Consumer Products, Inc.,** D368,246 S \* 3/1996 Hinnant ..... D12/162  
Solon, OH (US) D402,602 S \* 12/1998 Niswanger ..... D12/162  
6,000,108 A \* 12/1999 Roan ..... B66C 1/36  
24/265 H
- (72) Inventors: **Theodore Joseph Siegel,** Mayfield Heights, OH (US); **Eric Michael Yukich,** Stow, OH (US) D439,138 S \* 3/2001 Abernathy ..... D8/356  
D458,831 S \* 6/2002 Selby ..... D8/367  
6,712,379 B2 \* 3/2004 Graham ..... B60D 1/00  
211/18
- (73) Assignee: **HORIZON GLOBAL AMERICAS INC.,** Plymouth, MI (US) D583,654 S \* 12/2008 Uehara ..... D8/367  
D633,417 S \* 3/2011 Najarro ..... D12/162  
(Continued)

(\*\*) Term: **15 Years**

(21) Appl. No.: **29/569,629**

(22) Filed: **Jun. 29, 2016**

(51) **LOC (10) Cl.** ..... **12-16**

(52) **U.S. Cl.**  
USPC ..... **D12/162**

(58) **Field of Classification Search**  
USPC ..... D12/159, 160, 162, 163, 167, 169, 172,  
D12/400, 401, 402, 403, 404, 405, 406,  
D12/407, 408, 409, 410, 411, 412, 413,  
D12/414, 414.1, 420; D8/14, 21, 305,  
D8/17, 27, 29, 26, 71, 107, 382, 387,  
D8/395, 343

CPC ... B60D 1/07; B60D 1/46; B60D 1/58; B60D  
1/065; B60D 1/60; B60D 1/00; B60D  
1/605; B60D 1/52; B60D 1/06; B60D  
1/465; B60D 1/04; B60D 1/62; A61G  
3/0209; B60P 1/4414; B60P 1/4464;  
B66F 7/24; B66C 1/34; B66C 1/36  
See application file for complete search history.

(56) **References Cited**

**U.S. PATENT DOCUMENTS**

- 3,575,458 A \* 4/1971 Crook, Jr. .... B66C 1/36  
24/599.5
- 3,912,318 A \* 10/1975 Engh ..... B66C 1/36  
24/599.2

**OTHER PUBLICATIONS**

Tractorsupply.com. "Reese Towpower Carabiner Tow Hook." Retrieved Feb. 14, 2017. (<http://www.tractorsupply.com/tsc/product/reesetowpowercarabinertowhook>).\*

(Continued)

*Primary Examiner* — Karen S Acker

*Assistant Examiner* — Jerry Hsu

(74) *Attorney, Agent, or Firm* — McDonald Hopkins LLC

(57) **CLAIM**

The ornamental design for a carabineer tow hook, as shown and described.

**DESCRIPTION**

FIG. 1 is a perspective view of a carabineer tow hook showing our new design;

FIG. 2 is a front side view of FIG. 1 thereof;

FIG. 3 is a back side view of FIG. 1 thereof;

FIG. 4 is a first side view of FIG. 1 thereof;

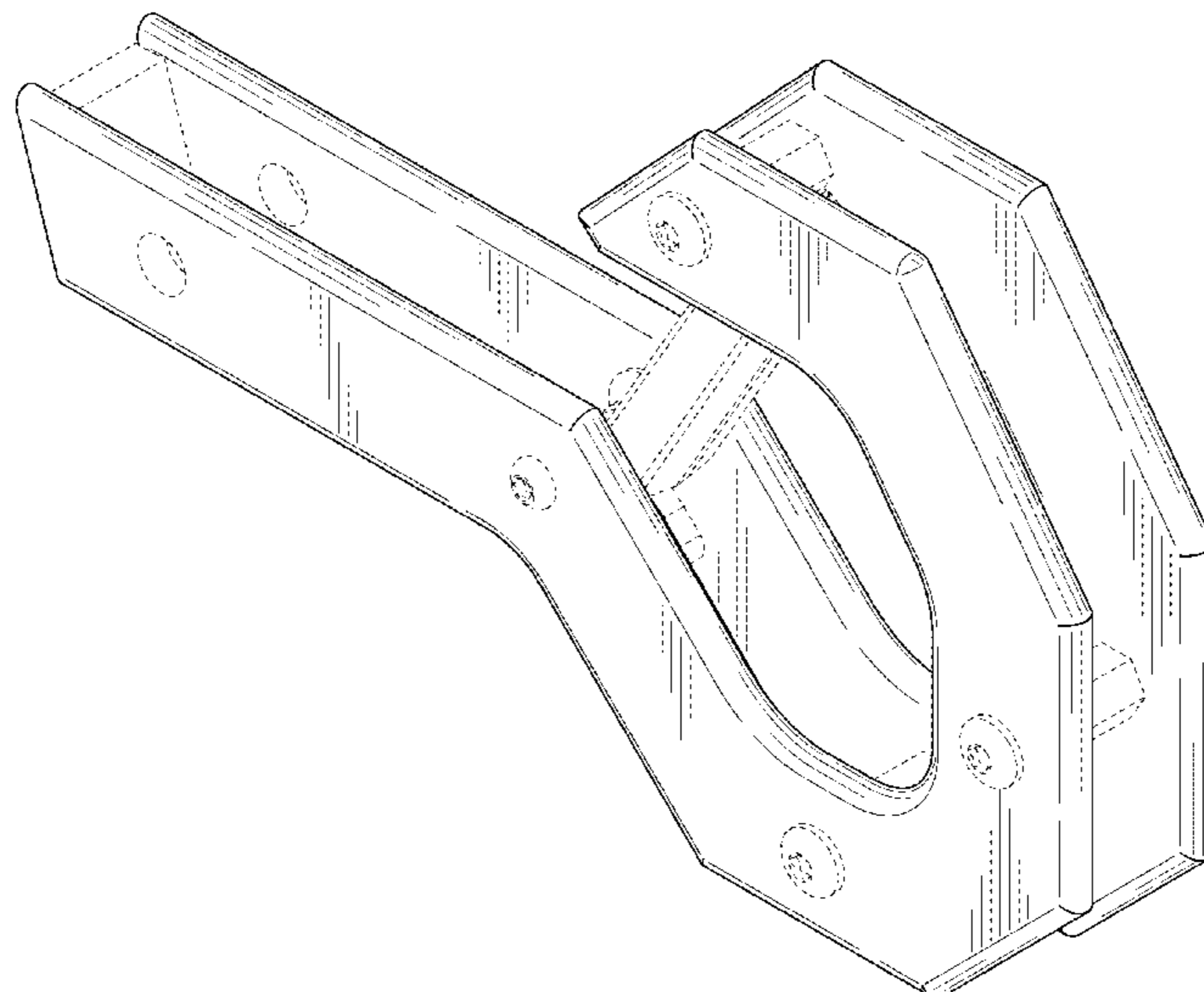
FIG. 5 is a second side view of FIG. 1 thereof;

FIG. 6 is a top view of FIG. 1 thereof; and,

FIG. 7 is a bottom view of FIG. 1 thereof.

The broken lines illustrate portions of a carabineer tow hook that form no part of the claimed design.

**1 Claim, 5 Drawing Sheets**



(56)

**References Cited**

U.S. PATENT DOCUMENTS

D744,911 S \* 12/2015 Najarro ..... D12/162  
2005/0017527 A1\* 1/2005 Smetz ..... B66C 1/34  
294/82.1

OTHER PUBLICATIONS

Amazon.com. "RBP 990001 Universal Grappler Tow Hook Hitch Step." First reviewed Jul. 29, 2013. Retrieved Mar. 15, 2017. (<https://www.amazon.com/RBP990001UniversalGrapplerHitch/dp/B008CLM0AM>).\*

\* cited by examiner

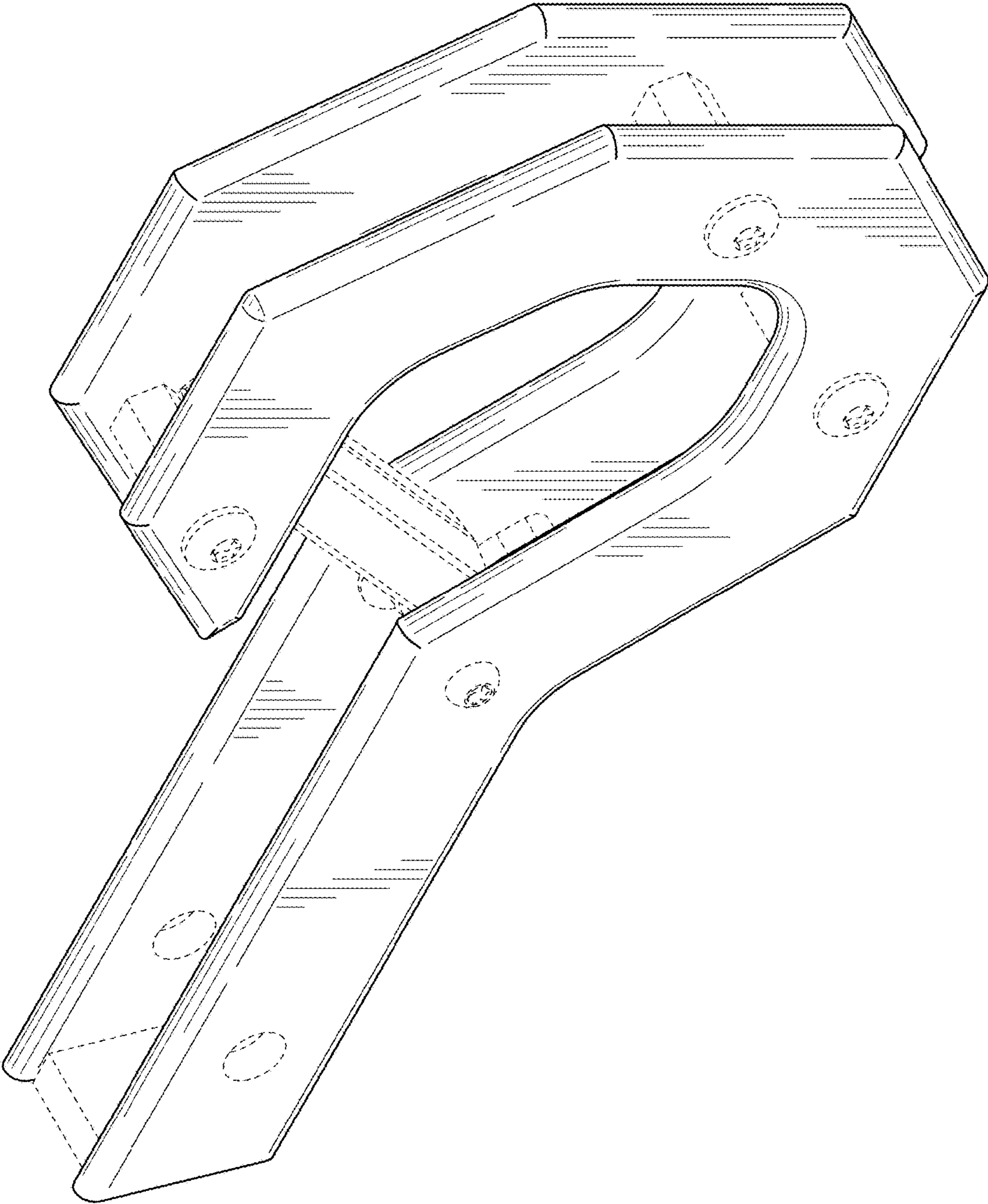


FIG. 1

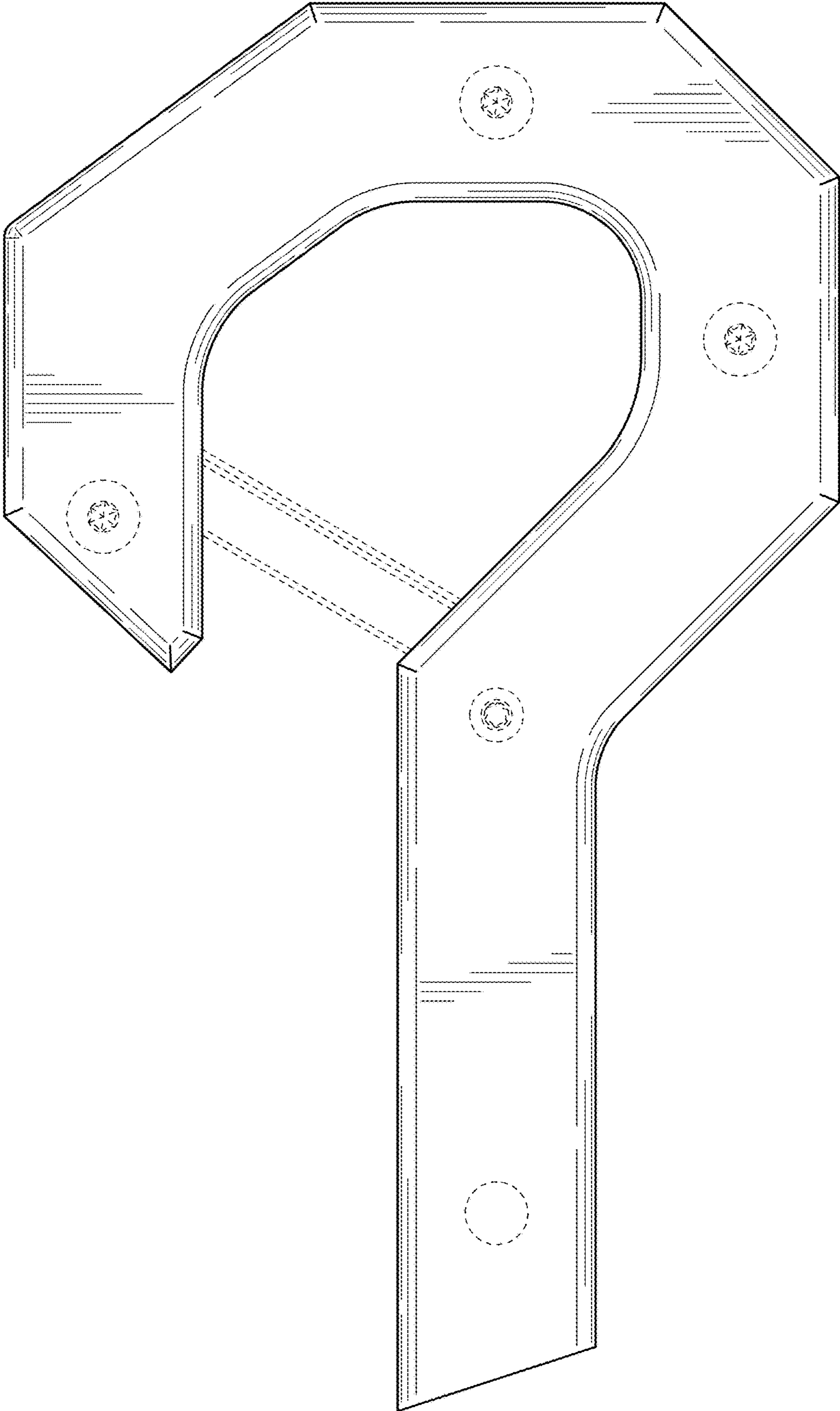


FIG. 2



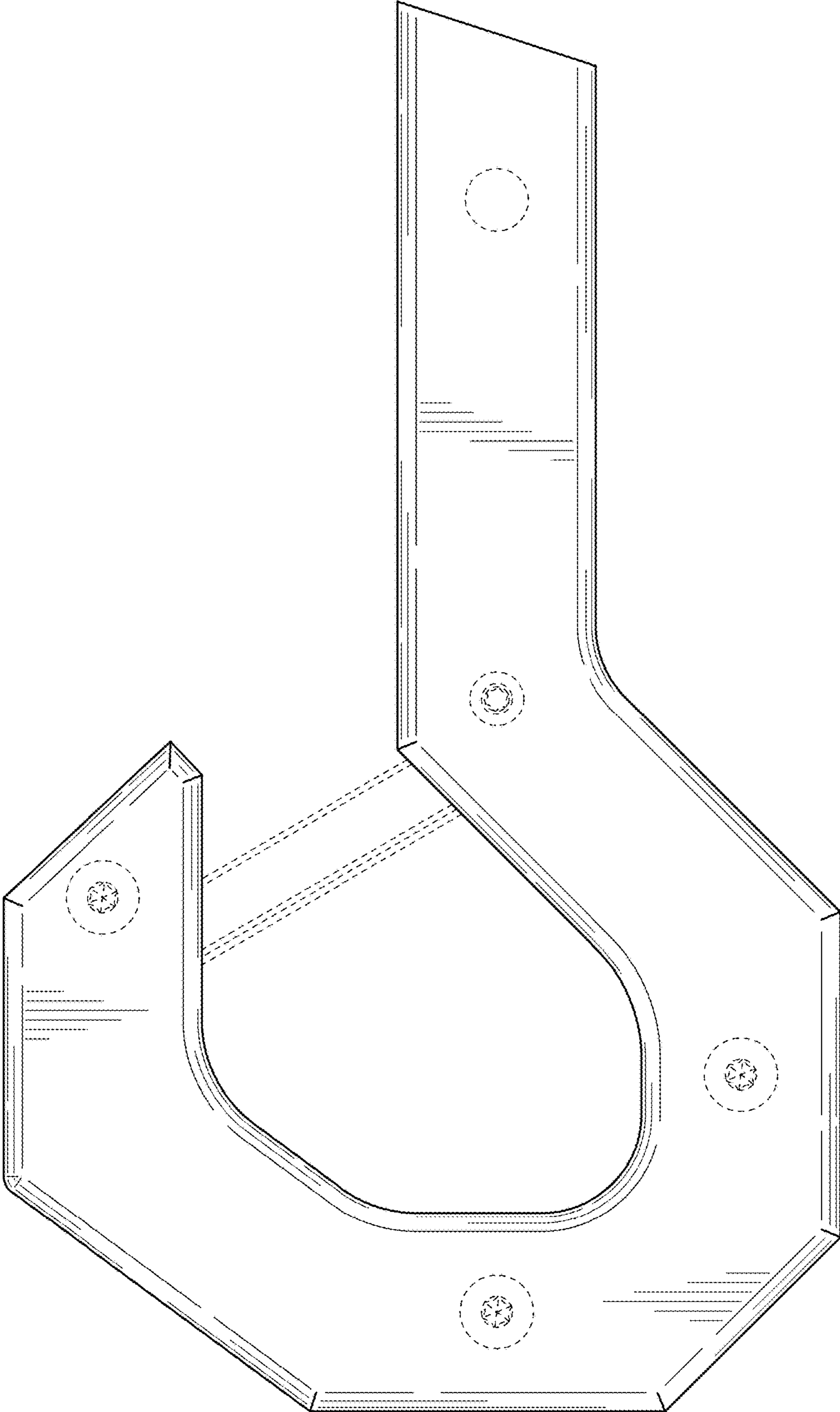


FIG. 3

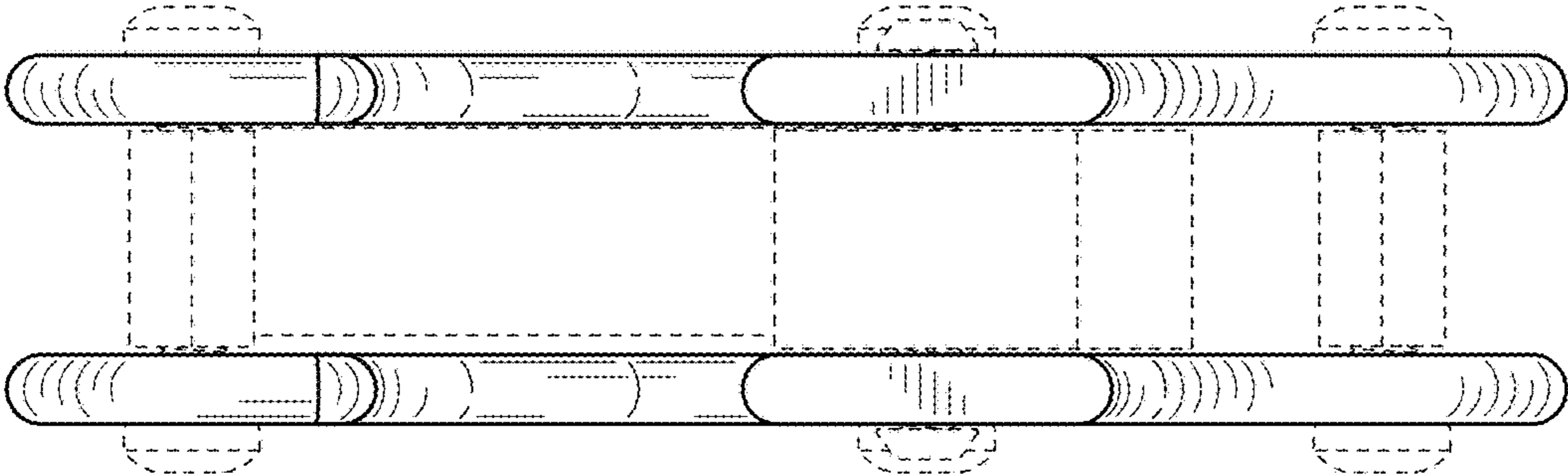


FIG. 5

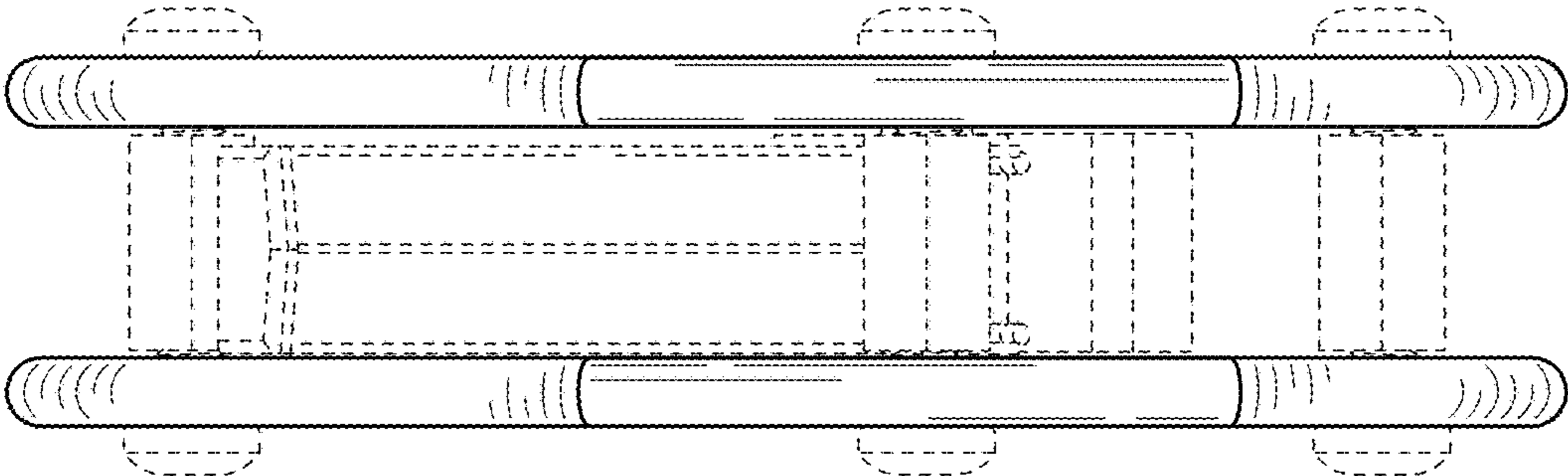


FIG. 4

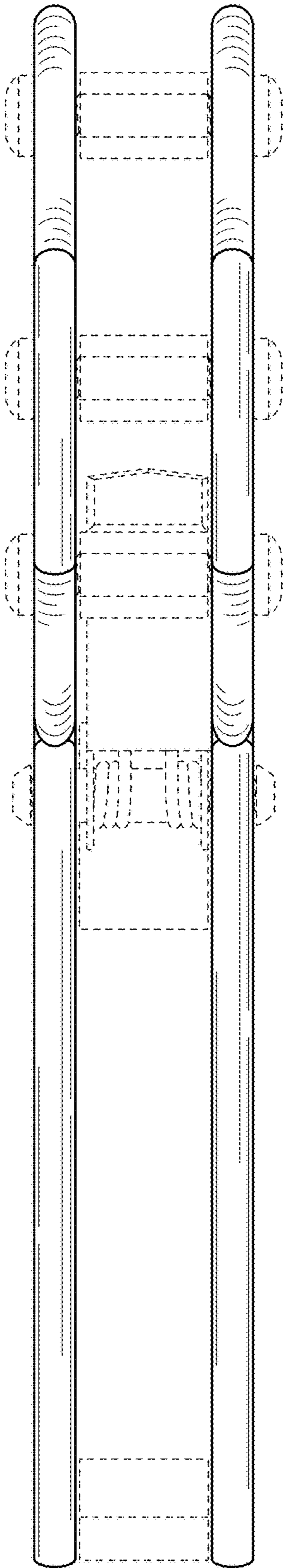


FIG. 6

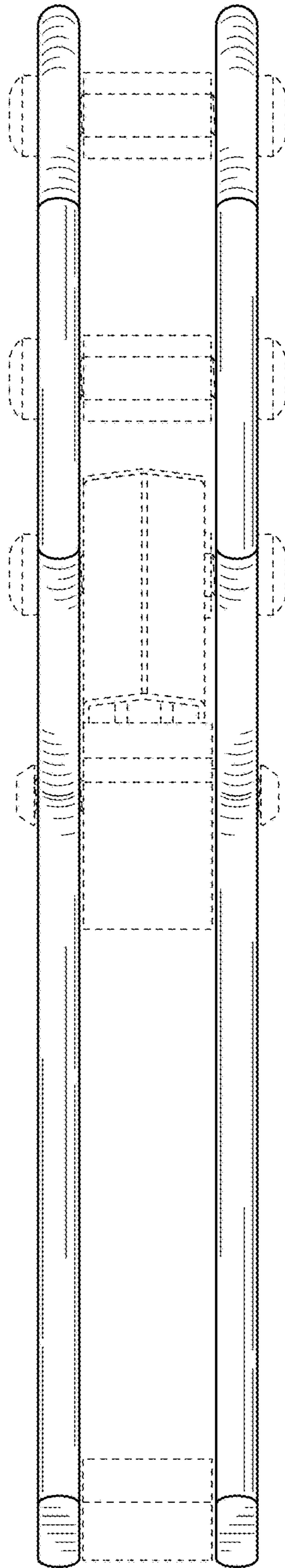


FIG. 7