



US00D794515S

(12) **United States Design Patent**
McCuskey

(10) **Patent No.:** **US D794,515 S**

(45) **Date of Patent:** **** Aug. 15, 2017**

(54) **DROP DOWN TRAILER HITCH**
(71) Applicant: **Scott McCuskey**, Boardman, OH (US)
(72) Inventor: **Scott McCuskey**, Boardman, OH (US)
(**) Term: **15 Years**

(21) Appl. No.: **29/554,414**

(22) Filed: **Feb. 11, 2016**

(51) **LOC (10) Cl.** **12-16**

(52) **U.S. Cl.**
USPC **D12/162**

(58) **Field of Classification Search**
USPC D12/162, 159, 160, 161
CPC . B60D 1/60; B60D 1/065; B60D 1/00; B60D
1/06

See application file for complete search history.

(56) **References Cited**

U.S. PATENT DOCUMENTS

3,881,577 A * 5/1975 Wherry B60T 11/107
188/112 R
4,538,827 A * 9/1985 Plifka B60D 1/60
280/507
6,623,025 B2 * 9/2003 McCoy B60D 1/52
224/519

6,877,757 B2 * 4/2005 Hayworth B62D 53/0842
280/438.1
7,419,177 B2 * 9/2008 Kottke B60D 1/36
280/511
D585,795 S * 2/2009 Gundlach D12/162
8,371,603 B2 * 2/2013 Columbia B60D 1/06
280/504
8,840,130 B2 * 9/2014 Columbia B60D 1/06
280/504
D729,704 S * 5/2015 Song D12/162
9,327,566 B2 * 5/2016 McAllister B60D 1/62

* cited by examiner

Primary Examiner — Katrina A Betton

(74) *Attorney, Agent, or Firm* — Harpman & Harpman

(57) **CLAIM**

The ornamental design for a drop down trailer hitch, as shown and described.

DESCRIPTION

FIG. 1 is a perspective front, right side and top view of a fixed drop down trailer hitch.

FIG. 2 is a right side elevational view thereof.

FIG. 3 is a left side elevational view thereof.

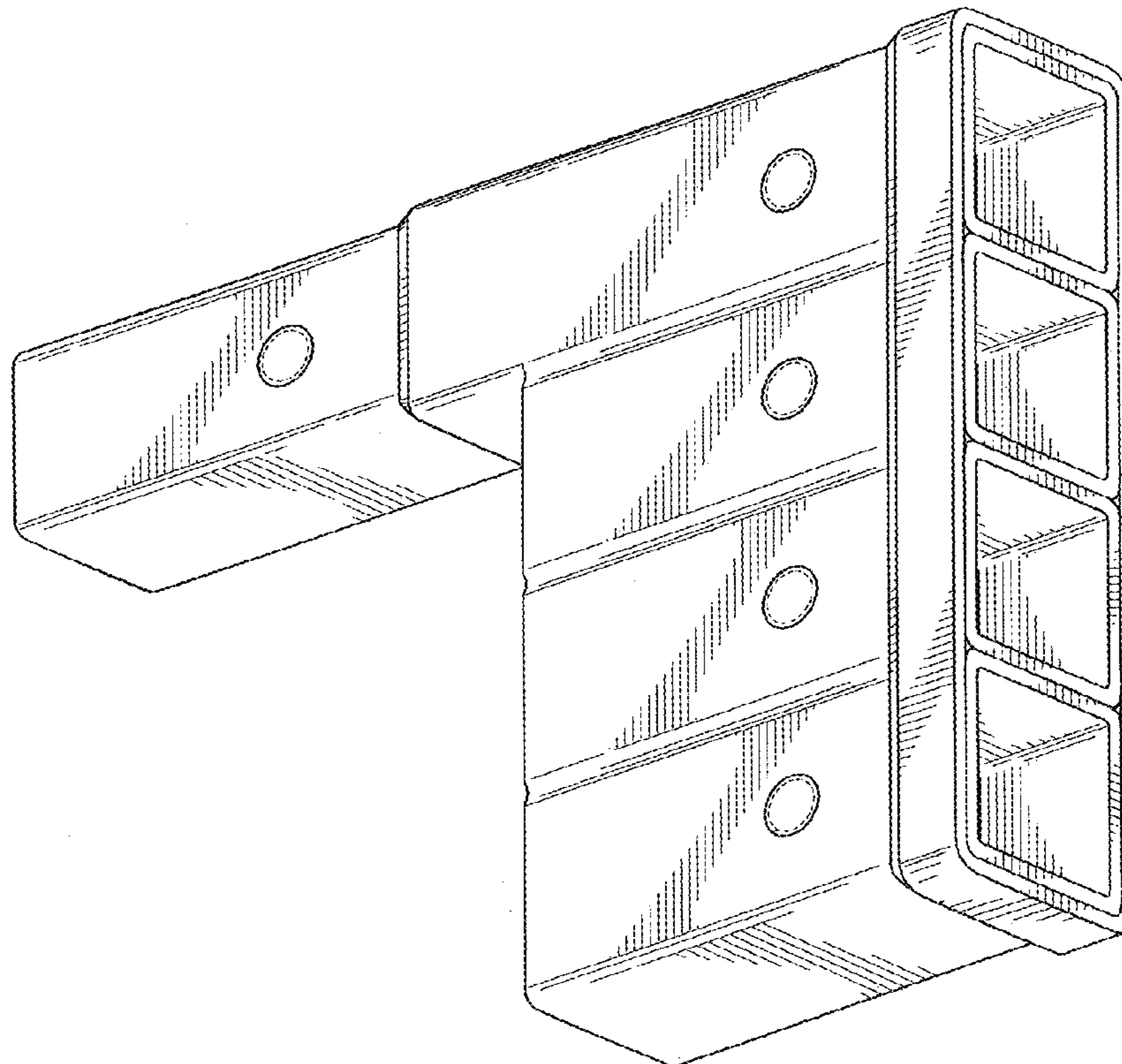
FIG. 4 is a front elevational view thereof.

FIG. 5 is a rear elevational view thereof.

FIG. 6 is a bottom plan view thereof; and,

FIG. 7 is a top plan view thereof.

1 Claim, 5 Drawing Sheets



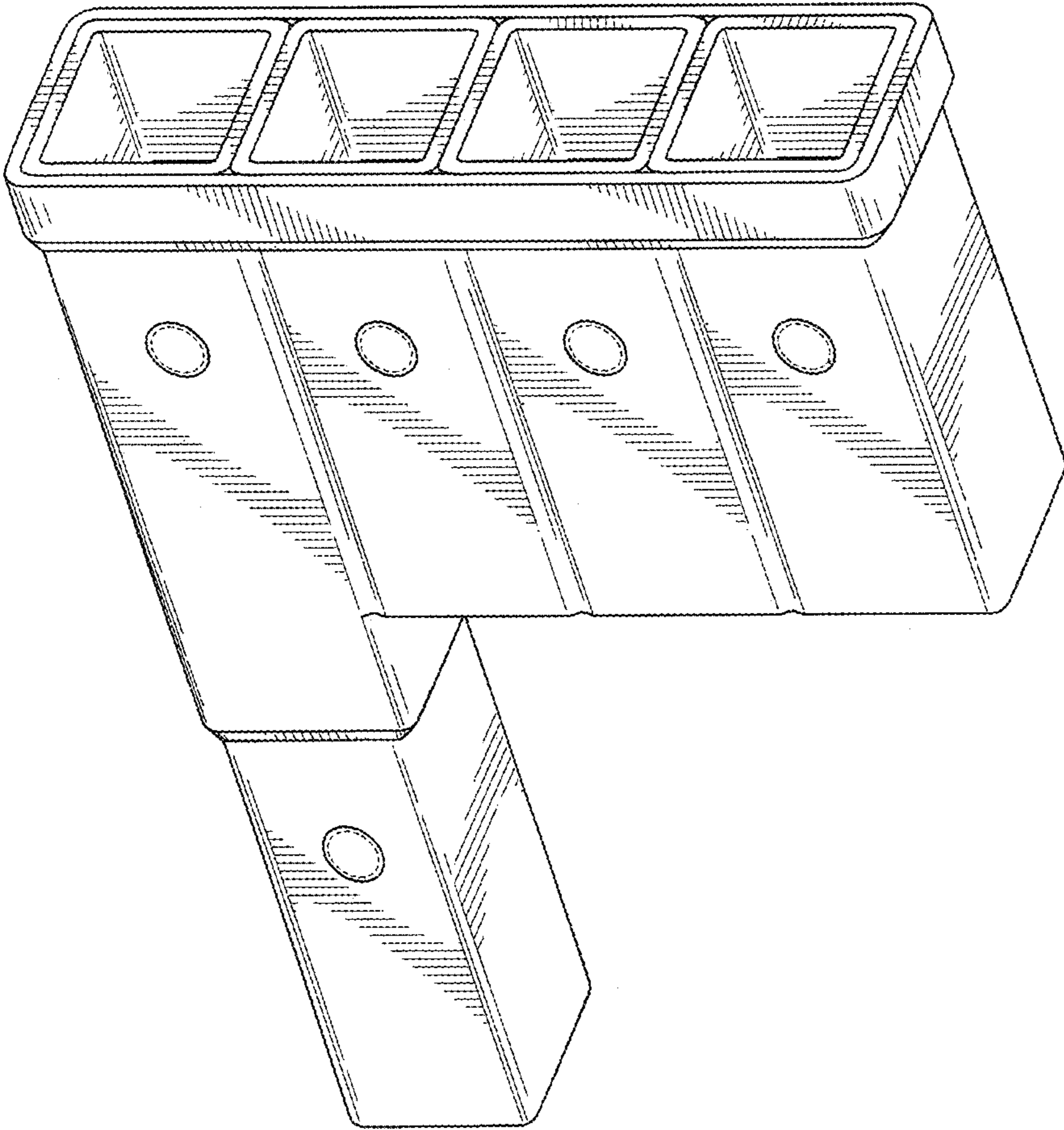


FIG. 1

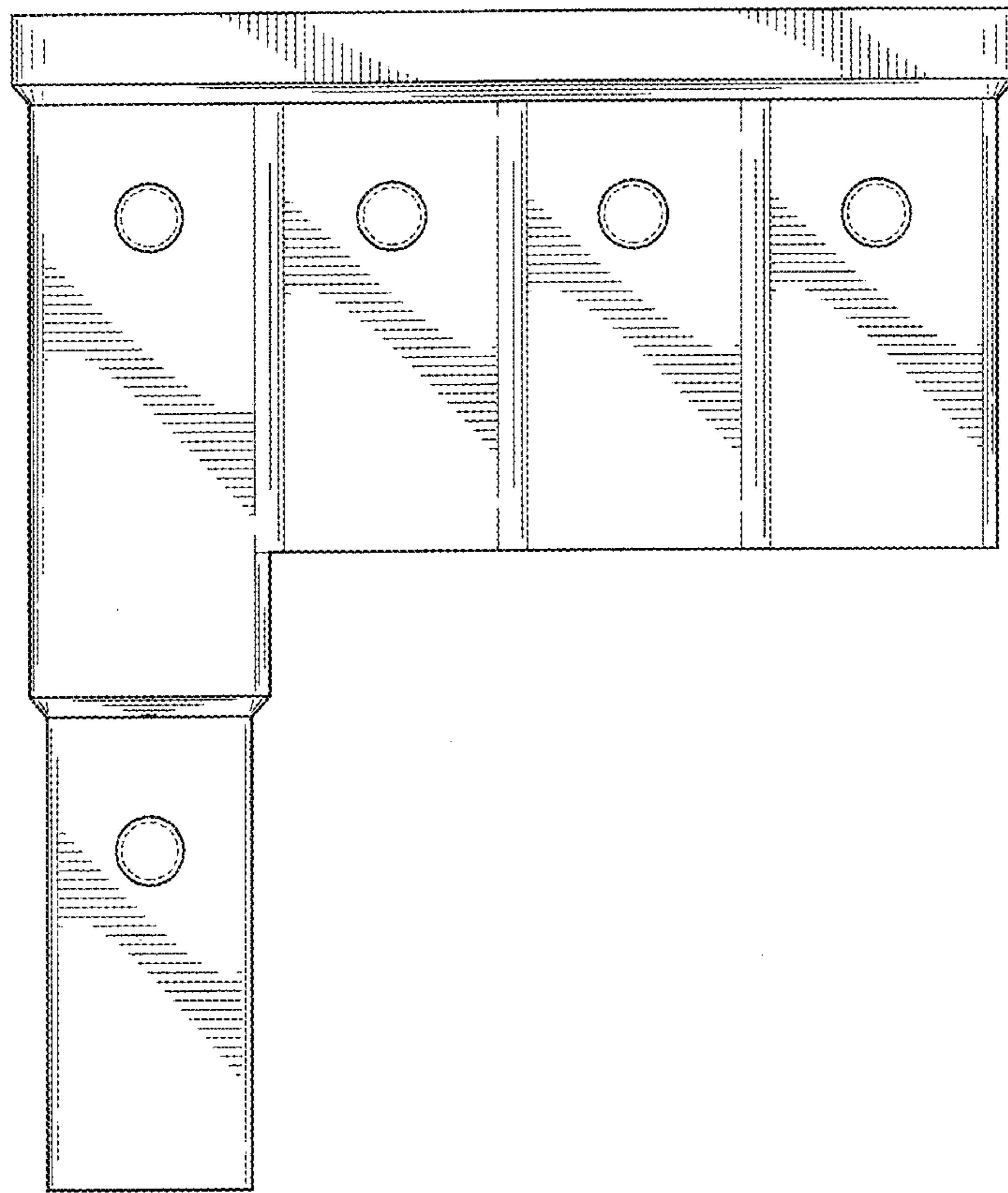


FIG. 2

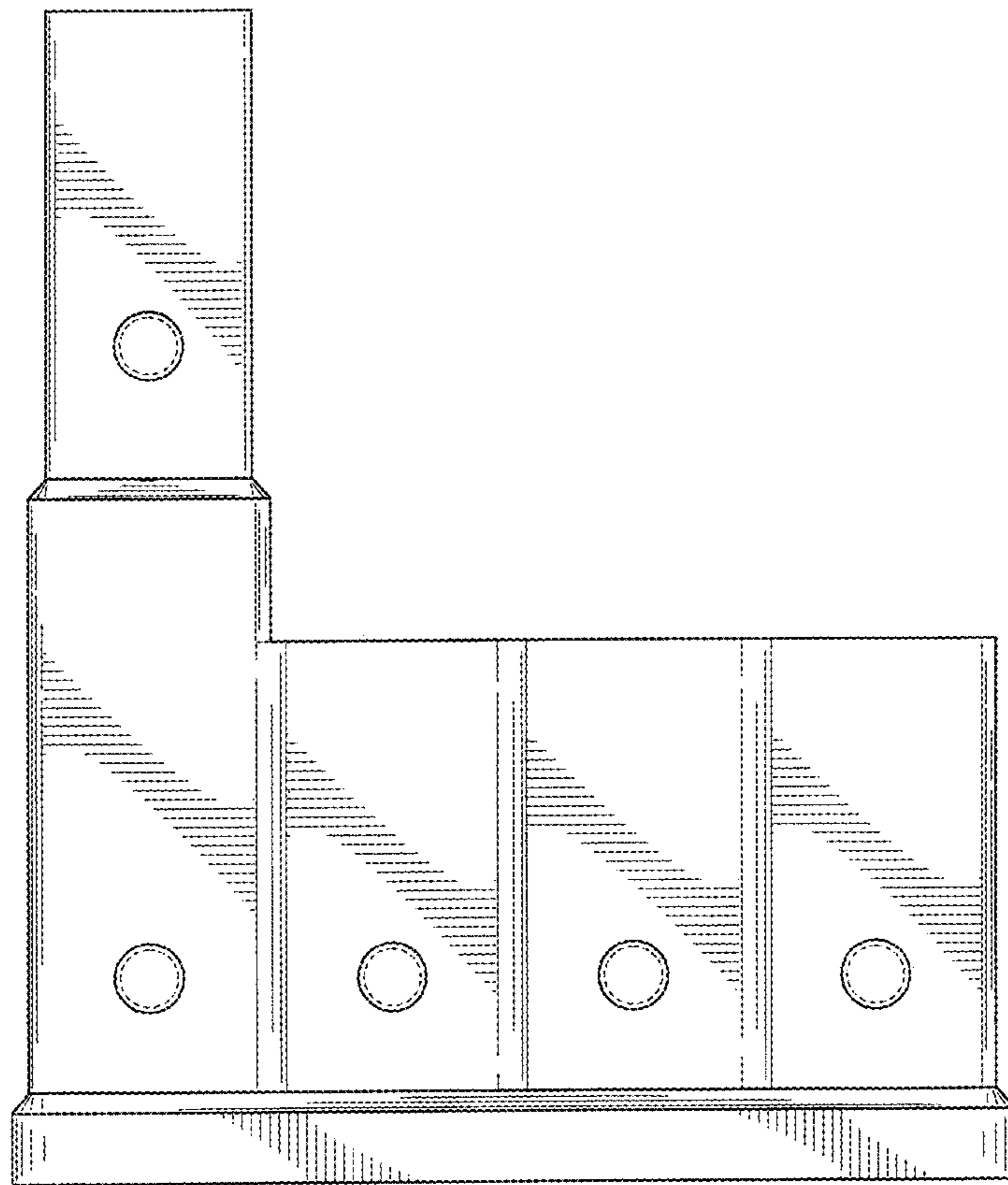


FIG. 3

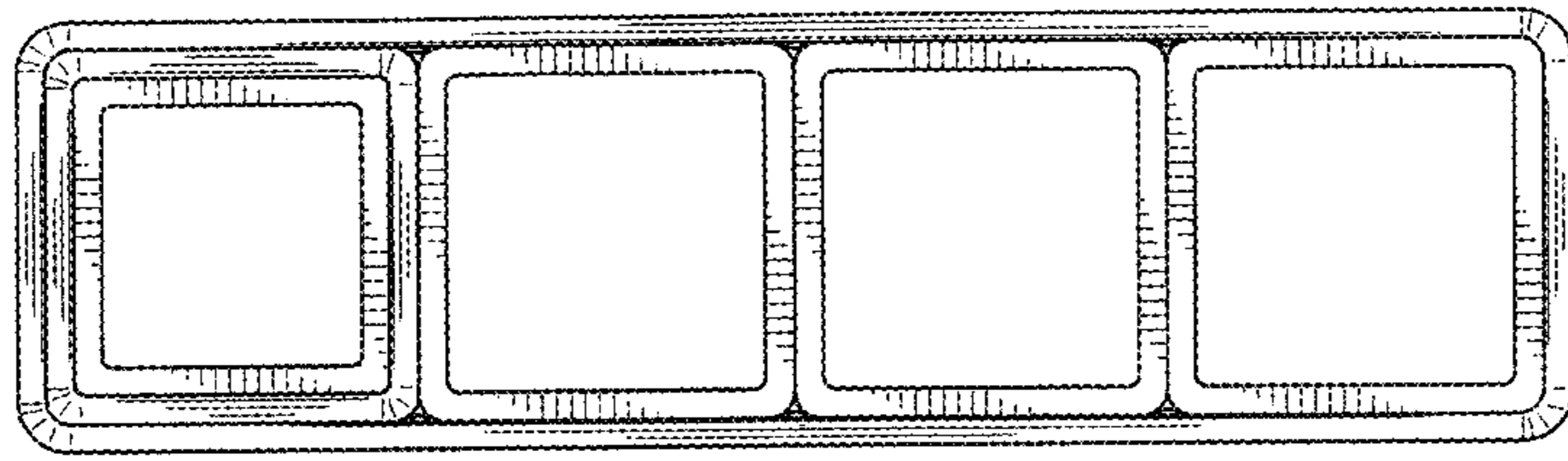


FIG. 5

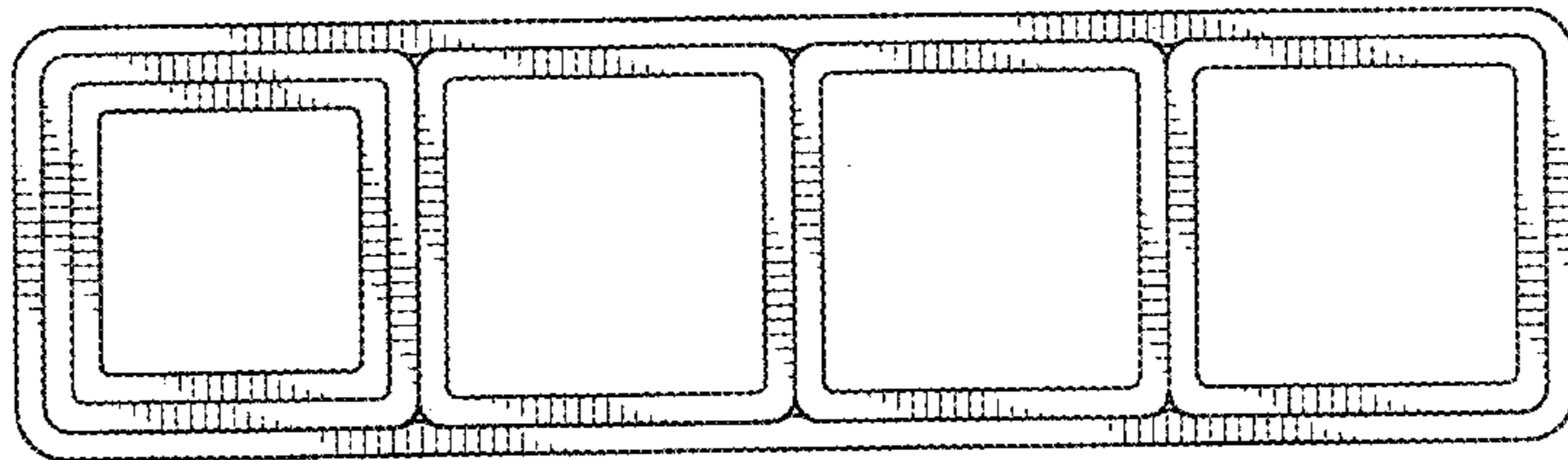


FIG. 4

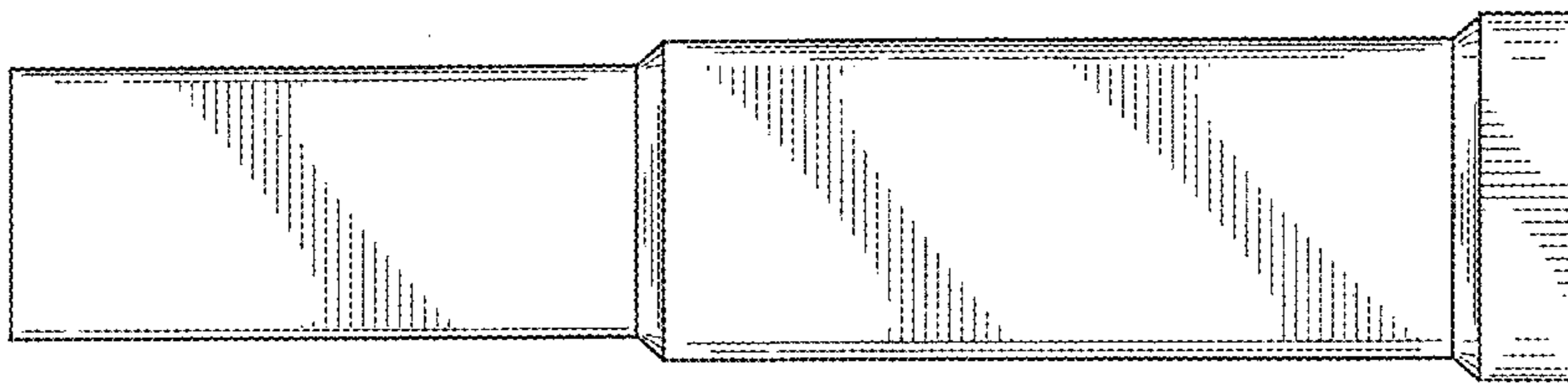


FIG. 7

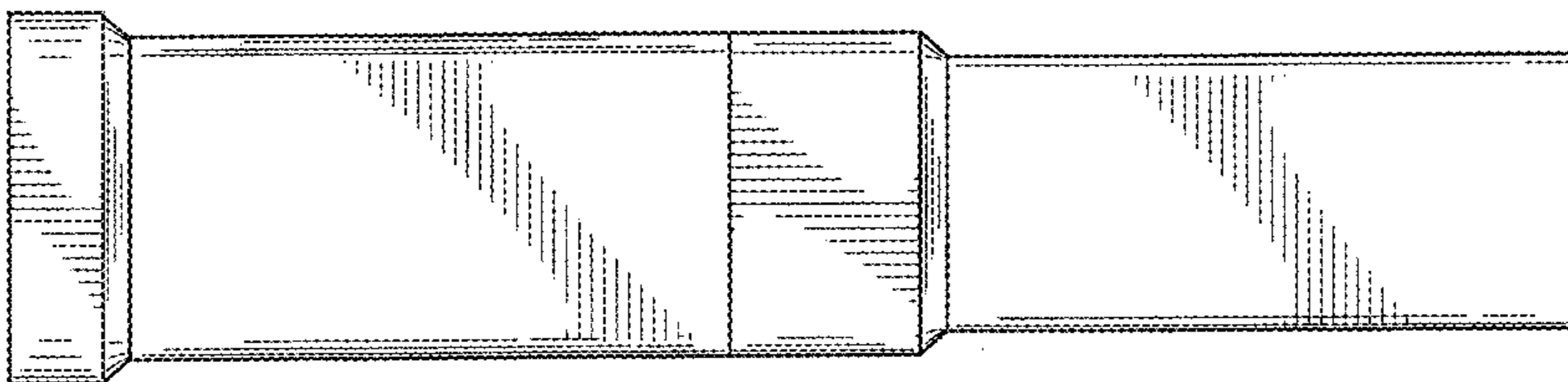


FIG. 6