



US00D794514S

(12) **United States Design Patent**
Chen

(10) **Patent No.:** **US D794,514 S**

(45) **Date of Patent:** **** Aug. 15, 2017**

(54) **SHOCK ABSORBER FOR A WHEEL**

2,634,986 A * 4/1953 McDaniel B62D 53/0864
16/35 D

(71) Applicant: **TOP GEAR TECHNOLOGY, LTD.**,
Taichung (TW)

2,770,832 A * 11/1956 Martin B64C 25/505
16/35 D

(72) Inventor: **Chung-Ming Chen**, Taichung (TW)

D735,021 S * 7/2015 Da Cunha D8/375
2009/0172915 A1 * 7/2009 Hunziker A61G 5/06
16/46

(73) Assignee: **Top Gear Technology, Ltd.**, Taichung
(TW)

2011/0131761 A1 * 6/2011 Campbell B60B 33/045
16/35 D

(**) Term: **15 Years**

* cited by examiner

(21) Appl. No.: **29/546,622**

Primary Examiner — Michael A Pratt

(22) Filed: **Nov. 24, 2015**

(74) *Attorney, Agent, or Firm* — Michael Best &
Friedrich LLP

(30) **Foreign Application Priority Data**

Oct. 13, 2015 (TW) 104305658

(51) **LOC (10) Cl.** **12-16**

(52) **U.S. Cl.**
USPC **D12/159**

(58) **Field of Classification Search**

USPC D21/763; D12/174–175, 59
CPC B62D 1/046; B62D 1/185; B62D 1/195;
B62D 1/187; B60W 10/20; B60W
2540/18; B60G 11/22; B60G 2204/125;
B60G 2202/143; B60G 2202/142; B60G
2204/41; B60G 2202/14; B60G 2206/73

See application file for complete search history.

(56) **References Cited**

U.S. PATENT DOCUMENTS

D114,527 S * 5/1939 Boden D8/375
2,490,560 A * 12/1949 Urquhart, Jr. B64C 25/505
16/35 D

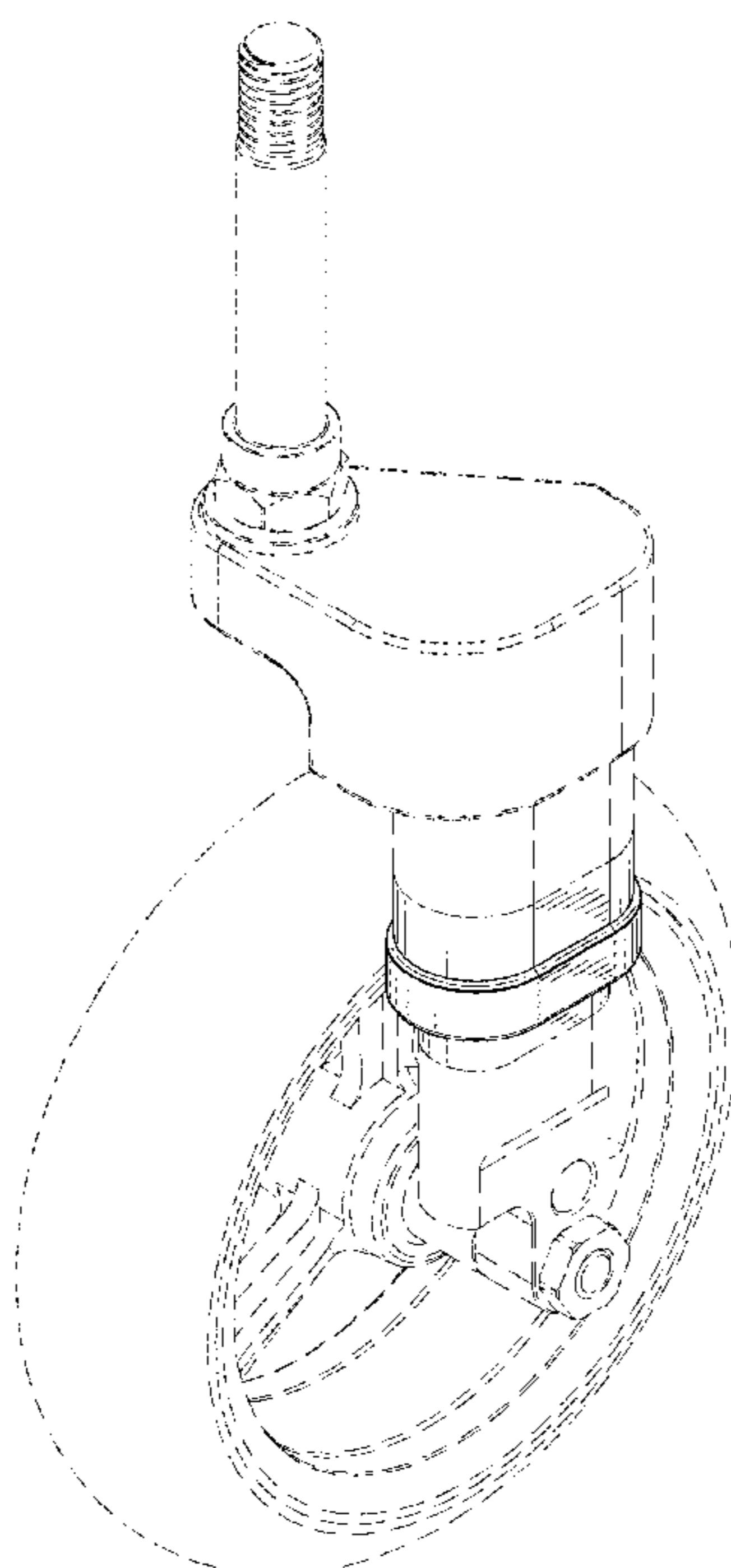
(57) **CLAIM**

The ornamental design for a shock absorber for a wheel, as shown and described.

DESCRIPTION

FIG. 1 is a perspective view of the shock absorber showing my new design;
FIG. 2 is a front elevational view thereof;
FIG. 3 is a rear elevational view thereof;
FIG. 4 is a left side elevational view thereof;
FIG. 5 is a right side elevational view thereof;
FIG. 6 is a top plan view thereof; and,
FIG. 7 is a bottom plan view thereof.
The broken lines are for illustrating environment structure only and form no part of the claimed design.

1 Claim, 7 Drawing Sheets



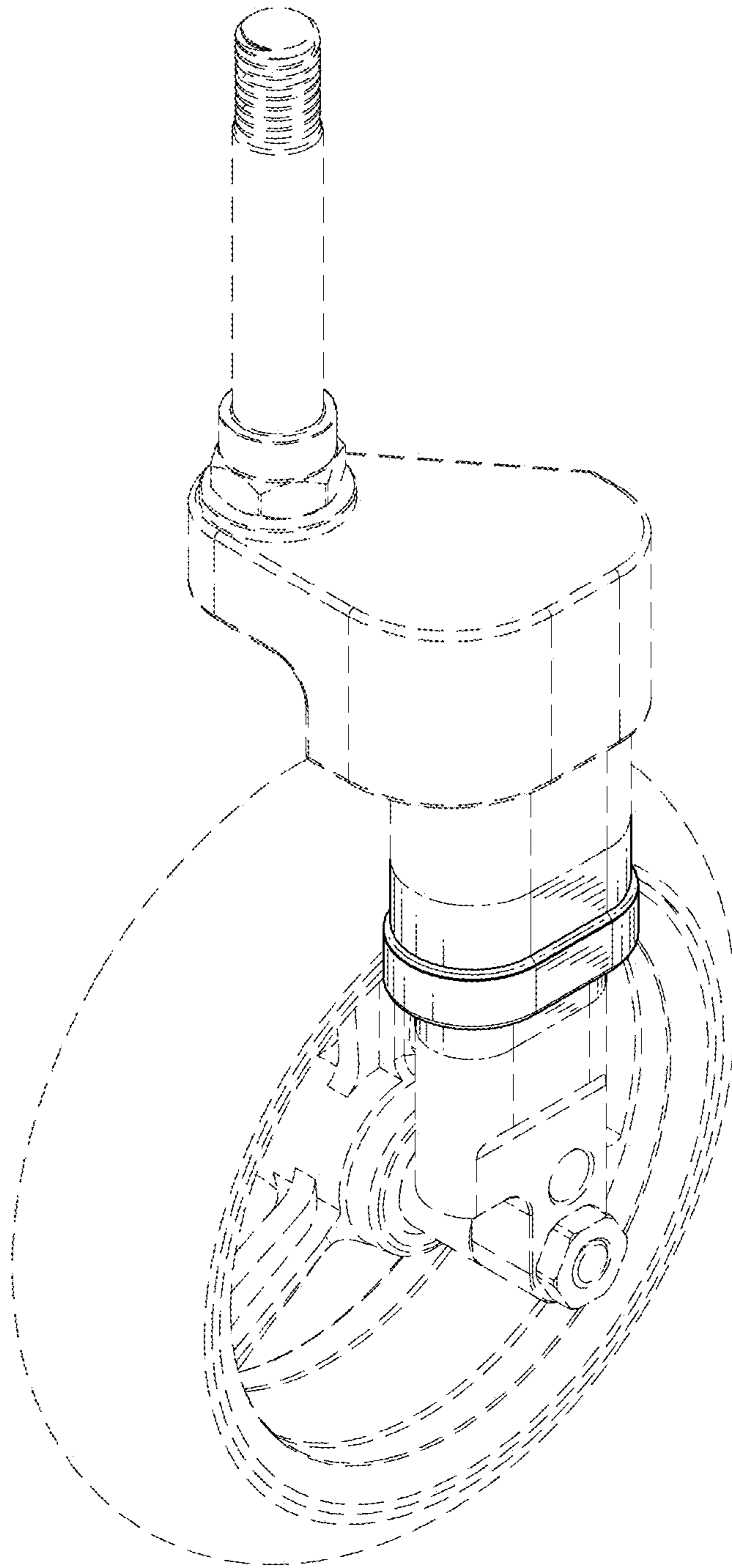


FIG. 1

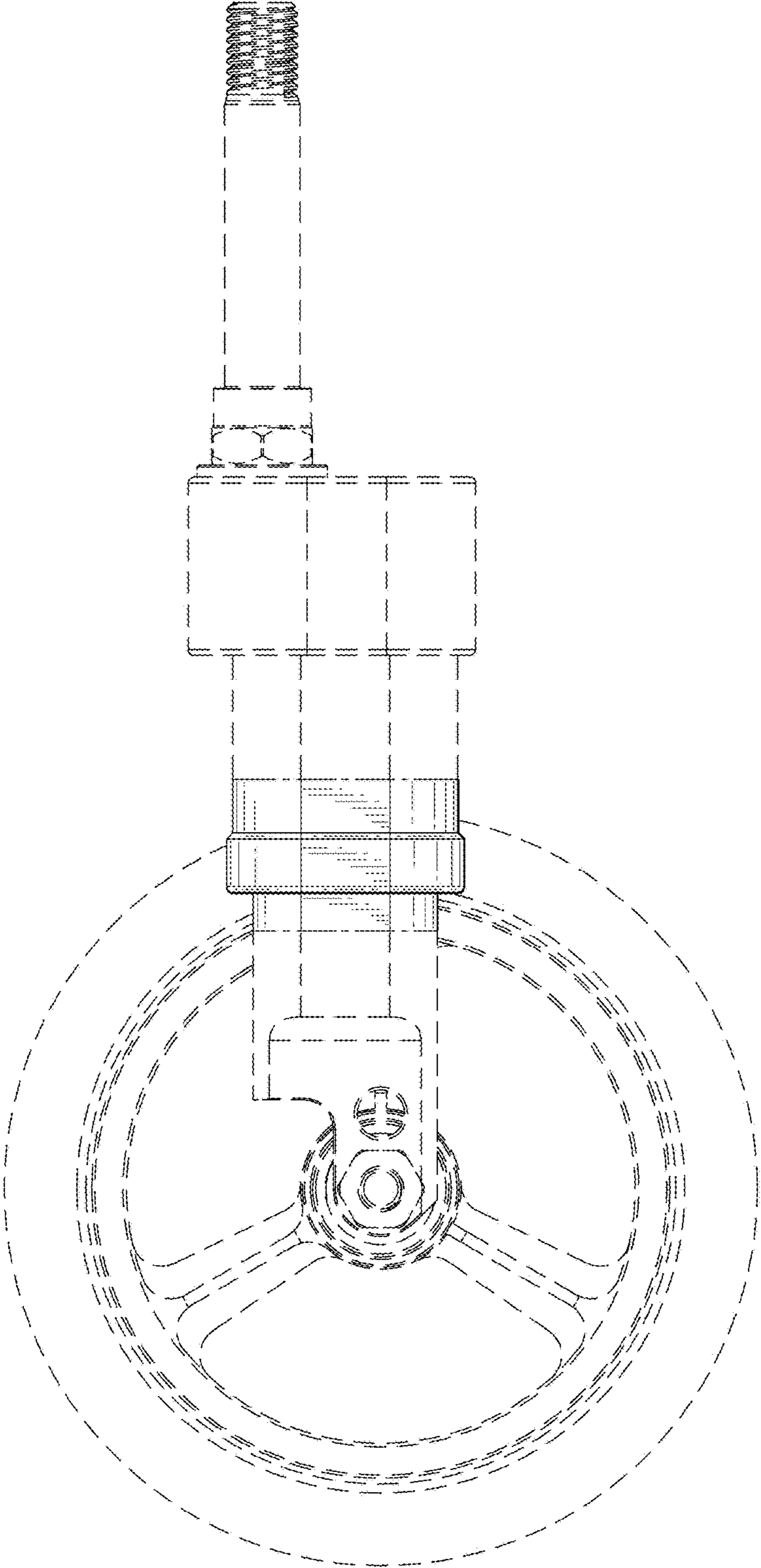


FIG.2

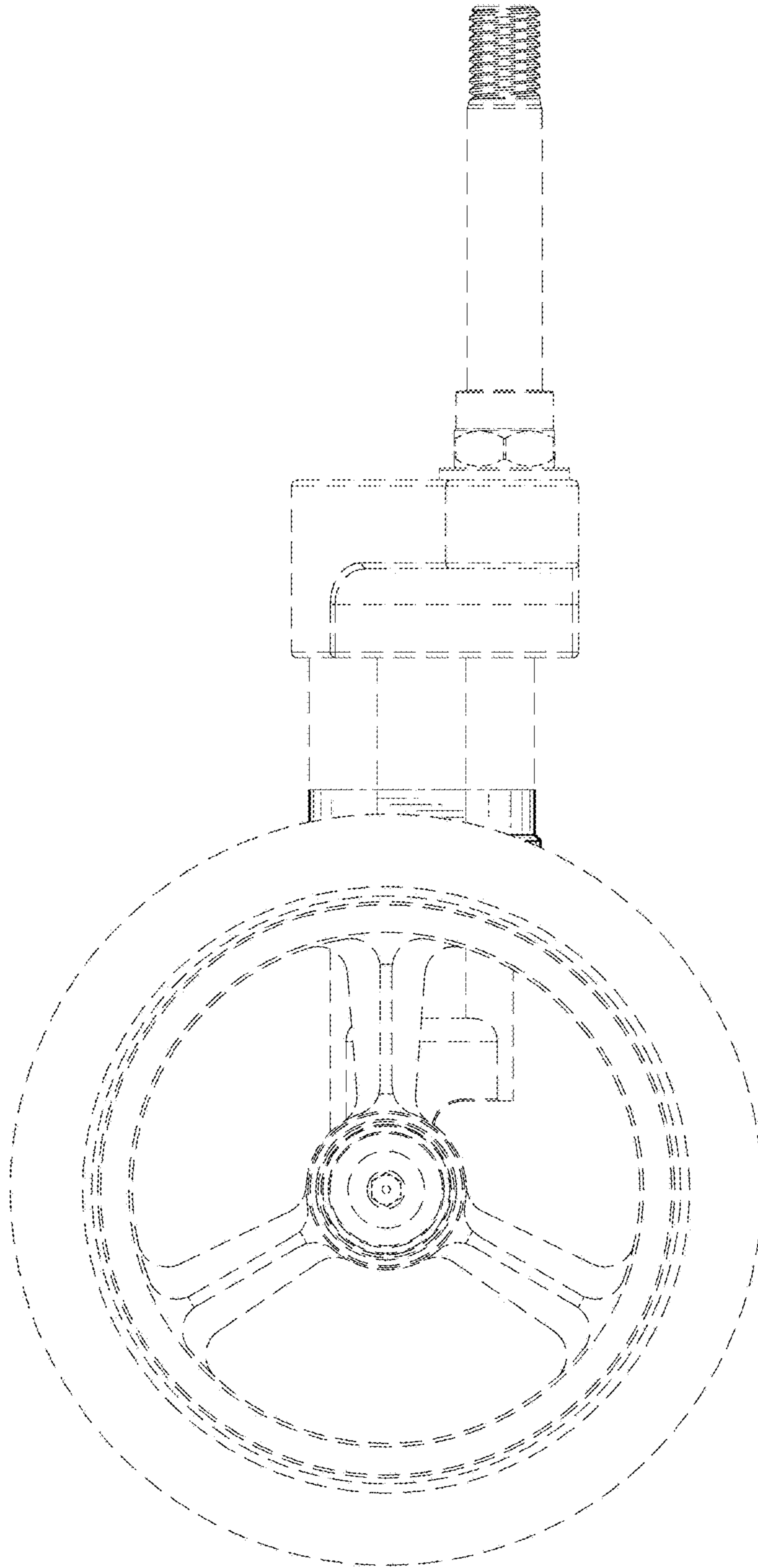


FIG.3

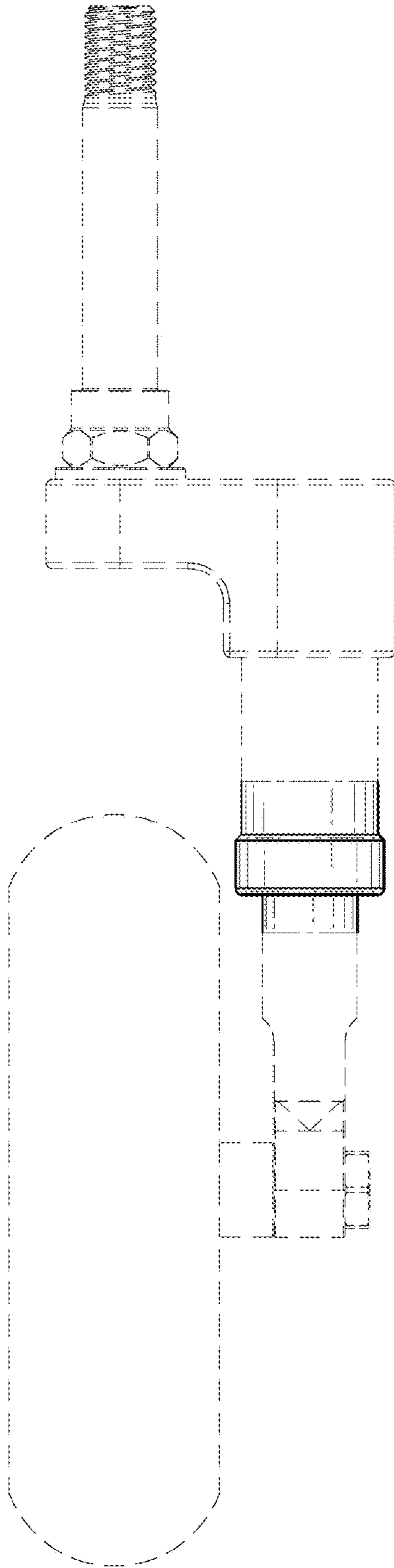


FIG.4

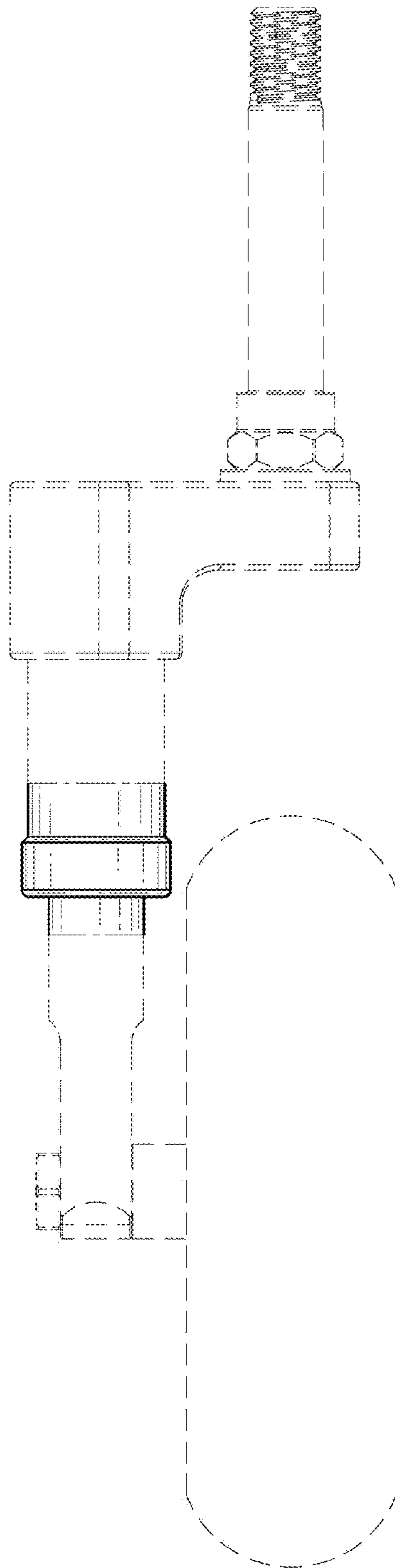


FIG.5

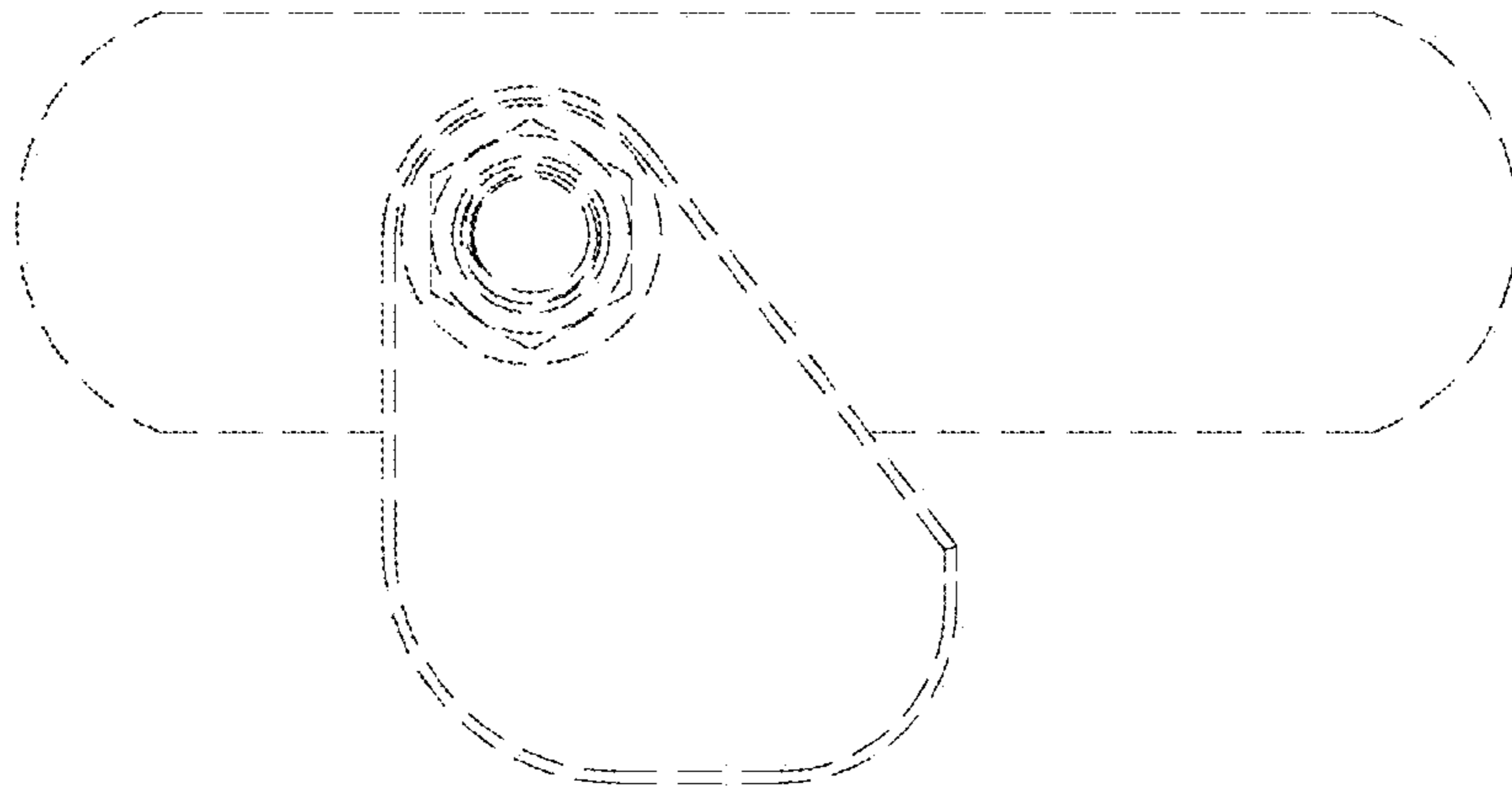


FIG. 6

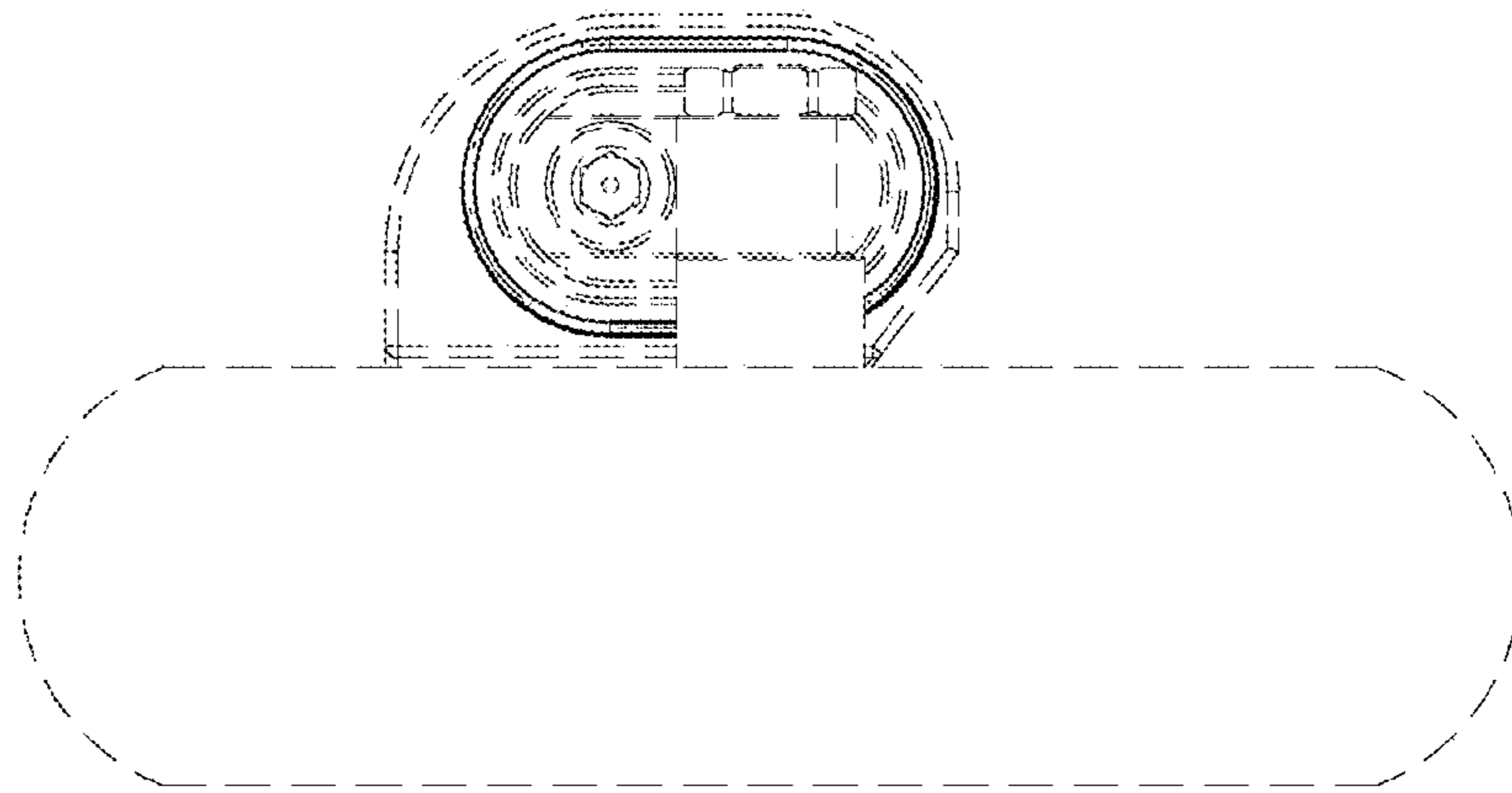


FIG.7