



US00D794513S

(12) **United States Design Patent** (10) **Patent No.:** **US D794,513 S**
Zhou (45) **Date of Patent:** **** Aug. 15, 2017**

- (54) **STROLLER**
- (71) Applicant: **ChangDe YiXiang Industrial Co., Ltd.**, Hu Nan Province (CN)
- (72) Inventor: **Jin-Song Zhou**, Hu Nan Province (CN)
- (73) Assignee: **ChangDe YiXiang Industrial Co., Ltd.**, Hu Nan Province (CN)
- (**) Term: **15 Years**
- (21) Appl. No.: **29/577,256**
- (22) Filed: **Sep. 12, 2016**
- (51) **LOC (10) Cl.** **12-12**
- (52) **U.S. Cl.**
USPC **D12/129**
- (58) **Field of Classification Search**
USPC D12/128–133
CPC B62B 7/00–7/04; B62B 9/00–9/28
See application file for complete search history.

- D726,078 S * 4/2015 Liao D12/129
- D733,617 S * 7/2015 Angelfoss D12/129
- D737,733 S * 9/2015 Zhong D12/129
- D747,669 S * 1/2016 Cheng D12/129
- D753,027 S * 4/2016 Jane Santamaria D12/129
- D754,033 S * 4/2016 Angelfoss D12/129

* cited by examiner

Primary Examiner — Charles Hanson
(74) *Attorney, Agent, or Firm* — Alan D. Kamrath;
Kamrath IP Lawfirm, P.A.

(57) **CLAIM**

The ornamental design for a stroller, as shown and described.

DESCRIPTION

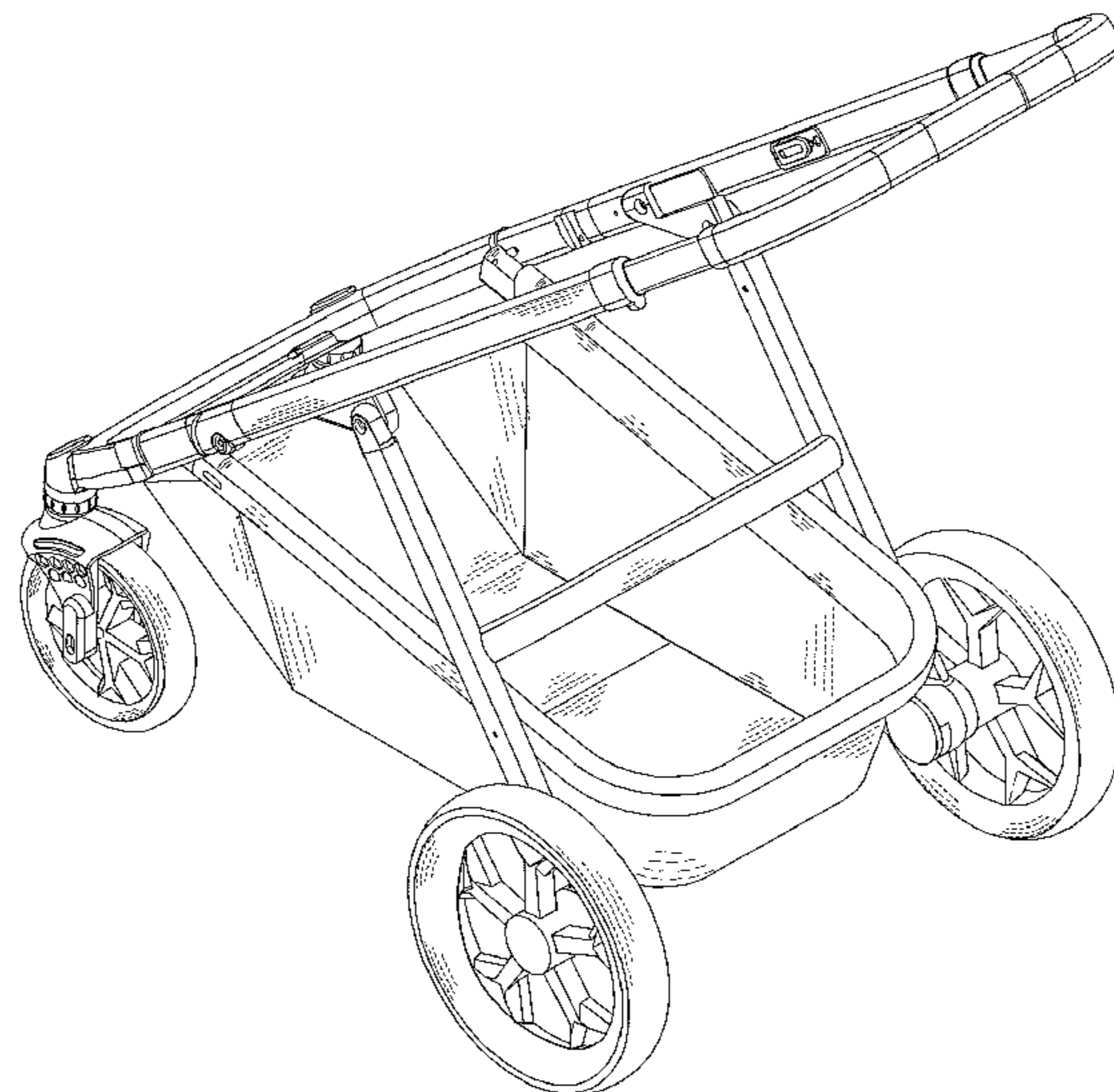
FIG. 1 is a perspective view of a stroller showing my new design;
FIG. 2 is a front elevational view thereof;
FIG. 3 is a rear elevational view thereof;
FIG. 4 is a right side view thereof;
FIG. 5 is a left side view thereof;
FIG. 6 is a top plan view thereof
FIG. 7 is a bottom plan view thereof; and
FIG. 8 is a schematic view showing added components;
FIG. 9 is a schematic view showing added components;
FIG. 10 is a schematic view showing added components;
FIG. 11 is a schematic view showing added components;
FIG. 12 is a schematic view showing added components;
FIG. 13 is a schematic view showing added components;
and,
FIG. 14 is a schematic view showing added components.
The broken line showing of added components in FIGS. 8-14 is included for the purpose of illustrating environment and forms no part of the claimed design.

(56) **References Cited**

U.S. PATENT DOCUMENTS

- D375,707 S * 11/1996 Yang D12/129
- D519,422 S * 4/2006 Huang D12/129
- 7,267,359 B1 * 9/2007 Yang B62B 7/08
280/47.34
- 7,364,171 B2 * 4/2008 Hu B60B 1/006
280/47.38
- D578,044 S * 10/2008 Chen D12/129
- D593,459 S * 6/2009 Liao D12/129
- D596,996 S * 7/2009 Yang D12/129
- D621,306 S * 8/2010 Liao D12/129
- D643,343 S * 8/2011 Song D12/129
- D661,624 S * 6/2012 Stopp D12/129
- D672,692 S * 12/2012 Jane Santamaria D12/129
- D677,605 S * 3/2013 Ide D12/129
- D715,702 S * 10/2014 Chen D12/129
- D721,015 S * 1/2015 Bassan D12/129

1 Claim, 14 Drawing Sheets



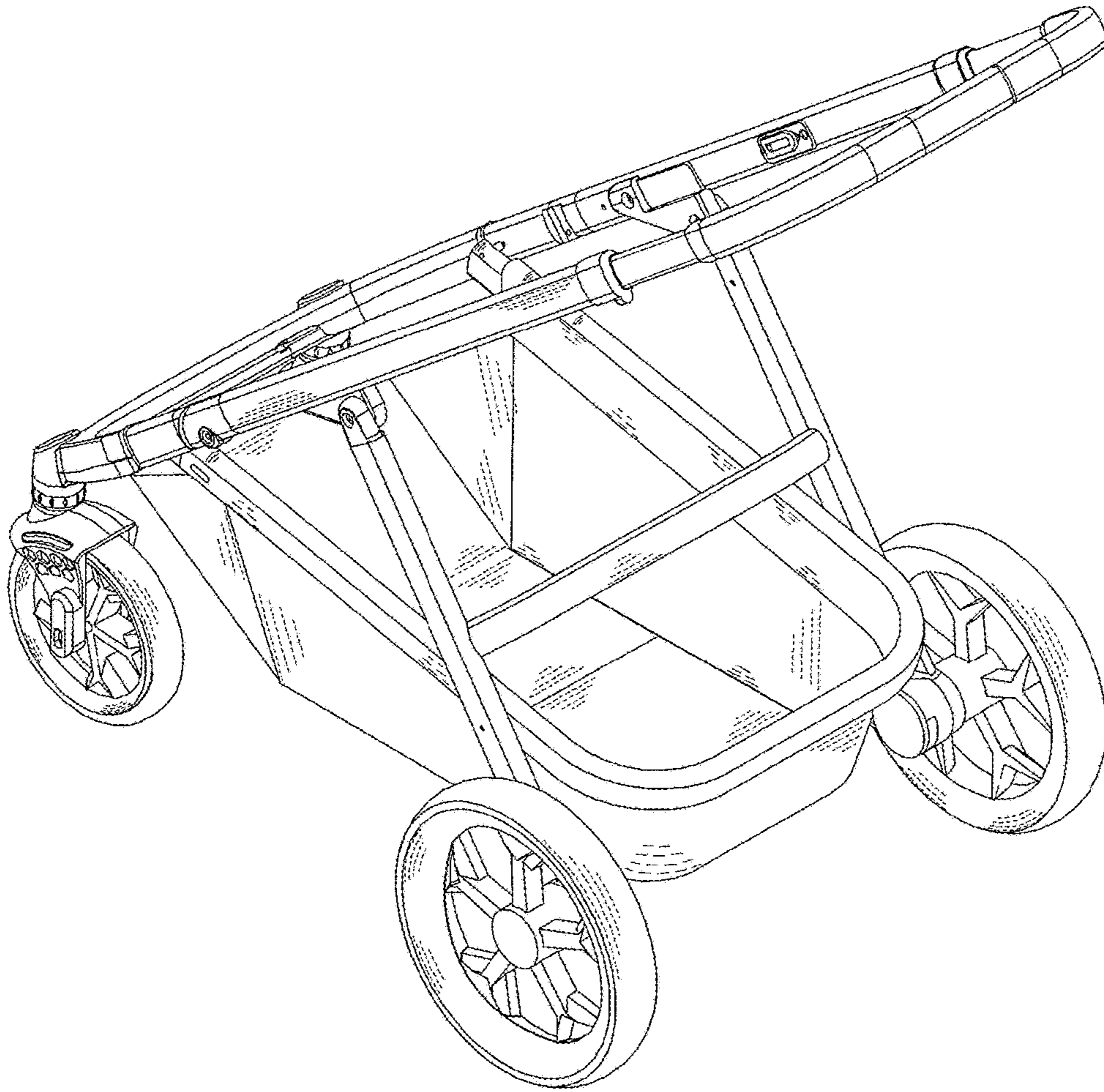


FIG. 1

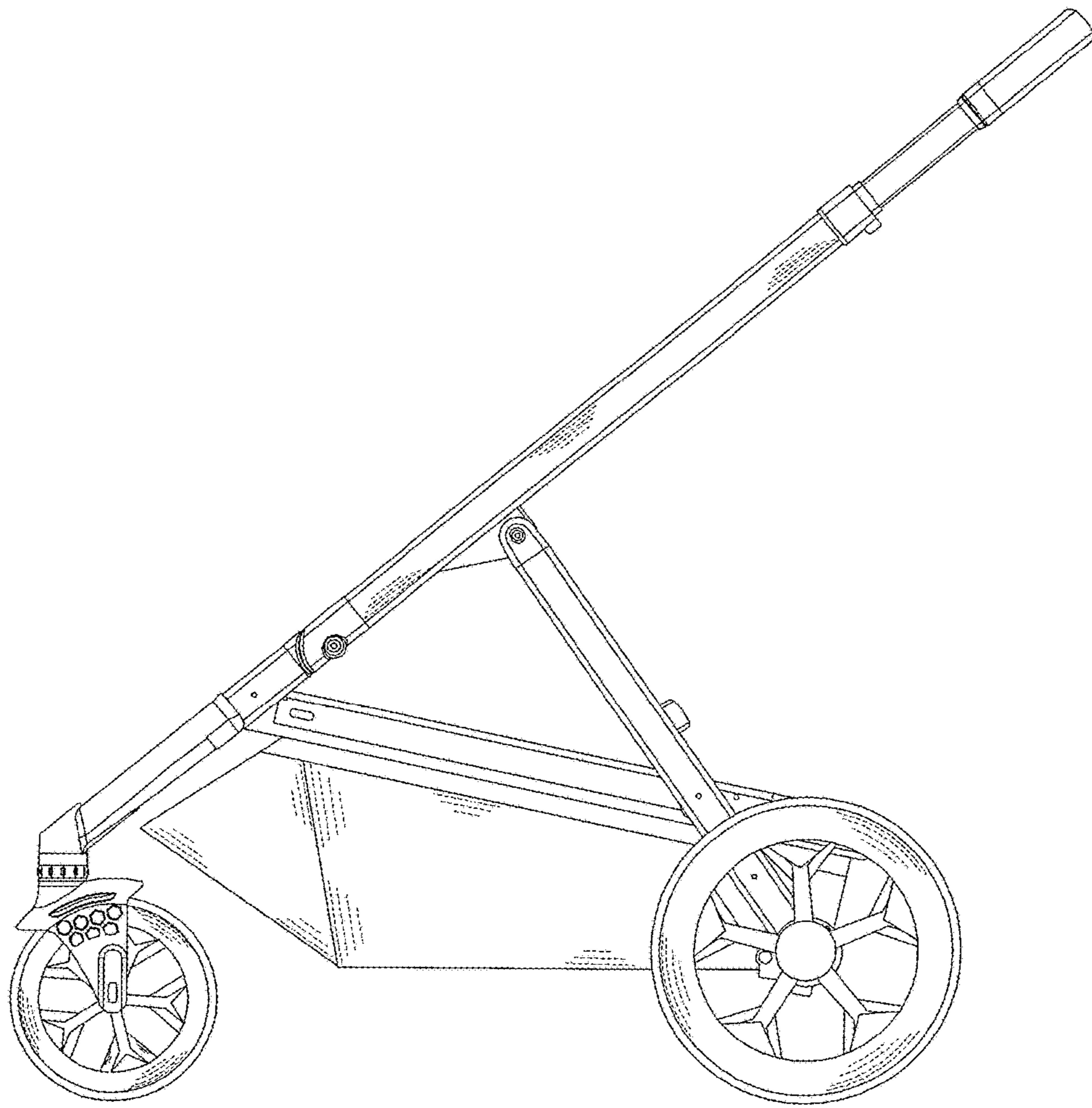


FIG. 2

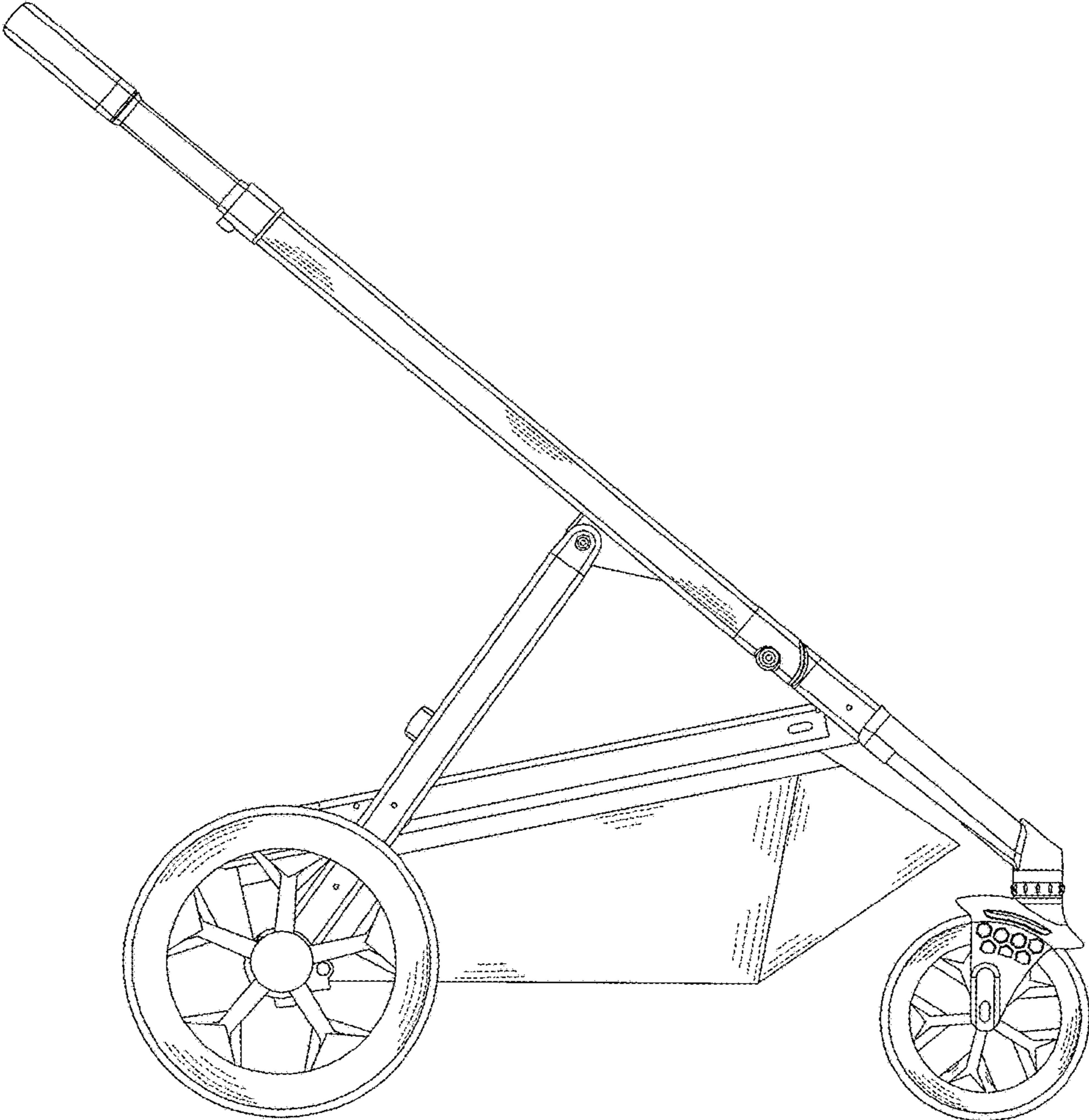


FIG. 3

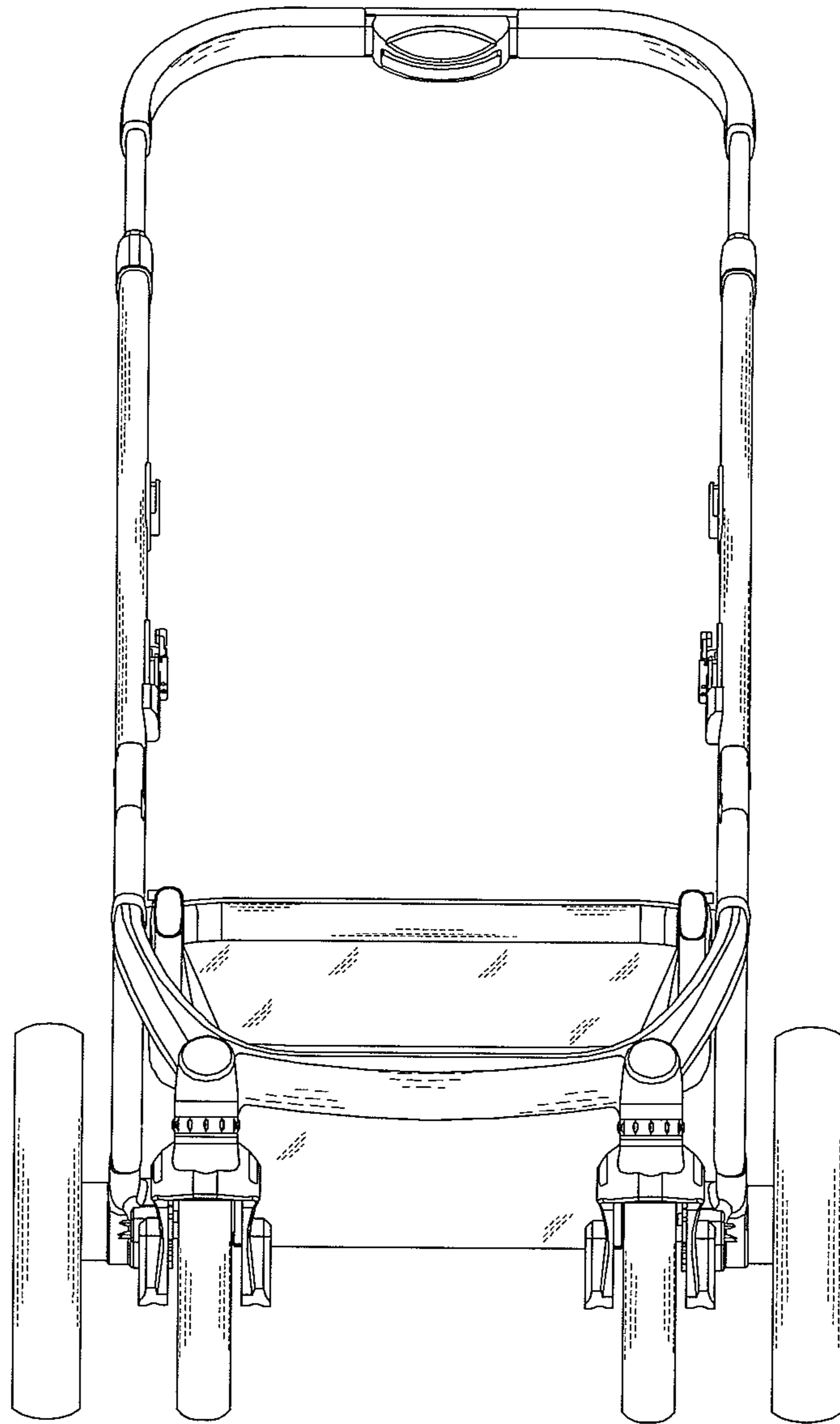


FIG. 4

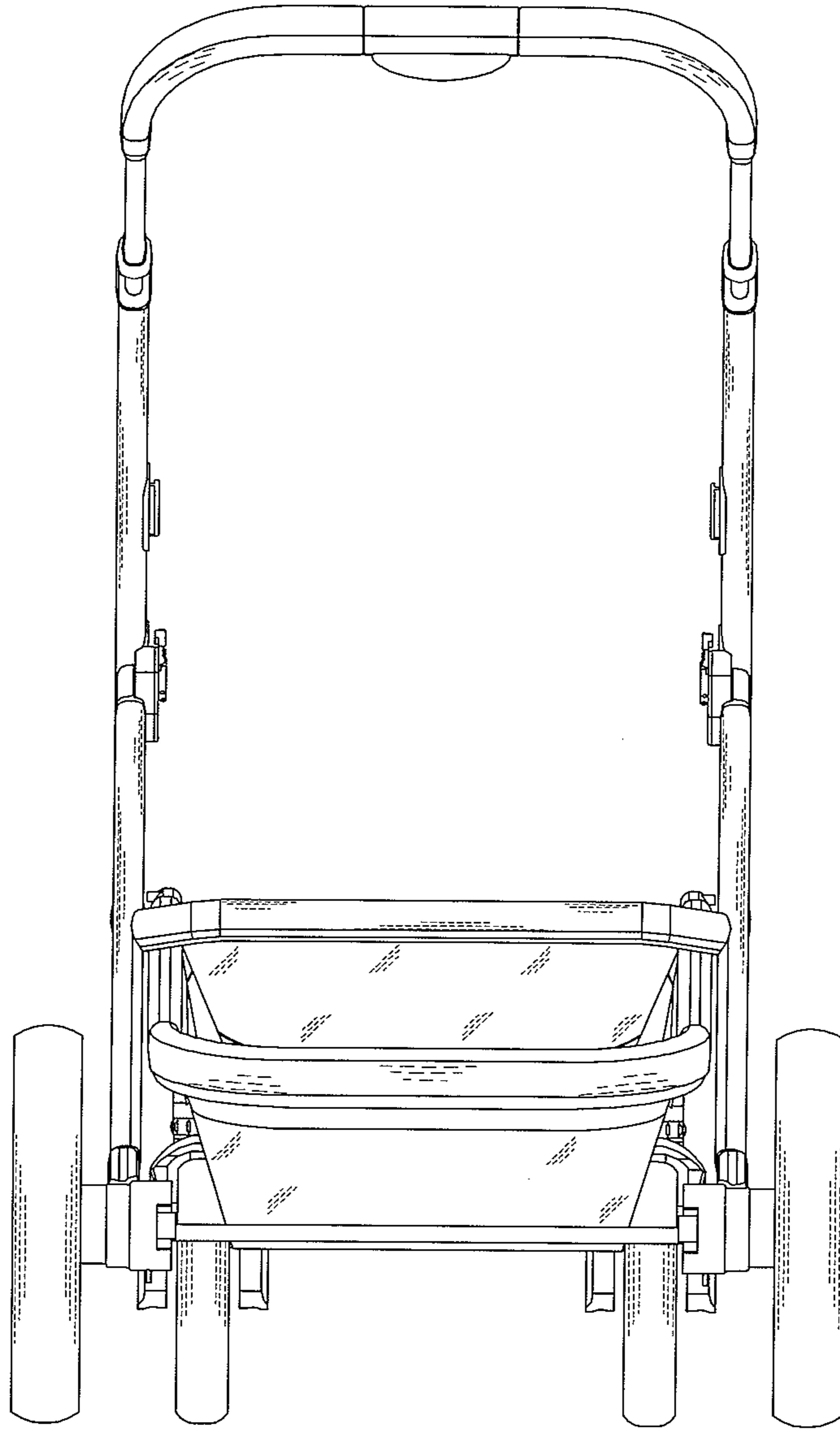


FIG. 5

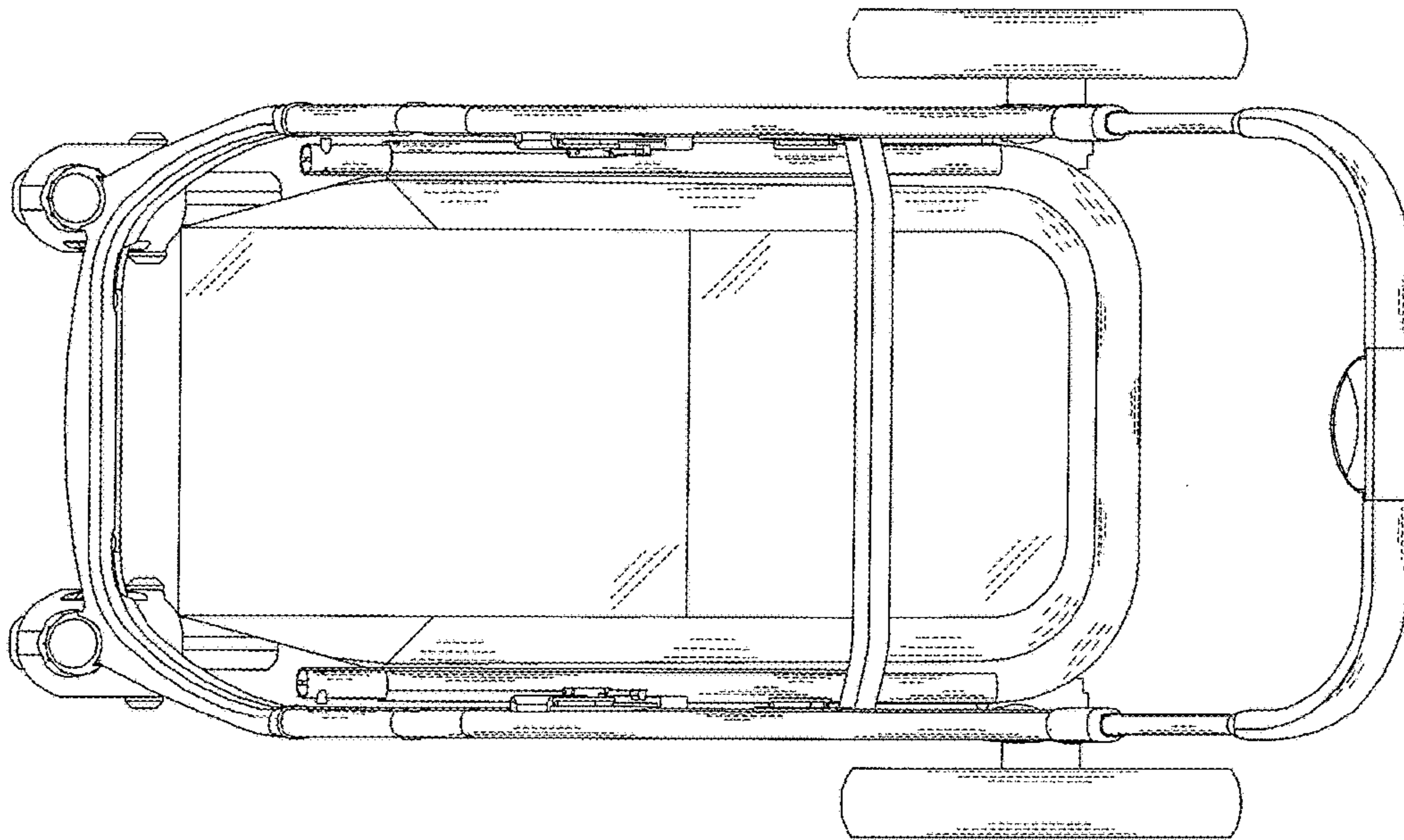


FIG. 6

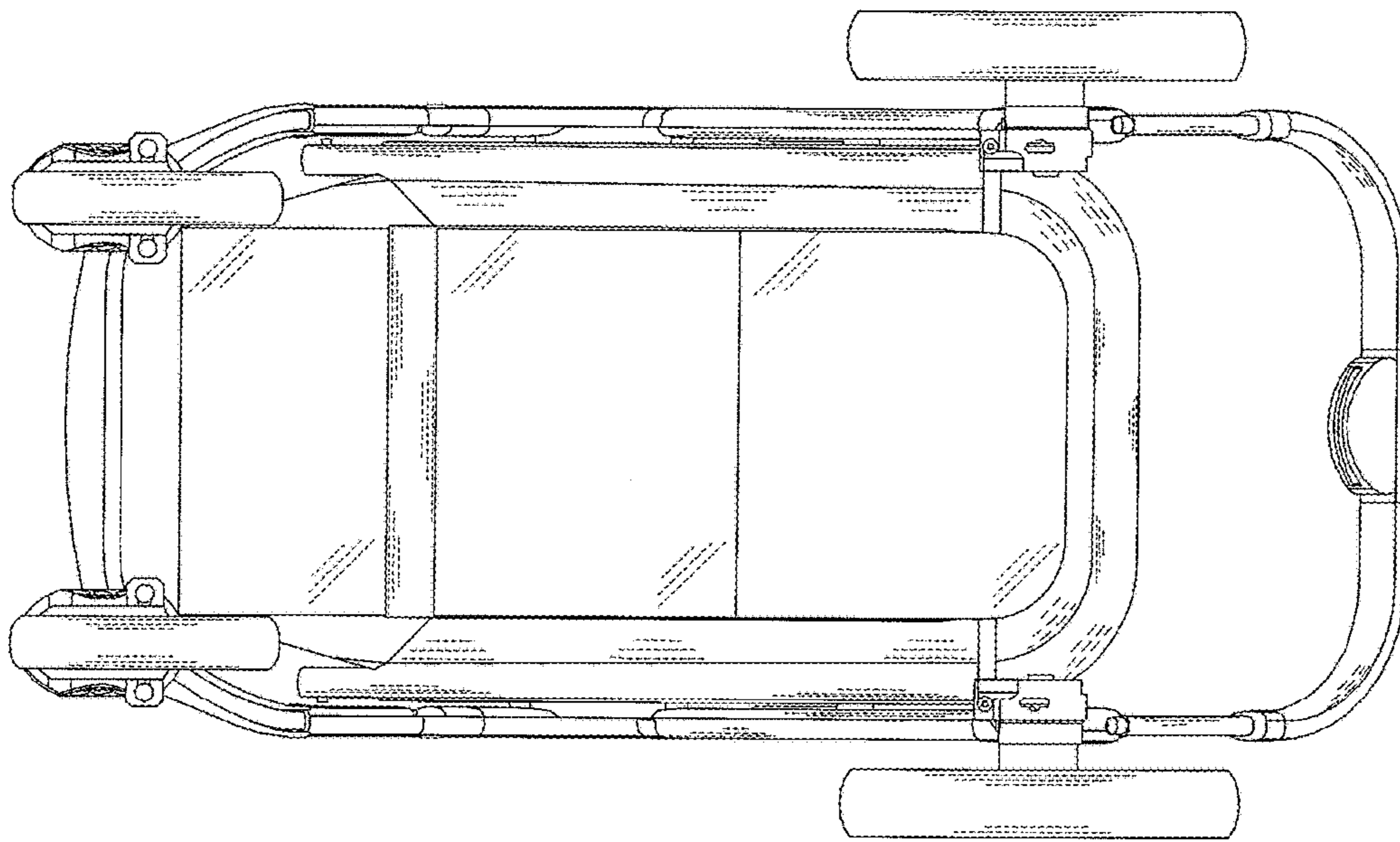


FIG. 7

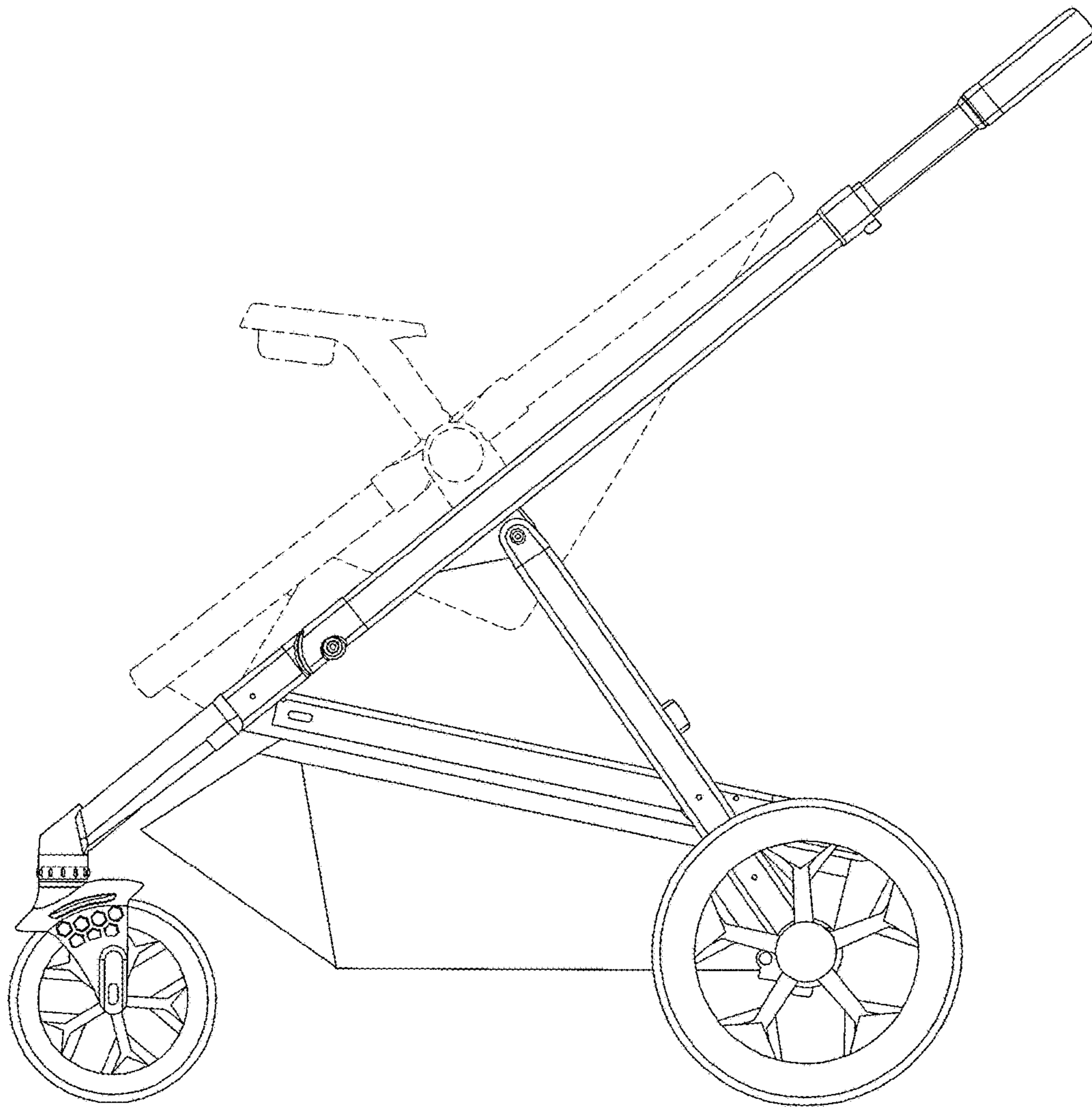


FIG. 8

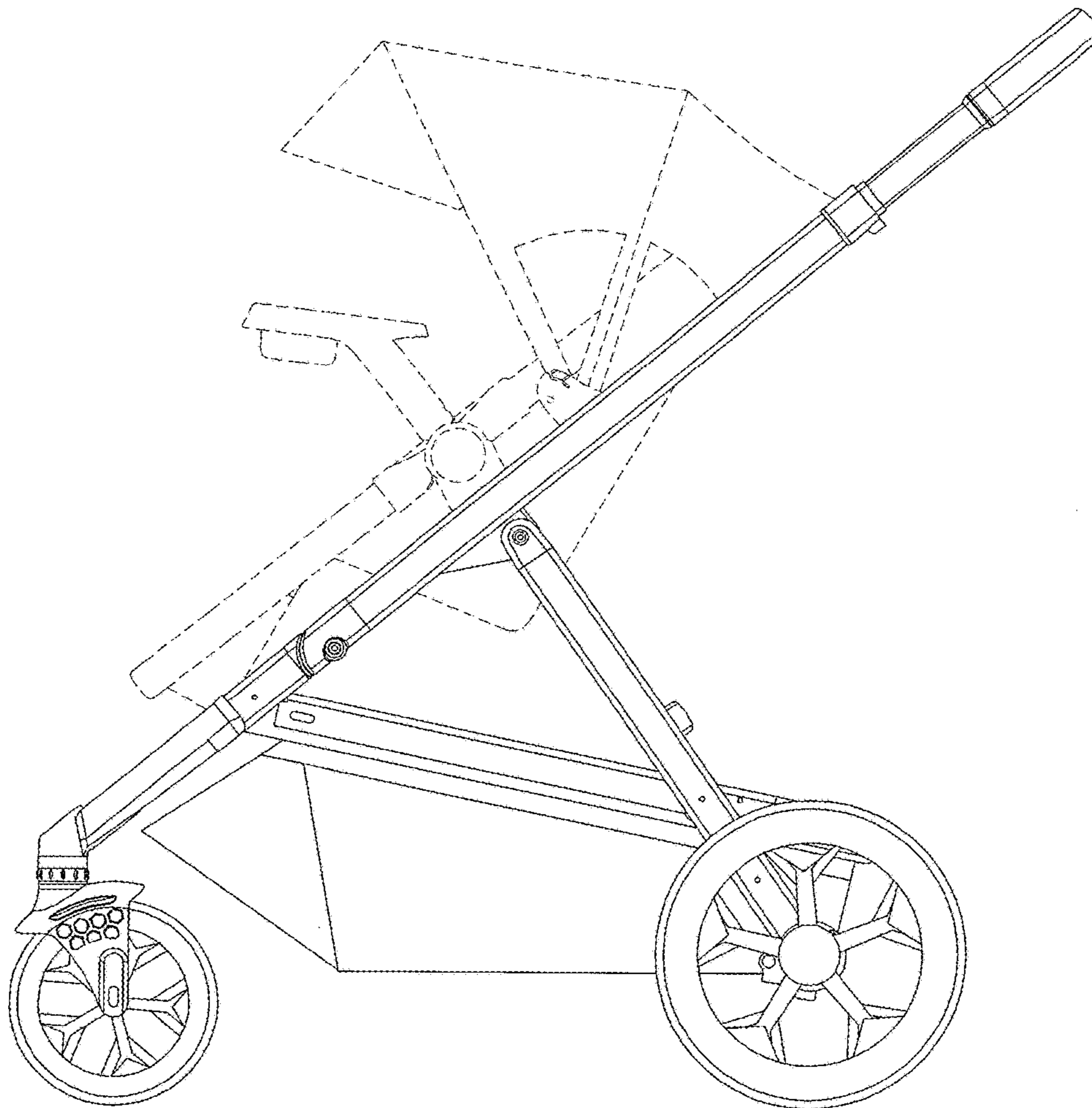


FIG. 9

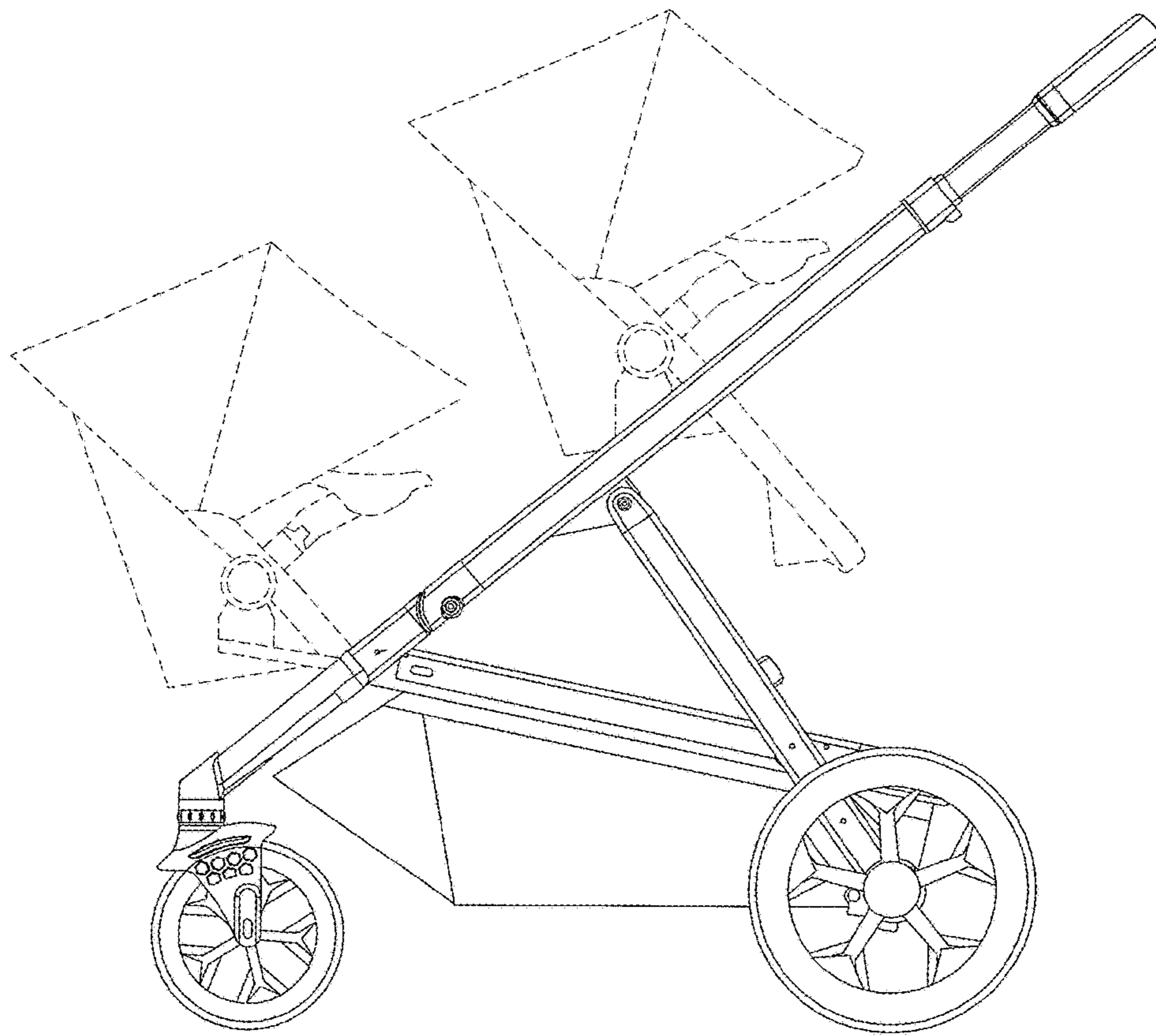


FIG. 10

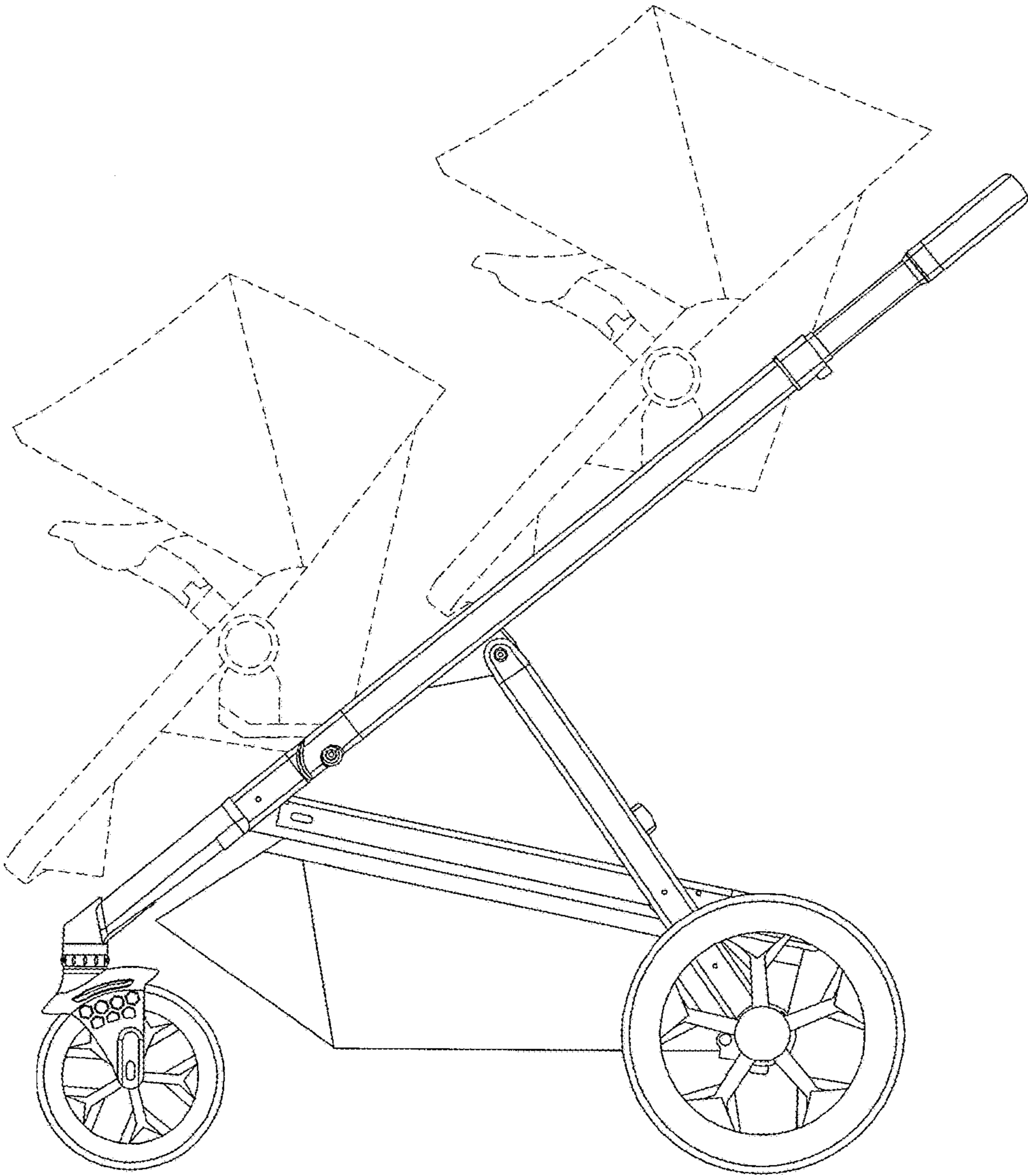


FIG. 11

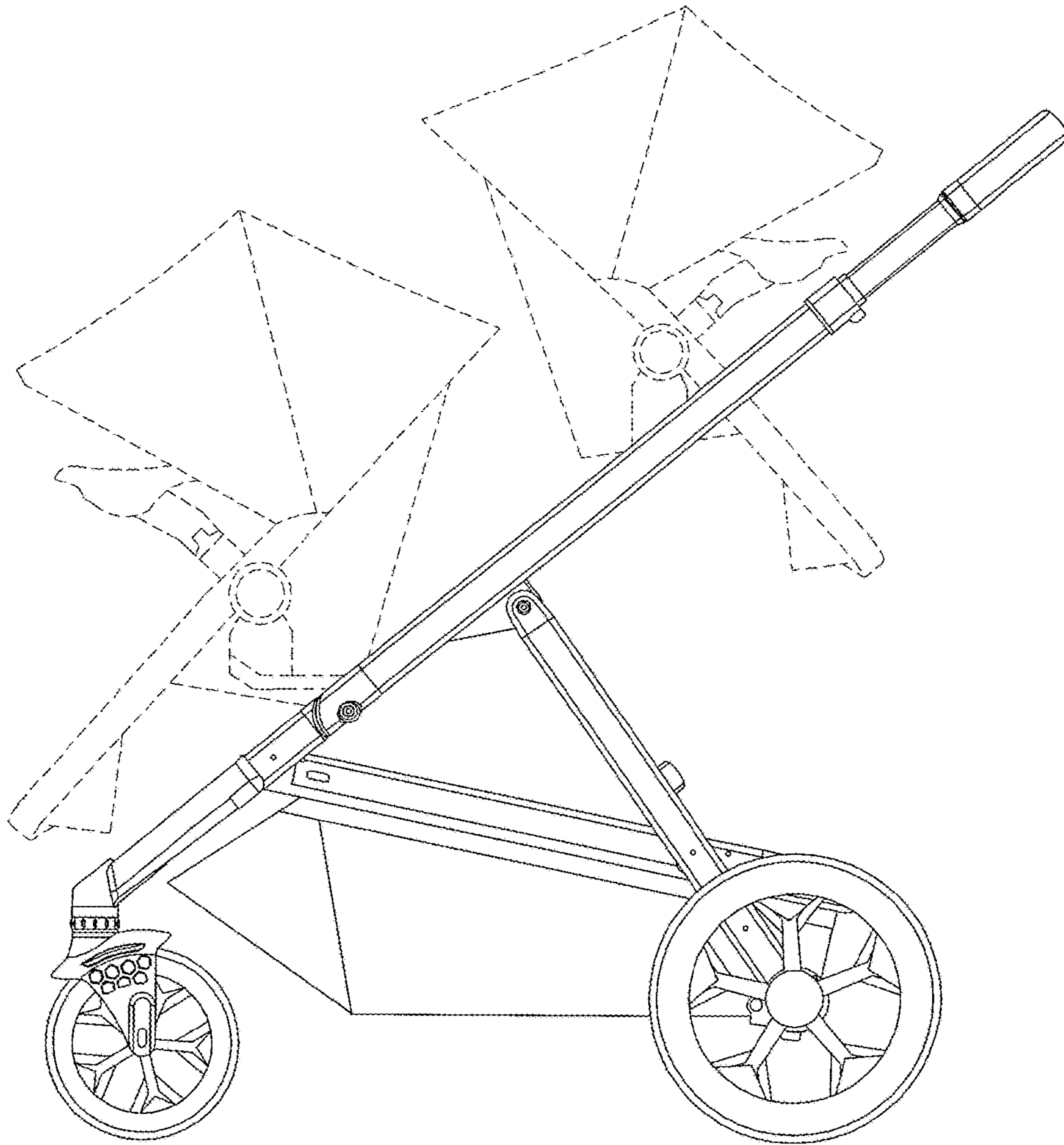


FIG. 12

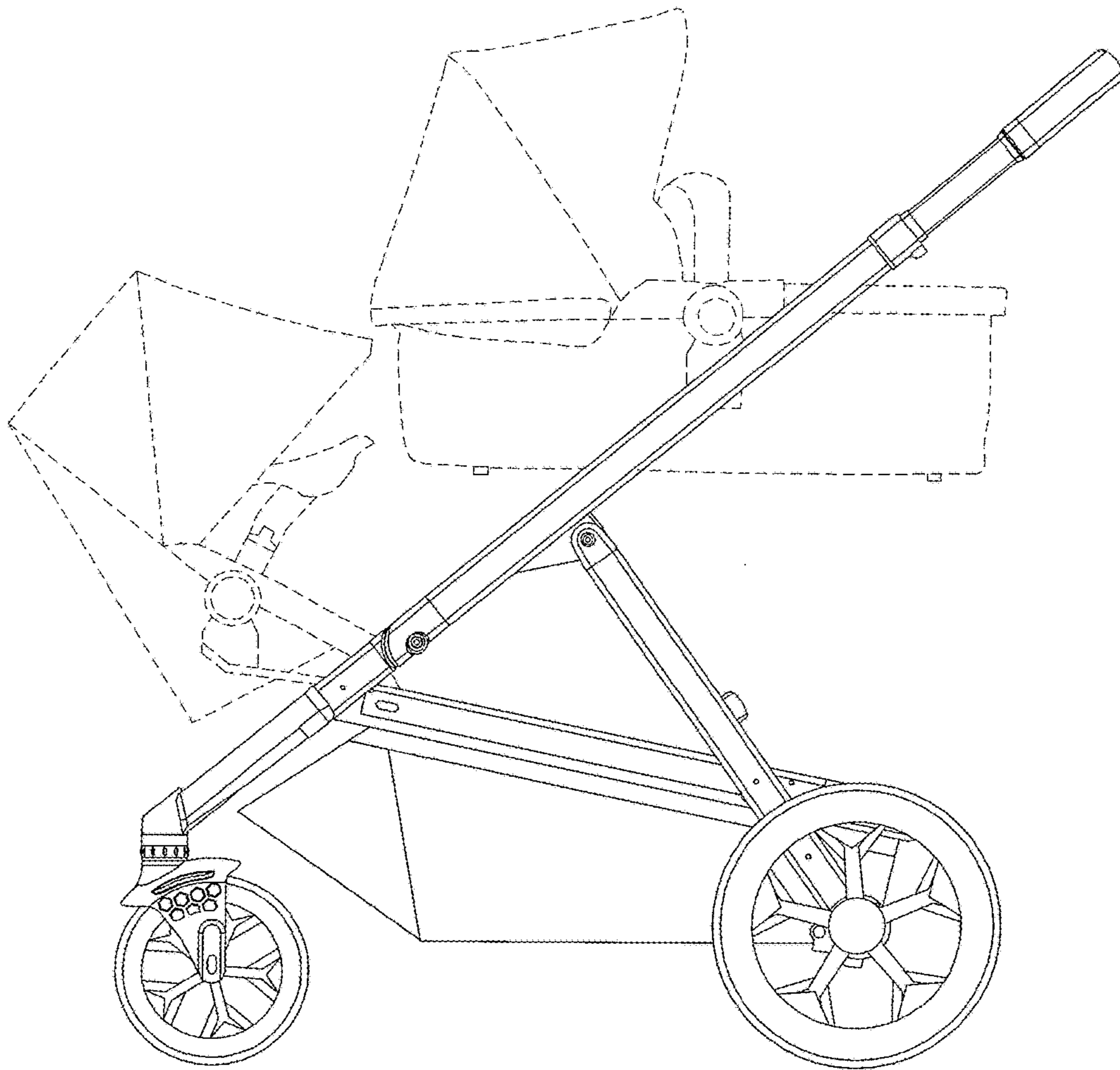


FIG. 13

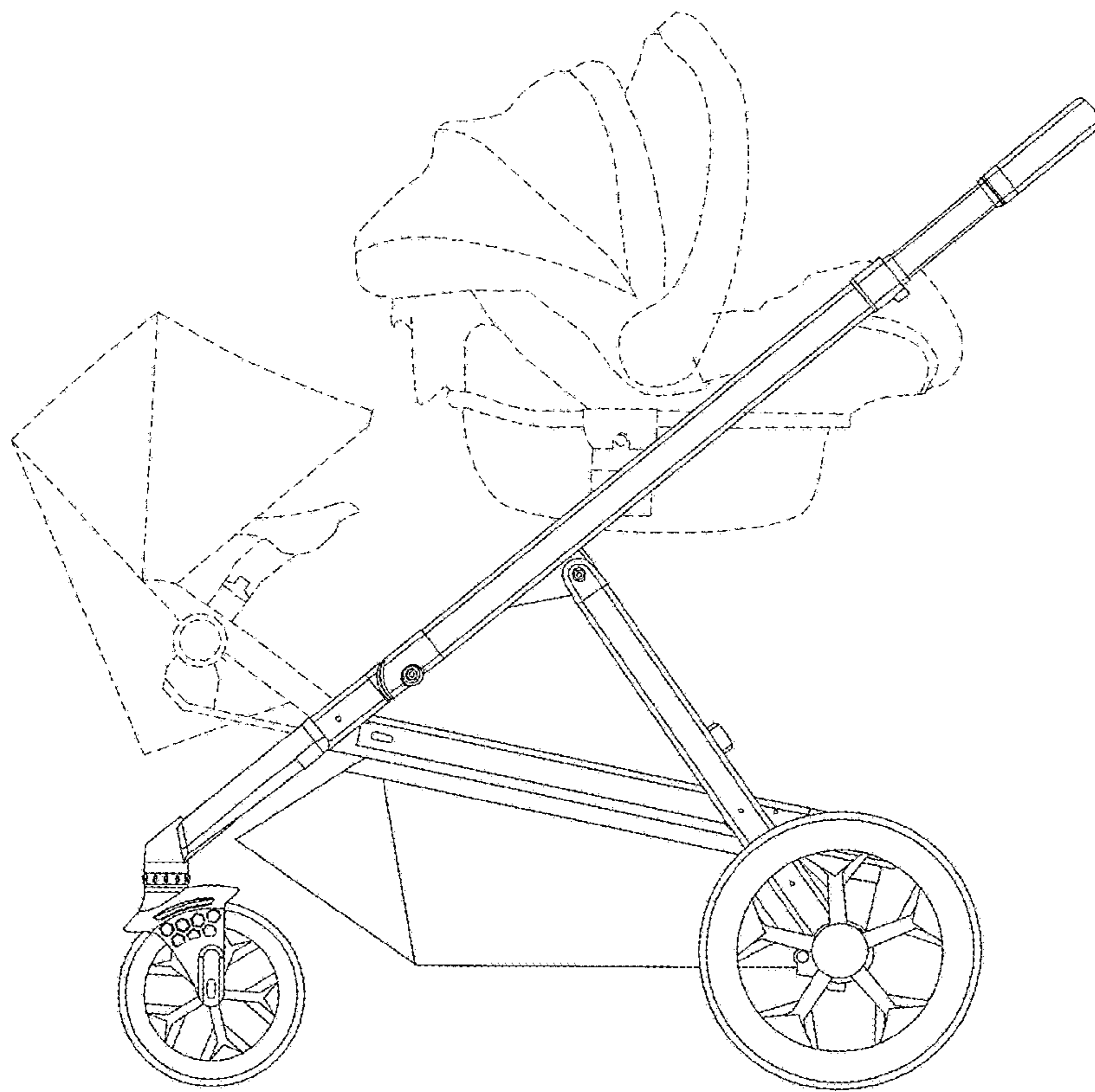


FIG. 14