



US00D794512S

(12) **United States Design Patent** (10) **Patent No.:** **US D794,512 S**  
**McGarry** (45) **Date of Patent:** **\*\* Aug. 15, 2017**

(54) **MOTORCYCLE CHAIN GUIDE**

(71) Applicant: **T.M. Designworks, LLC**, Phoenix, OR (US)

(72) Inventor: **Timothy McGarry**, Phoenix, OR (US)

(73) Assignee: **T.M. Designworks, LLC**, Phoenix, OR (US)

(\*\*) Term: **14 Years**

(21) Appl. No.: **29/492,738**

(22) Filed: **Jun. 2, 2014**

(51) **LOC (10) Cl.** ..... **12-11**

(52) **U.S. Cl.**  
USPC ..... **D12/127**

(58) **Field of Classification Search**

USPC ..... D12/110, 114, 126, 127; 474/69, 78-82, 474/91, 101, 109, 111, 135, 140, 474/144-146, 174; 280/304.3; 180/219  
CPC ..... B62J 13/00; B62M 9/16; F16H 7/18  
See application file for complete search history.

(56) **References Cited**

**U.S. PATENT DOCUMENTS**

D239,166	S *	3/1976	Juy	.....	D12/124
D367,250	S *	2/1996	Kartchner	.....	D12/127
D411,148	S *	6/1999	Swenson et al.	.....	D12/126
D443,238	S *	6/2001	Carlson	.....	D12/179
D532,720	S *	11/2006	McGarry	.....	D12/127
D592,559	S *	5/2009	McGarry	.....	D12/126
D600,600	S *	9/2009	McGarry	.....	D12/127
D601,465	S *	10/2009	McGarry	.....	D12/127
D621,417	S *	8/2010	McGarry	.....	D15/5
D621,851	S *	8/2010	McGarry	.....	D15/5
7,771,303	B2 *	8/2010	Fuse et al.	.....	474/144
2005/0159260	A1 *	7/2005	Gogo	.....	474/111
2007/0087877	A1 *	4/2007	McGarry	.....	474/144

**OTHER PUBLICATIONS**

Hilderbrand, JC. "LeoVince Carbon Fiber Parts Review." Motorcycle USA., Sep. 28, 2010 [online], [retrieved on Aug. 7, 2015]. Retrieved from the Internet <URL: <http://www.motorcycle-usa.com/2010/09/article/leovince-carbon-fiber-parts-review/>>.\*

Antonovich, Michael. "Pro Circuit Carbon Fiber Chain Guide." Transworld Motocross., Mar. 8, 2012 [online], [retrieved on Aug. 7, 2015]. Retrieved from the Internet <URL: <http://motocross.transworld.net/news/pro-circuit-carbon-fiber-chain-guide/#h9KYh6tlcbBUyjsQ.97>>.\*

\* cited by examiner

*Primary Examiner* — Darlington Ly

(74) *Attorney, Agent, or Firm* — Alleman Hall Creasman & Tuttle LLP

(57) **CLAIM**

The ornamental design for a motorcycle chain guide, as shown and described.

**DESCRIPTION**

FIG. 1 is a rear perspective view of a design for a motorcycle chain guide according to the present invention.

FIG. 2 is a front perspective view of the motorcycle chain guide of FIG. 1.

FIG. 3 is a right side view of the motorcycle chain guide of FIG. 1.

FIG. 4 is a left side view of the motorcycle chain guide of FIG. 1.

FIG. 5 is a top view of the motorcycle chain guide of FIG. 1.

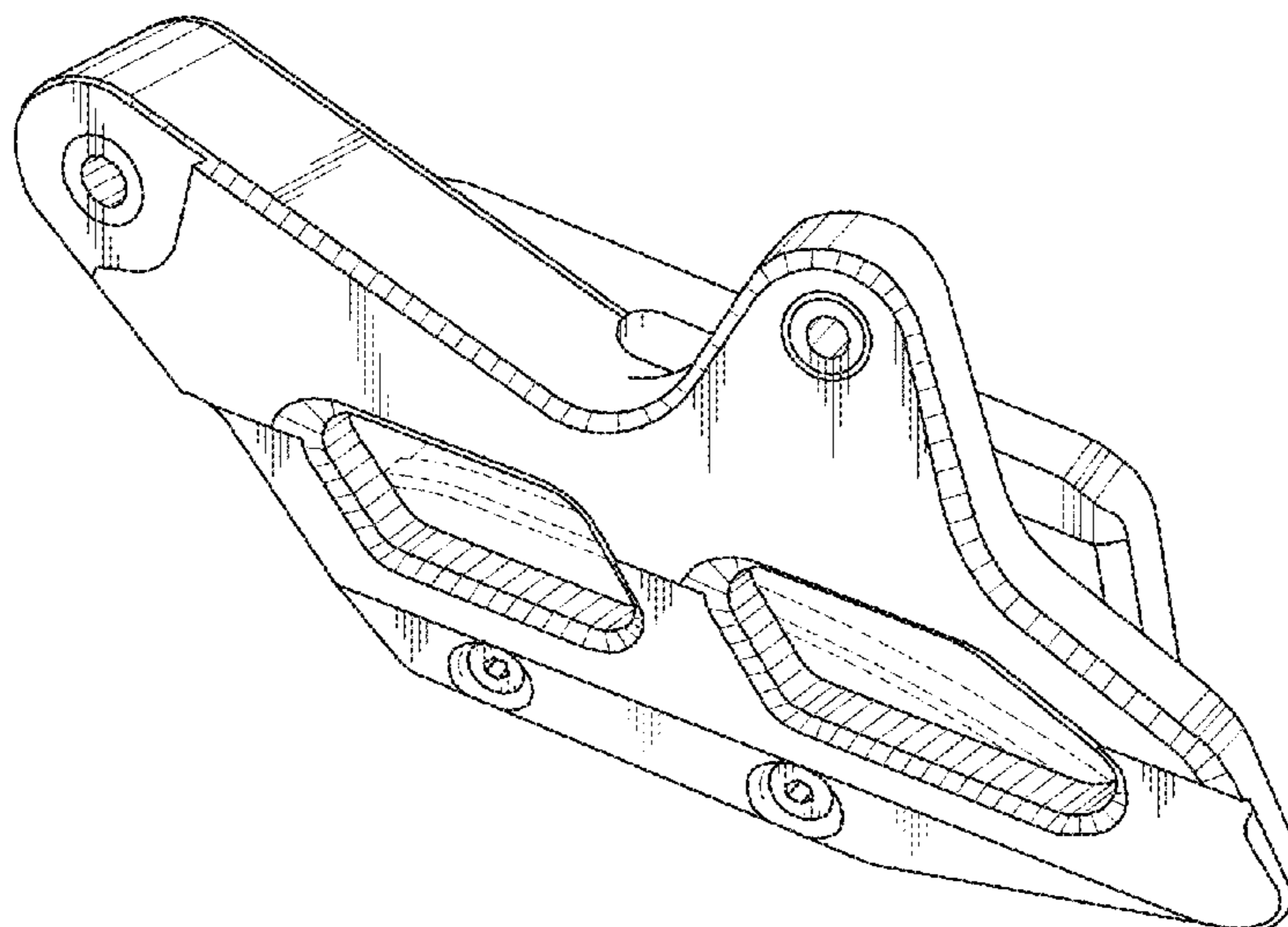
FIG. 6 is a bottom view of the motorcycle chain guide of FIG. 1.

FIG. 7 is a front view of the motorcycle chain guide of FIG. 1; and,

FIG. 8 is a rear view of the motorcycle chain guide of FIG. 1.

The dashed lines in the drawings illustrate portions of the motorcycle chain guide that form no part of the claimed design.

**1 Claim, 3 Drawing Sheets**



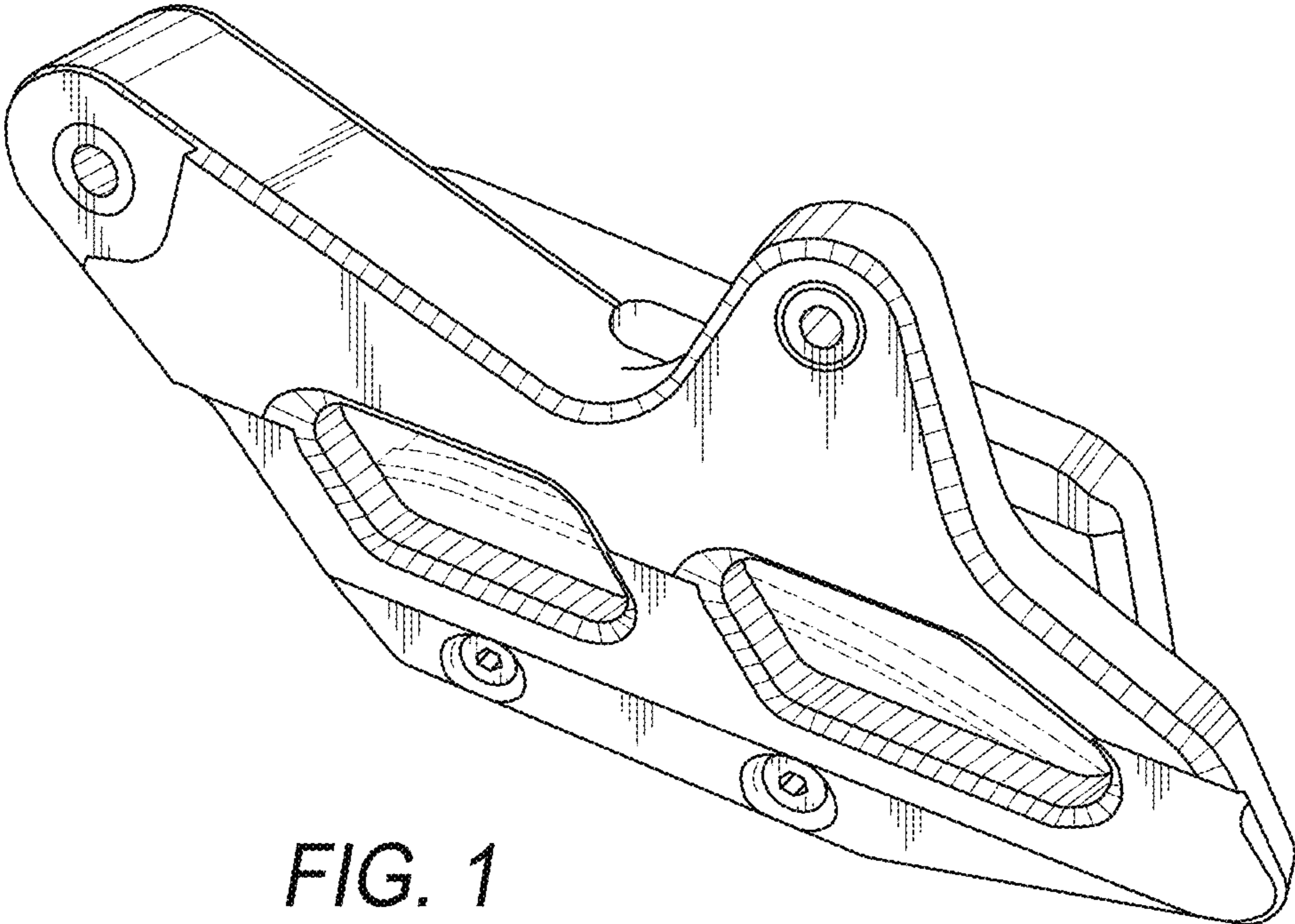


FIG. 1

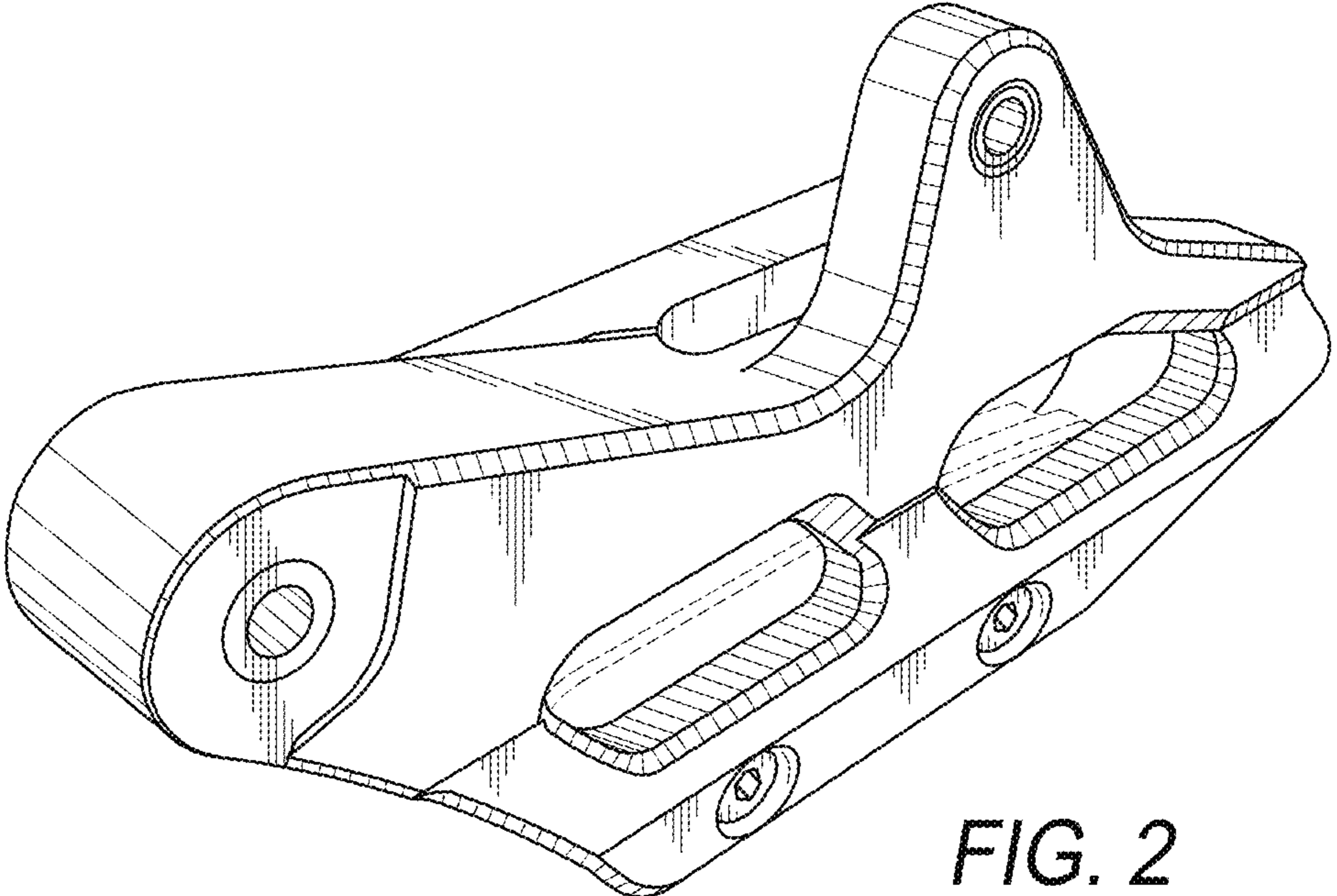
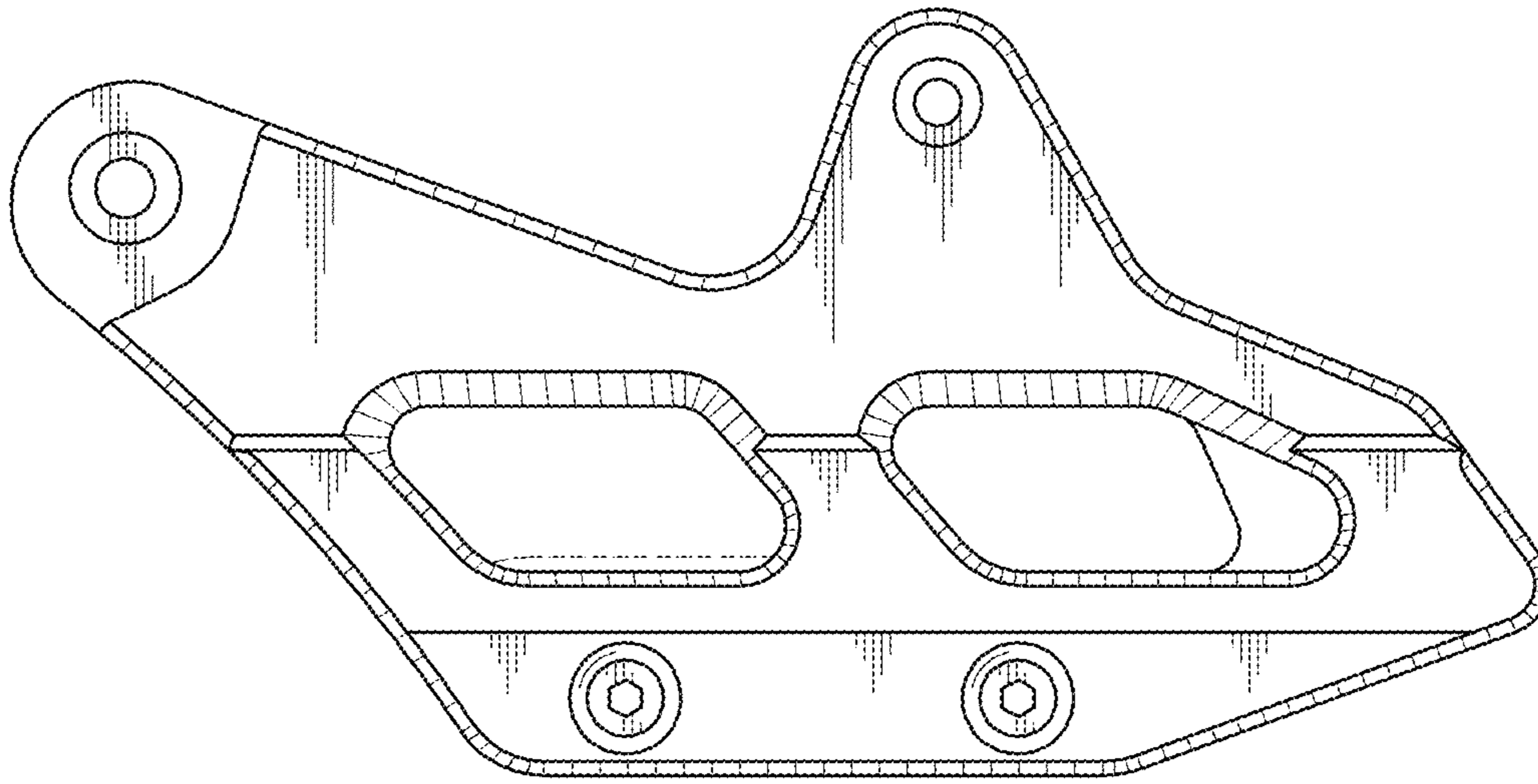
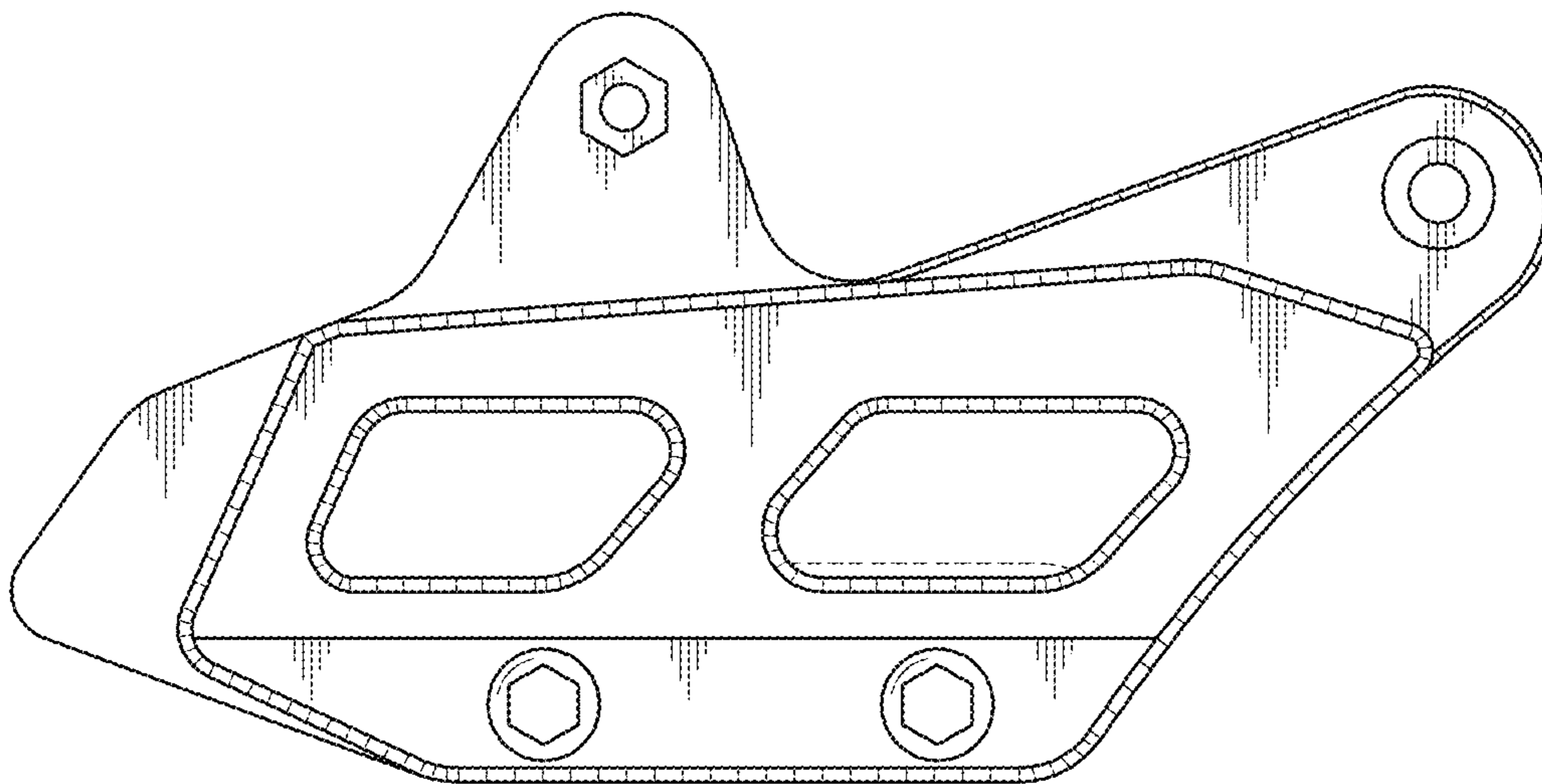


FIG. 2



*FIG. 3*



*FIG. 4*

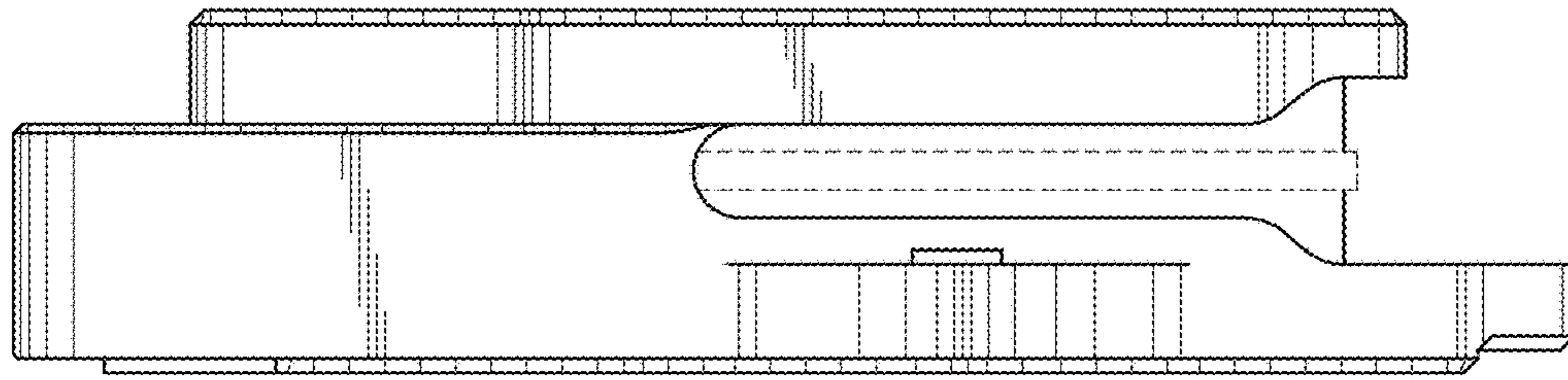


FIG. 5

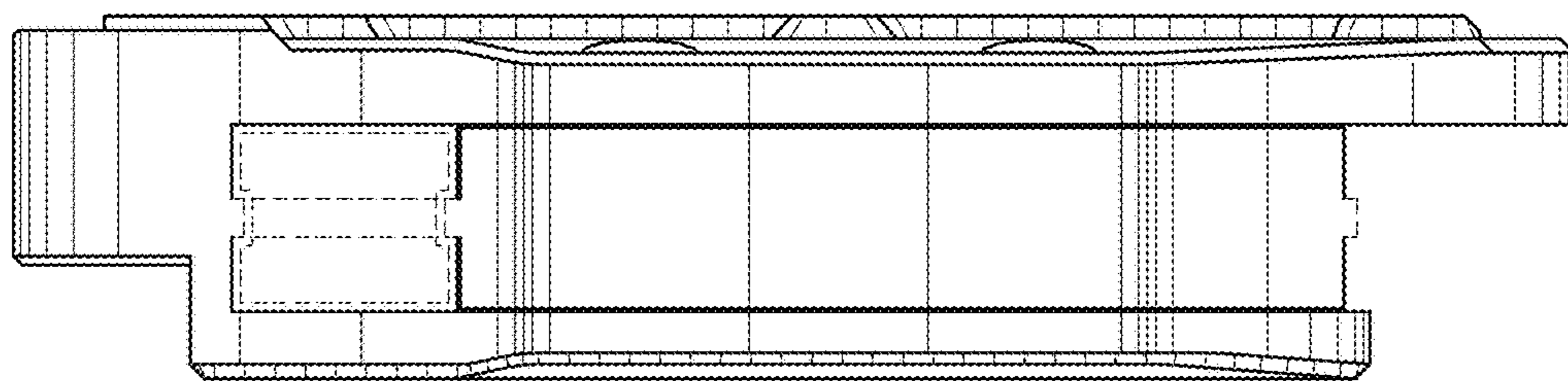


FIG. 6

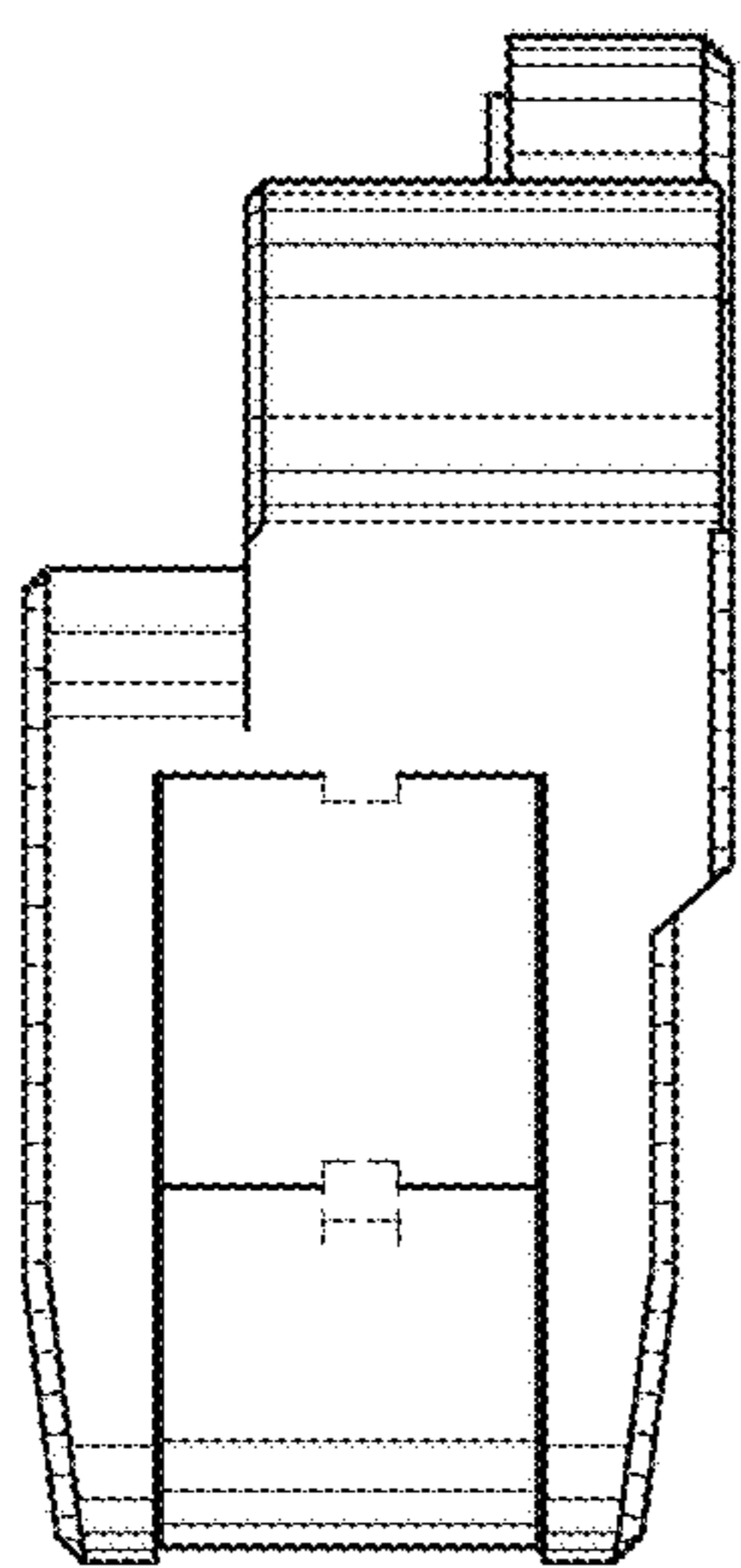


FIG. 7

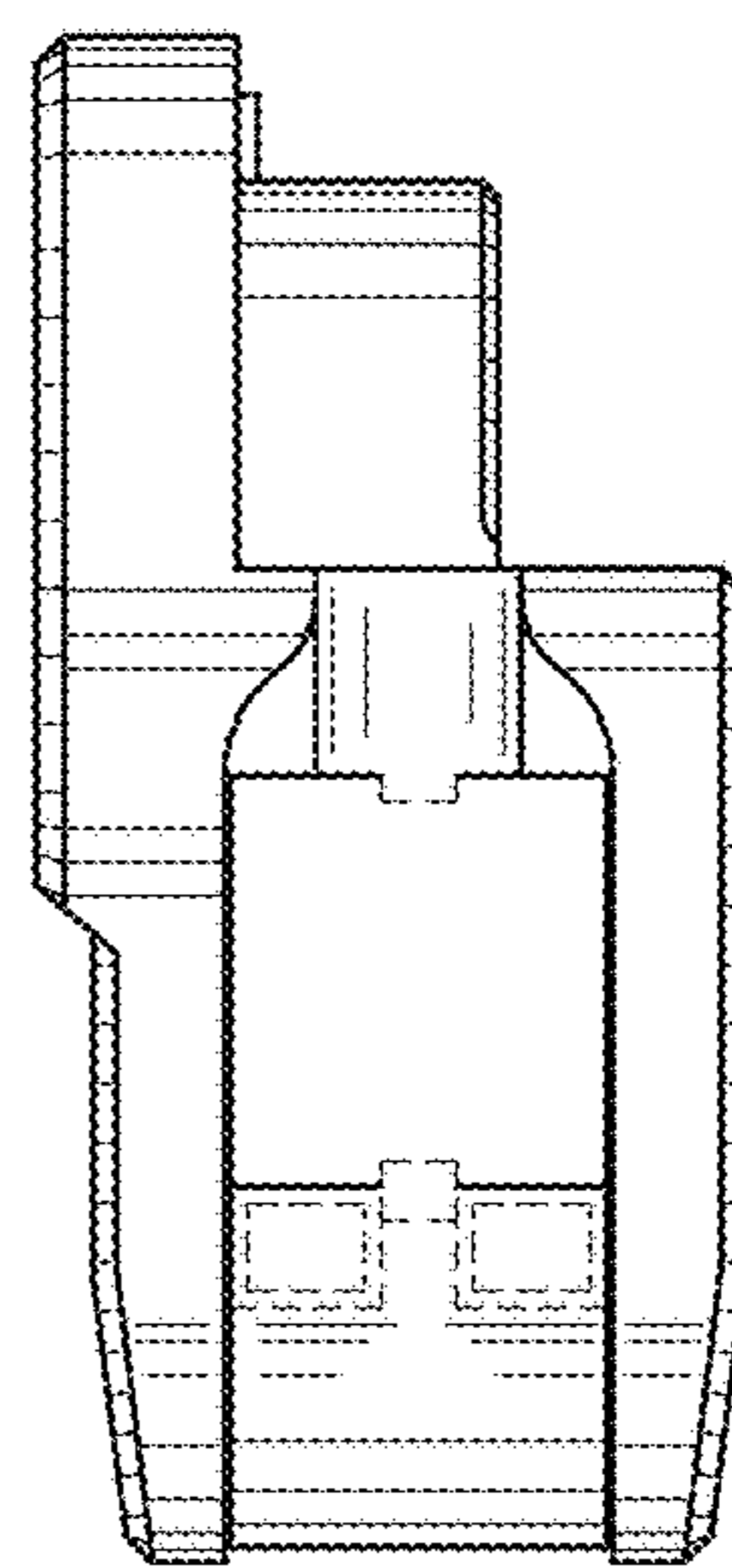


FIG. 8