



US00D794507S

(12) **United States Design Patent**  
**Kampen**

(10) **Patent No.: US D794,507 S**

(45) **Date of Patent: \*\* Aug. 15, 2017**

(54) **MOTORCYCLE WINDSCREEN**

(71) Applicant: **Andrew Kampen**, Richfield, MN (US)

(72) Inventor: **Andrew Kampen**, Richfield, MN (US)

(\*\*) Term: **15 Years**

(21) Appl. No.: **29/555,558**

(22) Filed: **Feb. 23, 2016**

(51) **LOC (10) Cl.** ..... **12-16**

(52) **U.S. Cl.**  
USPC ..... **D12/82**

(58) **Field of Classification Search**  
USPC ..... D12/182-183, 317  
CPC ..... B32B 3/00  
See application file for complete search history.

(56) **References Cited**

**U.S. PATENT DOCUMENTS**

D283,811 S *	5/1986	Sullivan	.....	D12/182
D284,181 S *	6/1986	Abe	.....	D12/182
D285,428 S *	9/1986	Cline	.....	D12/181
D295,277 S *	4/1988	Preisler	.....	D12/182
D431,804 S *	10/2000	Willey	.....	D12/182
D503,911 S *	4/2005	Hanagan	.....	D12/182
D533,490 S *	12/2006	Tsukasaki	.....	D12/182

D538,213 S *	3/2007	Fukuyama	.....	D12/182
D632,235 S *	2/2011	Klock	.....	D12/182
D723,437 S *	3/2015	McNeely	.....	D12/182
D776,586 S *	1/2017	Schanz	.....	D12/182

\* cited by examiner

*Primary Examiner* — Katrina A Betton

(74) *Attorney, Agent, or Firm* — Vidas, Arrett & Steinkraus, P.A.

(57) **CLAIM**

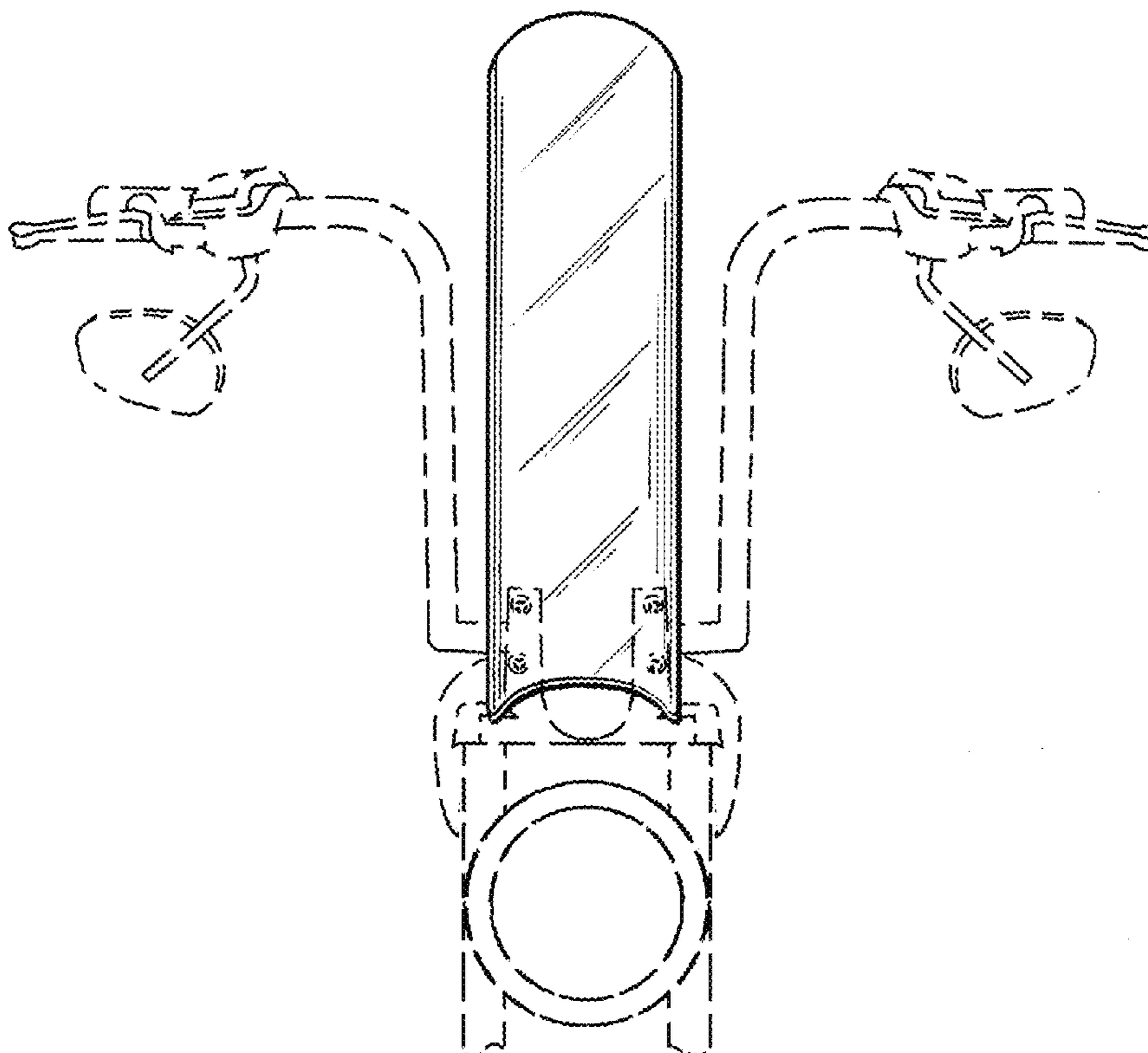
The ornamental design for a motorcycle windscreen, as shown and described.

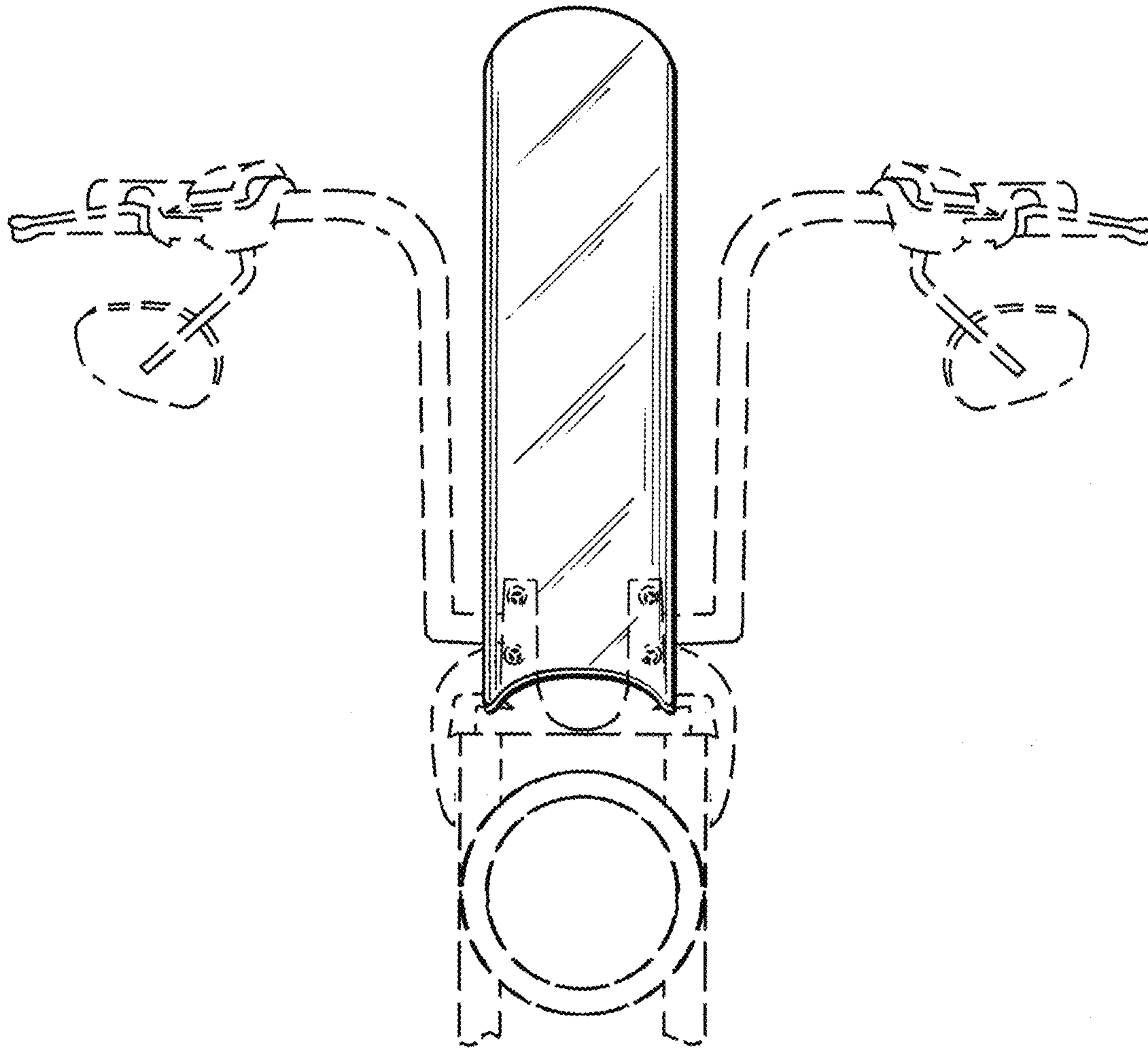
**DESCRIPTION**

FIG. 1 is a front perspective view of the motorcycle windscreen, with a portion of a motorcycle in broken lines; FIG. 2 is a top view of the motorcycle windscreen; FIG. 3 is a bottom view of the motorcycle windscreen; FIG. 4 is a front elevation view of the motorcycle windscreen; FIG. 5 is a rear elevation view of the motorcycle windscreen; and, FIG. 6 is a side elevation view of the motorcycle windscreen.

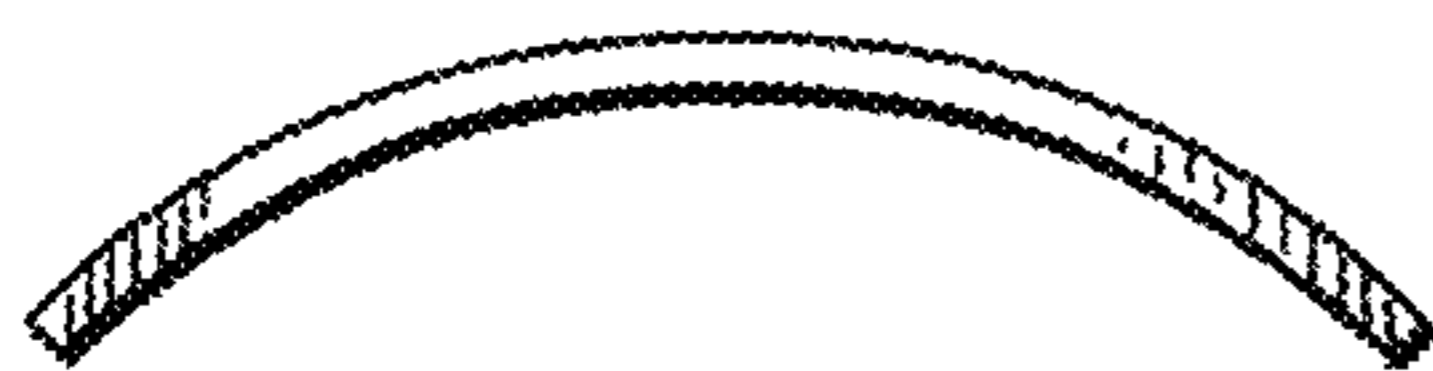
The broken lines in FIG. 1 of the motorcycle windscreen are for the purpose of illustrating environment, and form no part of the claimed design.

**1 Claim, 2 Drawing Sheets**





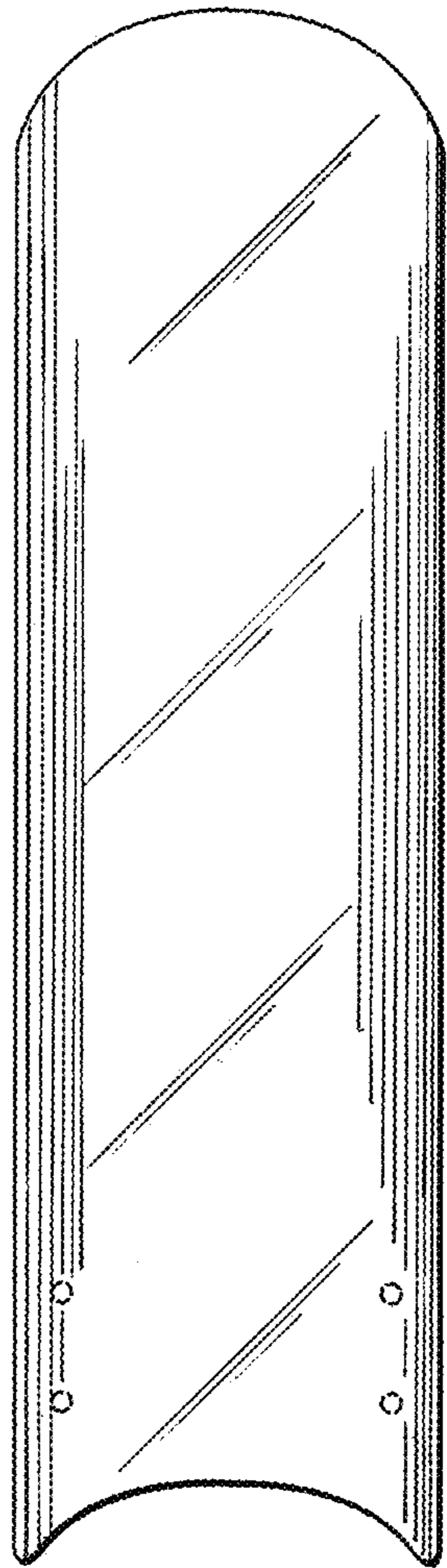
*Fig. 1*



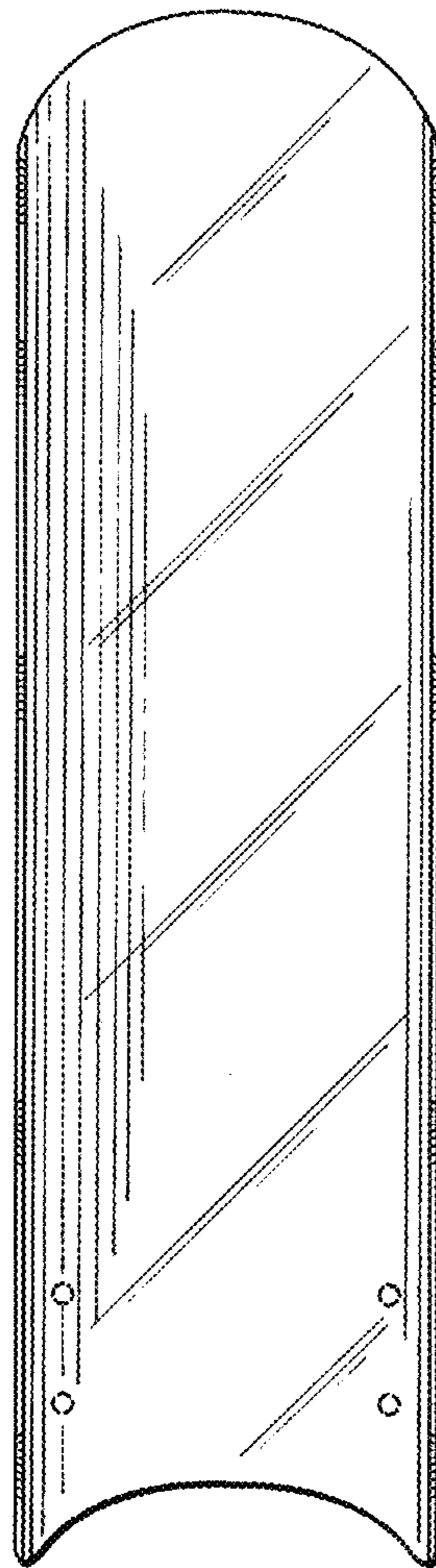
*Fig. 2*



*Fig. 3*



*Fig. 4*



*Fig. 5*



*Fig. 6*