



US00D794505S

(12) **United States Design Patent**  
**Flores**

(10) **Patent No.:** **US D794,505 S**  
(45) **Date of Patent:** **\*\* Aug. 15, 2017**

- (54) **SNOWMOBILE**
- (71) Applicant: **Julio Flores**, Lakewood, CA (US)
- (72) Inventor: **Julio Flores**, Lakewood, CA (US)
- (73) Assignee: **YAMAHA HATSUDOKI**  
**KABUSHIKI KAISHA (JP)**
- (\*\*) Term: **15 Years**
- (21) Appl. No.: **29/556,209**
- (22) Filed: **Feb. 29, 2016**
- (51) **LOC (10) Cl.** ..... **12-14**
- (52) **U.S. Cl.**  
USPC ..... **D12/7**
- (58) **Field of Classification Search**  
USPC ..... D12/7, 8, 10, 9  
CPC ..... B62B 15/007; B62B 17/06; B62B 19/02;  
B62M 27/00; B62M 27/02; B62M  
2027/025; B62M 2027/026; B62M  
2027/028; A63C 5/00; B60K 11/04  
See application file for complete search history.

- 8,381,857 B1 \* 2/2013 Sampson ..... B62M 27/00  
180/190
- D723,976 S \* 3/2015 Petit ..... D12/7
- D755,671 S \* 5/2016 Flores ..... D12/7
- 2009/0322045 A1 \* 12/2009 Lemieux ..... B62B 17/04  
280/28
- 2010/0108427 A1 \* 5/2010 Richer ..... B60K 13/04  
180/309
- 2011/0290574 A1 \* 12/2011 Maltais ..... B62M 27/02  
180/190

\* cited by examiner

*Primary Examiner* — T. Chase Nelson  
*Assistant Examiner* — Ania Aman  
(74) *Attorney, Agent, or Firm* — Ostrolenk Faber LLP

(57) **CLAIM**

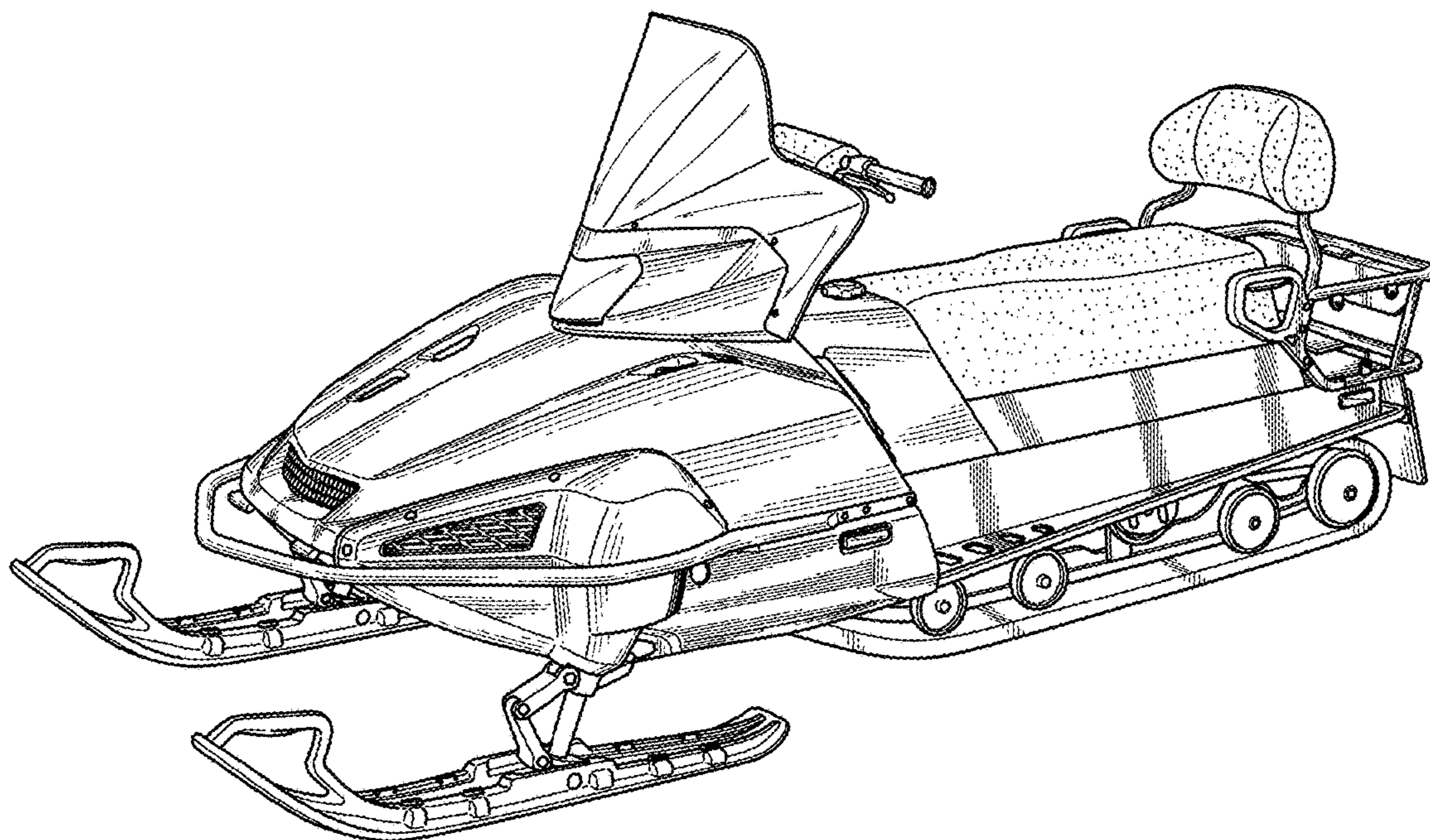
The ornamental design for a snowmobile, as shown.

**DESCRIPTION**

FIG. 1 is a front, left, perspective view of a snowmobile showing my new design;  
FIG. 2 is a rear, right, perspective view thereof;  
FIG. 3 is a front view thereof;  
FIG. 4 is a rear view thereof;  
FIG. 5 is a right side view thereof;  
FIG. 6 is a left side view thereof;  
FIG. 7 is a top view thereof; and,  
FIG. 8 is a bottom view thereof.

**1 Claim, 8 Drawing Sheets**

- (56) **References Cited**  
U.S. PATENT DOCUMENTS  
D580,824 S \* 11/2008 Longpre ..... D12/7  
D592,099 S \* 5/2009 Longpre ..... D12/7  
D596,530 S \* 7/2009 Petit ..... D12/7  
D601,453 S \* 10/2009 Brew ..... D12/7



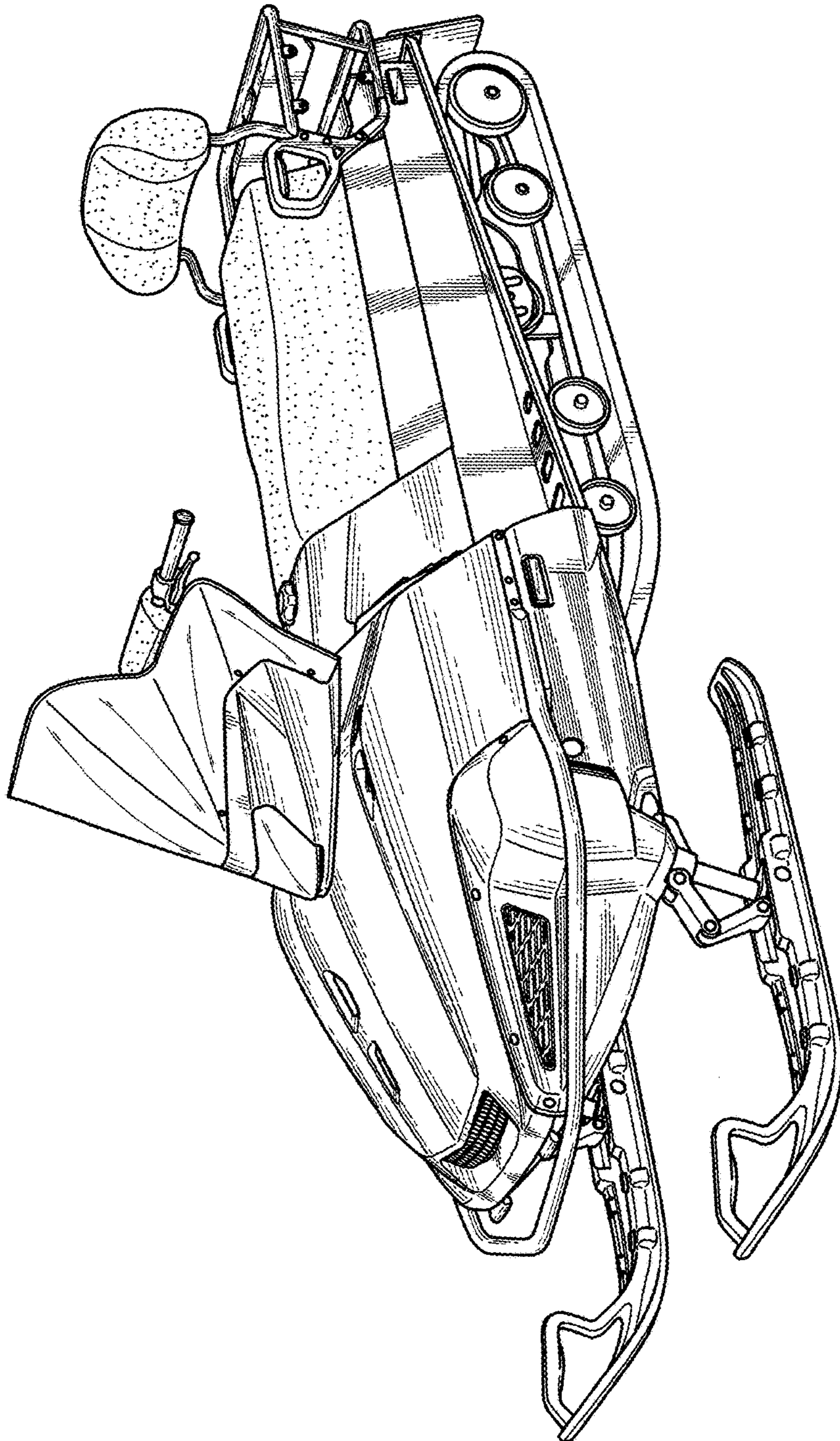


FIG. 1

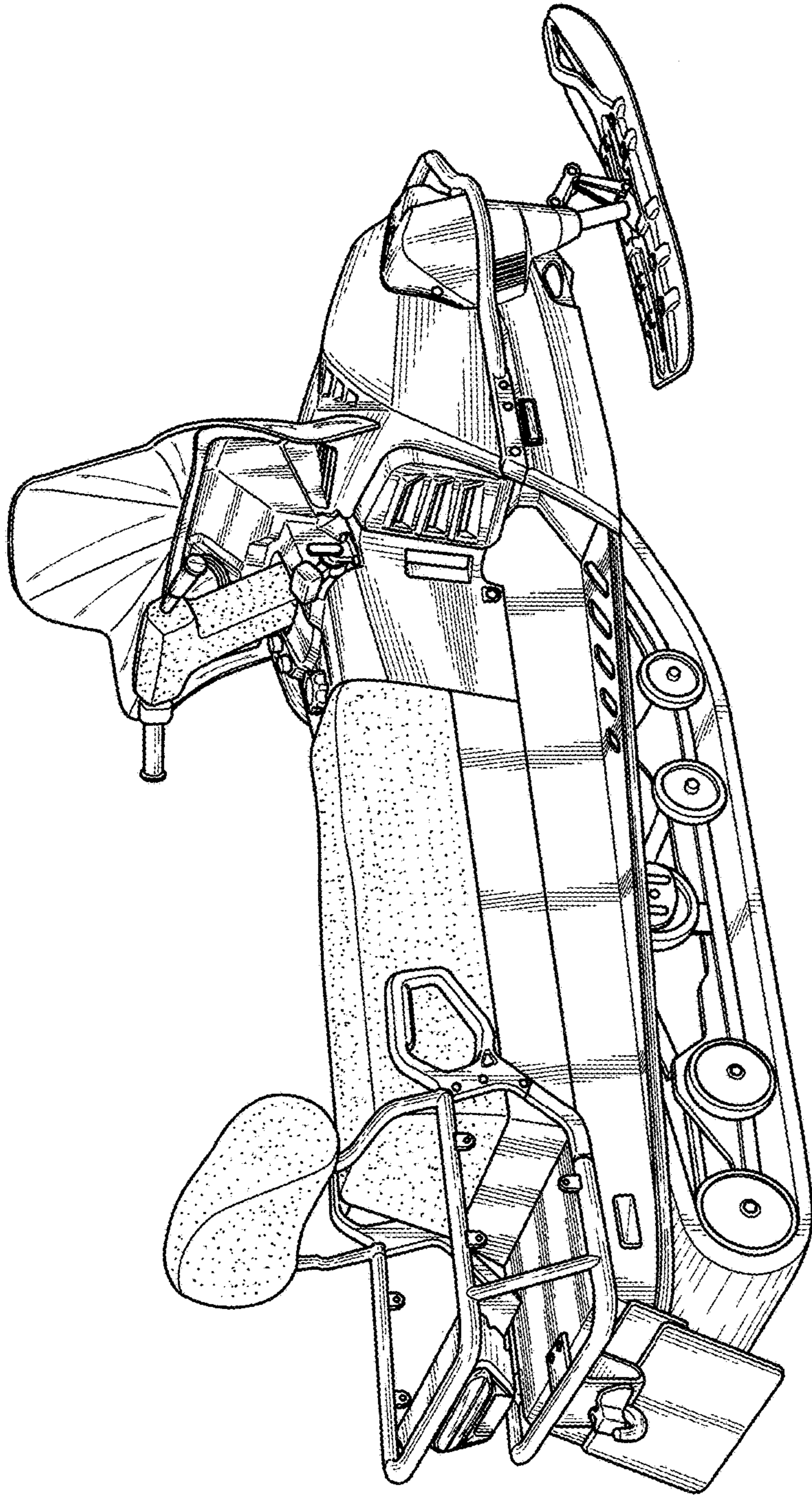


FIG. 2

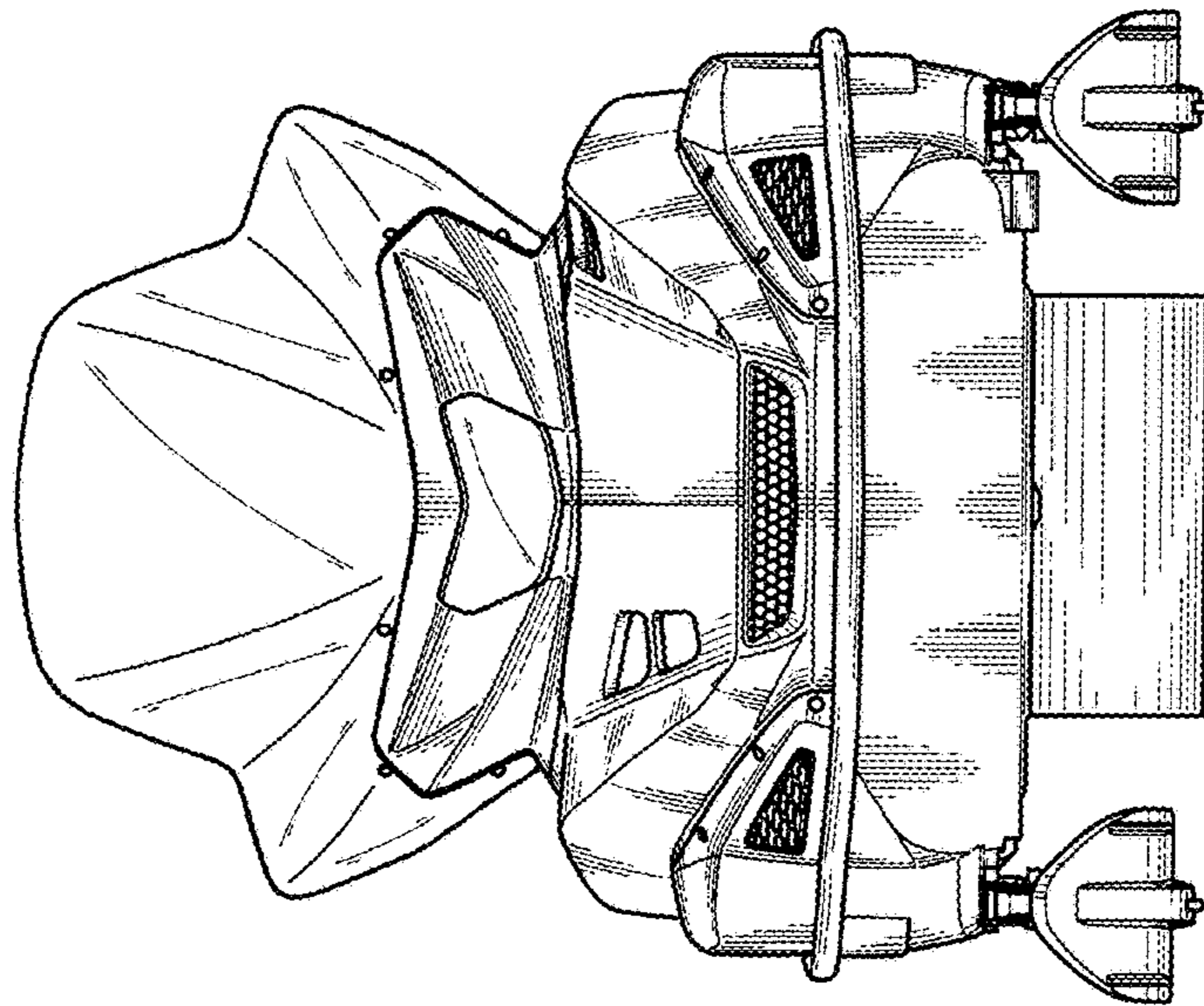


FIG. 3

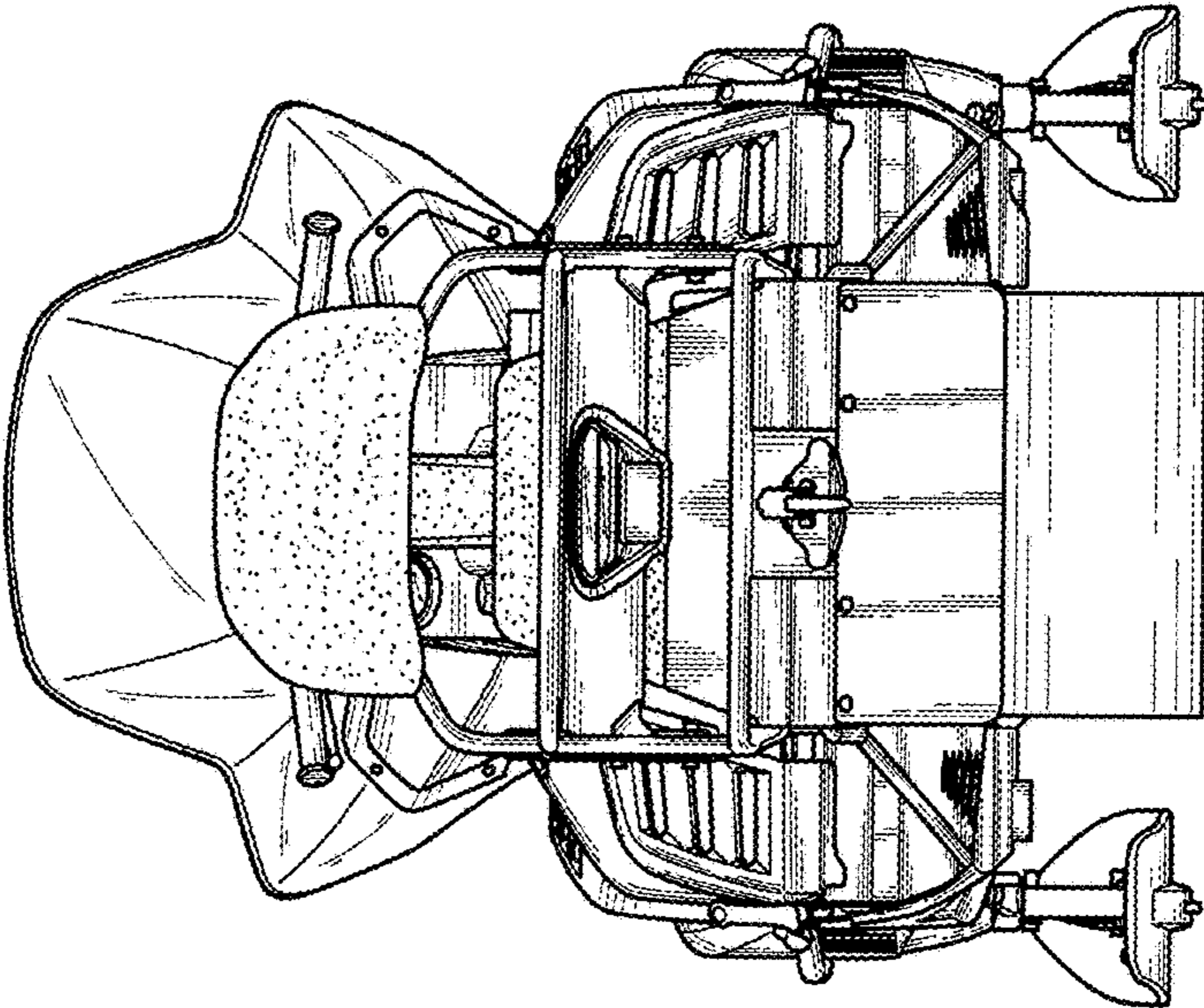


FIG. 4

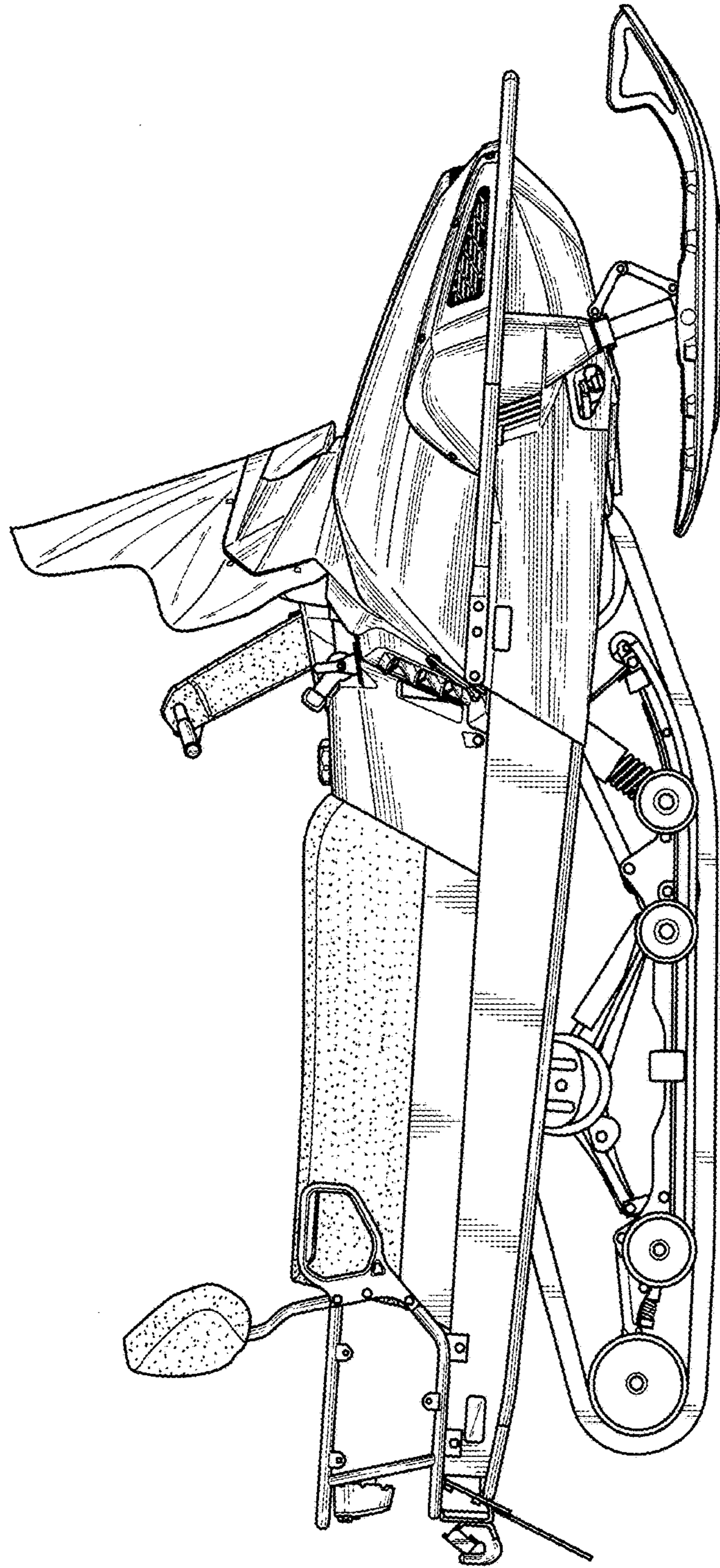


FIG. 5

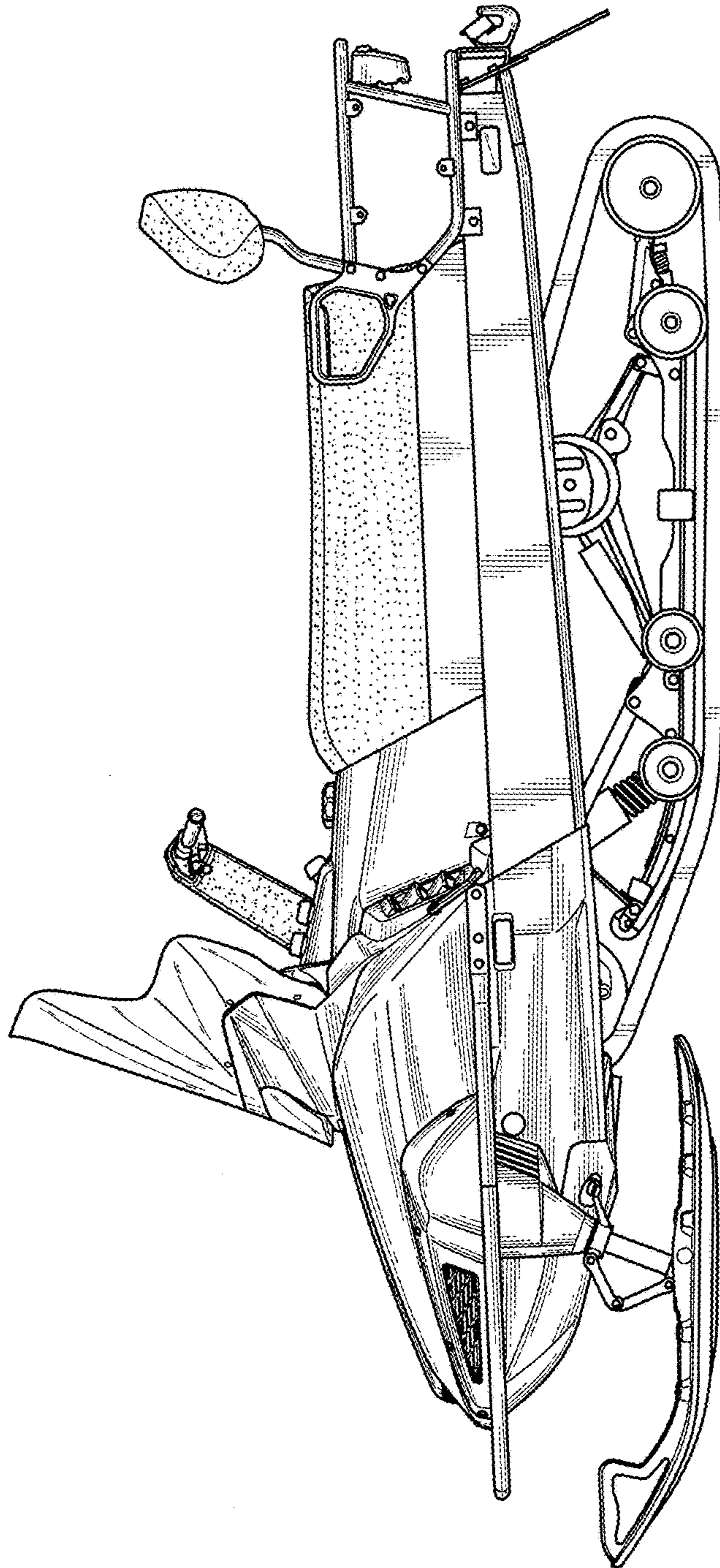


FIG. 6

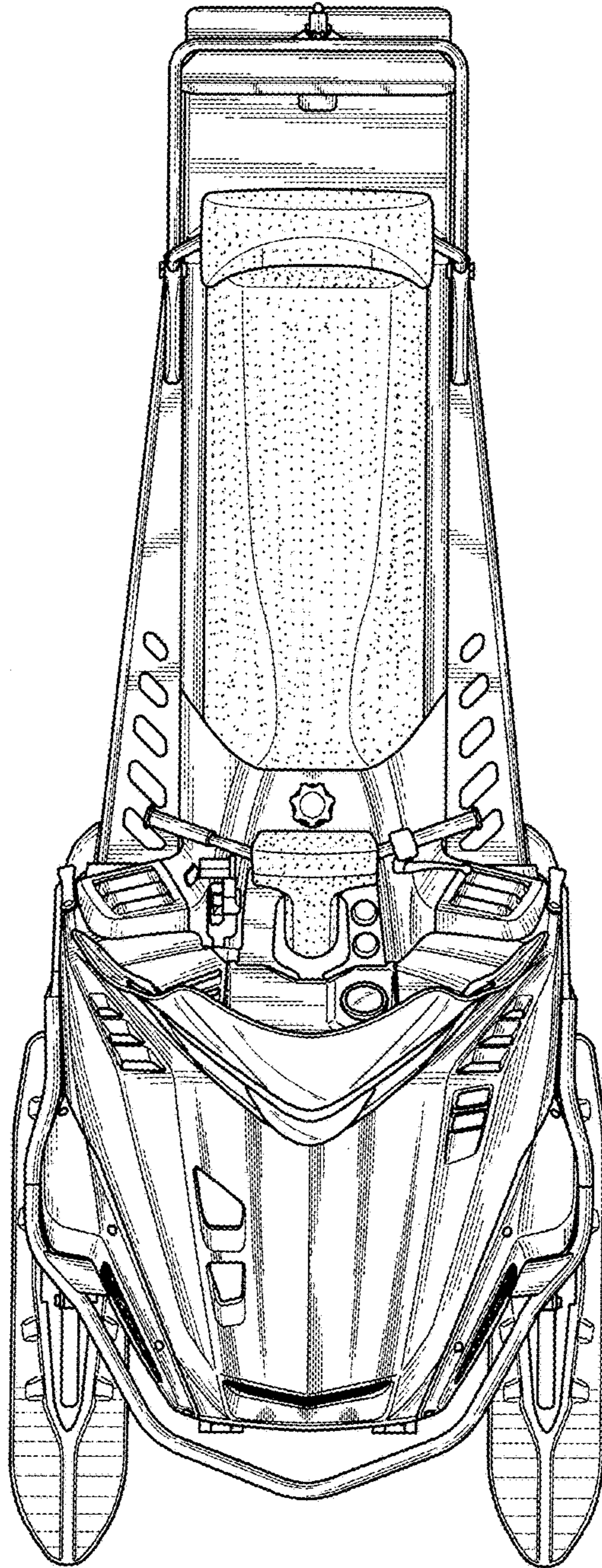


FIG. 7



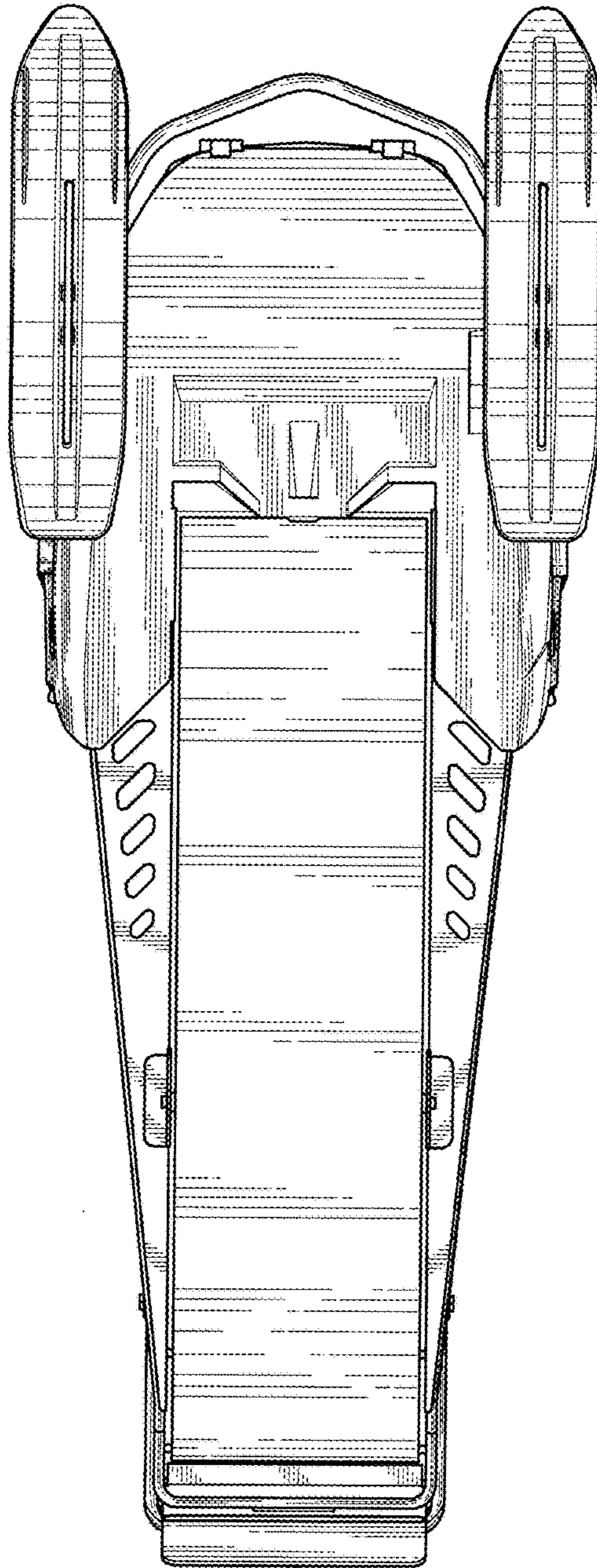


FIG. 8