

US00D794492S

(12) **United States Design Patent** (10) **Patent No.:** **US D794,492 S**  
**Arrow et al.** (45) **Date of Patent:** **\*\* Aug. 15, 2017**

(54) **SMART WATCH ACCESSORY**  
(71) Applicant: **Reserve Strap, Inc.**, Austin, TX (US)  
(72) Inventors: **John Arrow**, Austin, TX (US); **Lane Musgrave**, Austin, TX (US); **Bailey Jones**, Austin, TX (US); **Jessica Campbell**, Austin, TX (US); **Charlie Hartzell**, Portland, OR (US)  
(73) Assignee: **RESERVE STRAP, INC.**, Austin, TX (US)  
(\*\*) Term: **15 Years**

D623,965 S \* 9/2010 Sullivan ..... D10/31  
D637,094 S \* 5/2011 Cobbett ..... D10/32  
8,624,554 B2 1/2014 Ajagbe  
D725,511 S \* 3/2015 Read ..... D10/70  
9,041,352 B2 5/2015 Krause et al.  
9,105,930 B2 8/2015 Yang  
D739,850 S \* 9/2015 Gao ..... D14/223  
9,581,972 B1 \* 2/2017 Arrow ..... H02J 7/0044  
2003/0099164 A1 5/2003 Noirjean et al.  
2004/0119442 A1 6/2004 Lee et al.  
2005/0070154 A1 3/2005 Milan  
2009/0069045 A1 3/2009 Cheng  
2012/0166697 A1 6/2012 Hu et al.  
2013/0171490 A1 7/2013 Rothkopf et al.  
(Continued)

(21) Appl. No.: **29/555,433**  
(22) Filed: **Feb. 22, 2016**  
(51) **LOC (10) Cl.** ..... **11-01**  
(52) **U.S. Cl.**  
USPC ..... **D11/3**  
(58) **Field of Classification Search**  
USPC .... D11/1-25, 86, 87, 93, 94, 234, 235, 231;  
D10/30-39, 70, 46; D13/107, 108, 109  
CPC .... G04B 37/1486; G04B 37/16; G04B 37/18;  
A44C 5/14; A44C 5/0053; A44C 5/0069;  
A44C 5/0076; A44C 5/00; A44C 5/0007;  
A44C 5/0015; A44C 5/0023; A44C  
5/003; A44C 5/0061; A44C 5/12; A44C  
5/147; A44C 5/18; A44C 5/185; A44C  
5/2047; A44C 5/2052; A44B 11/006;  
A44B 11/24; G04C 10/00  
See application file for complete search history.

**OTHER PUBLICATIONS**

[Online] "Reserve Strap Promises to Extend Your Apple Watch Battery by 30 Hours." <https://tctechcrunch2011.files.wordpress.com/2015/06/slide-1-image.jpg?w=738>. Posted online Jun. 25, 2015. Retrieved Mar. 27, 2017.\*  
(Continued)

*Primary Examiner* — Melanie Pellegrini  
(74) *Attorney, Agent, or Firm* — Wilson Sonsini Goodrich & Rosati

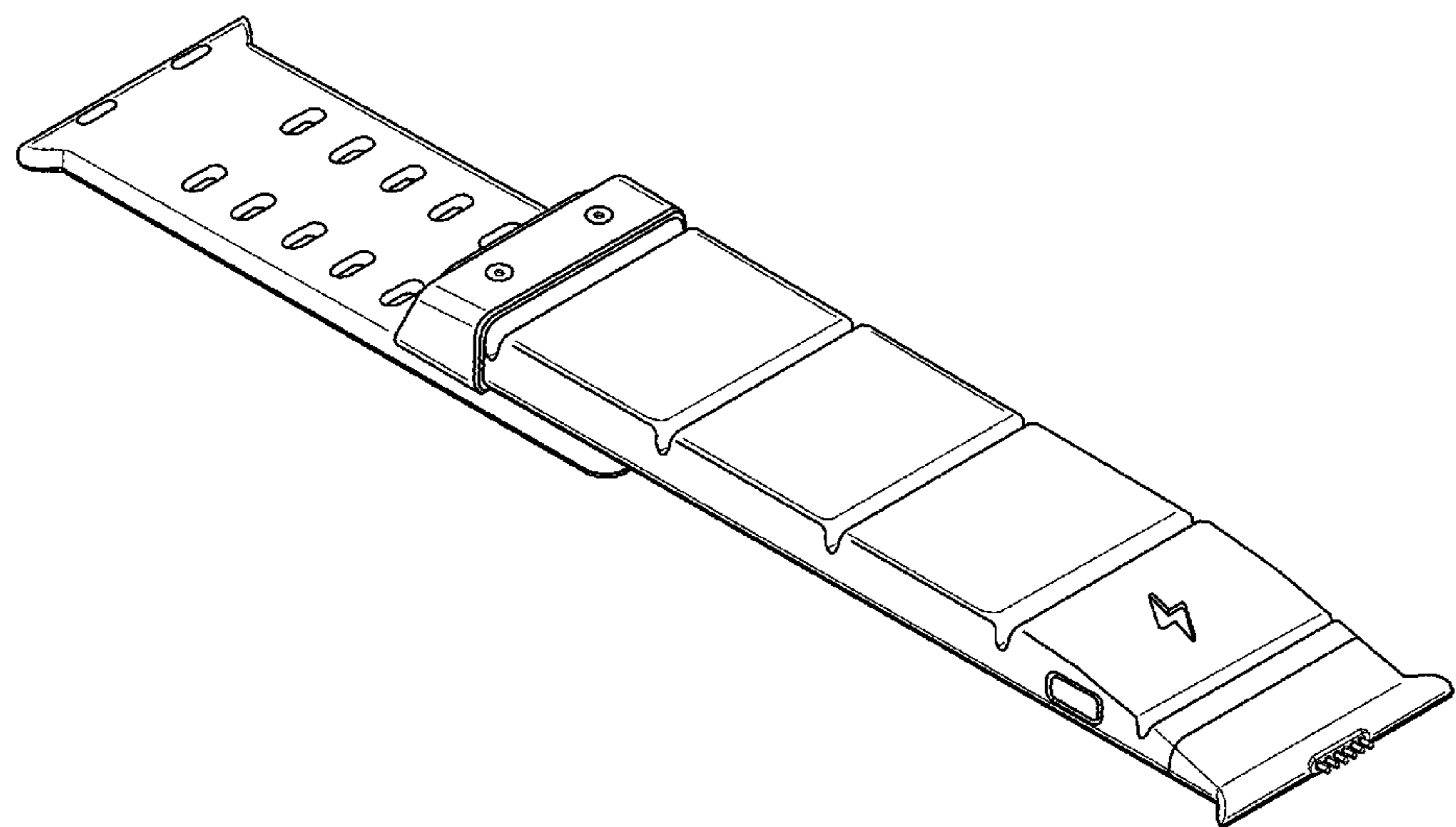
(57) **CLAIM**  
The ornamental design for a smart watch accessory, as shown and described.

**DESCRIPTION**

FIG. 1 is a front, top and left side perspective view of a smart watch accessory showing our new design; FIG. 2 is a rear elevational view thereof; FIG. 3 is a front elevational view thereof; FIG. 4 is a bottom plan view thereof; FIG. 5 is a left elevational view thereof; FIG. 6 is a right elevational view thereof; and, FIG. 7 is a top plan view thereof.

**1 Claim, 3 Drawing Sheets**

(56) **References Cited**  
U.S. PATENT DOCUMENTS  
D171,005 S \* 12/1953 Nolin ..... D10/32  
D349,468 S \* 8/1994 Souren ..... D11/3  
5,889,737 A 3/1999 Alameh et al.  
6,874,931 B2 4/2005 Noirjean et al.  
6,973,185 B2 12/2005 Anlauff



(56)

**References Cited**

U.S. PATENT DOCUMENTS

2014/0232328 A1 8/2014 Pegg  
2015/0097517 A1 4/2015 Stephenson  
2015/0115870 A1 4/2015 Vance  
2015/0130623 A1 5/2015 Robison  
2015/0130700 A1 5/2015 Chen et al.  
2015/0137731 A1 5/2015 Kim  
2015/0137733 A1 5/2015 Si  
2015/0241922 A1 8/2015 Farjami

OTHER PUBLICATIONS

U.S. Appl. No. 15/144,327 First Action Interview dated Aug. 10, 2016.

9TO5Mac. Third-party bands, replacement straps, & battery packs for Apple Watch. Apr. 19, 2015. Available at <http://9to5mac.com/2015/04/19/third-party-bands-replacement-straps-battery-packs-apple-watch> [retrieved May 2016] (12 pgs.).

Co-pending U.S. Appl. No. 15/144,324, filed May 2, 2016.

\* cited by examiner

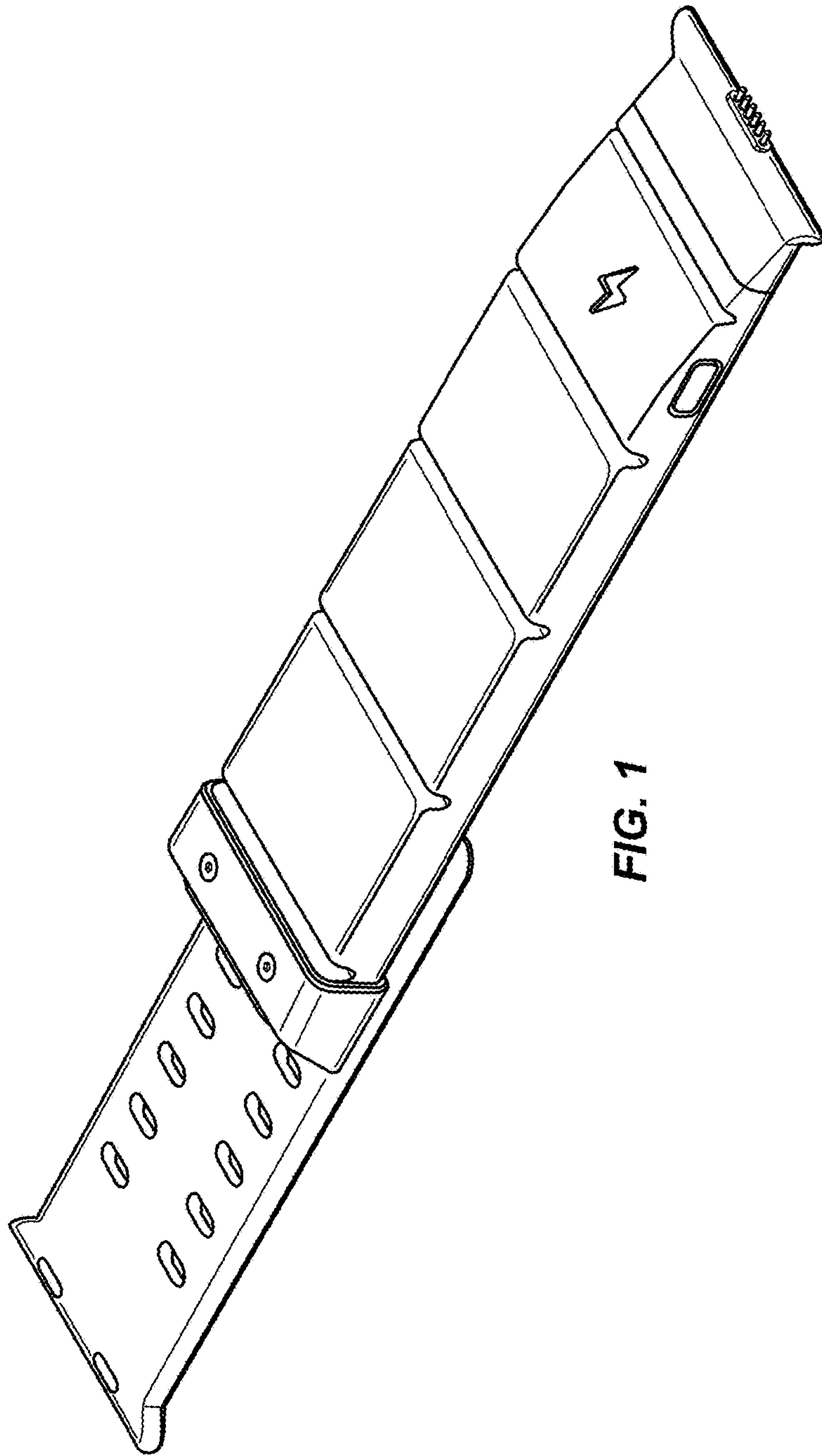


FIG. 1

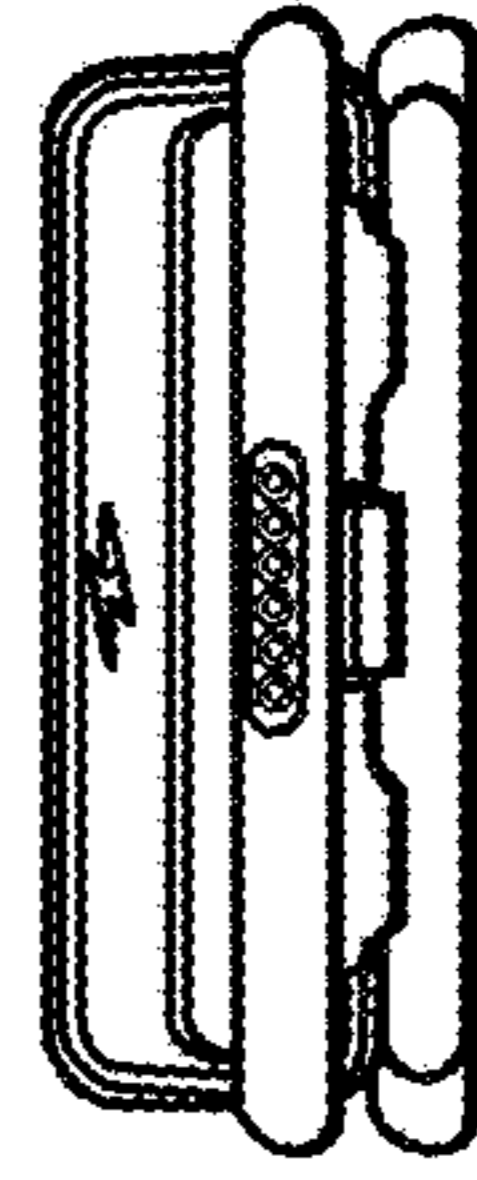


FIG. 3



FIG. 2

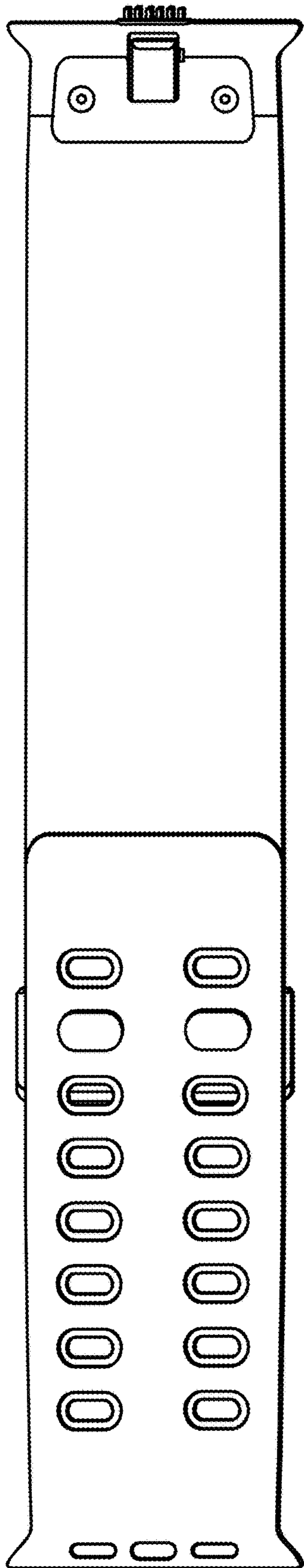


FIG. 4

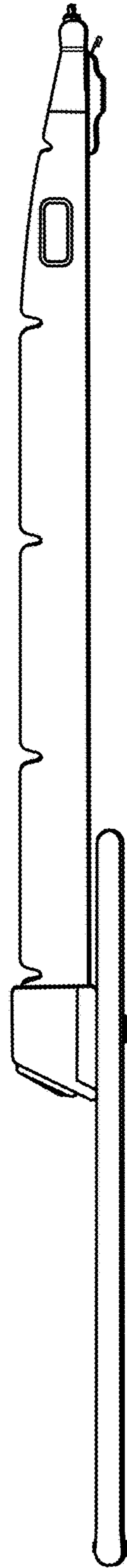


FIG. 5

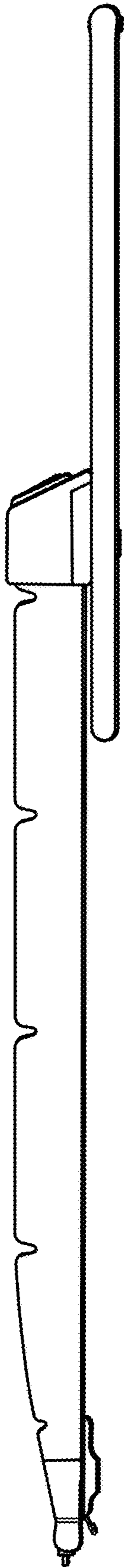


FIG. 6

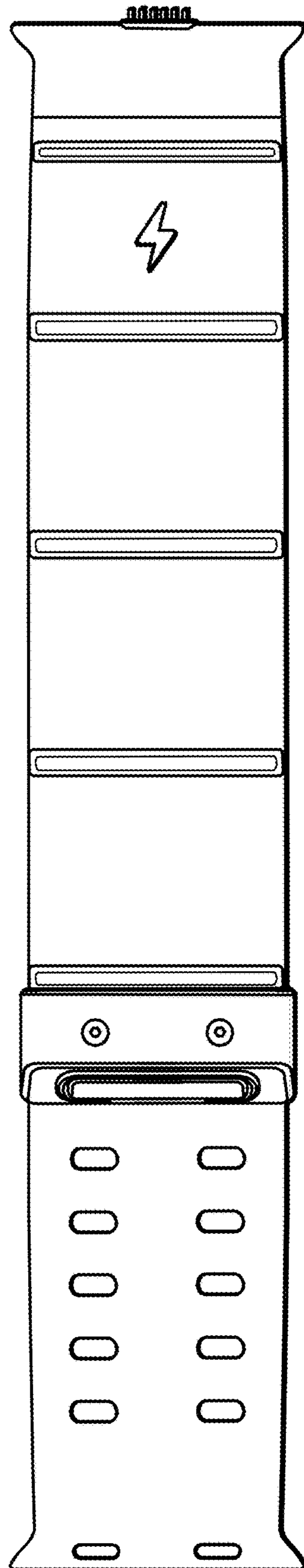


FIG. 7