



US00D794487S

(12) **United States Design Patent**
Chui et al.

(10) **Patent No.:** **US D794,487 S**

(45) **Date of Patent:** **** Aug. 15, 2017**

(54) **DOORBELL**

D543,247 S * 5/2007 Luciano, Jr. D13/171
D778,842 S * 2/2017 Takahashi D13/158

(71) Applicant: **Samsung Electronics Co., Ltd.**,
Suwon-si (KR)

* cited by examiner

(72) Inventors: **Kenny Chui**, Campbell, CA (US); **Won Seok Choi**, Fullerton, CA (US)

Primary Examiner — George D Kirschbaum
(74) *Attorney, Agent, or Firm* — McAndrews Held & Malloy, Ltd.

(73) Assignee: **SAMSUNG ELECTRONICS CO., LTD.**, Suwon-si (KR)

(**) Term: **15 Years**

(21) Appl. No.: **29/562,495**

(22) Filed: **Apr. 26, 2016**

(51) **LOC (10) Cl.** **10-05**

(52) **U.S. Cl.**
USPC **D10/118.2**; D13/171

(58) **Field of Classification Search**
USPC D10/118.2, 121; D13/171, 174, 158
CPC G08B 15/001
See application file for complete search history.

(56) **References Cited**

U.S. PATENT DOCUMENTS

D197,278 S * 1/1964 Stevenson D13/171
D516,045 S * 2/2006 Street D13/171

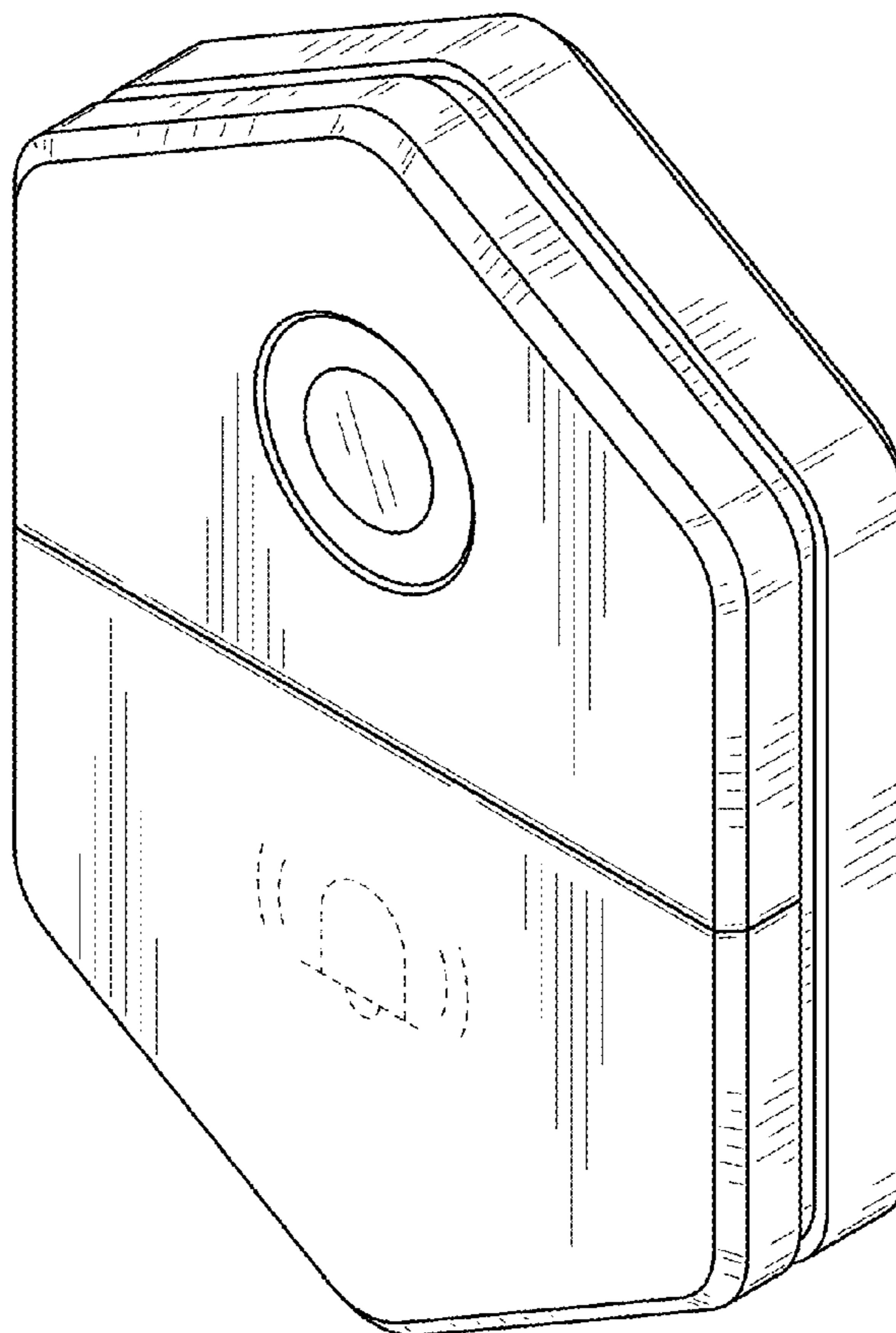
(57) **CLAIM**

The ornamental design for a doorbell, as shown and described.

DESCRIPTION

FIG. 1 is a front perspective view of a doorbell showing our new design;
FIG. 2 is a front elevation view thereof;
FIG. 3 is a rear elevation view thereof;
FIG. 4 is a right-side elevation view thereof;
FIG. 5 is a left-side elevation view thereof;
FIG. 6 is a top plan view thereof; and,
FIG. 7 is a bottom plan view thereof.
The broken lines in the drawings illustrate portions of the doorbell that form no part of the claimed design.

1 Claim, 3 Drawing Sheets



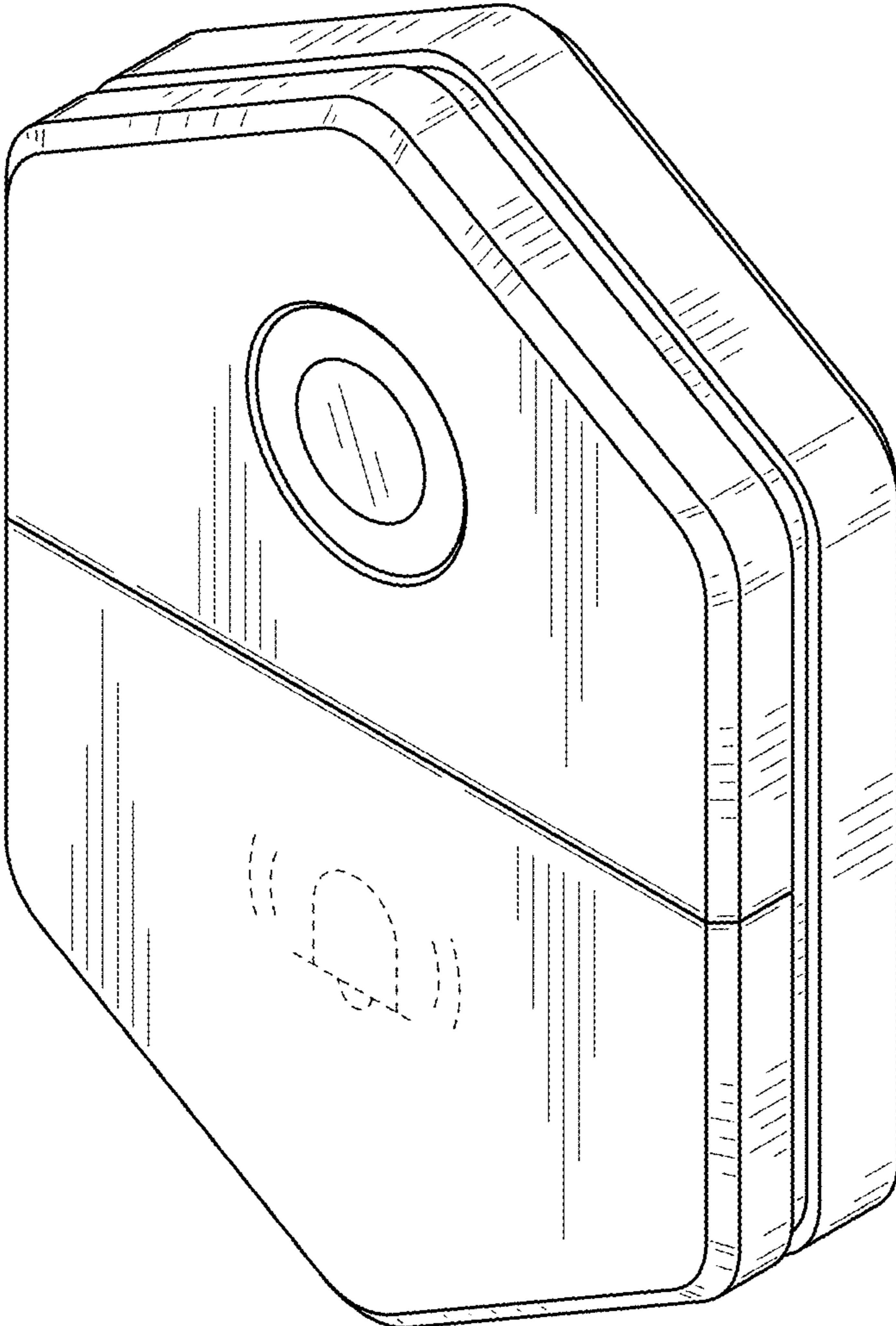


FIG. 1

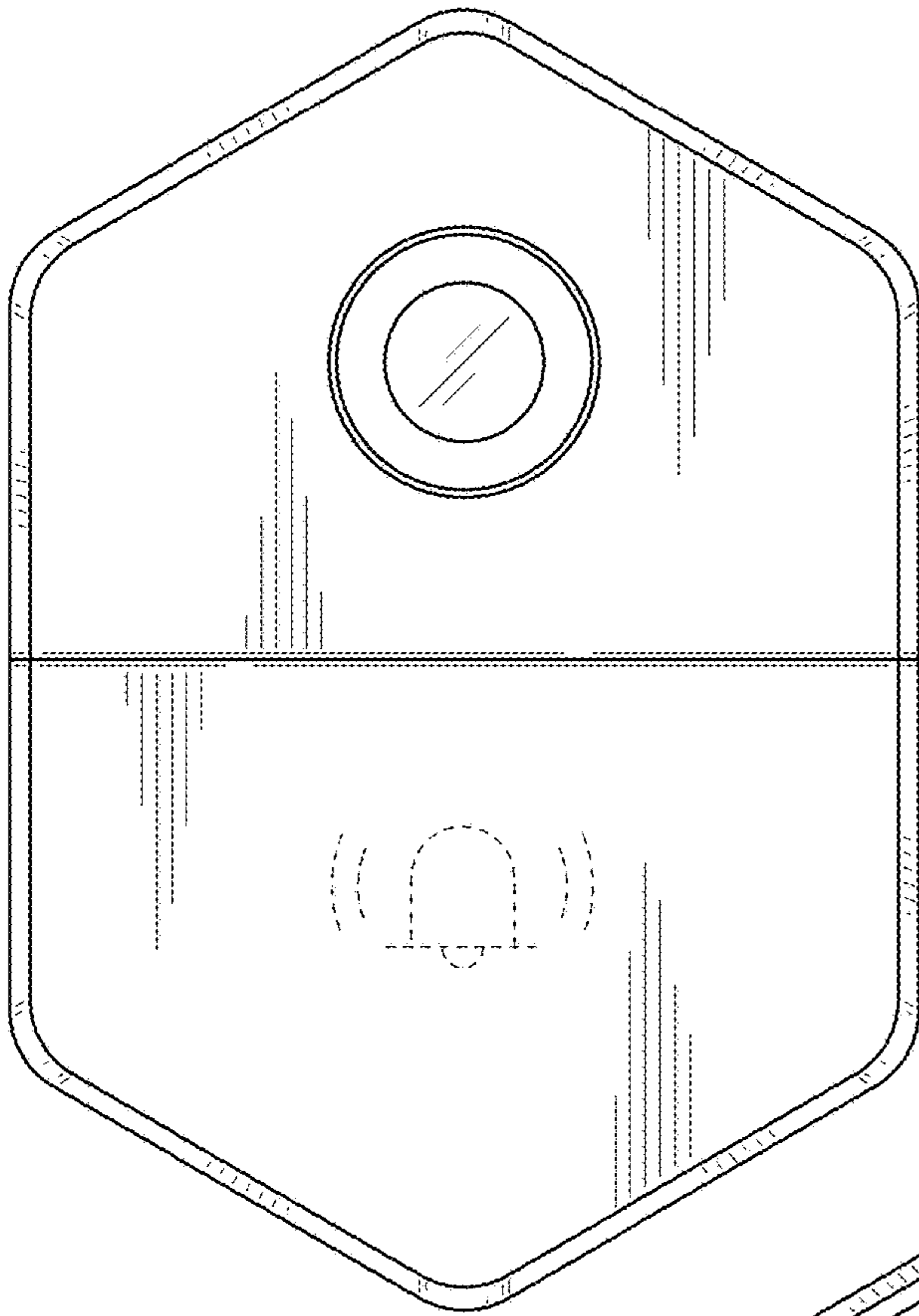


FIG. 2

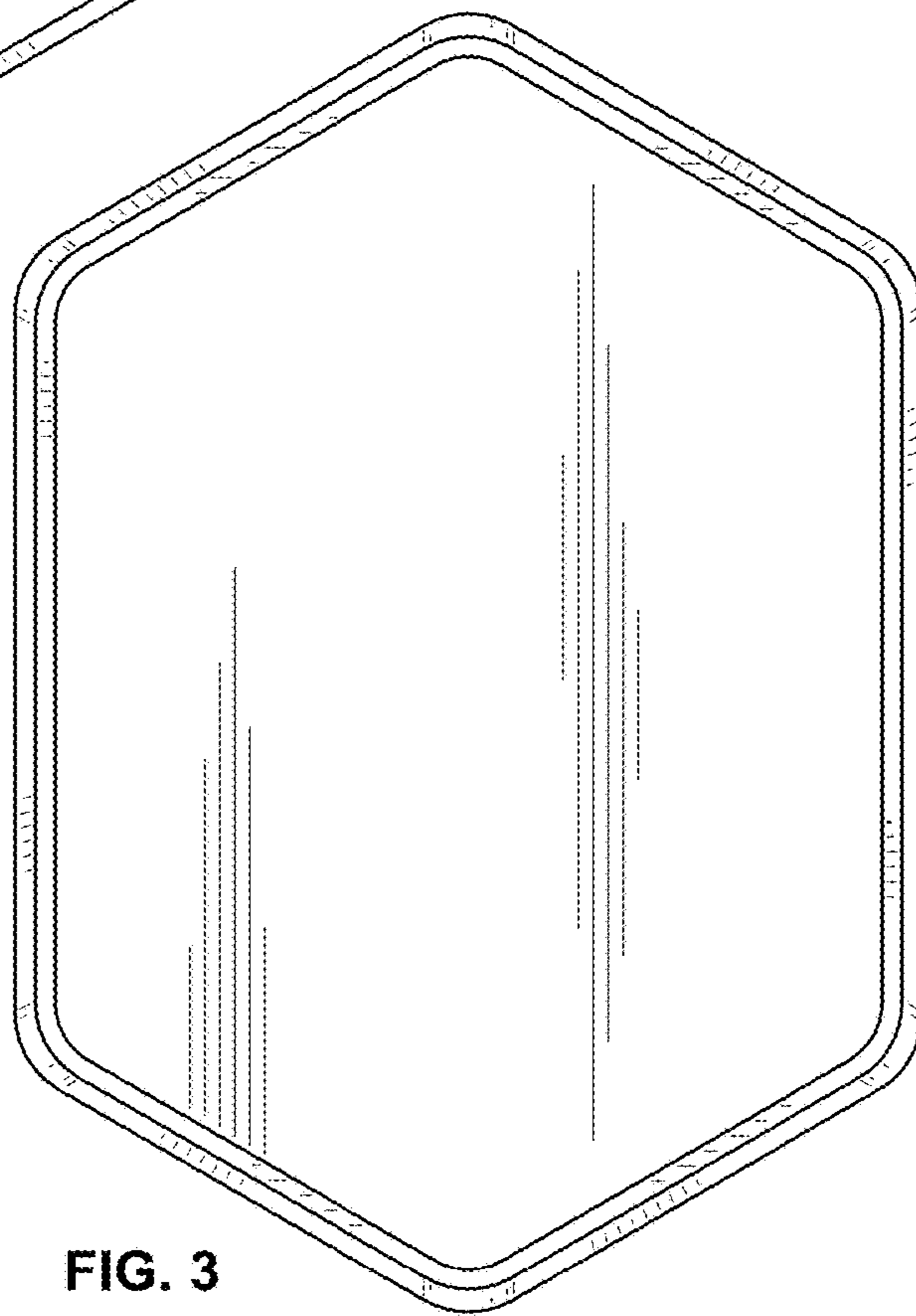


FIG. 3

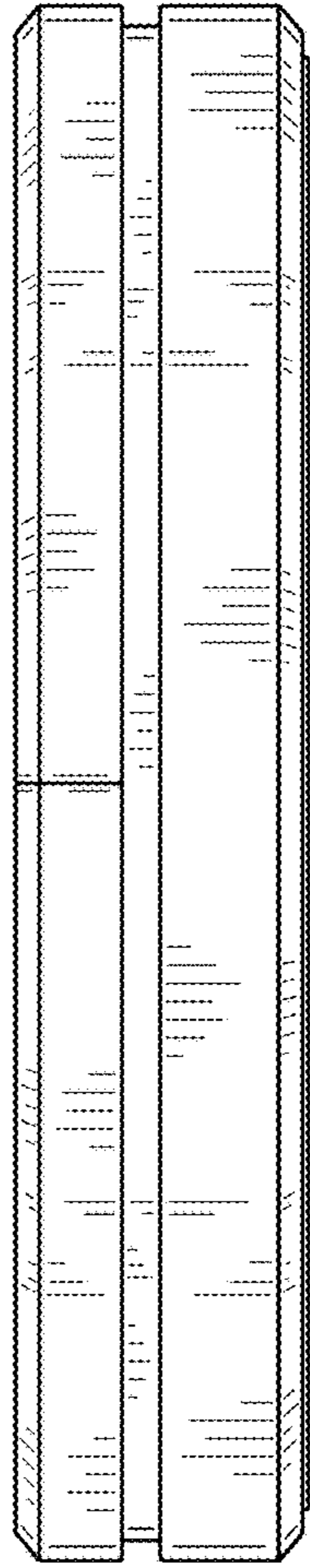


FIG. 4

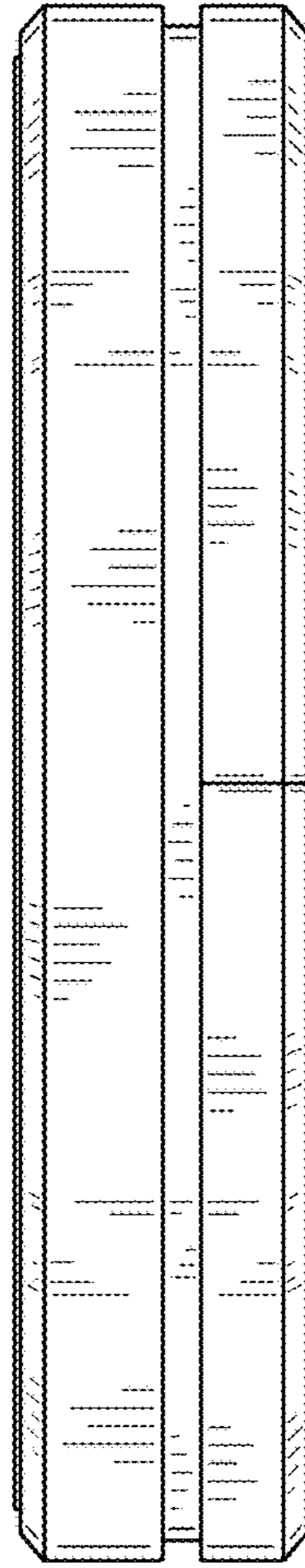


FIG. 5

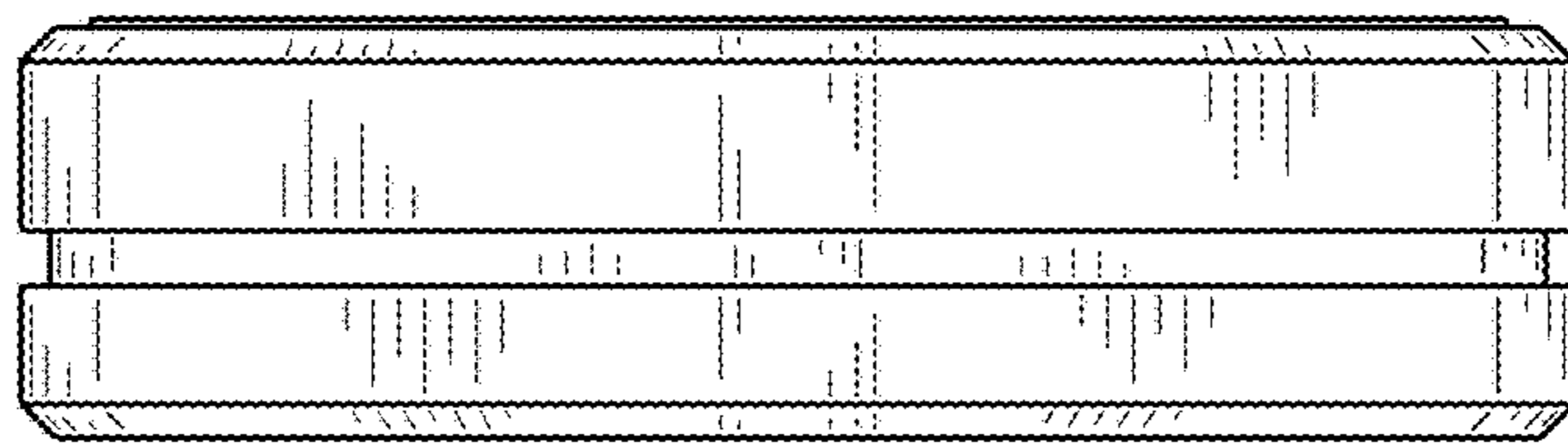


FIG. 6

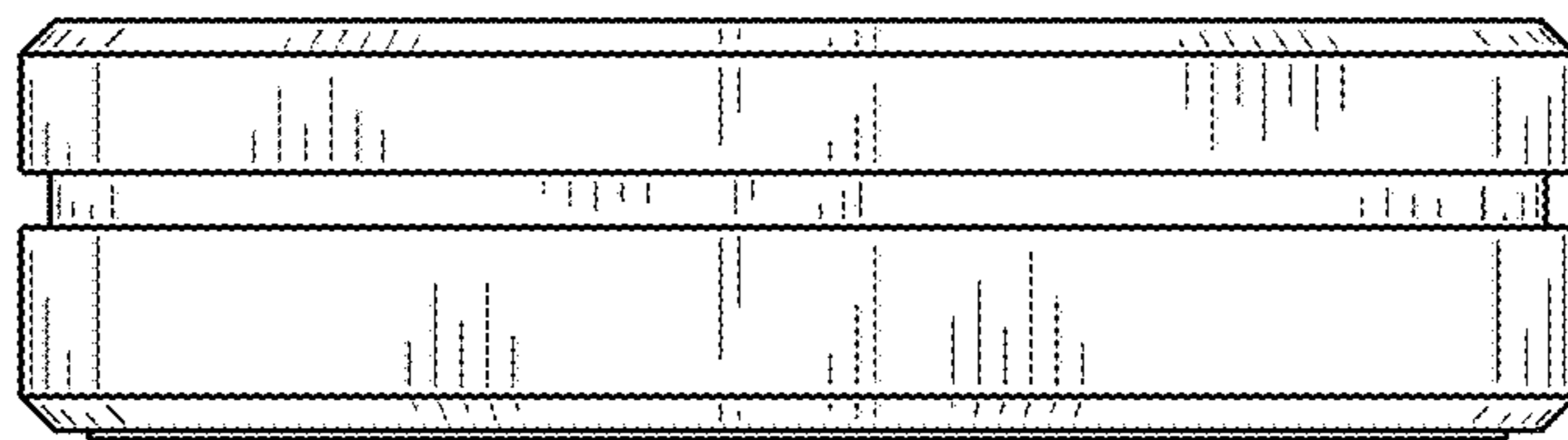


FIG. 7