



US00D794485S

(12) **United States Design Patent**
Boisse et al.

(10) **Patent No.:** **US D794,485 S**

(45) **Date of Patent:** **** Aug. 15, 2017**

(54) **CEILING MOUNT LED NOTIFICATION STROBE**

(71) Applicant: **Mircom Technologies Ltd.**, Vaughan (CA)

(72) Inventors: **Brian Boisse**, Mercier (CA); **Mark Aranovich**, Richmond Hill (CA); **Jason Falbo**, Vaughan (CA)

(73) Assignee: **MIRCOM TECHNOLOGIES LTD.**, Vaughan, ON (CA)

(**) Term: **15 Years**

(21) Appl. No.: **29/530,994**

(22) Filed: **Jun. 22, 2015**

(51) **LOC (10) Cl.** **10-05**

(52) **U.S. Cl.**
USPC **D10/114.2**

(58) **Field of Classification Search**
USPC D10/120, 106.2, 106.1, 114.1, 114.2, D10/106.3, 109.1
CPC G08B 7/062; G08B 5/38
See application file for complete search history.

(56) **References Cited**

U.S. PATENT DOCUMENTS

D215,974 S *	11/1969	Berns	D10/120
D256,897 S	9/1980	Arima et al.		
D258,353 S *	2/1981	Mango	D10/106.2
4,258,291 A *	3/1981	Scott	G08B 7/062 307/117
D265,802 S *	8/1982	Vickery	D10/106.1
D276,029 S	10/1984	Skarman		
D297,316 S	8/1988	Mastro		
D308,646 S	6/1990	Grilk		
D311,705 S *	10/1990	Thorp	D10/121
D315,694 S *	3/1991	Thorp	D10/114.2
D318,437 S	7/1991	Kojima et al.		
D374,635 S *	10/1996	Hur	D10/109.2

D457,457 S *	5/2002	Povey	G08B 5/38 D10/114.1
D568,194 S *	5/2008	Vojinovic	D10/109.2
7,375,617 B2	5/2008	Stirling		
D574,283 S *	8/2008	Anderson	D10/106.1
D628,926 S *	12/2010	Carey	D10/106.3
D663,644 S *	7/2012	Ten Wolde	D10/114.2

(Continued)

Primary Examiner — George D Kirschbaum

(57) **CLAIM**

The ornamental design for a ceiling mount LED notification strobe, as shown and described.

DESCRIPTION

FIG. 1 is a front perspective view of a first embodiment of ceiling mount LED notification strobe showing our new design with internal horn;

FIG. 2 is top plan view thereof;

FIG. 3 is a bottom plan view thereof;

FIG. 4 is a rear elevational view thereof;

FIG. 5 is a front elevational view thereof;

FIG. 6 is a right side view thereof; and

FIG. 7 is a left side view thereof;

FIG. 8 is a front perspective view of a second embodiment of ceiling mount LED notification strobe showing our new design;

FIG. 9 is a top plan view of the embodiment of FIG. 8;

FIG. 10 is a bottom plan view of the embodiment of FIG. 8;

FIG. 11 is a front elevational view of the embodiment of FIG. 8;

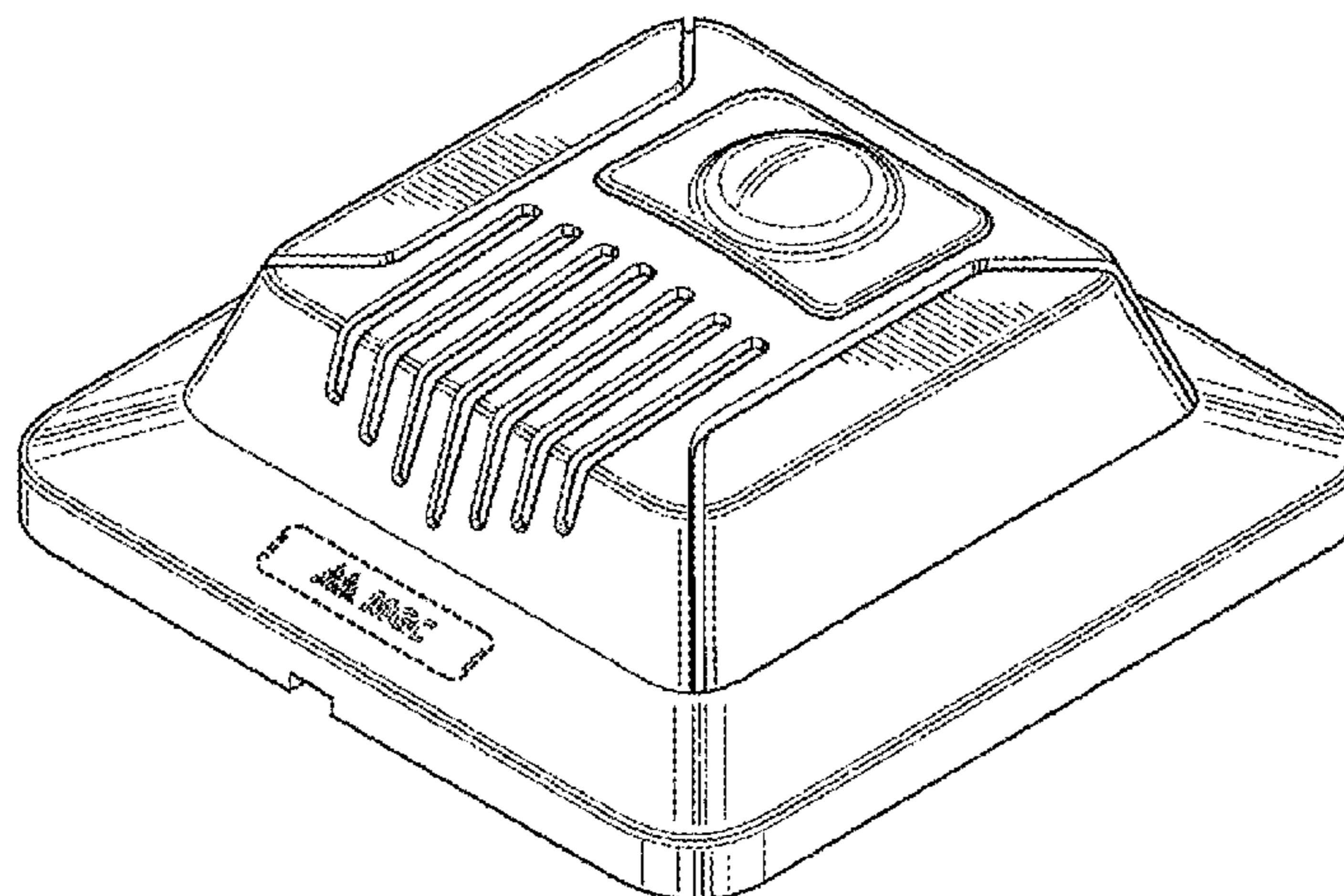
FIG. 12 is a rear elevational view of the embodiment of FIG. 8;

FIG. 13 is a right side view of the embodiment of FIG. 8; and,

FIG. 14 is a left side view of the embodiment of FIG. 8.

The portion of the drawing shown in dotted line form no part of the claimed invention.

1 Claim, 8 Drawing Sheets



(56)

References Cited

U.S. PATENT DOCUMENTS

D663,645 S * 7/2012 Ten Wolde D10/114.2
D676,774 S * 2/2013 Ten Wolde D10/114.2

* cited by examiner

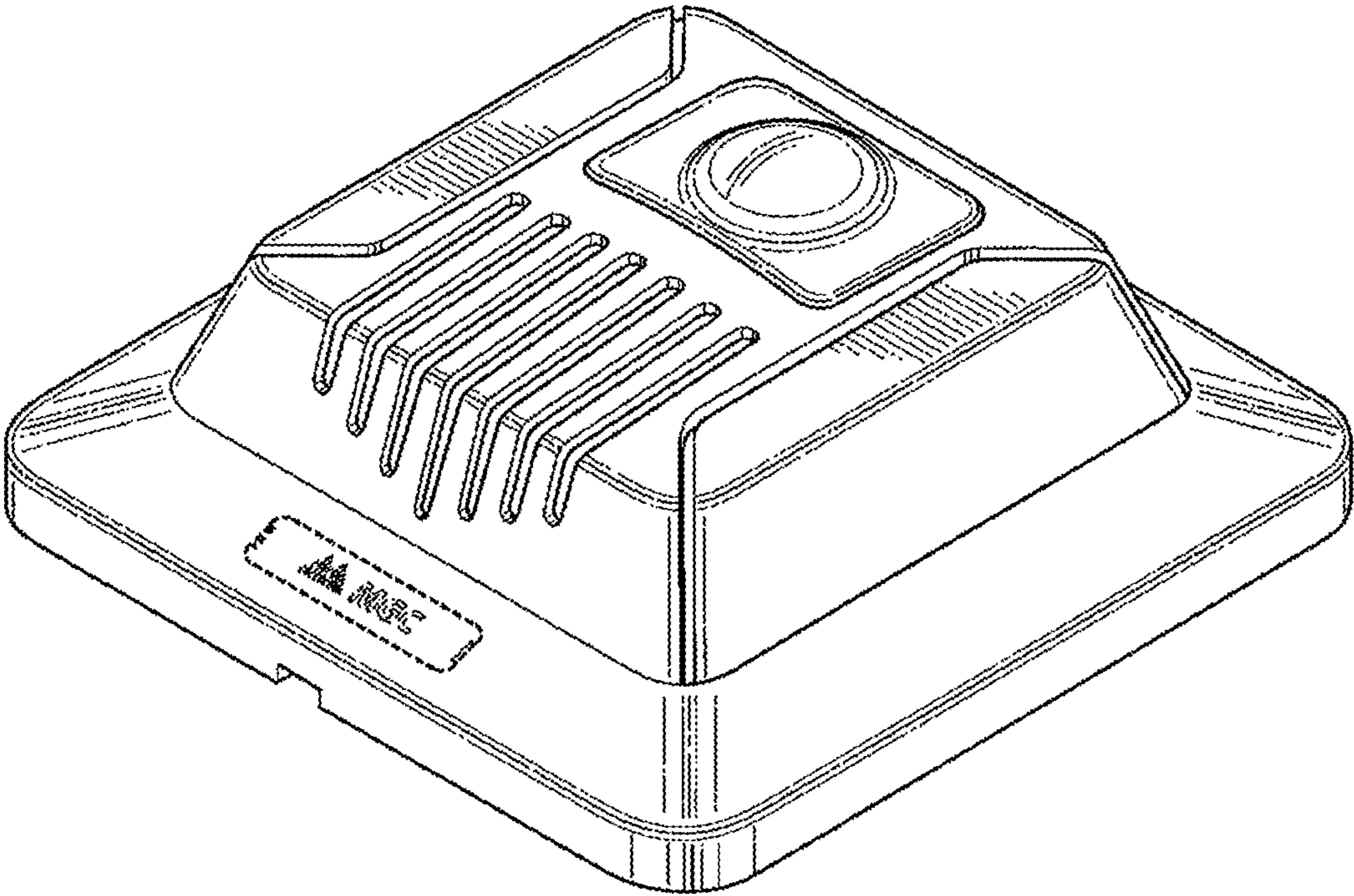


FIG. 1

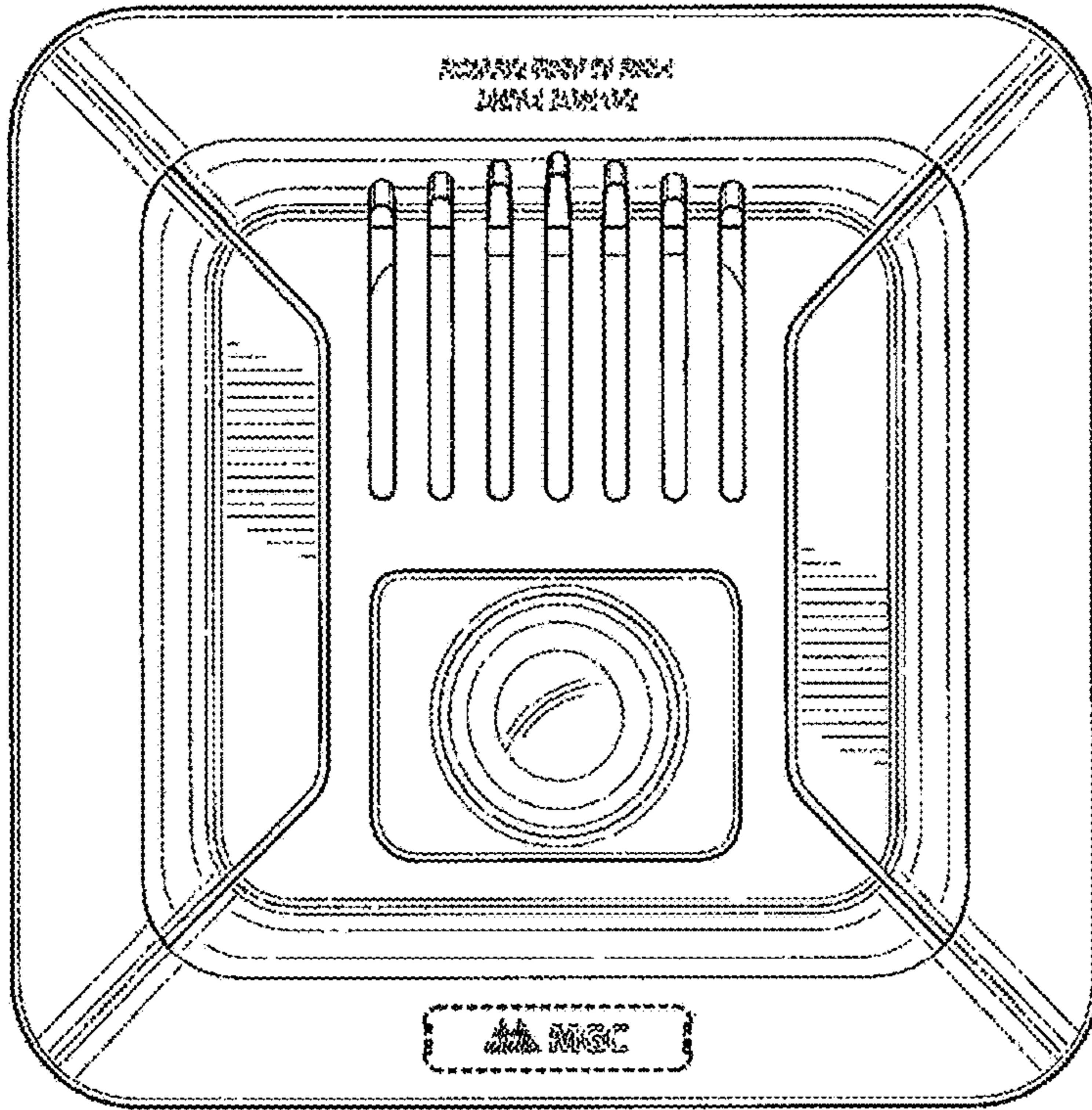


FIG. 2

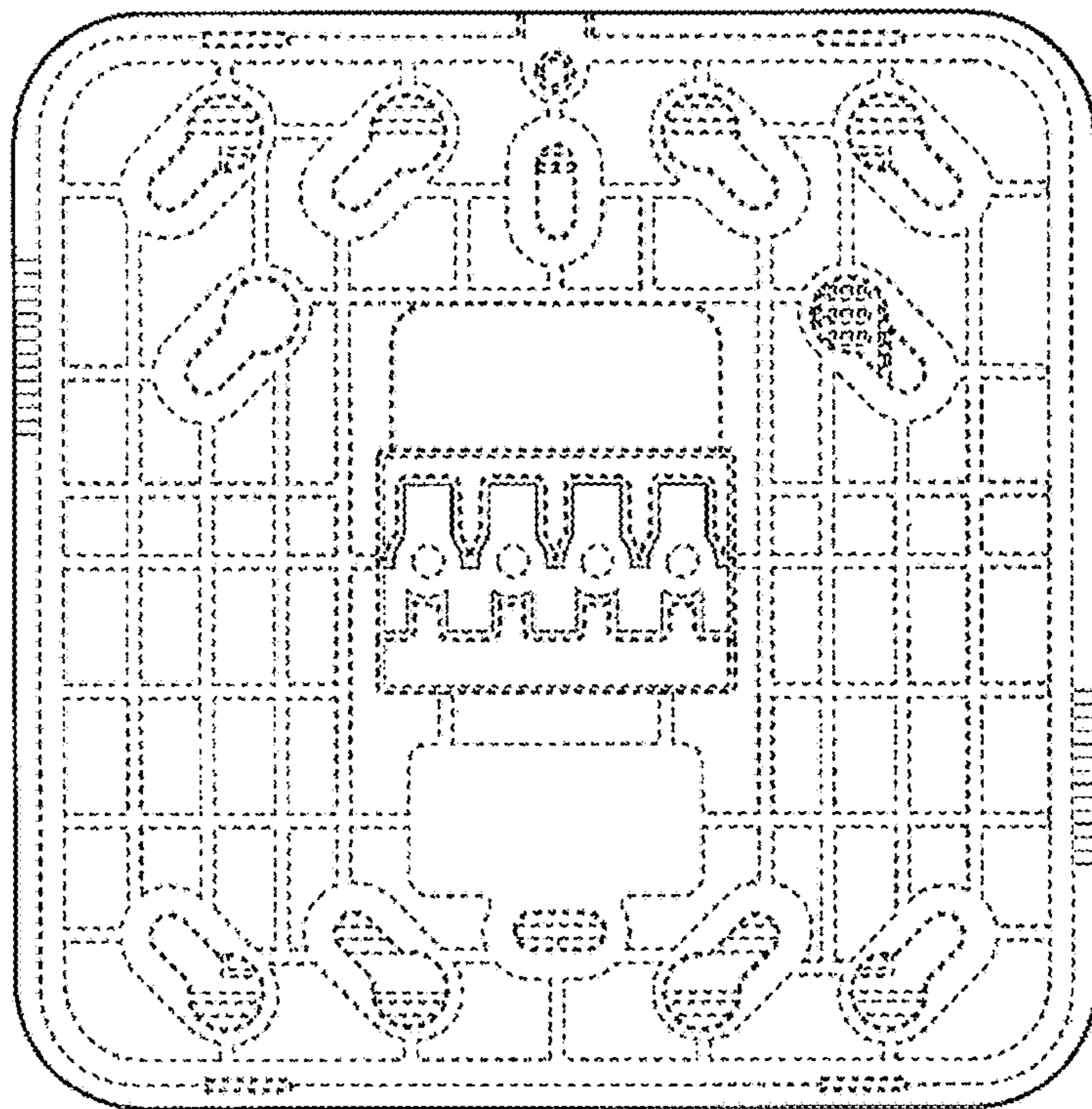


FIG. 3

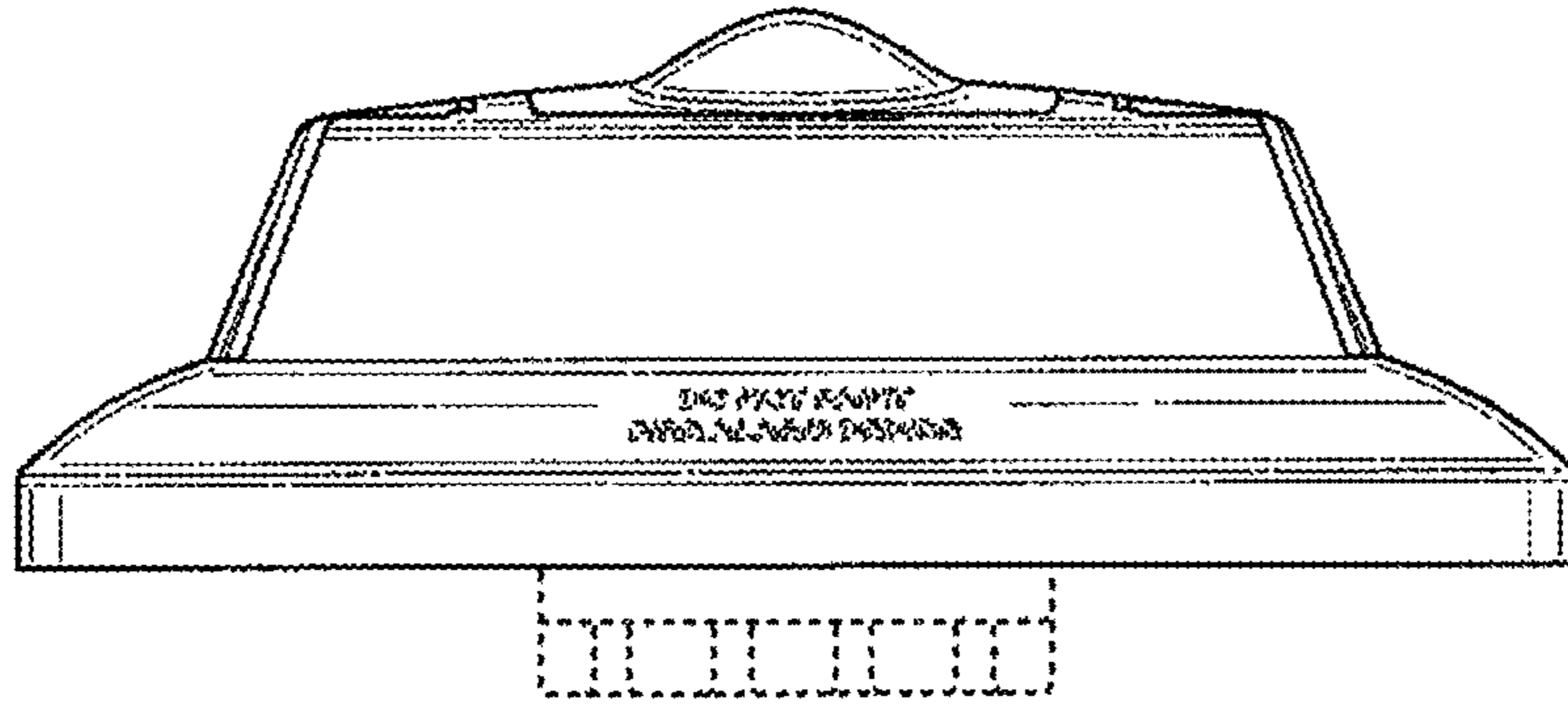


FIG. 4

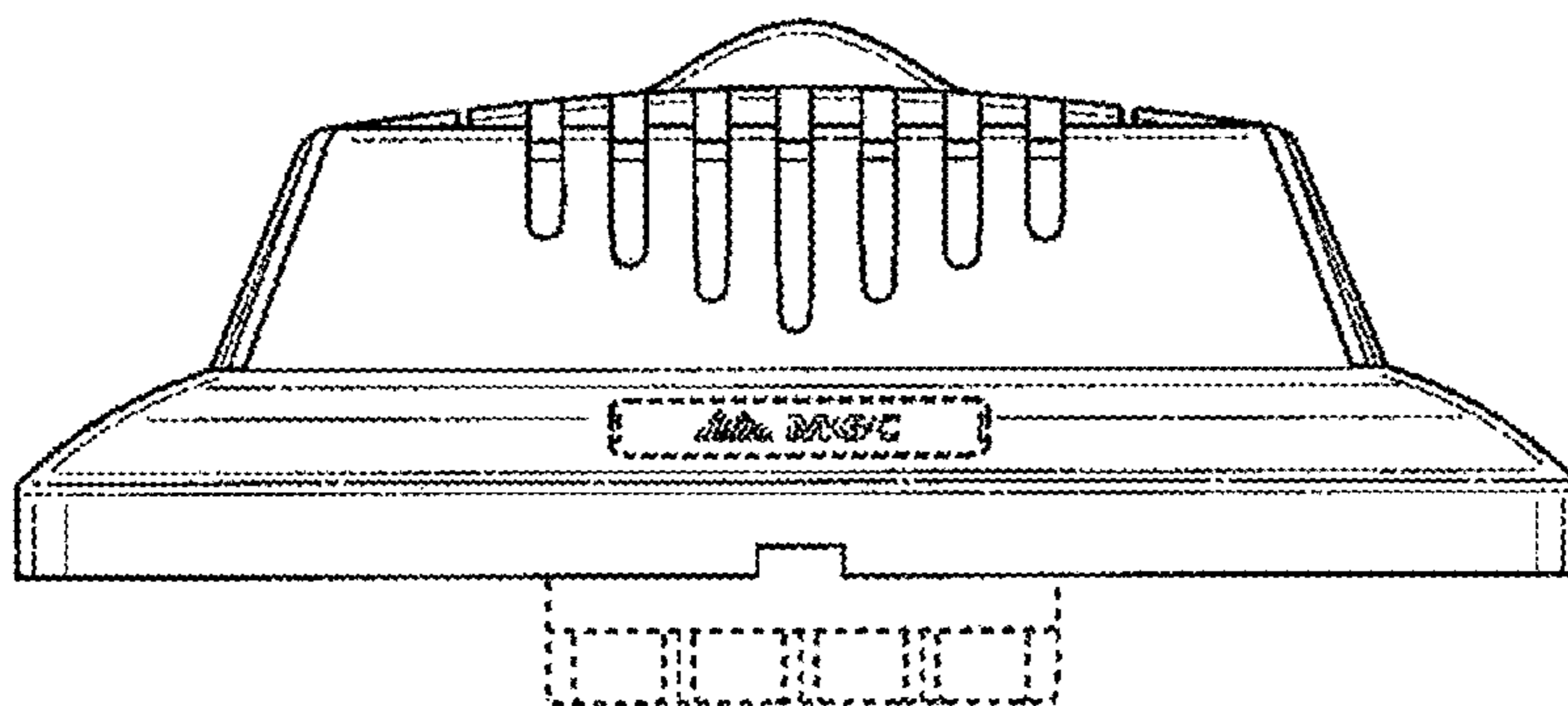


FIG. 5

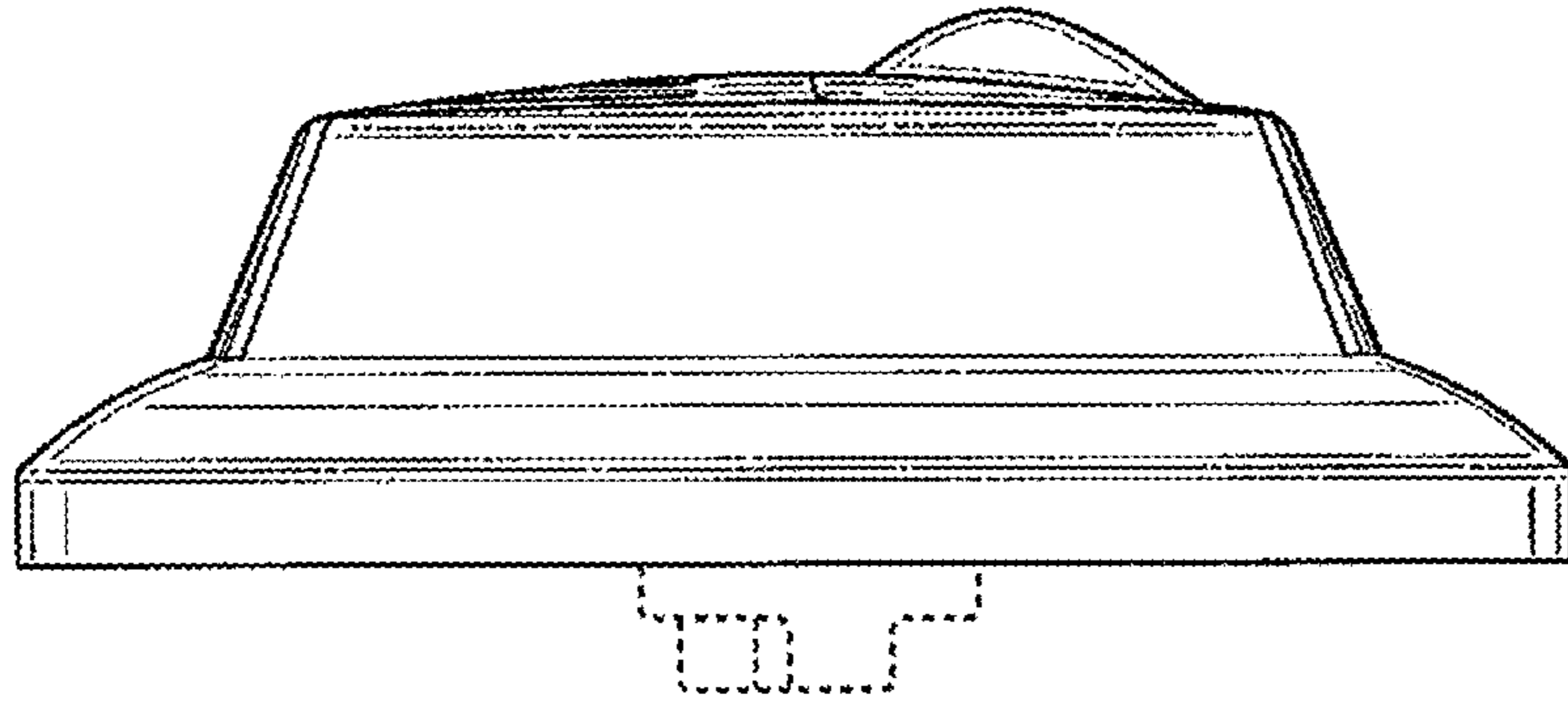


FIG. 6

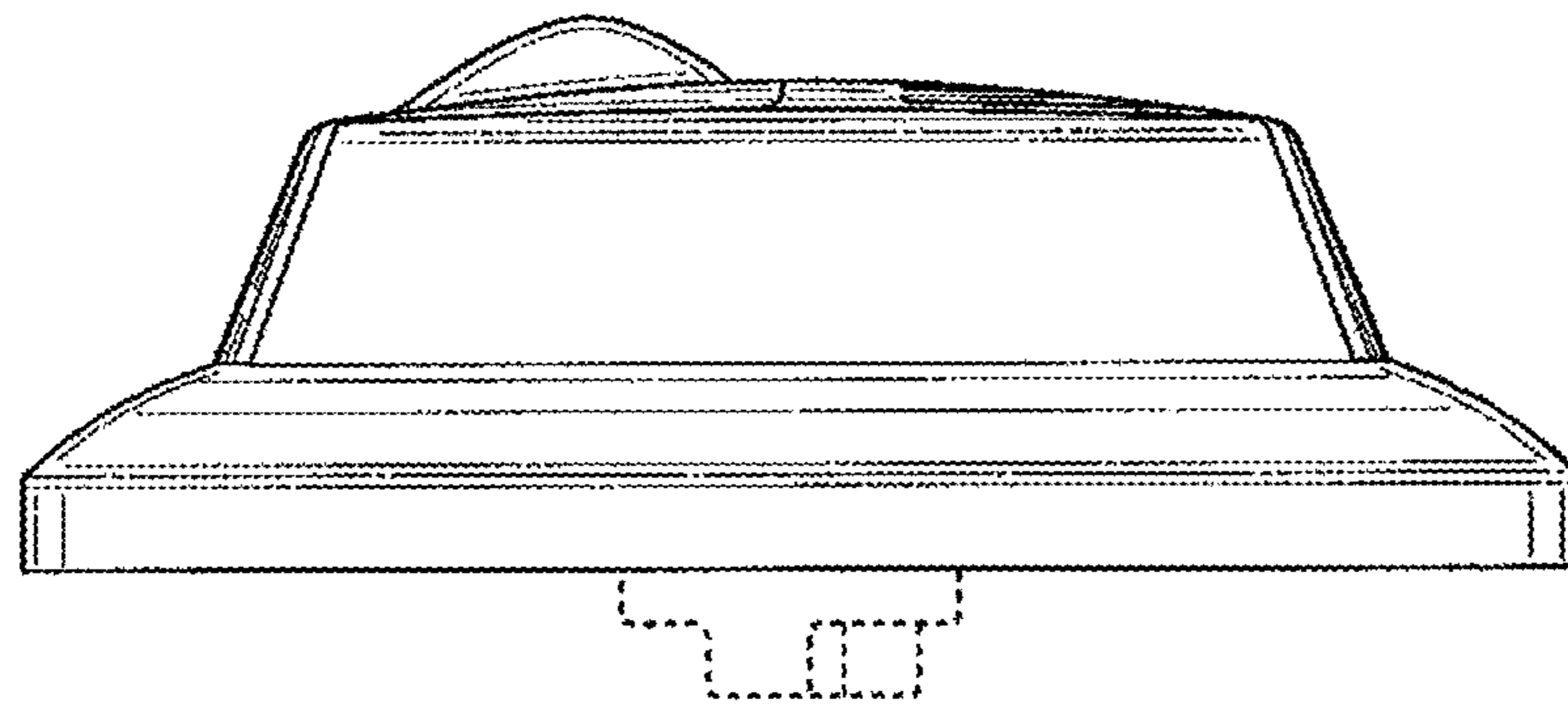


FIG. 7

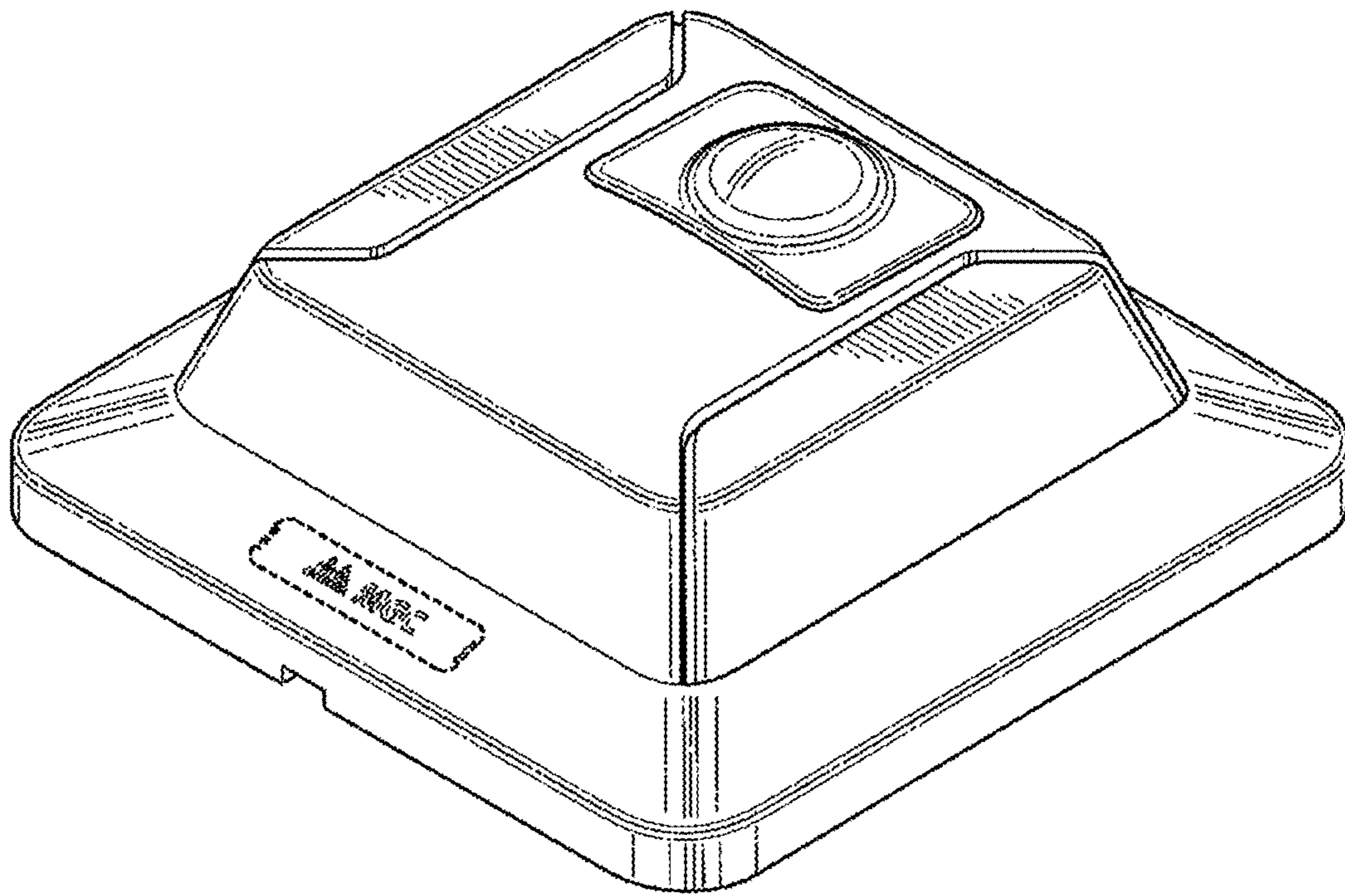


FIG. 8

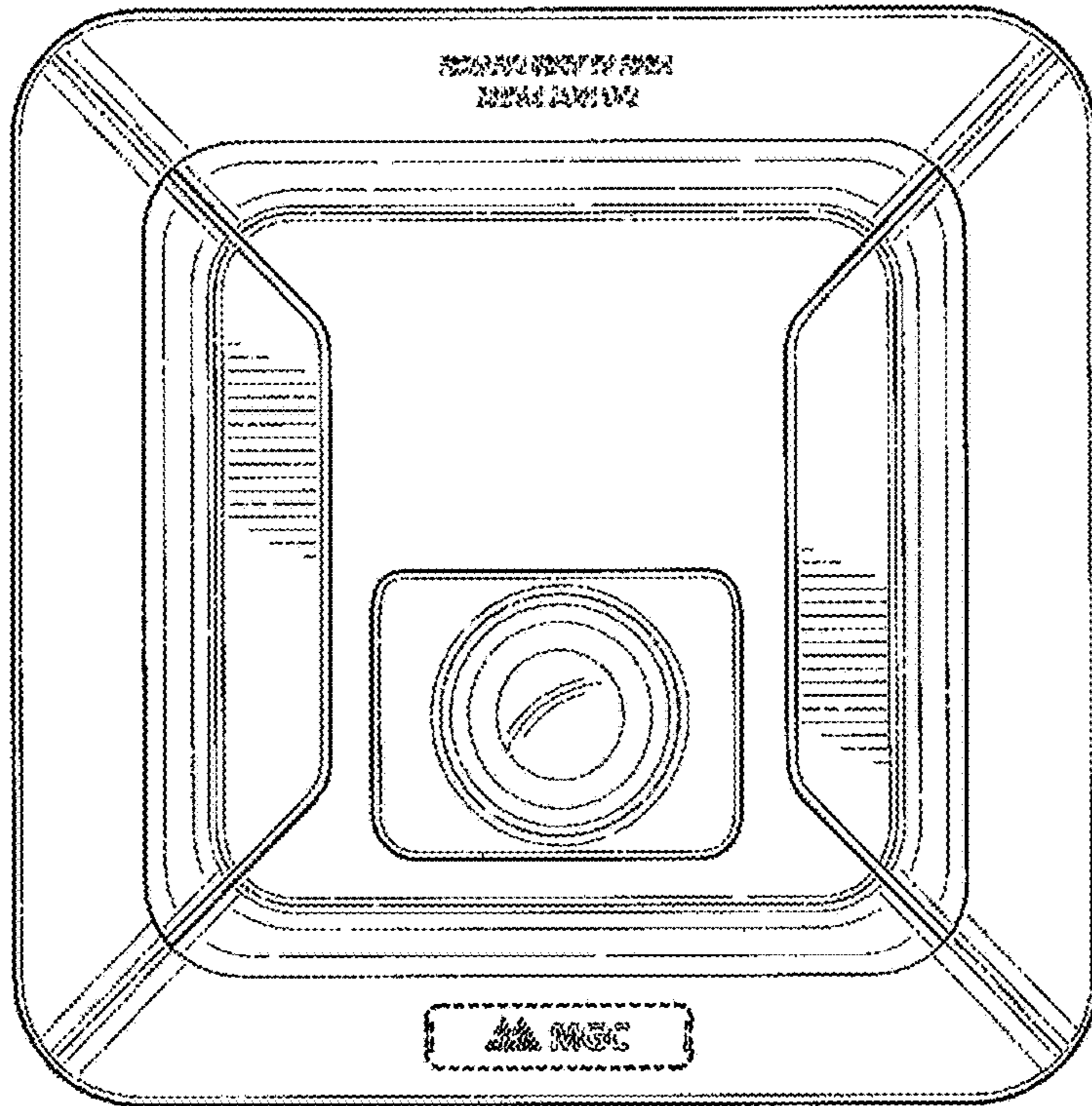


FIG. 9

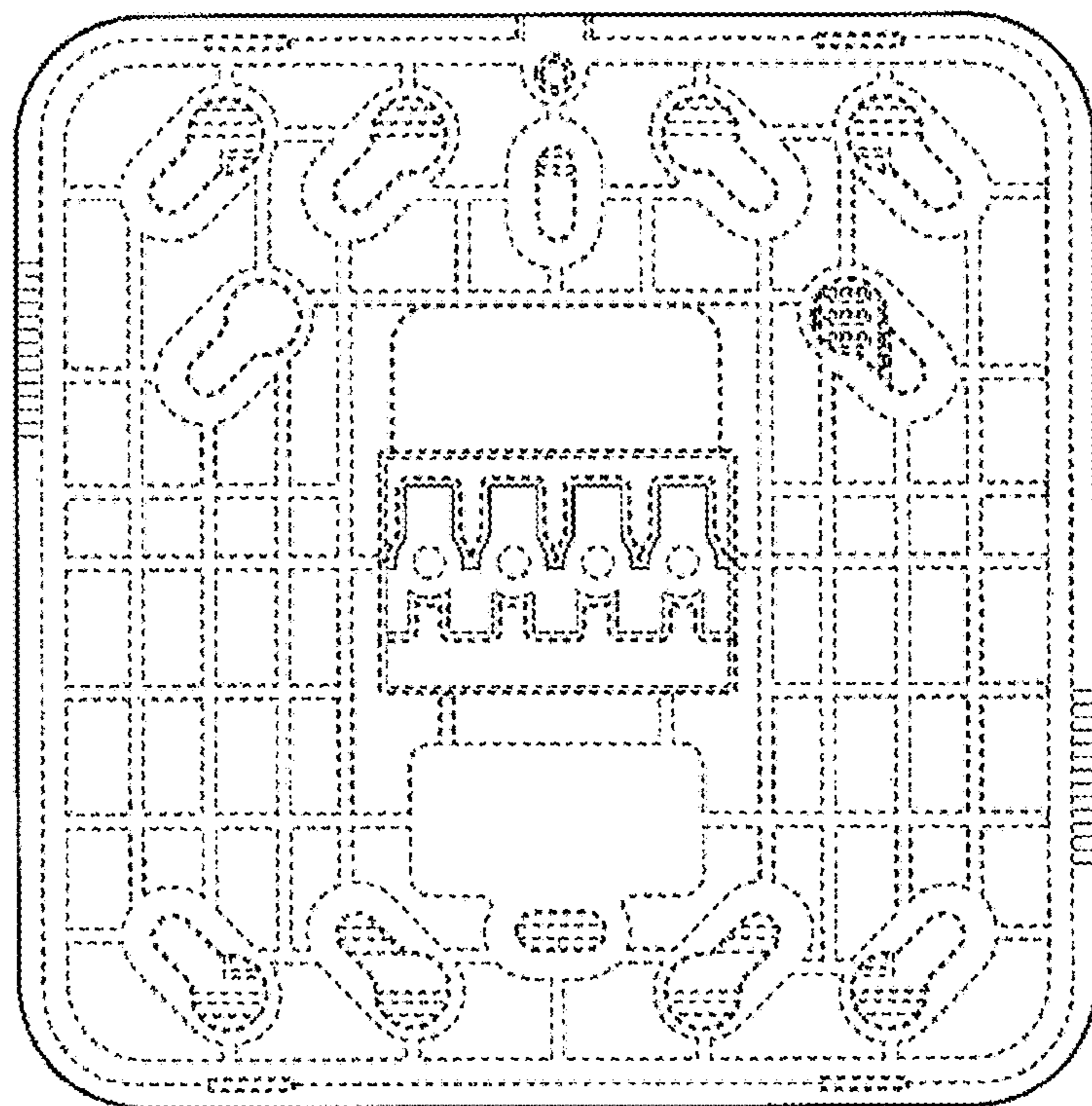


FIG. 10

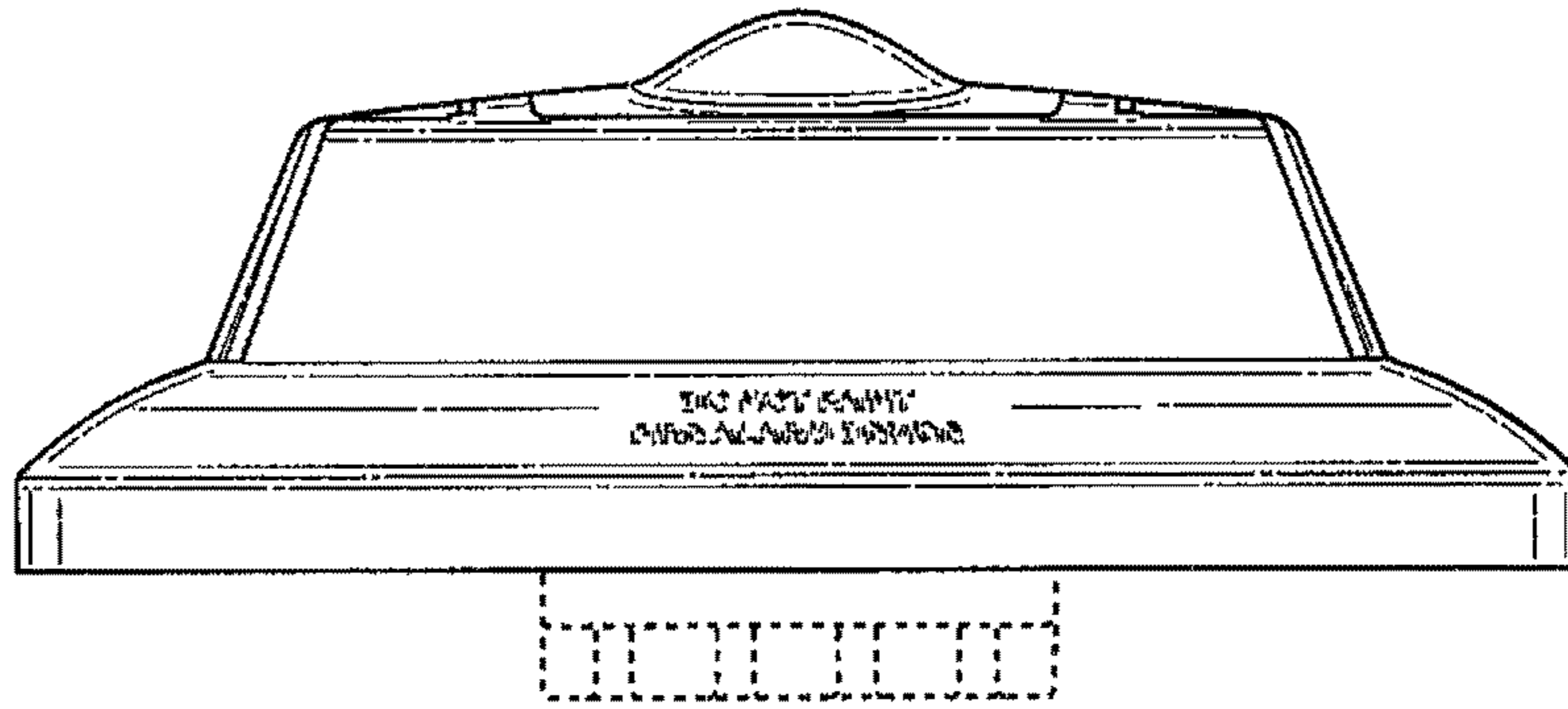


FIG. 11

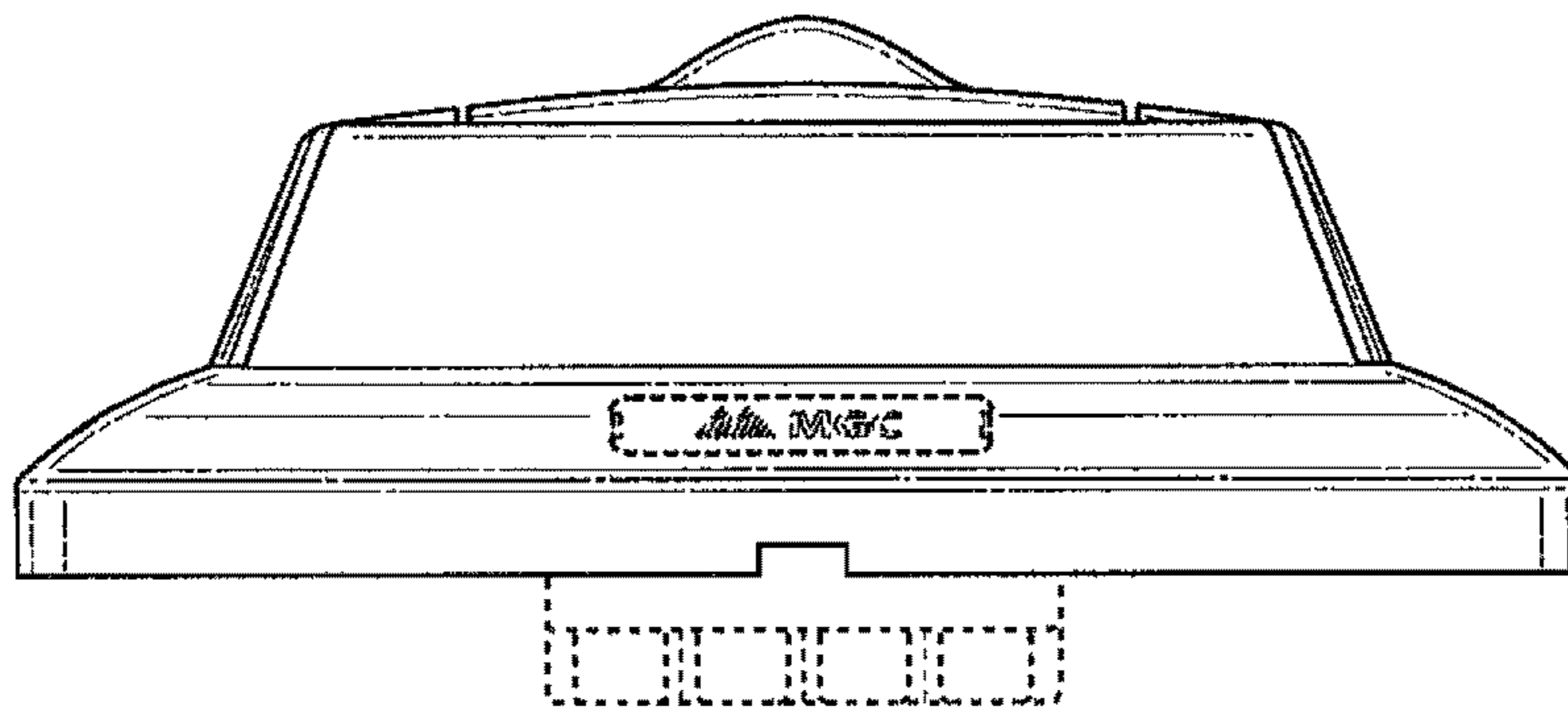


FIG. 12

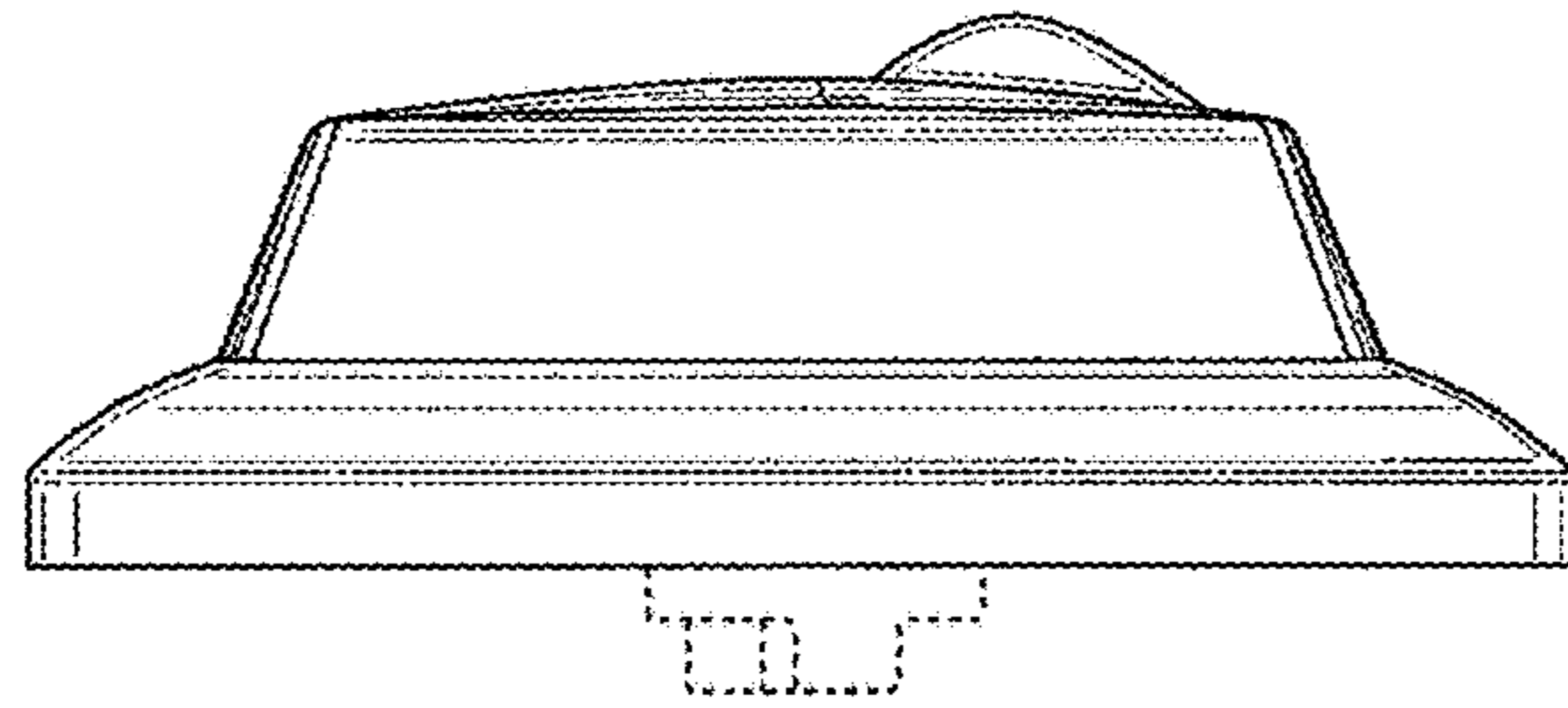


FIG. 13

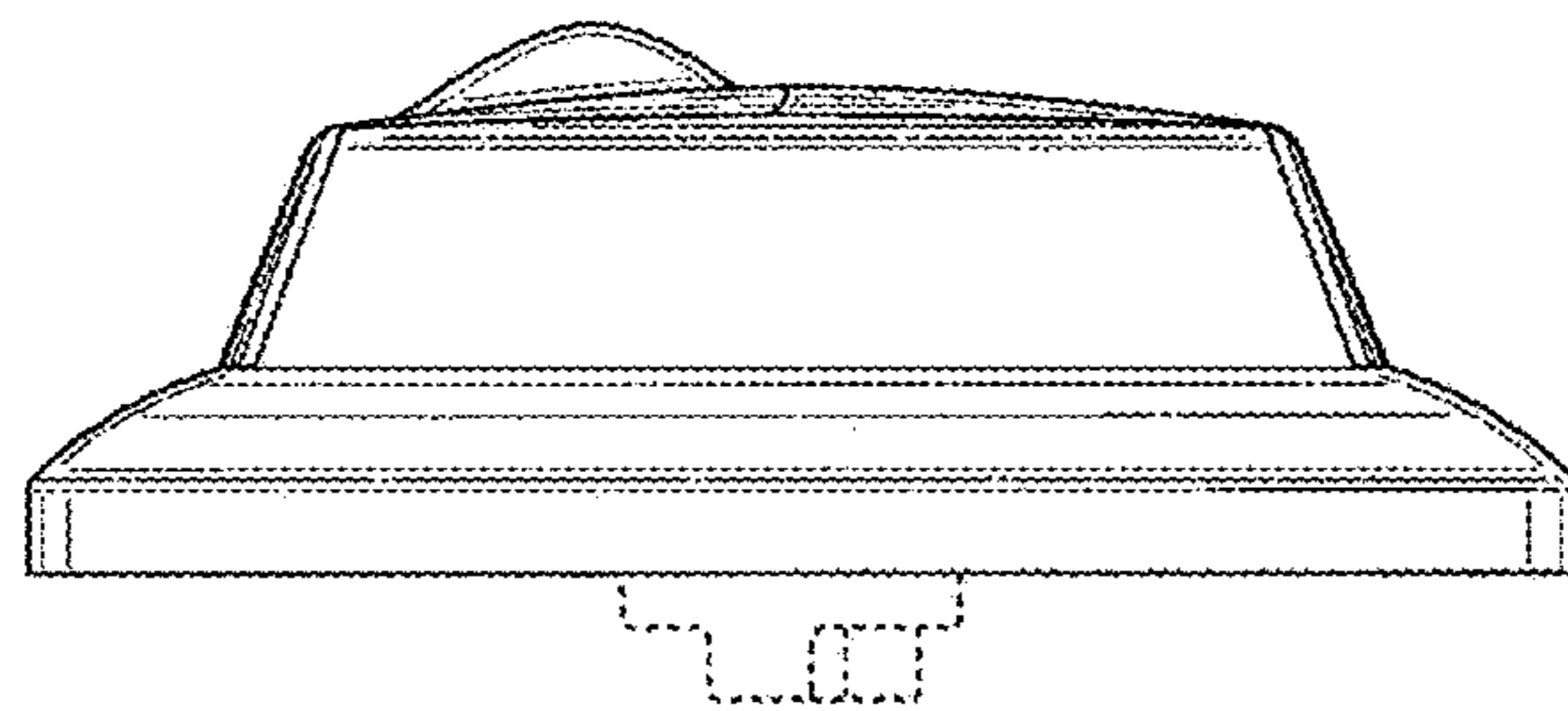


FIG. 14