



US00D794484S

(12) **United States Design Patent**
Takeya et al.

(10) **Patent No.:** **US D794,484 S**

(45) **Date of Patent:** **** Aug. 15, 2017**

(54) **ELECTRIC POWER METER**

(71) Applicant: **OMRON Corporation**, Kyoto-shi, Kyoto (JP)

(72) Inventors: **Akihiro Takeya**, Kusatsu (JP); **Satoshi Motouji**, Kyoto (JP); **Shinichiro Iura**, Kameoka (JP); **Goro Kawakami**, Kusatsu (JP); **Naoki Okada**, Itami (JP); **Koyuru Nakano**, Nara (JP); **Kazuo Inaba**, Nagaokakyo (JP)

(73) Assignee: **OMRON Corporation**, Kyoto-shi (JP)

(**) Term: **15 Years**

(21) Appl. No.: **29/556,857**

(22) Filed: **Mar. 3, 2016**

(30) **Foreign Application Priority Data**

Nov. 19, 2015 (JP) 2015-025954

(51) **LOC (10) Cl.** **10-04**

(52) **U.S. Cl.**
USPC **D10/103**

(58) **Field of Classification Search**
USPC D10/99, 100, 102, 103
CPC G01R 22/00; G01R 22/06; G01R 22/061; G01R 22/08; G01R 22/10; G01R 22/065; G01R 21/00; G01R 21/06; G01R 21/133; G01R 21/1331; G01R 21/1333; G01R 21/1335; G01R 21/1336; G01R 21/1338
See application file for complete search history.

(56) **References Cited**

U.S. PATENT DOCUMENTS

D703,078 S * 4/2014 Hong D10/100
D772,088 S * 11/2016 Kono D10/100
D774,931 S * 12/2016 Kono D10/100

OTHER PUBLICATIONS

U.S. Appl. No. 29/556,856, filed Mar. 3, 2016; Takeya et al.

* cited by examiner

Primary Examiner — Antoine D Davis

(74) *Attorney, Agent, or Firm* — Sterne, Kessler, Goldstein & Fox P.L.L.C.

(57) **CLAIM**

The ornamental design for an electric power meter, as shown and described.

DESCRIPTION

FIG. 1 is a top, front and left side perspective view of an electric power meter;
FIG. 2 is a front elevational view thereof;
FIG. 3 is a rear elevational view thereof;
FIG. 4 is a left side view thereof;
FIG. 5 is a right side view thereof;
FIG. 6 is a top plan view thereof;
FIG. 7 is a bottom plan view thereof;
FIG. 8 is a top, front and left side perspective view thereof in an opened position; and,
FIG. 9 is a top, front and right side perspective view thereof in the opened position.
The dashed broken lines in the figures show portions of the electric power meter that form no part of the claimed design. The dot-dash broken lines in the figures show boundaries of the claimed design.

1 Claim, 9 Drawing Sheets

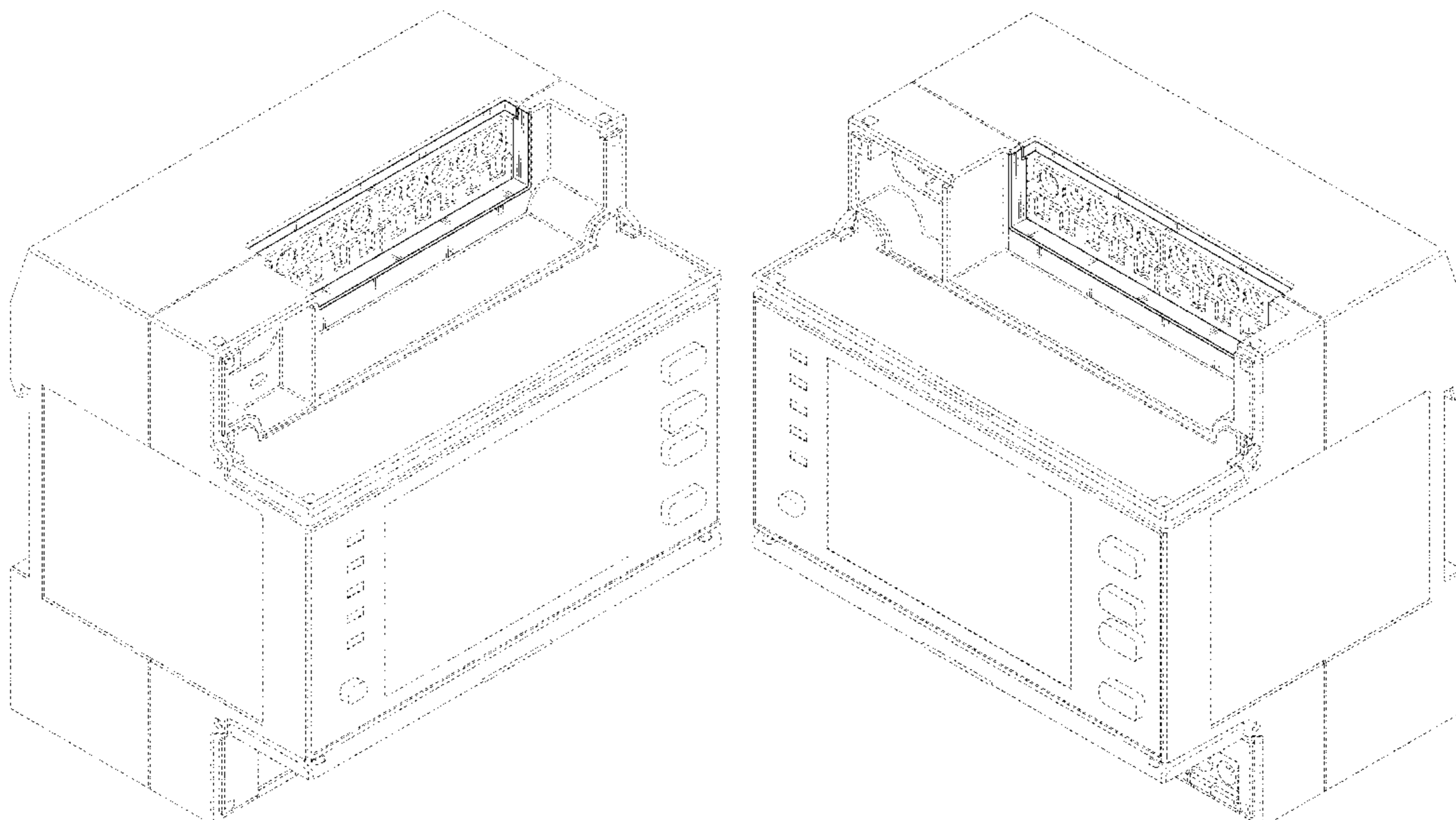


Fig. 1

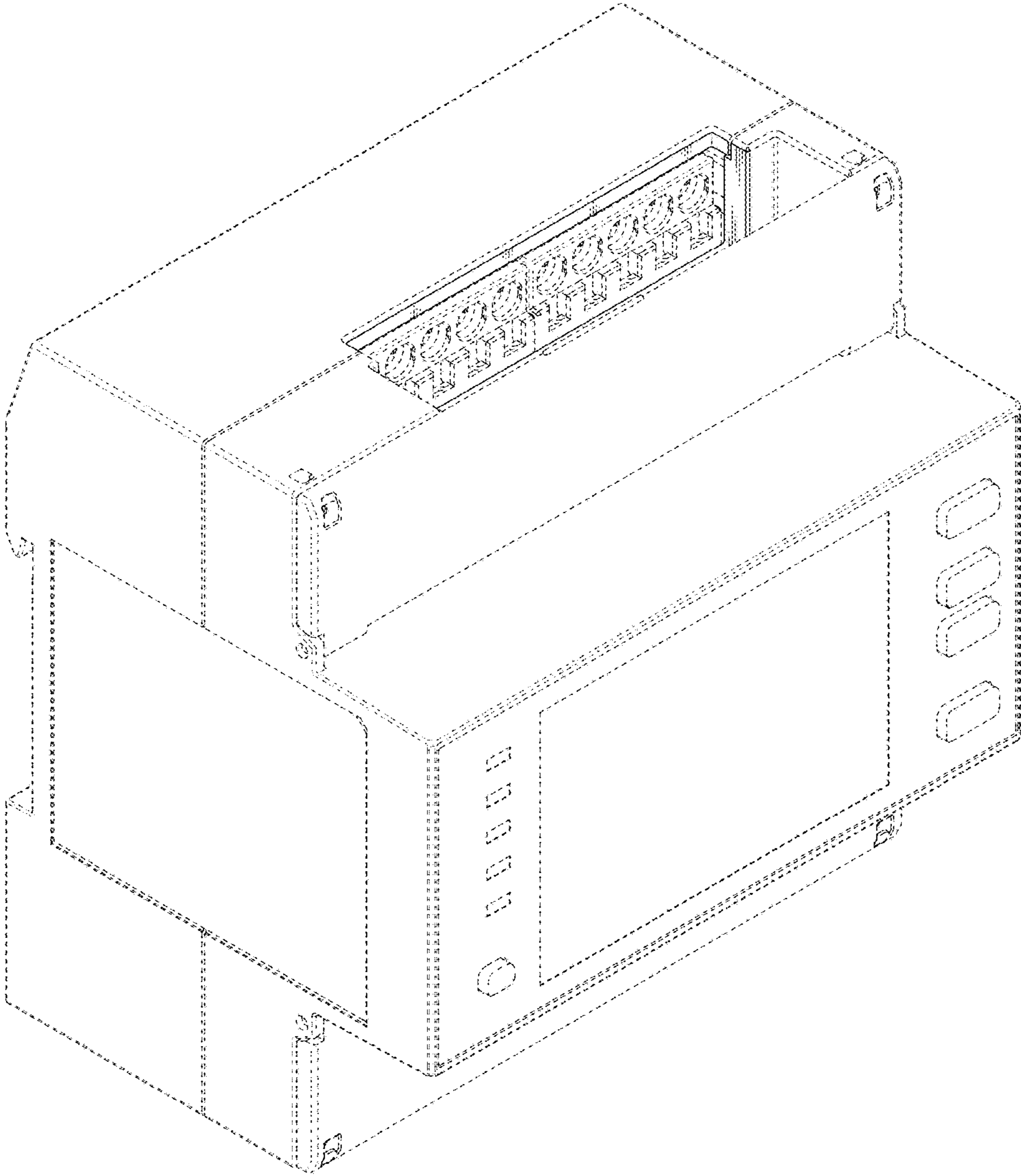


Fig. 2

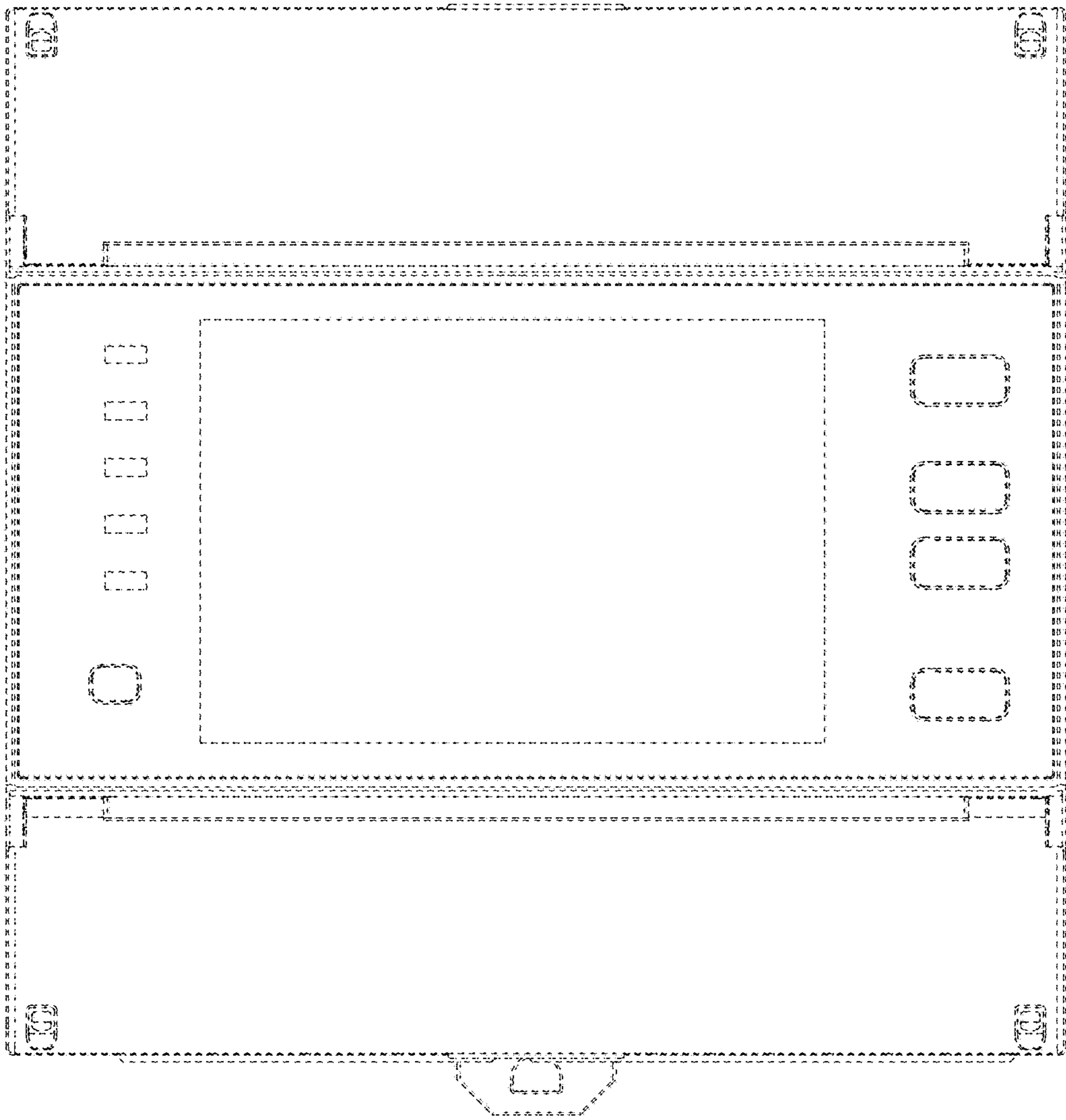


Fig. 3

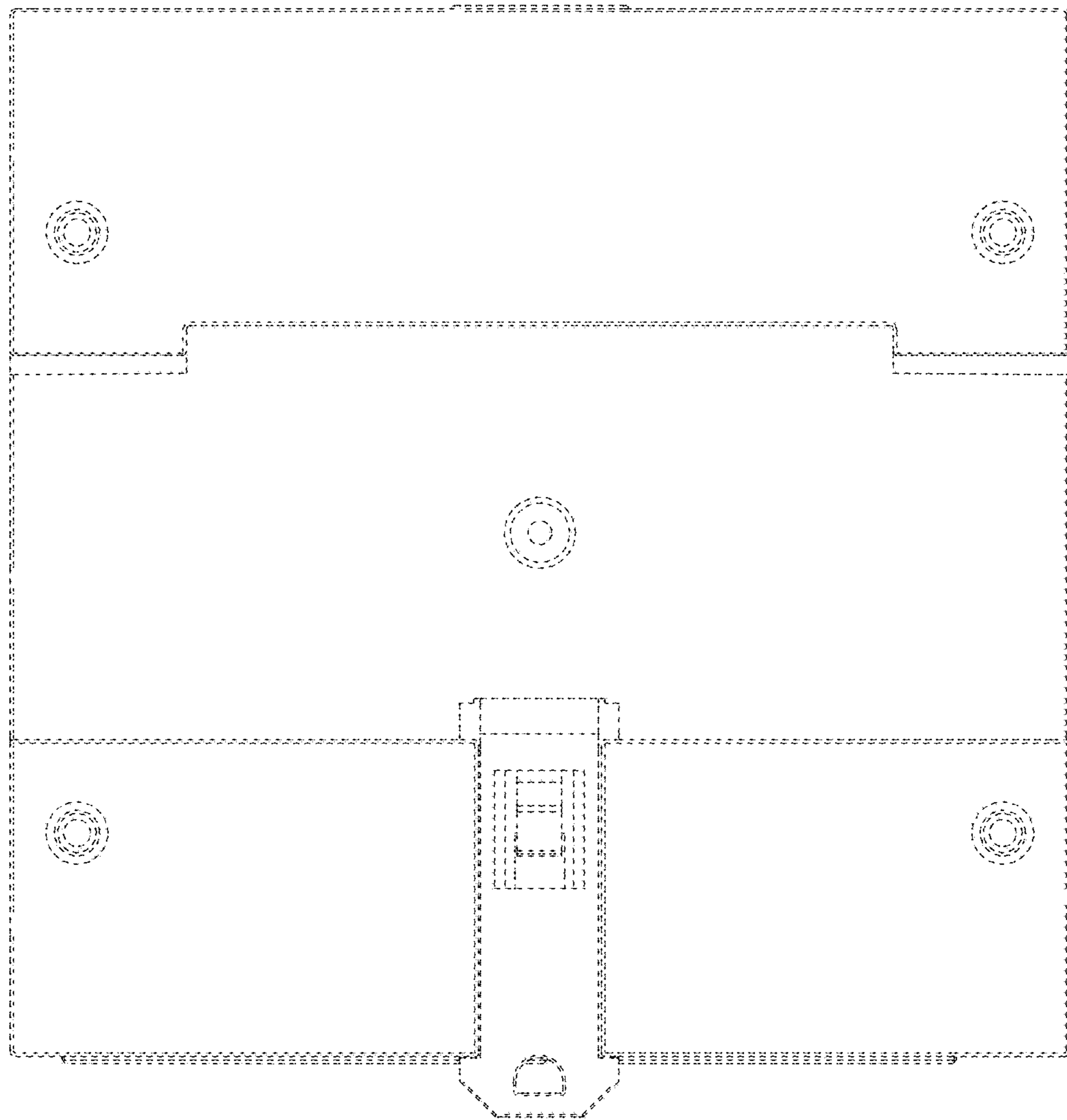


Fig. 4

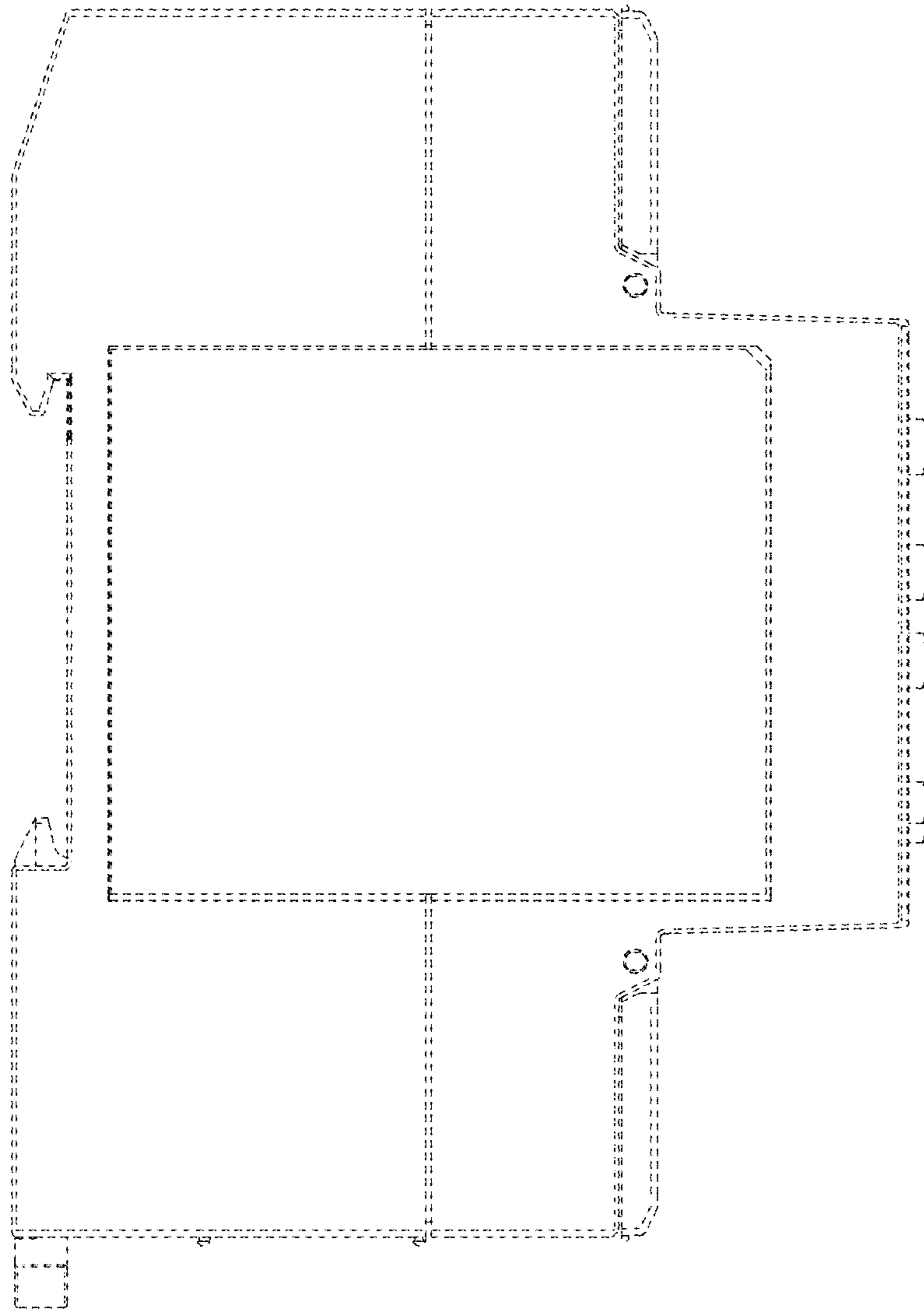


Fig. 5

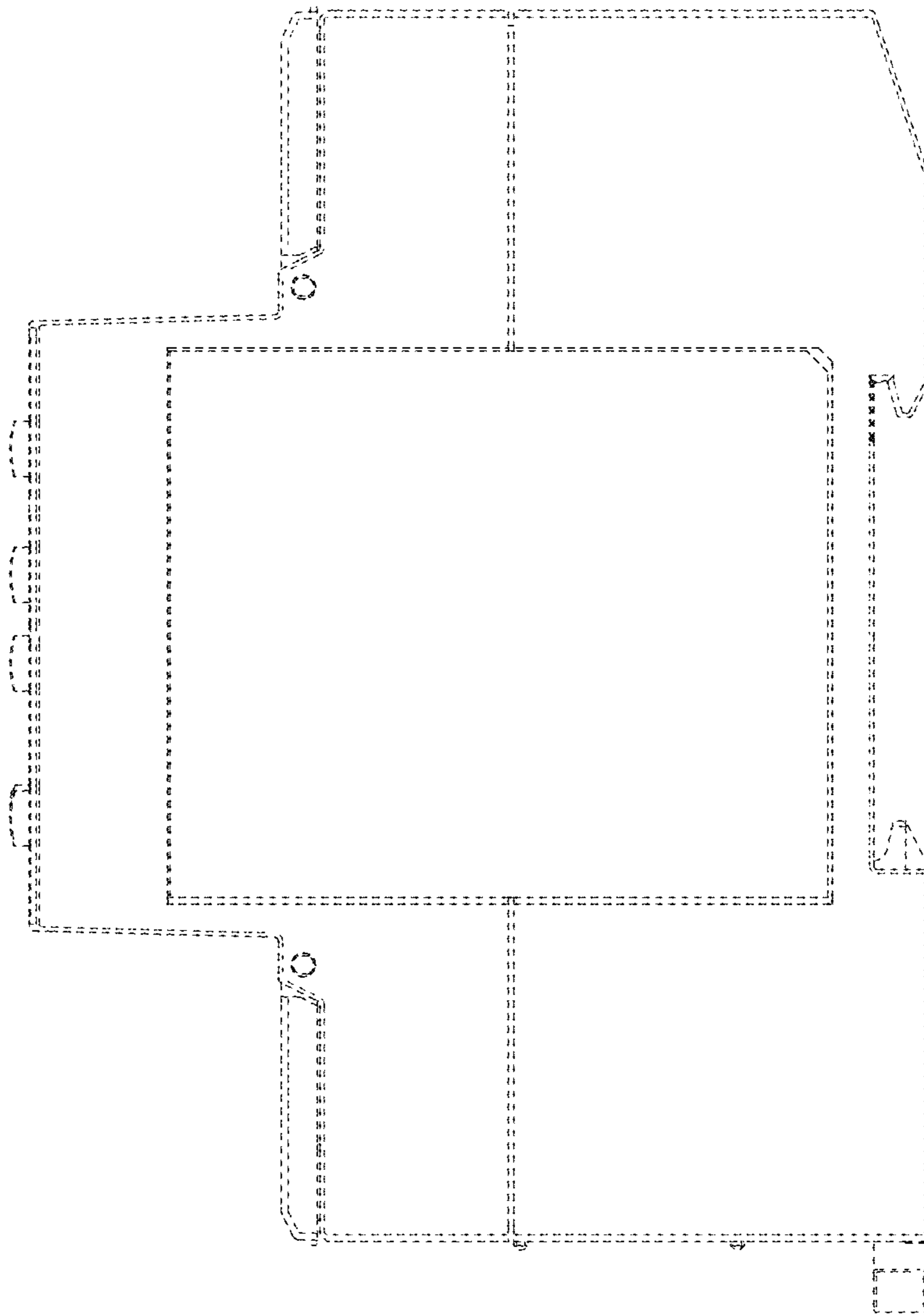


Fig. 6

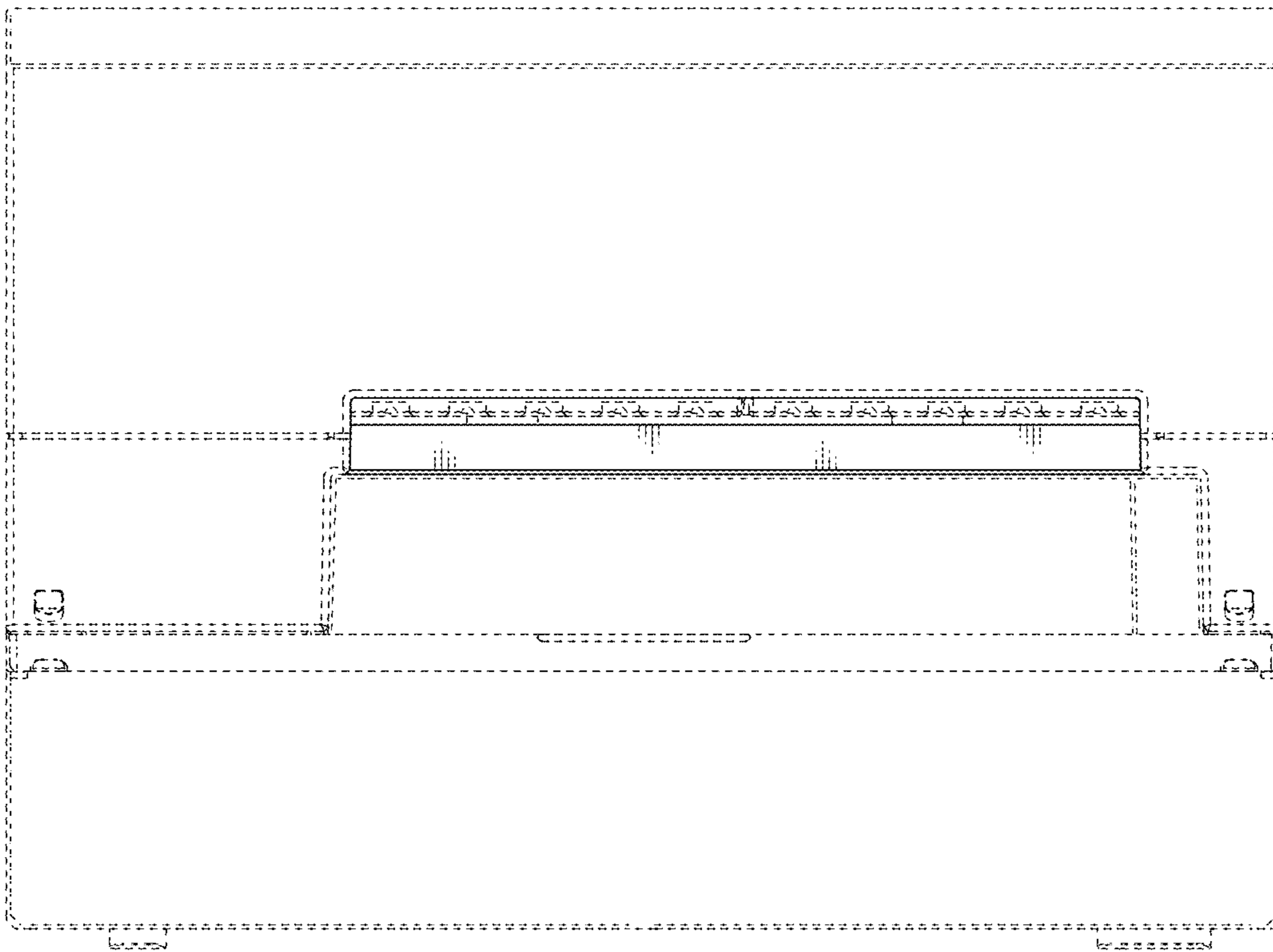


Fig. 7

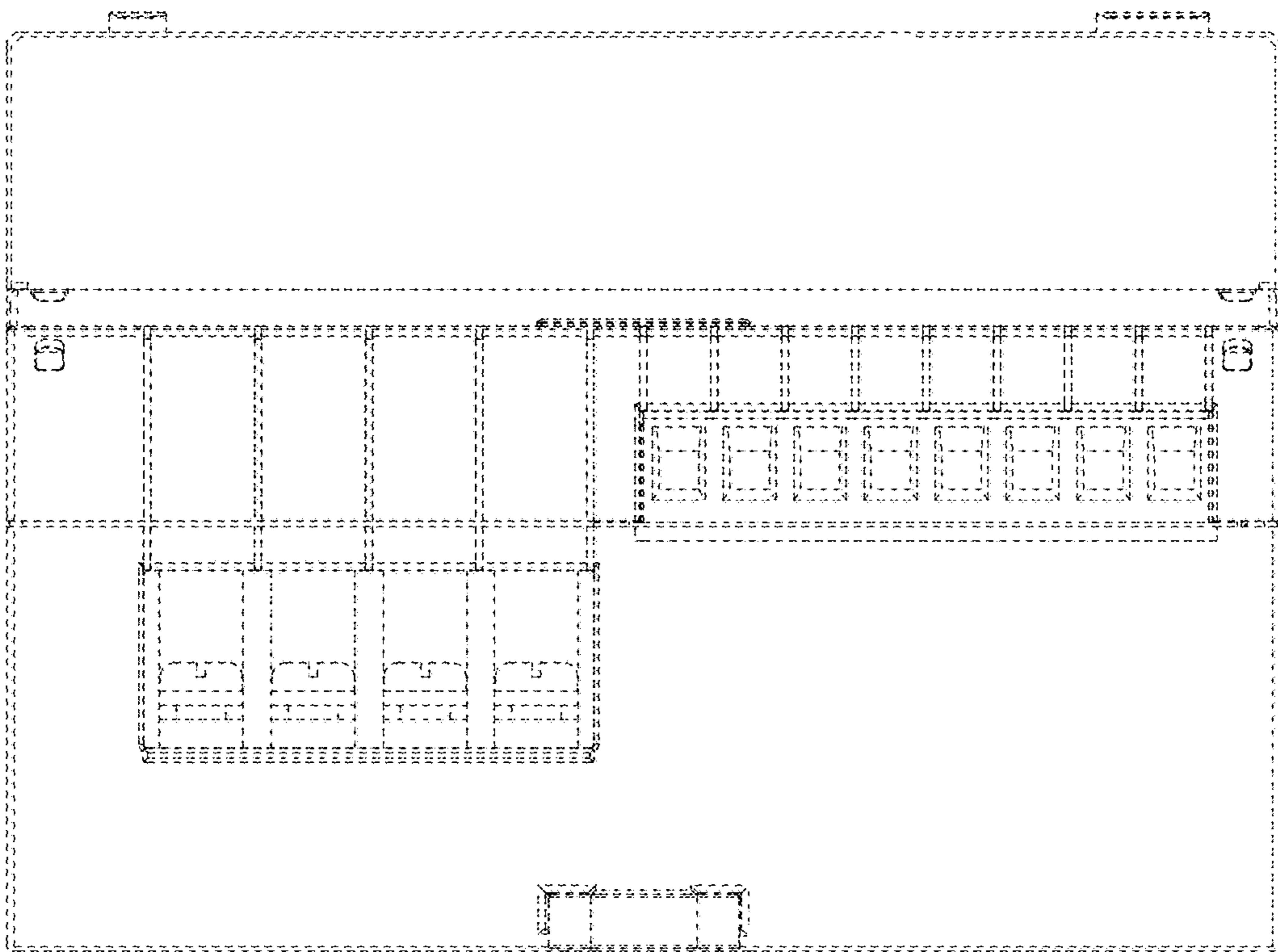


Fig. 8

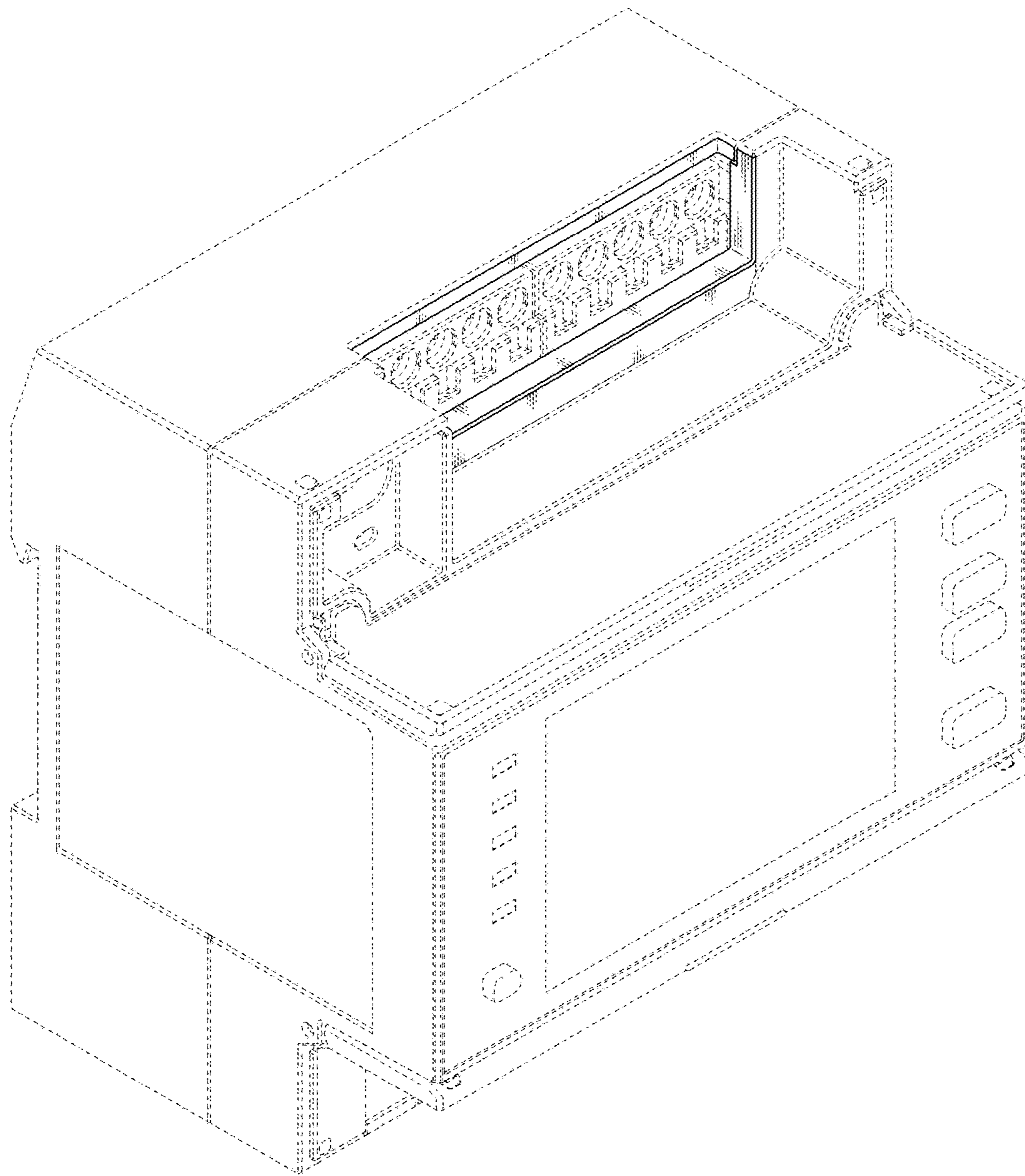


Fig. 9

