



US00D794482S

(12) **United States Design Patent**
Gao et al.

(10) **Patent No.:** **US D794,482 S**

(45) **Date of Patent:** **** Aug. 15, 2017**

(54) **TABLETOP MEASURING INSTRUMENT**

(71) Applicant: **Mettler-Toledo GmbH**, Greifensee (CH)

(72) Inventors: **Yichen Gao**, Shanghai (CN); **Chong Zhu**, Shanghai (CN)

(73) Assignee: **Mettler-Toledo GmbH**, Greifensee (CH)

(**) Term: **15 Years**

(21) Appl. No.: **29/555,581**

(22) Filed: **Feb. 23, 2016**

(30) **Foreign Application Priority Data**

Aug. 26, 2015 (CN) 2015 3 0323360

Aug. 26, 2015 (EM) 002760868

(51) **LOC (10) Cl.** **10-04**

(52) **U.S. Cl.**
USPC **D10/81; D10/78**

(58) **Field of Classification Search**
USPC D10/75, 78, 81, 46
CPC G01N 27/4166; G01N 27/4167; G01N 21/80; G01N 31/22; G01N 31/221; G01N 21/78; A61B 5/145; A61B 5/14539
See application file for complete search history.

(56) **References Cited**

U.S. PATENT DOCUMENTS

D386,099 S * 11/1997 Billington D10/75
D670,587 S * 11/2012 Fitzpatrick D10/81
9,237,867 B2 * 1/2016 Richter G01N 33/48757
9,562,909 B2 * 2/2017 Fukuda A61B 5/14532

* cited by examiner

Primary Examiner — Antoine D Davis

(74) *Attorney, Agent, or Firm* — Standley Law Group LLP

(57) **CLAIM**

The ornamental design for a tabletop measuring instrument, as shown and described.

DESCRIPTION

FIG. 1 is a front perspective view of the tabletop measuring instrument, with a deployable probe holder in a stowed position;

FIG. 2 is a top plan view thereof;

FIG. 3 is a bottom plan view thereof;

FIG. 4 is a front elevation view thereof;

FIG. 5 is a rear elevation view thereof;

FIG. 6 is a right side elevation view thereof;

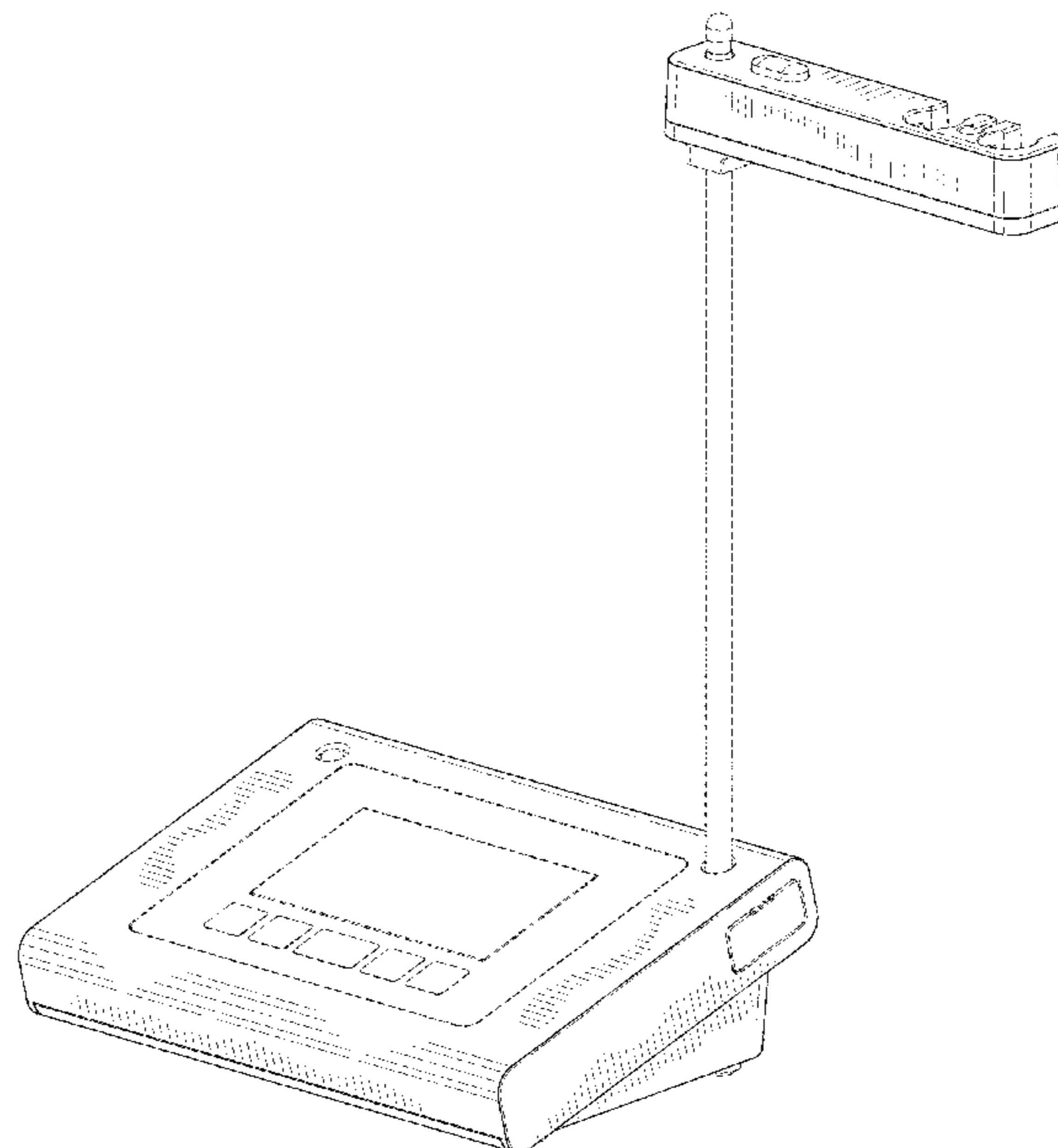
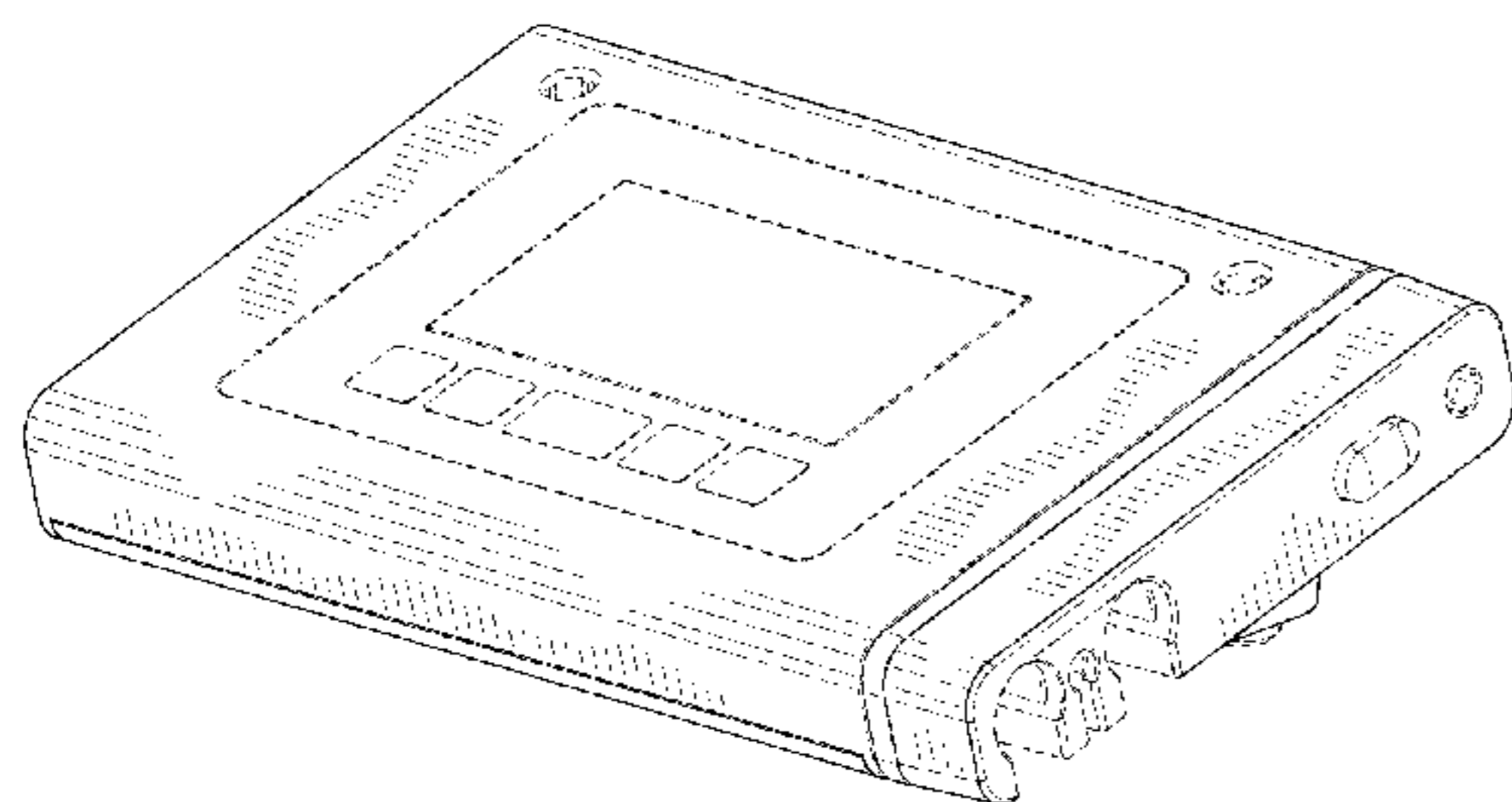
FIG. 7 is a left side elevation view thereof;

FIG. 8 is a front perspective view thereof, with the probe holder in a first deployed position; and,

FIG. 9 is a front perspective view thereof, with the probe holder in a second deployed position.

The broken lines are shown for environmental purposes only and form no part of the claimed design.

1 Claim, 5 Drawing Sheets



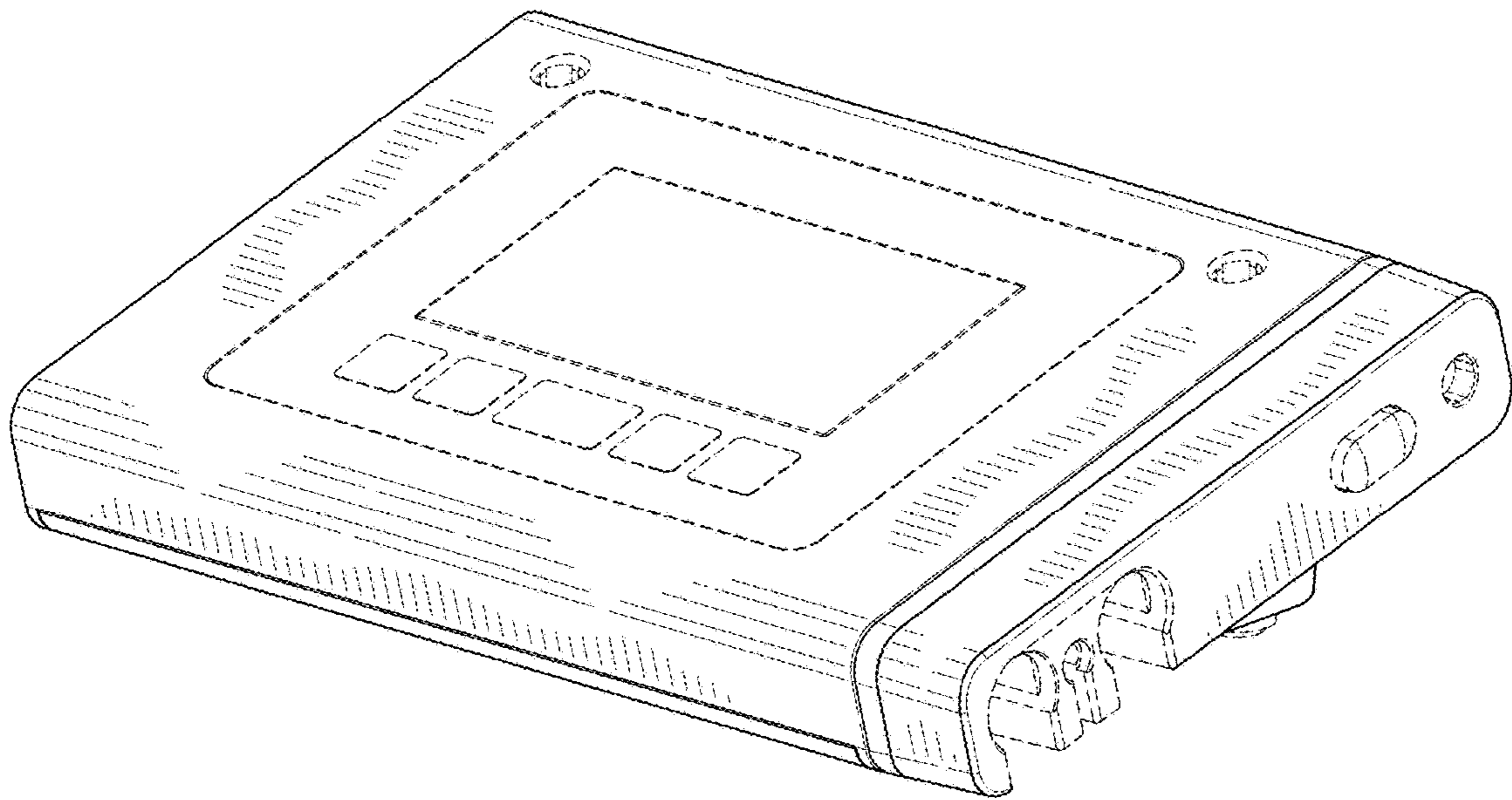


FIG. 1

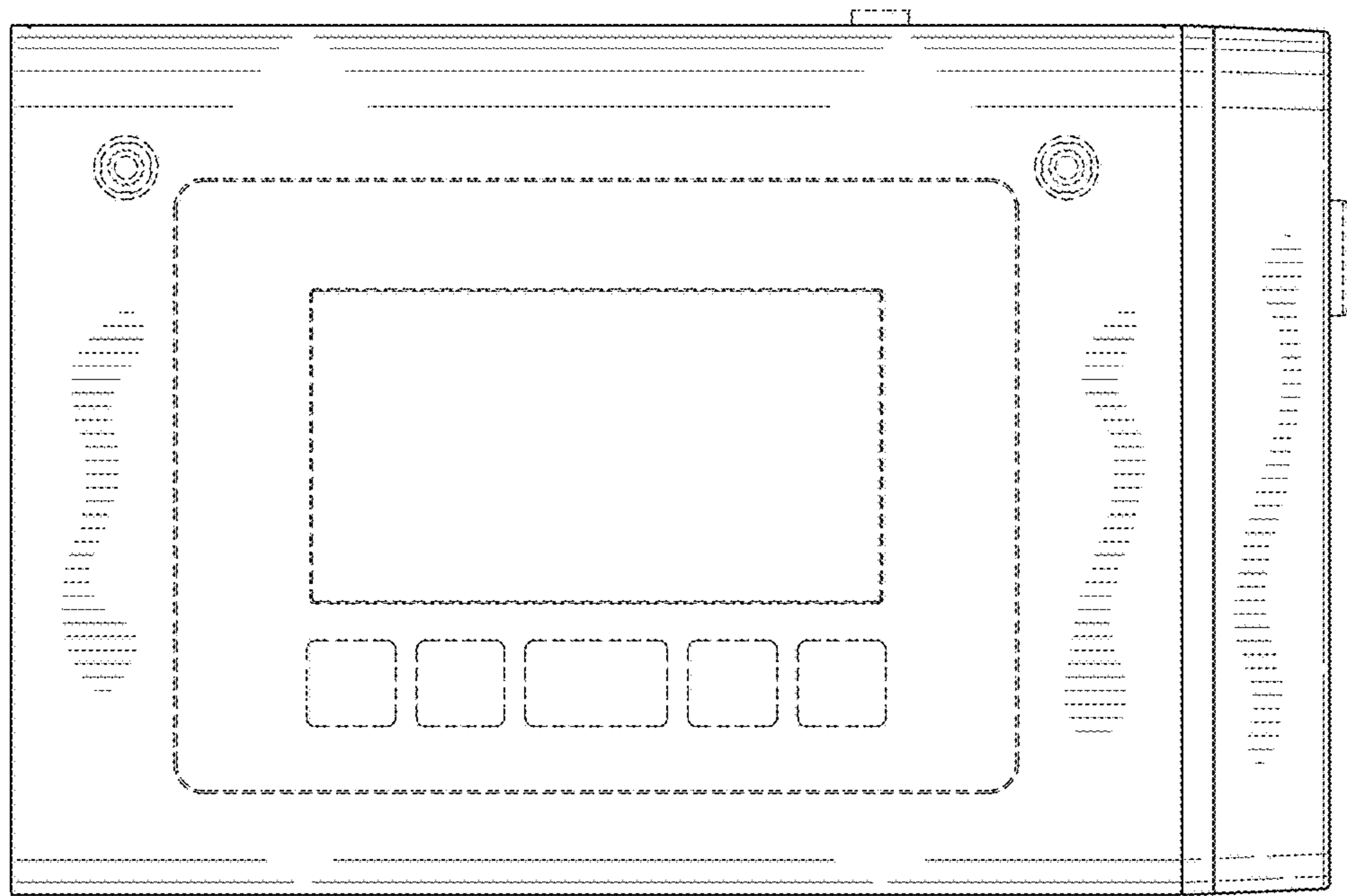


FIG. 2

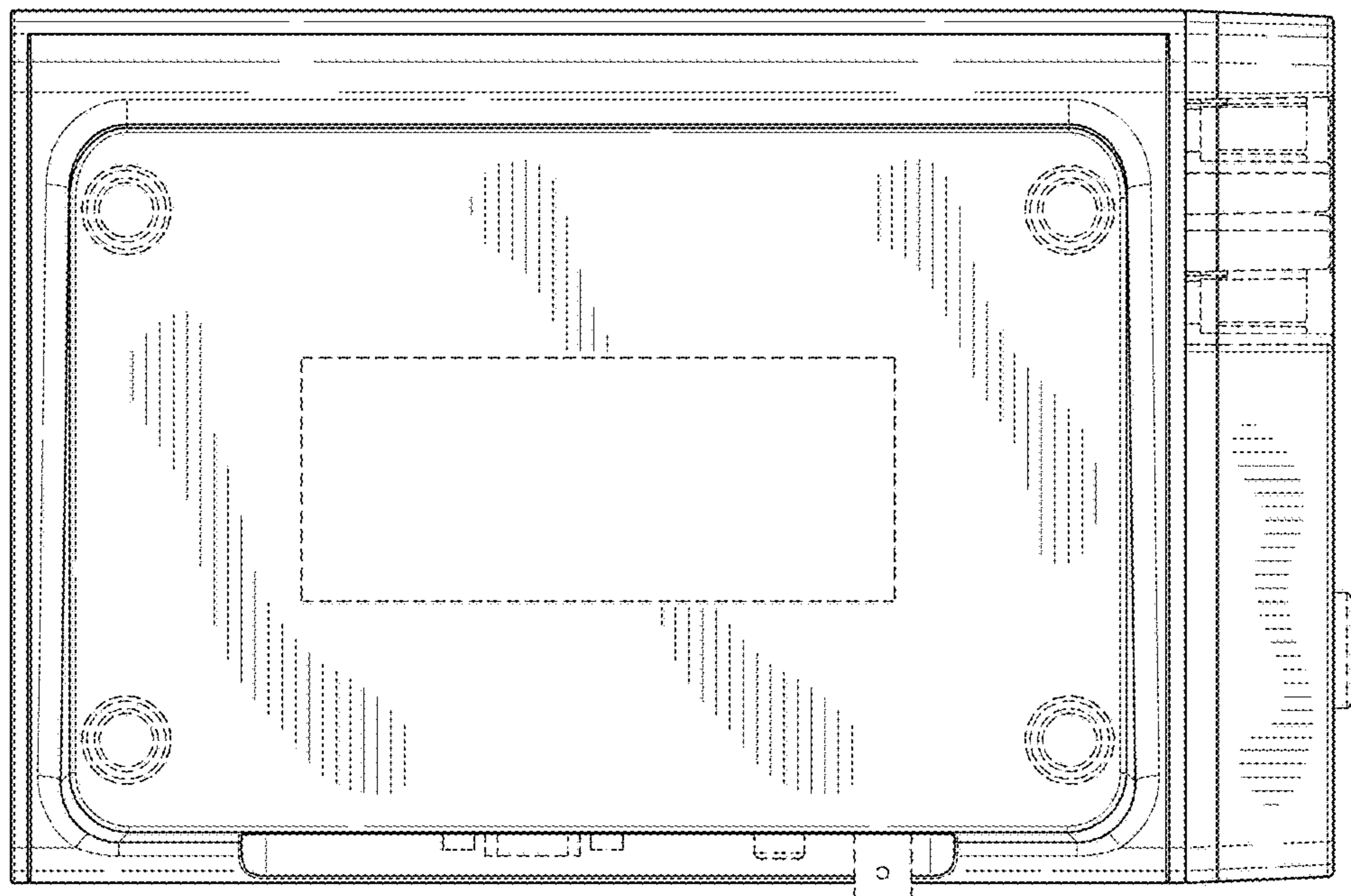


FIG. 3

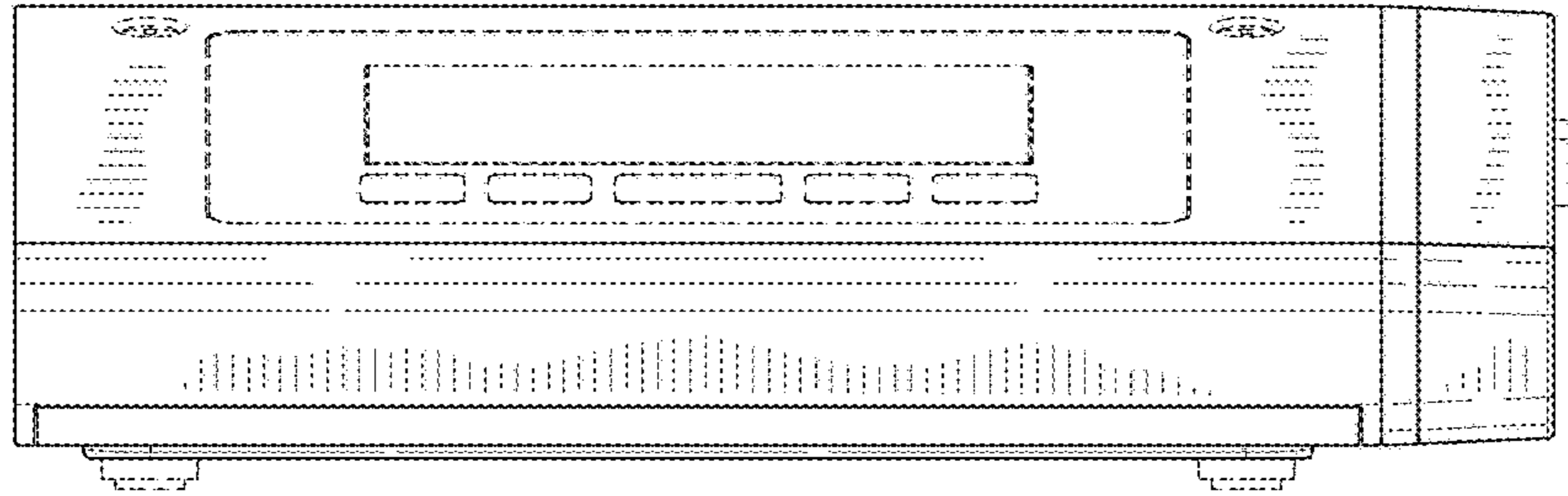


FIG. 4

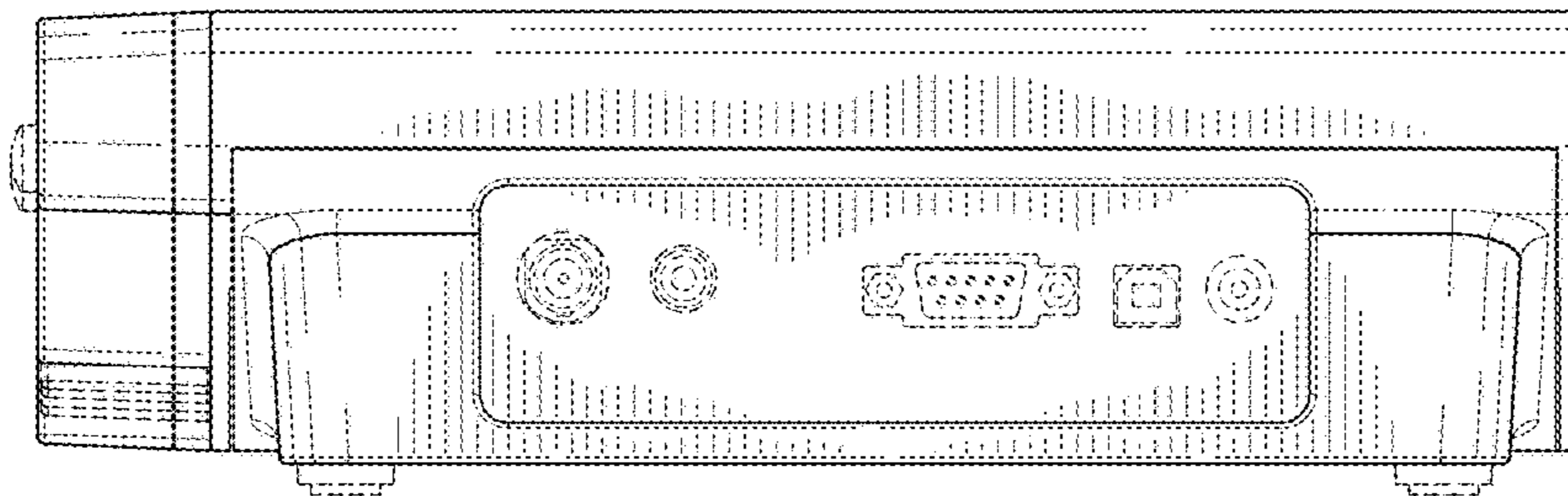


FIG. 5

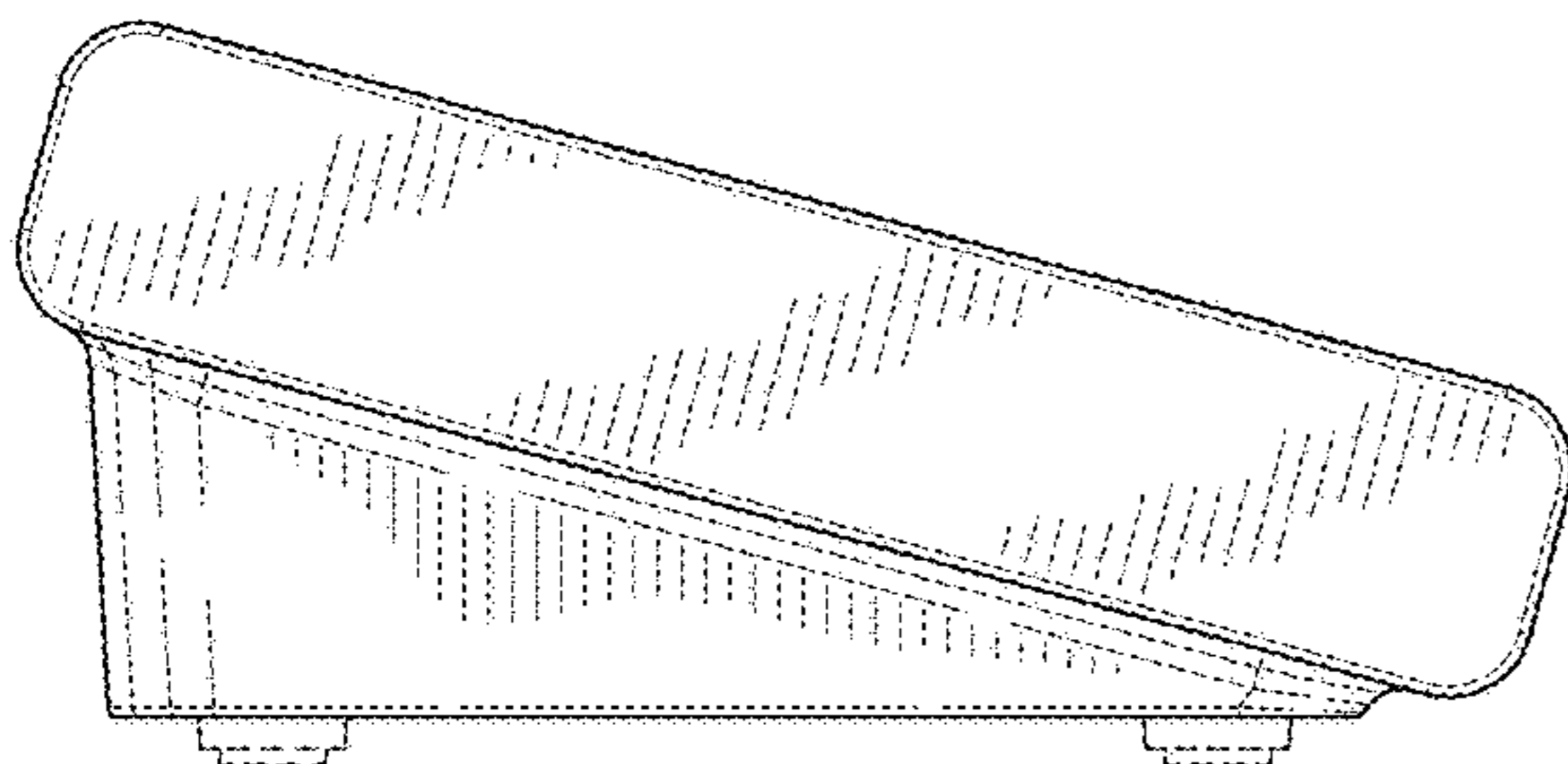


FIG. 6

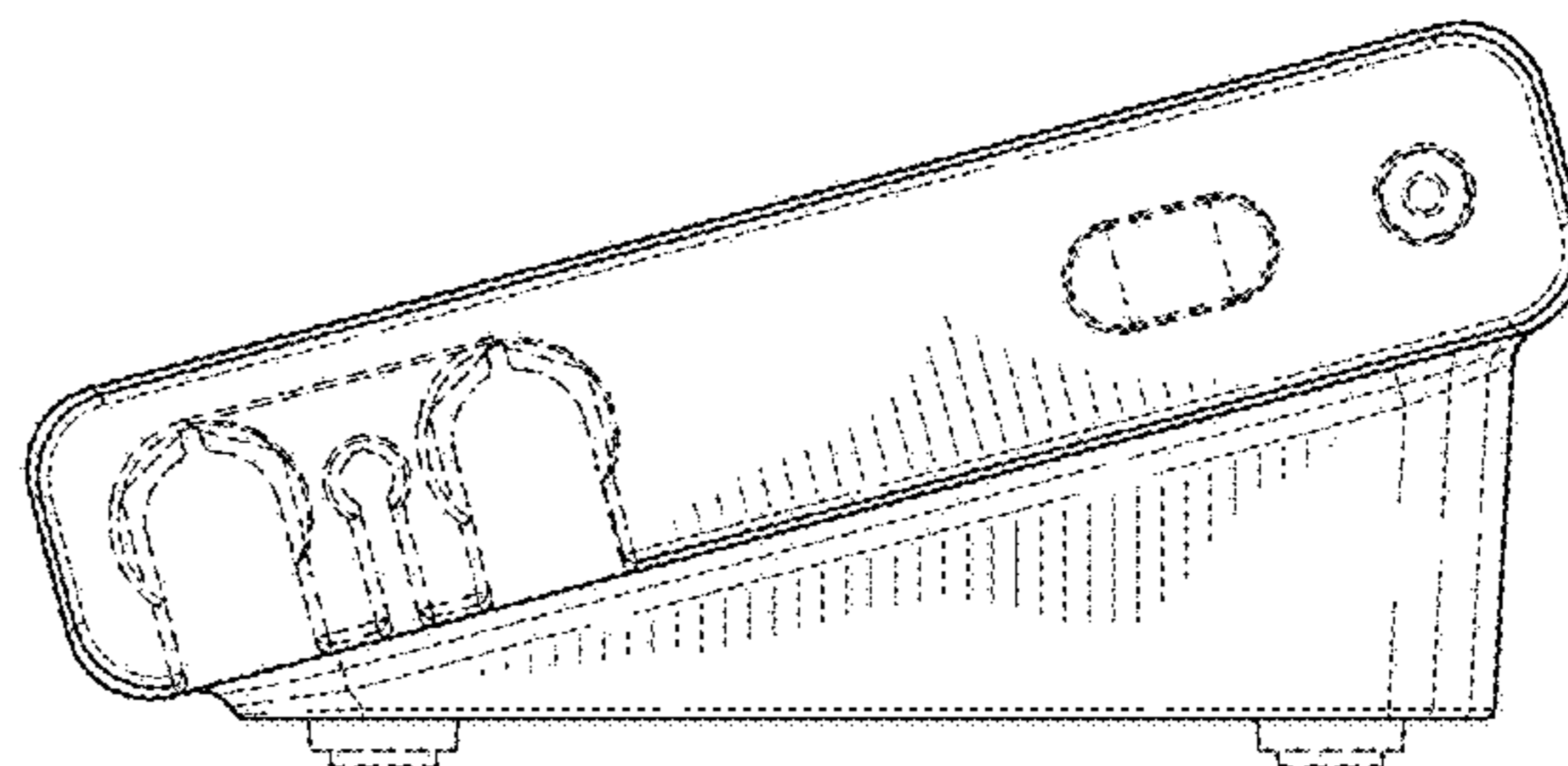


FIG. 7

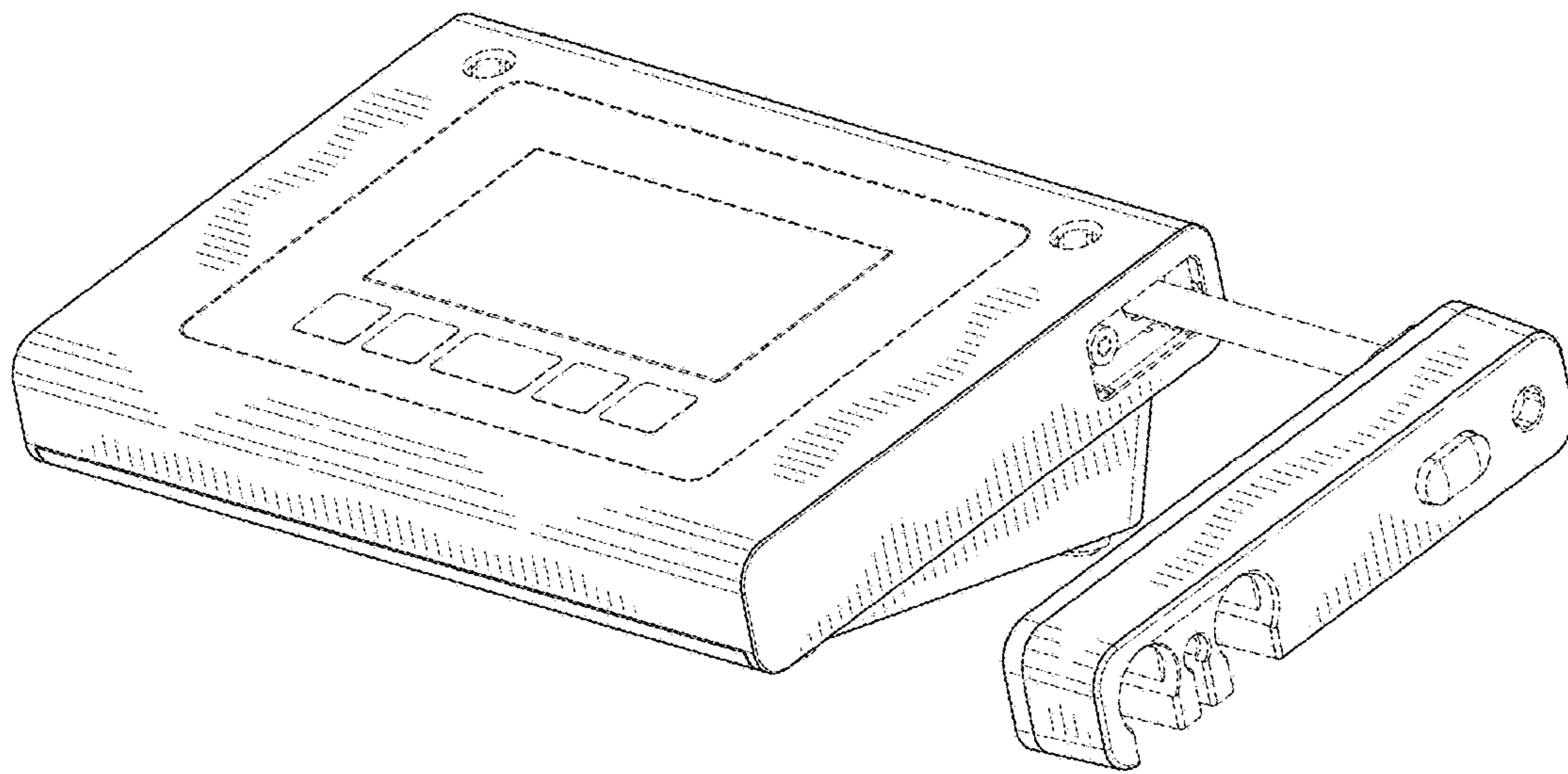


FIG. 8

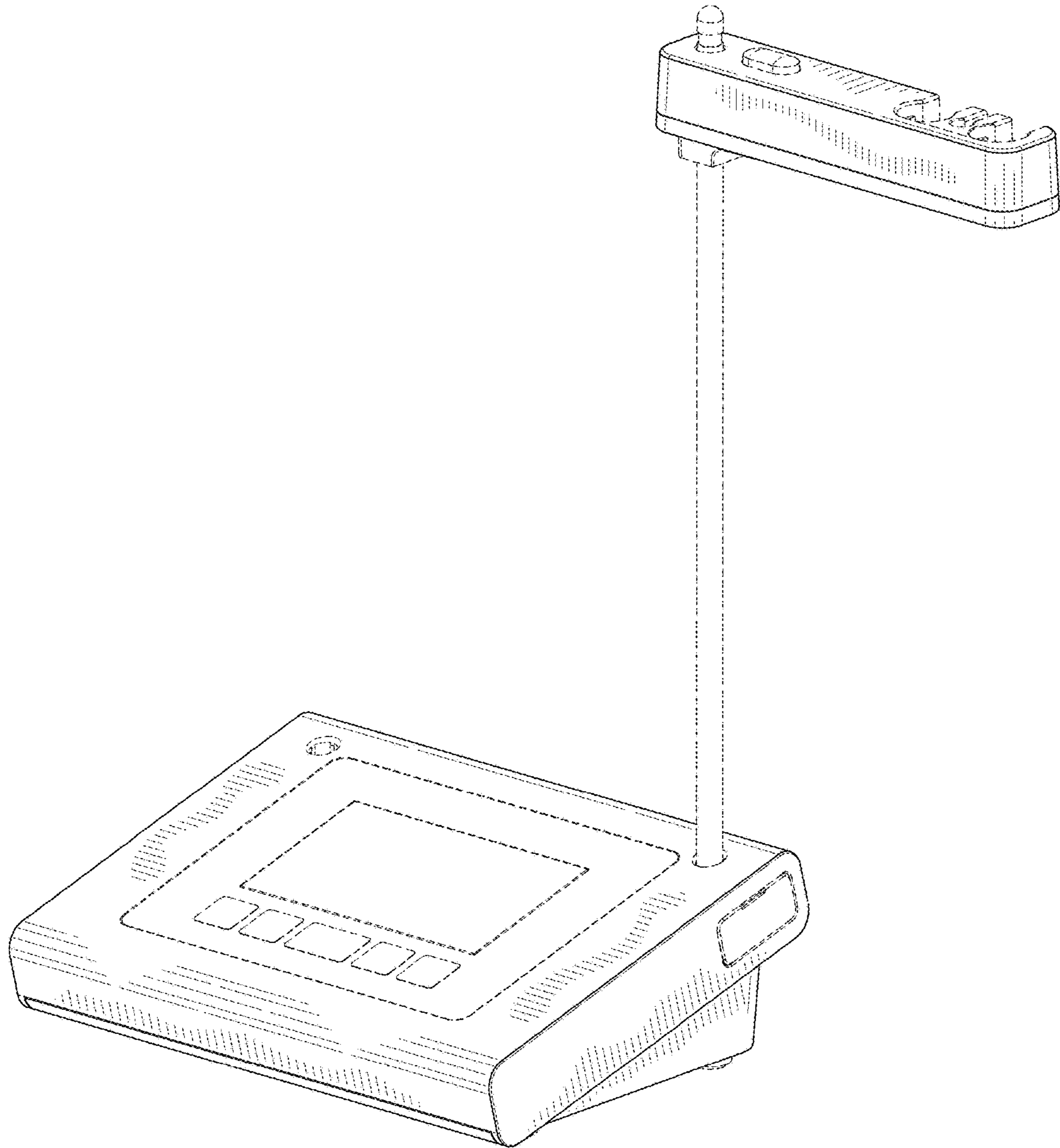


FIG. 9