



US00D794481S

(12) **United States Design Patent** (10) **Patent No.:** **US D794,481 S**
Small (45) **Date of Patent:** **** Aug. 15, 2017**

(54) **ULTRA-COMPACT VISIBLE SPECTRAL SENSOR CASE**
(71) Applicant: **Farrell A. Small**, Sanford, FL (US)
(72) Inventor: **Farrell A. Small**, Sanford, FL (US)
(73) Assignee: **Ocean Optics, Inc.**, Dunedin, FL (US)
(**) Term: **15 Years**

Primary Examiner — Antoine D Davis
(74) *Attorney, Agent, or Firm* — Dennis L. Cook, Esq.

(21) Appl. No.: **29/554,535**
(22) Filed: **Feb. 12, 2016**
(51) **LOC (10) Cl.** **10-04**
(52) **U.S. Cl.**
USPC **D10/81**
(58) **Field of Classification Search**
USPC D10/81
CPC G01J 3/00; G01J 3/0202; G01J 3/0205;
G01J 3/0208; G01J 3/021; G01J 3/0213;
G01J 3/0216; G01J 3/0218; G01J 3/0221;
G01J 3/0224; G01J 3/0227; G01J 3/0229;
G01J 3/0232; G01J 3/0235; G01J 3/0237;
G01J 3/024; G01J 3/0243
See application file for complete search history.

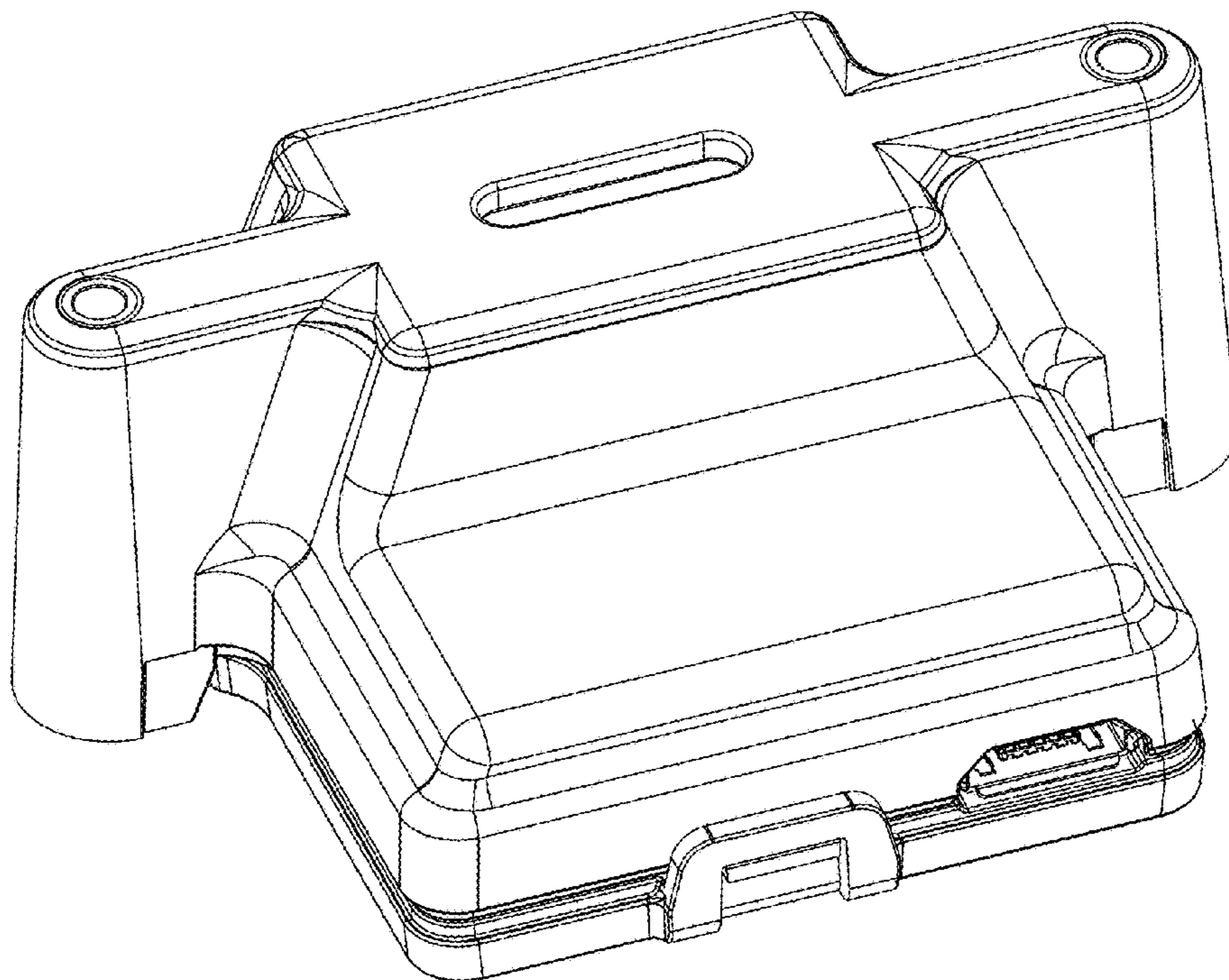
(57) **CLAIM**
The ornamental design for a ultra-compact visible spectral sensor case, as shown and described.

DESCRIPTION

FIG. 1 is a perspective view of an ultra-compact visible spectral sensor case showing my new design;
FIG. 2 is a top view of an ultra-compact visible spectral sensor case showing my new design;
FIG. 3 is a bottom view of an ultra-compact visible spectral sensor case showing my new design;
FIG. 4 is a front view of an ultra-compact visible spectral sensor case showing my new design;
FIG. 5 is a back view of an ultra-compact visible spectral sensor case showing my new design;
FIG. 6 is a right side view of an ultra-compact visible spectral sensor case showing my new design; and,
FIG. 7 is a left side view of an ultra-compact visible spectral sensor case showing my new design.

(56) **References Cited**
U.S. PATENT DOCUMENTS
D770,921 S * 11/2016 Nenonen D10/81
* cited by examiner

1 Claim, 4 Drawing Sheets



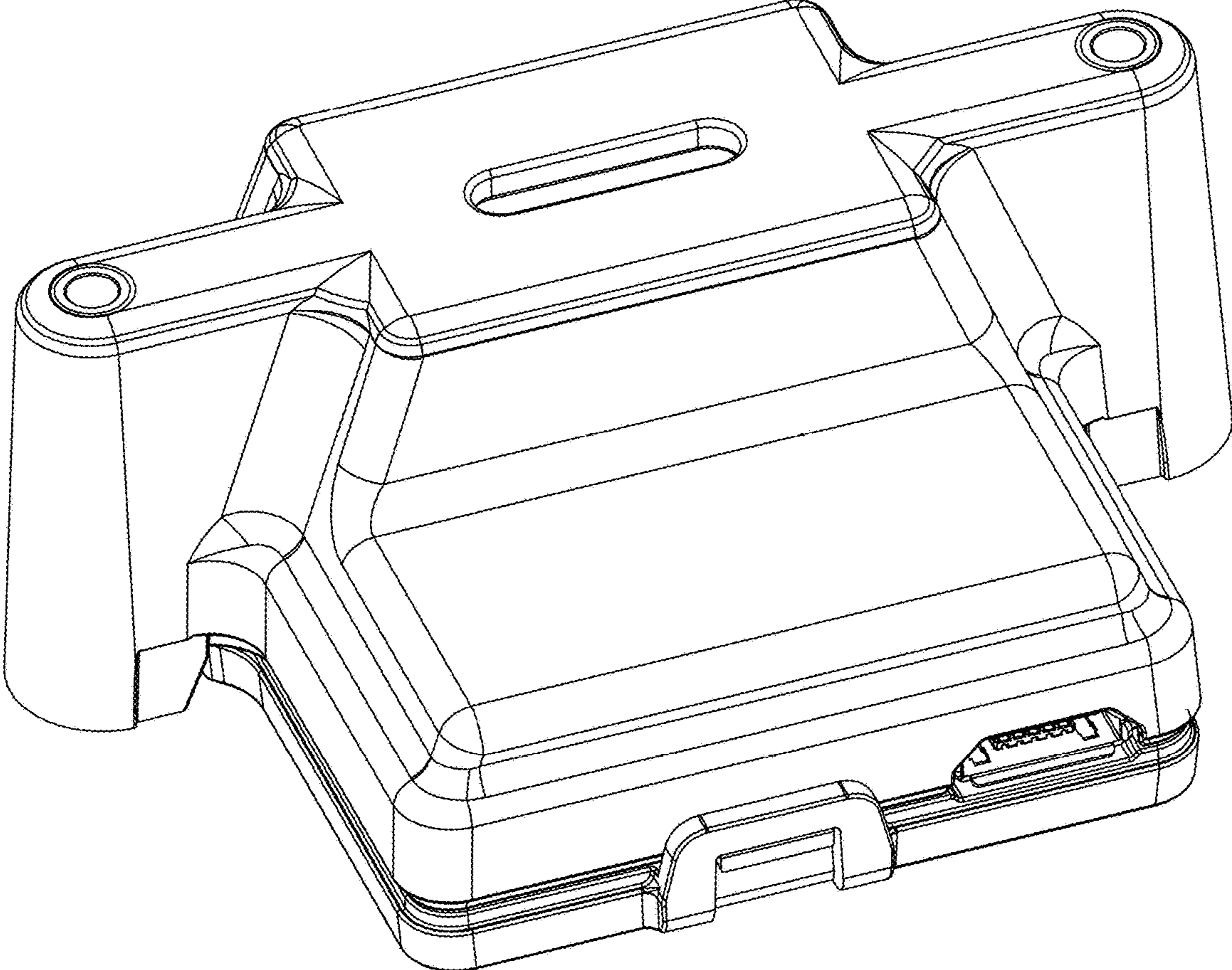


FIG 1

FIG 2

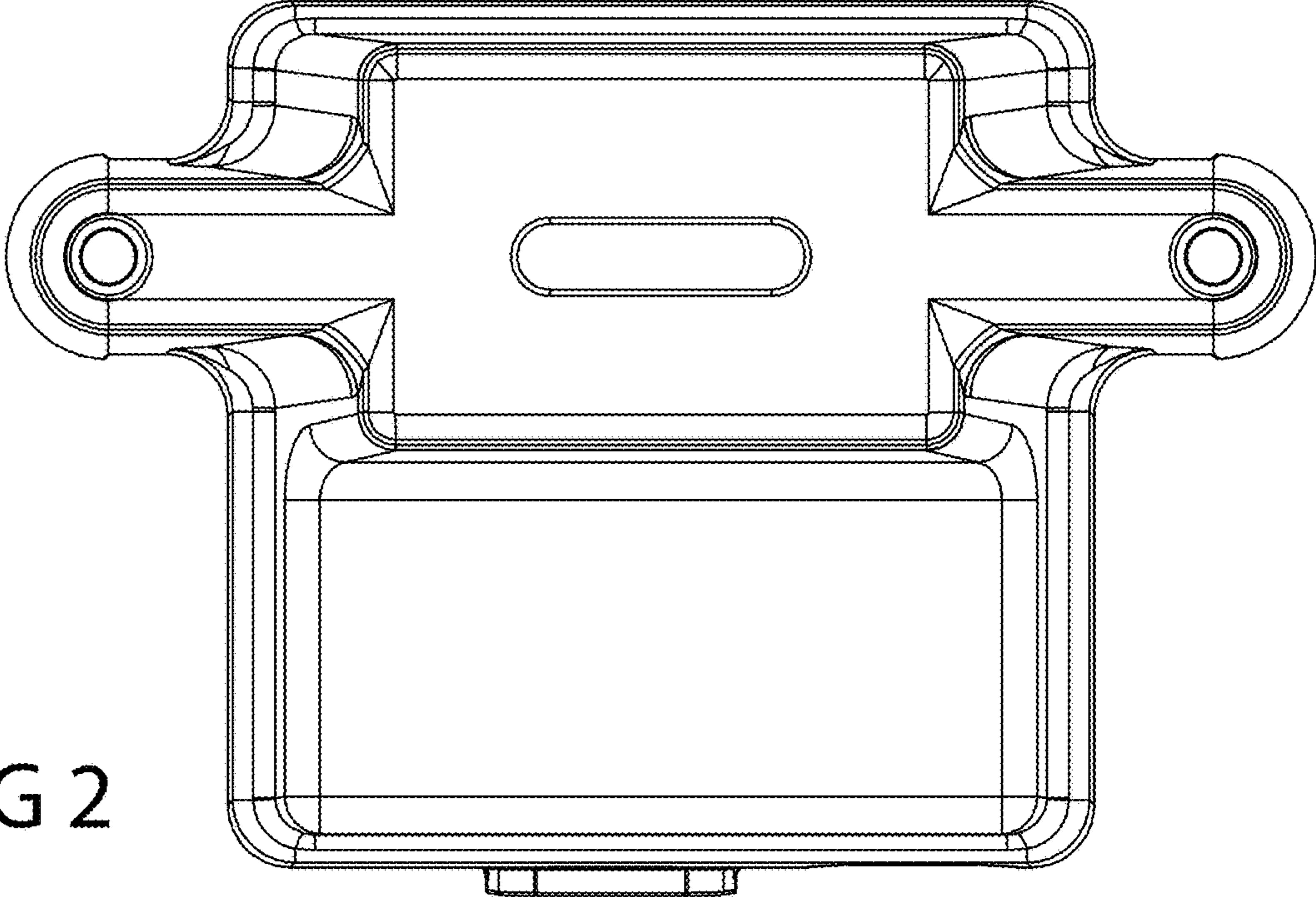


FIG 3

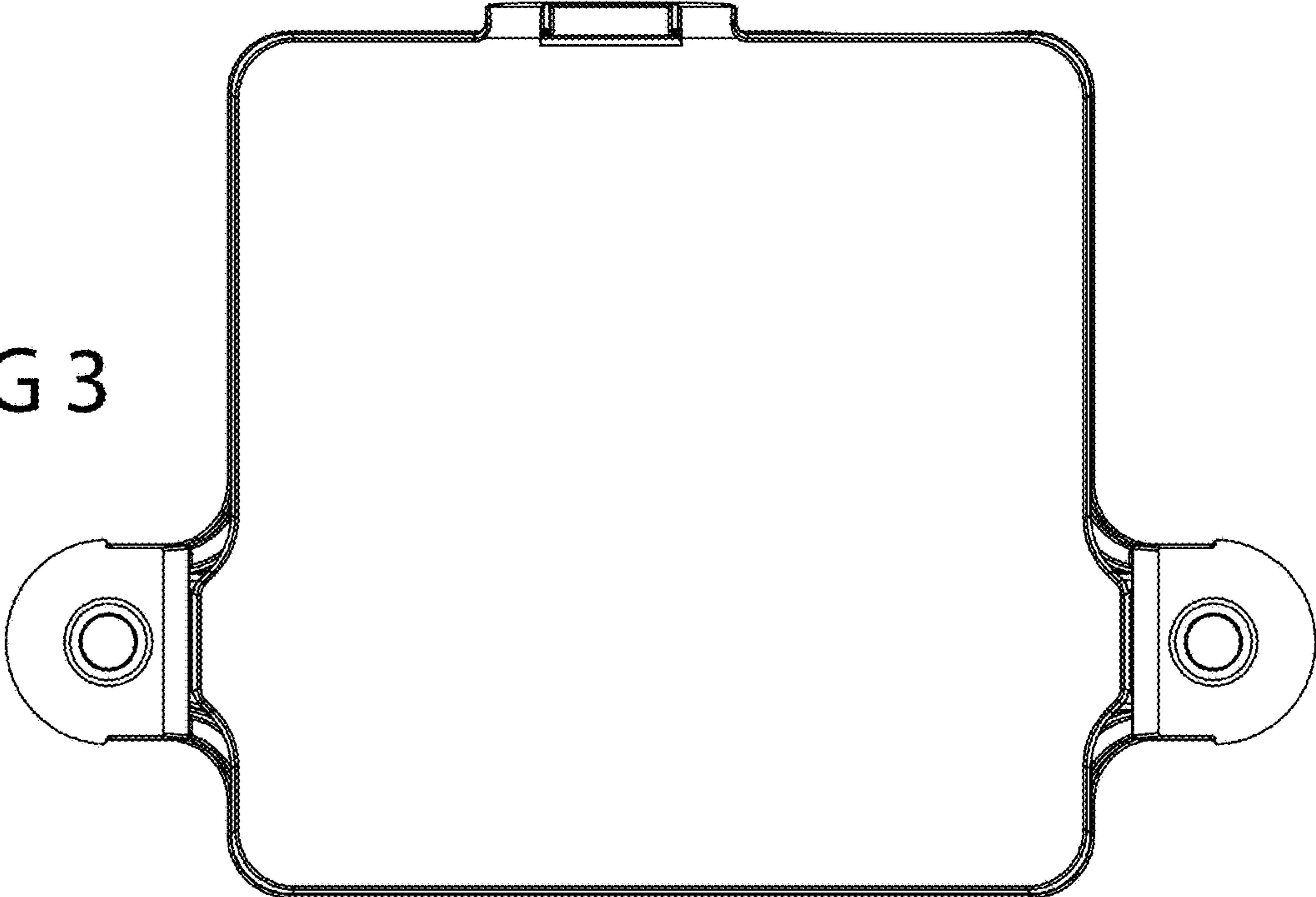


FIG 4

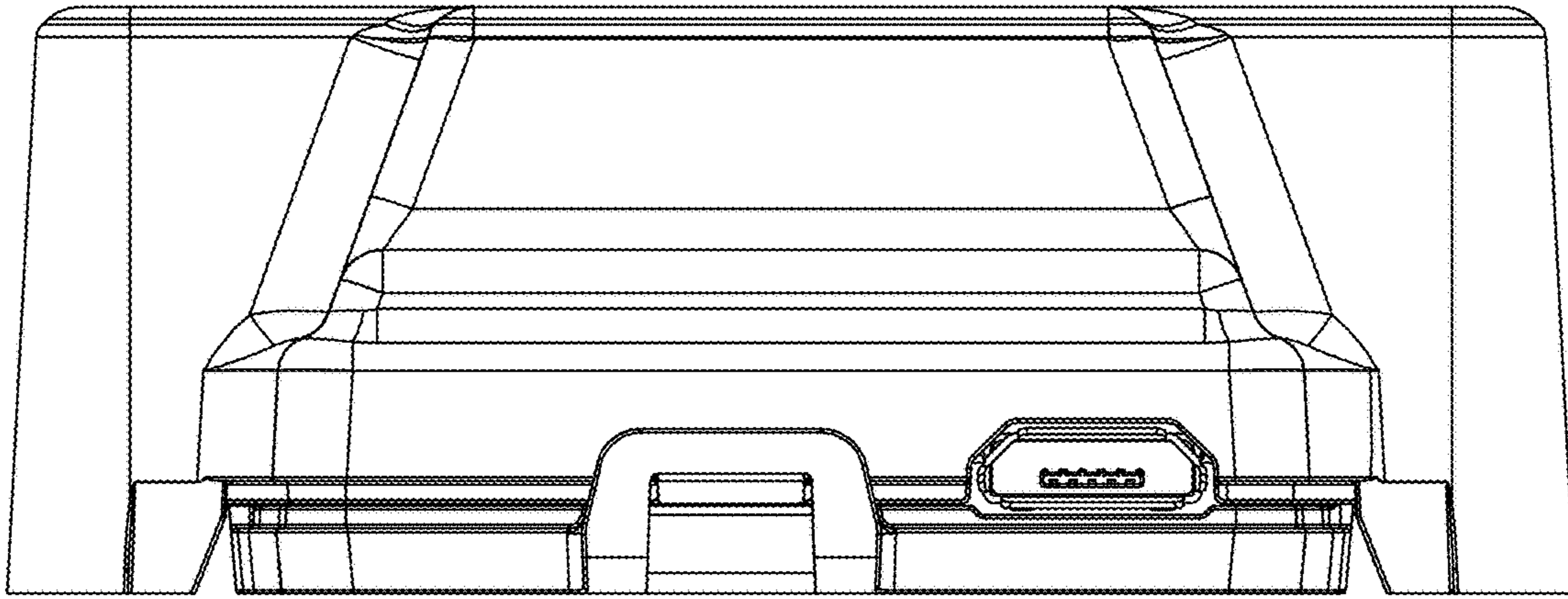


FIG 5

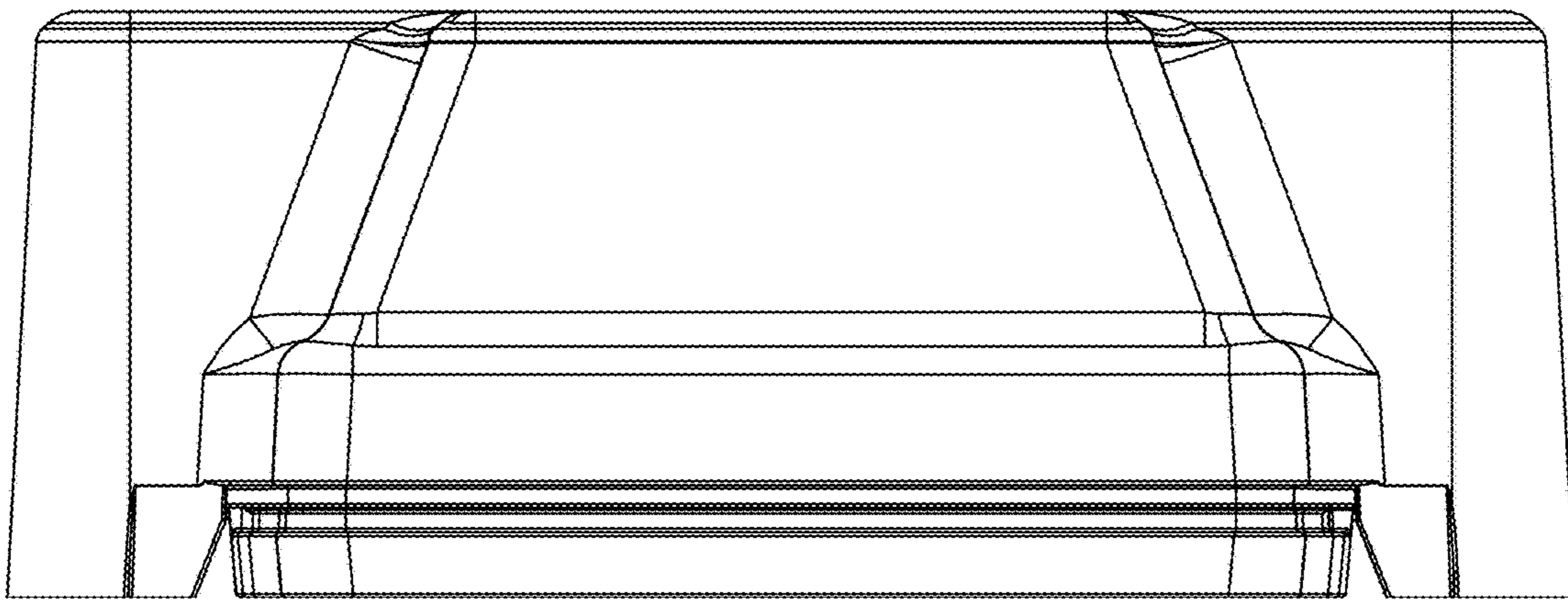


FIG 6

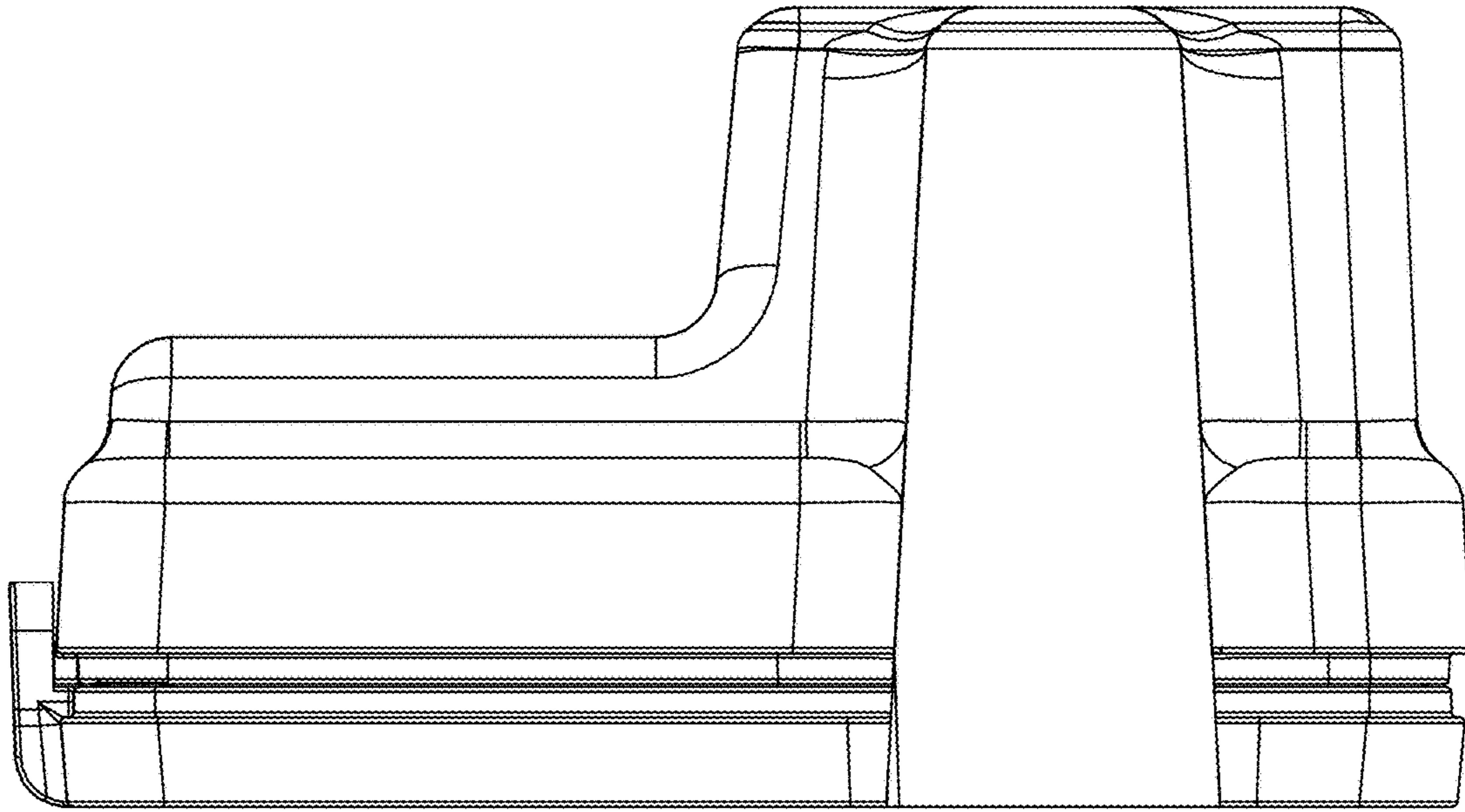


FIG 7

