

US00D794479S

(12) **United States Design Patent**
Zhang et al.

(10) **Patent No.:** **US D794,479 S**

(45) **Date of Patent:** **** Aug. 15, 2017**

(54) **DIGITAL CALIPER WITH LARGE DISPLAY**

(71) Applicants: **Yanchen Zhang**, San Clemente, CA
(US); **Meng Zhang**, San Clemente, CA
(US)

(72) Inventors: **Yanchen Zhang**, San Clemente, CA
(US); **Meng Zhang**, San Clemente, CA
(US)

(**) Term: **15 Years**

(21) Appl. No.: **29/556,750**

(22) Filed: **Mar. 3, 2016**

(51) **LOC (10) Cl.** **10-04**

(52) **U.S. Cl.**
USPC **D10/73**

(58) **Field of Classification Search**
USPC D10/73
CPC . G01B 3/20; G01B 3/205; G01B 5/24; G01B
3/18; G01B 3/008
See application file for complete search history.

(56) **References Cited**

U.S. PATENT DOCUMENTS

D233,787 S * 11/1974 Uchino D10/73
D268,739 S * 4/1983 Hampf D10/73

D280,301 S * 8/1985 Nishina D10/73
D313,562 S * 1/1991 Meyer D10/73
D334,719 S * 4/1993 Yeo D10/73
D556,064 S * 11/2007 Yang D10/73
D574,278 S * 8/2008 Zhang D10/73
D662,842 S * 7/2012 Zhang D10/73
D695,638 S * 12/2013 Zhang D10/73
D697,440 S * 1/2014 Zhang D10/73
D699,605 S * 2/2014 Biselx D10/73
D740,141 S * 10/2015 Zhang D10/73
D758,904 S * 6/2016 Edwards D10/73

* cited by examiner

Primary Examiner — Antoine D Davis

(74) *Attorney, Agent, or Firm* — Let Z. Kwan, Esq.

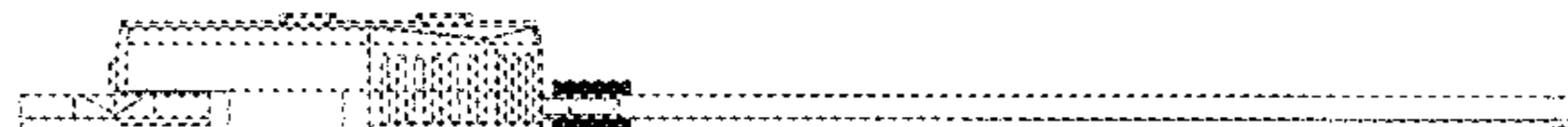
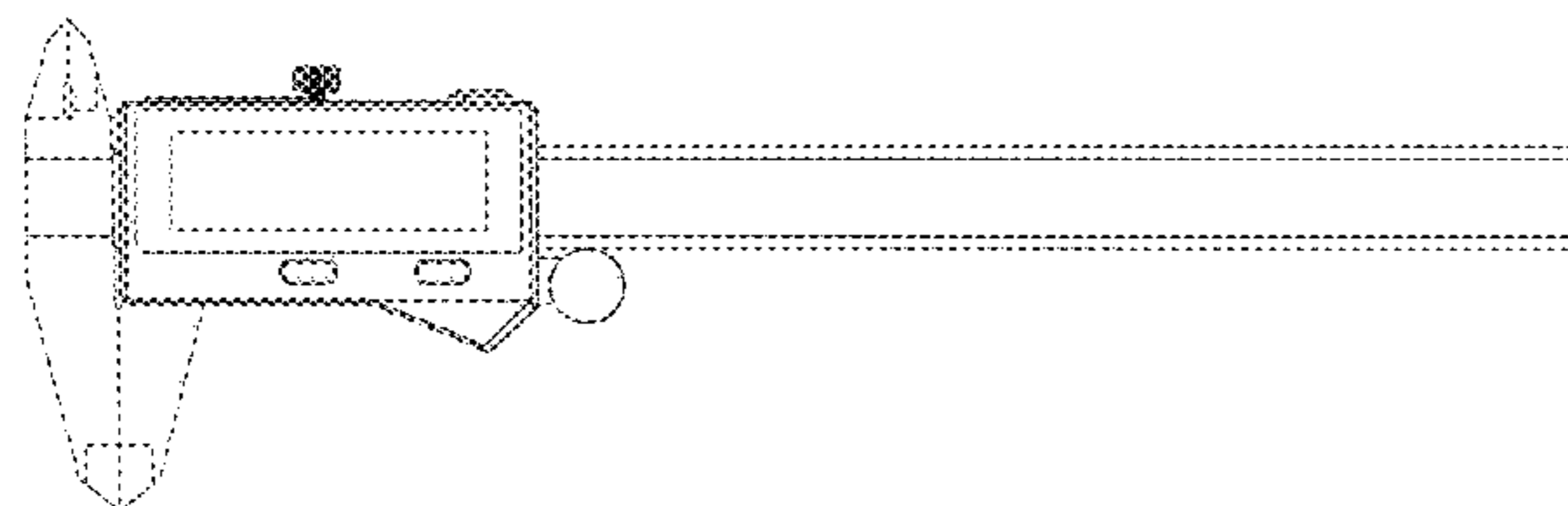
(57) **CLAIM**

The ornamental design for a digital caliper with large display, as shown and described.

DESCRIPTION

FIG. 1 is a top, right perspective view of a digital caliper with large display showing our new design;
FIG. 2 is a top plan view thereof;
FIG. 3 is a left side view thereof;
FIG. 4 is a bottom plan head on view thereof;
FIG. 5 is a right side view thereof;
FIG. 6 is a head on view thereof; and,
FIG. 7 is a rear end view thereof.

1 Claim, 4 Drawing Sheets



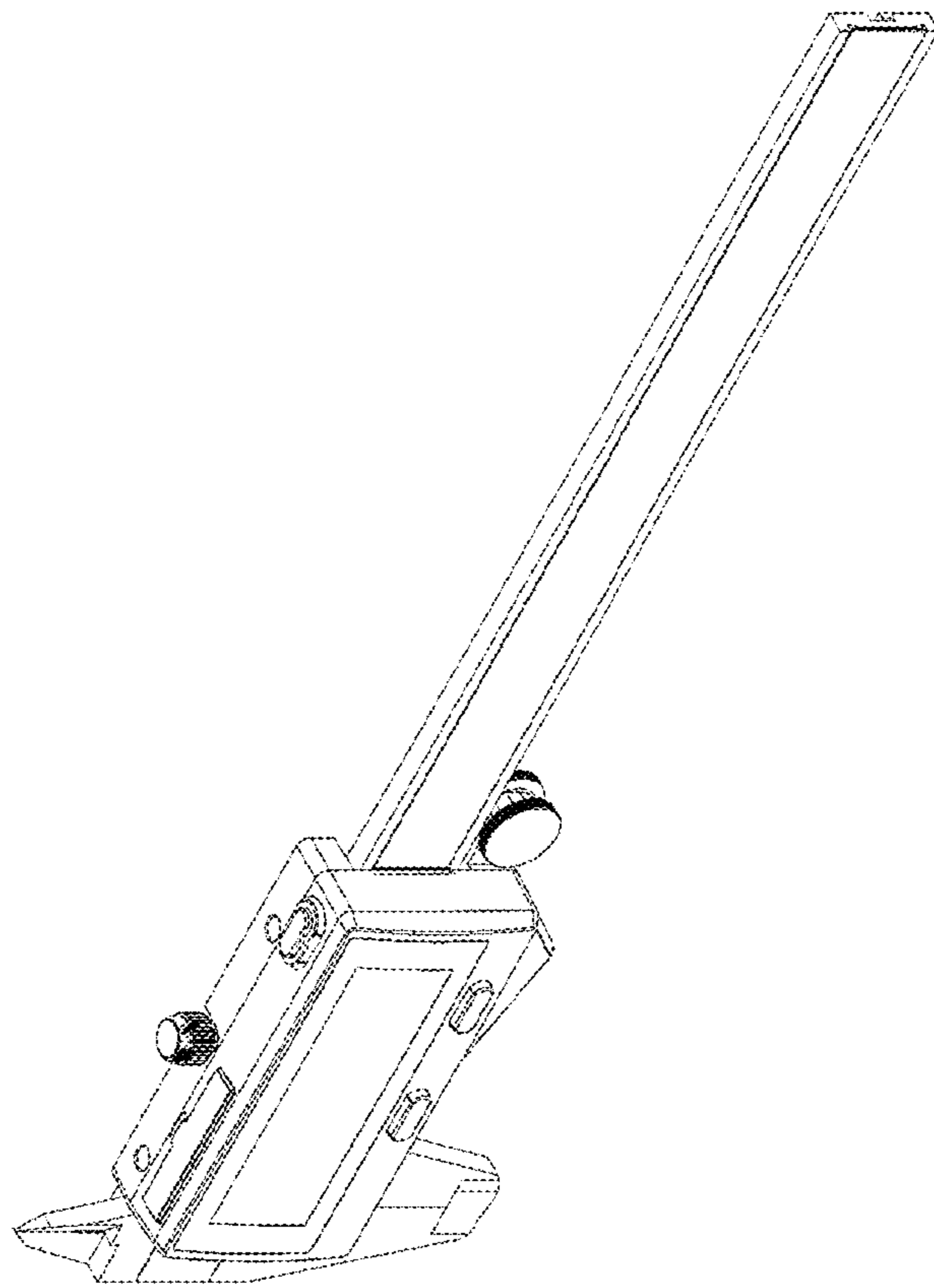


Fig. 1

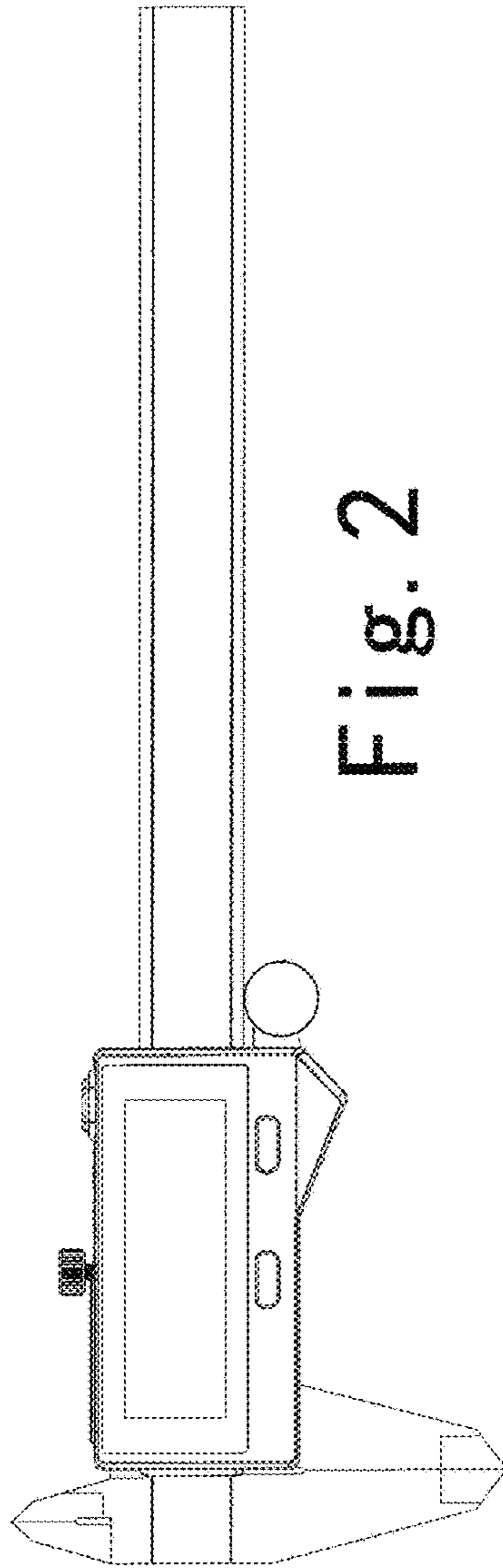


Fig. 2

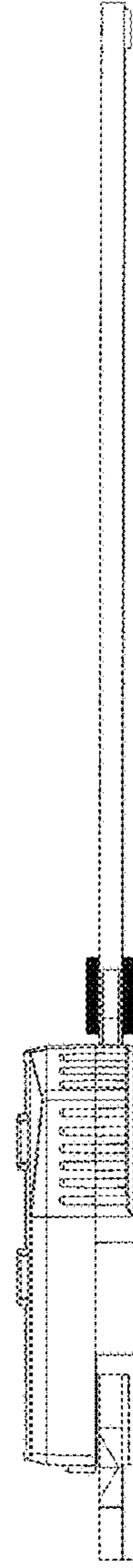


Fig. 3

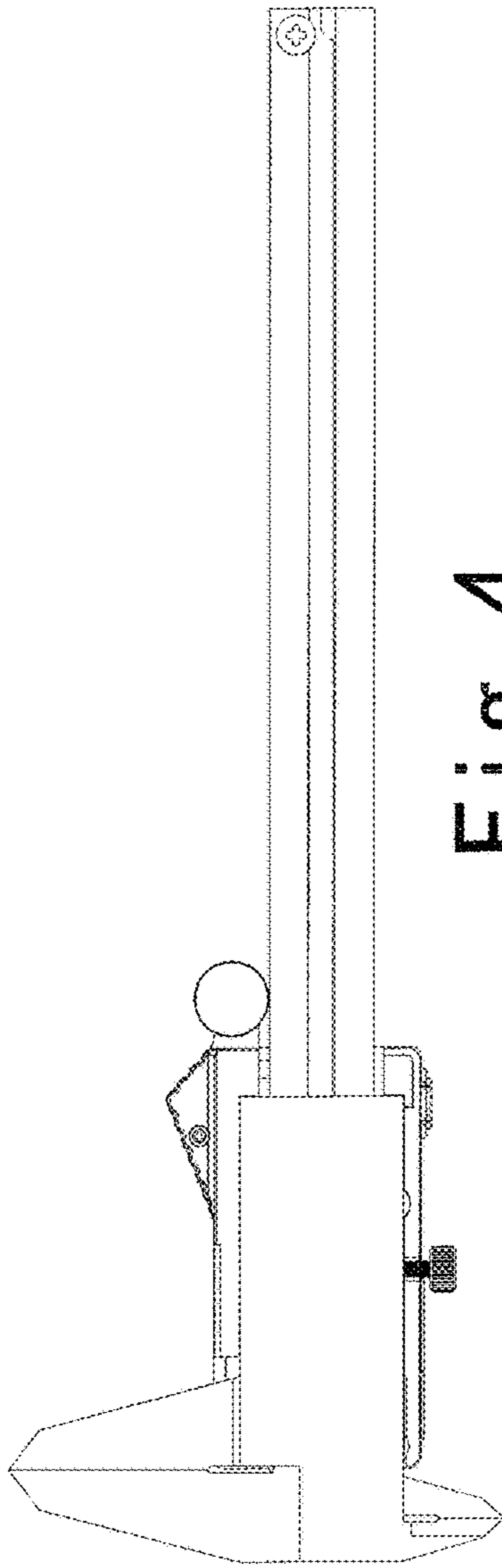


Fig. 4

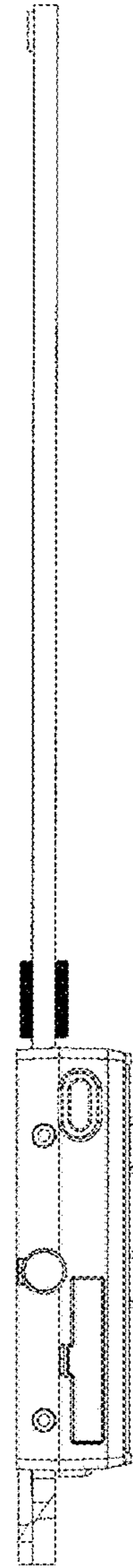


Fig. 5

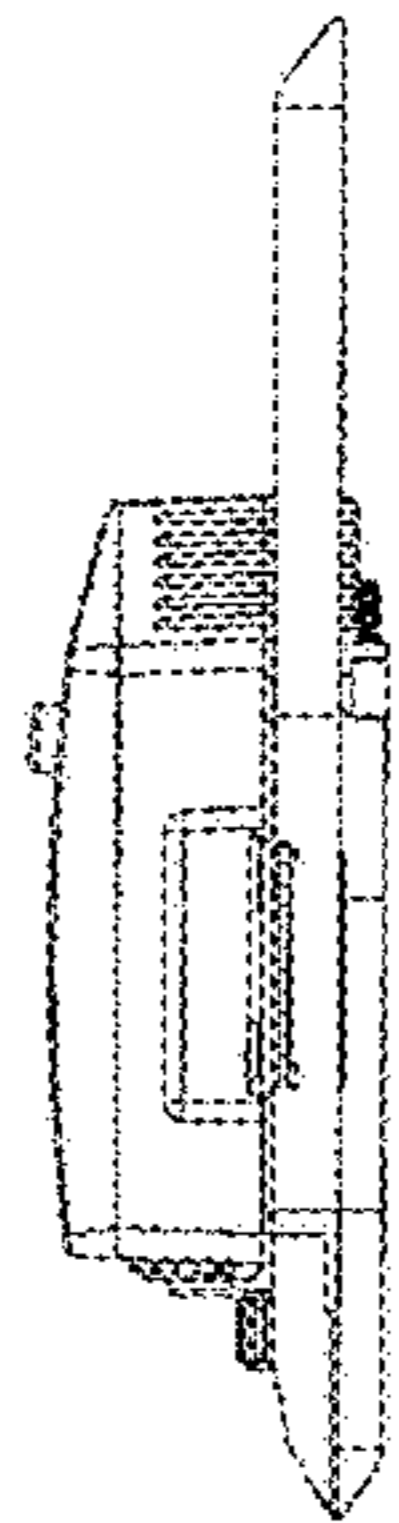


Fig. 6

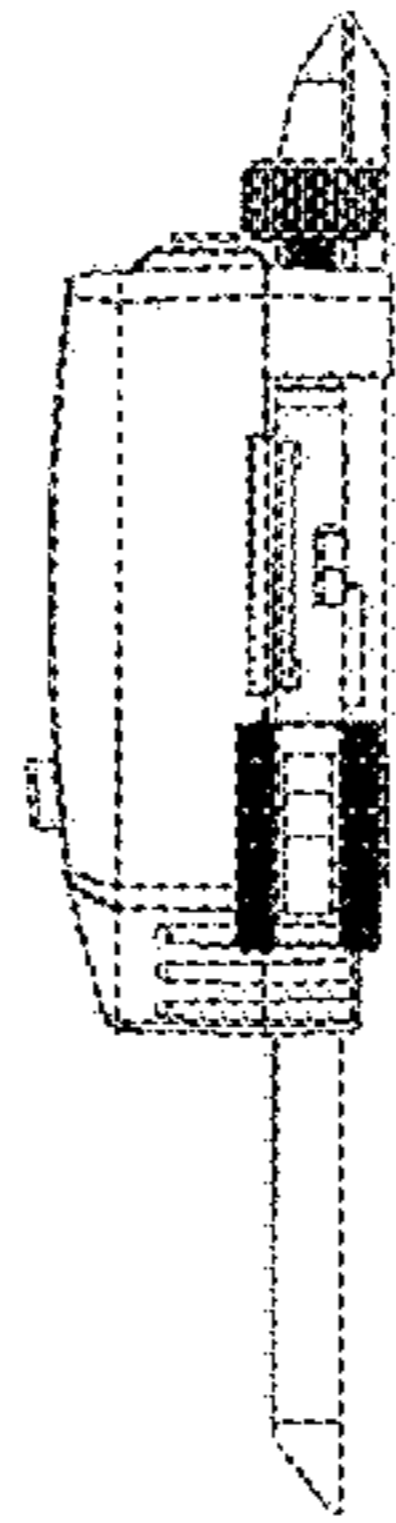


Fig. 7